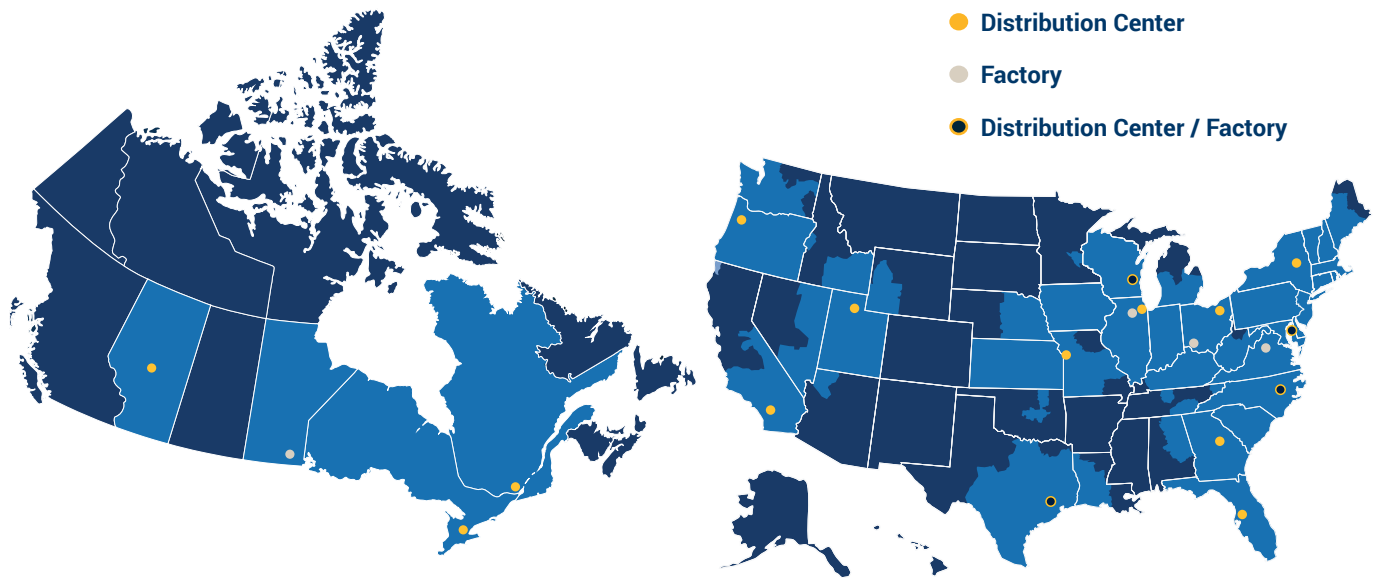


North American Manufacturing and Warehouse Locations



Factories:

Winnipeg, MB • Chestertown, MD • Cincinnati, OH • Dallas, NC • Houston, TX • Pewaukee, WI • Westmont, IL • Winchester, VA

Distribution Centers:

Edmonton, AB • Mississauga, ON • Pointe Claire, QC • Chestertown, MD • Dallas, NC • Gloversville, NY • Houston, TX • Itasca, IL • Kansas City, MO • Peachtree City, GA • Pewaukee, WI • Portland, OR • Rancho Cucamonga, CA • Salt Lake City, UT • Tampa, FL • Twinsburg, OH

Terms and Conditions

Taxes:

All prices are taxes extra.

Ordering:

All orders, whether received by phone, fax, or by email, must have the Dixon part number provided. Customers are asked to contact Customer Service if the correct Dixon part number cannot be provided.

Payment Terms:

1% 10, net 30.

Invoices are subject to a 1% discount when paid in full within 10 days of the invoice date. If early payment is not possible invoices are to be paid in full within 30 days of the invoice date.

Price Changes:

Dixon Group Canada Limited will give customers thirty (30) days' notice in the event of a price change.

Shipping Policy: Prepaid Freight:

All orders that qualify for prepaid freight will be prepaid FOB to the distributor's place of business (exceptions may be allowed at Dixon's discretion).

Orders of:

- \$1,500 net or more will ship prepaid (Ground) from the Canadian Dixon warehouse system (Edmonton, Montreal, Barrie). All backorders from a prepaid order will also be shipped prepaid directly from any Canadian warehouse with stock.
- \$3,000 net or more will ship prepaid (Ground) from the Canadian Dixon warehouse system (Edmonton, Montreal, Barrie), and/or from a single U.S. Dixon warehouse. Dixon Group Canada will clear shipments from the U.S. using our broker of choice, and we will therefore cover any brokerage or duties associated with the shipment.

Terms and Conditions(Cont.)

Collect Freight:

All orders of less than \$1,500 net will be shipped collect (FOB Dixon warehouse), as will any backorders related to the original order. If a mode of transport is requested where the freight must be prepaid the freight charge will be added to the invoice.

Direct Shipments from the U.S.:

All collect or prepaid and charge back shipments under \$300 net are subject to a \$20 Customs Handling Fee. Dixon Group Canada Limited will clear shipments from the U.S. using our broker of choice, and we will therefore cover any brokerage or duties associated with the shipment.

Inventory Returns:

Product shipped as ordered may be returned only with the permission of Dixon Group Canada. All requests for RGA's (Return Goods Authorization) are to be submitted at the servicing warehouse location.

1. Returns must be submitted within 1 year of original purchase date and accompanied by corresponding purchase order number.
2. Inventory returns are limited to a maximum of 5% of the previous year's purchases.
3. A Credit Memo will be issued subject to a minimum 15% handling fee (using list prices in effect at the time of purchase, less applicable discount).
4. Material must be in original packaging and in resalable condition. No "soft" goods (seals, gaskets, hoses, etc.) will be accepted. Plastic tubing products are non-returnable after 6 months from date of purchase. Items sold in box/bag quantity must be returned in box/bag quantity. Products with etching, stickers, paint, marker, etc. are not returnable.
5. No special-order, obsolete or overstocked items will be considered for return. All ADS/FloTech items must have a date code no older than 5 years.
6. All authorized items on the RGA must be shipped back complete, any unauthorized return parts will be scrapped.
7. For prompt processing separate and label parts in a bag/box, attach a copy of the issued RGA, mark bags or boxes with our RGA number and package well to protect the product. When packing product place heavier items on the bottom and lighter items on the top to help avoid damage in transit. Sanitary product must not rattle or shift, therefore we require all Sanitary products to be individually wrapped to prevent scratching.
8. All excess stock authorized for return must be shipped freight prepaid to the address on the RGA. Returns shipped collect or C.O.D. will be refused. Products returned to a branch location other than the designated location on the RGA will be forwarded at the customer's expense (either on the collect number or deducted from the credit balance).
9. Any unauthorized returned stock will be scrapped or shipped back to the customer freight collect as per the customer's choice. Customers have ten (10) days to advise Dixon Group Canada Limited as to the disposition of any product returned for credit but disallowed by Dixon Group Canada Limited.

Dixon Group Canada reserves the right to decline return of goods when market conditions or other circumstances make the acceptance of these returned goods overly burdensome.

Fuel Compatibility Chart	3	API Couplers	32
Petro Tanker Products	4-5	Groove Clamps	33
Supertanker™	6		
 		Fuel Nozzles	34-37
Fuel Tanker Loading/Unloading	7-13	Big mouth™.....	34
API valves.....	7	Fuel master™.....	34
API dust caps.....	8	Automatic shutoff.....	34
API drop adapters.....	8	Fueler 100™.....	35
Gravity drop adapters.....	9	Pressure.....	35
Dust plugs with handle.....	9	Gravity.....	35
TTMA flange.....	10-13	Ball nozzle.....	36
		Utility.....	37
 		Fuel Nozzles & Swivels	38-39
Fuel Delivery	14-17	NPT swivel.....	38
6500-Series.....	14	Hose shank swivel.....	38
6600-Series.....	15	Breakaways.....	39
Fuel delivery elbows.....	16	Automatic pressure relief caps.....	40
Fuel delivery connectors.....	16		
Side seal adapters.....	17	Cam & Groove Styles	41-42
Elbow height extensions.....	17		
Tank cabinet adapters.....	17	Cam & Groove Configurations	43-44
Coaxial vapor outlets.....	17		
 		Fuel Tanker Overfill Detection	45-81
Fuel Delivery/Vapor Recovery	18-23	Overfill detection products.....	46
Single point.....	18	FloTech® checkmate overfill/retain system.....	47
In-ground fuel station.....	19	Plug-n-play system.....	47-51
Dual point.....	20	Monitors with integrated dual sockets.....	47-48
Vapor return valves.....	21	Stand alone monitors.....	49
Vapor caps.....	21	Socket assemblies.....	49
Vapor hose couplings.....	22	Overfill sensors and probes.....	50
Vapor vents.....	22	Retain sensors.....	50
Outbreathing and inbreathing vents.....	22	Wiring harnesses.....	51
Air interlock valves.....	23	FloTech checkmate overfill detection.....	52-53
		(Black and white 2 wire) systems.....	52-53
 		Overfill detection systems.....	52
Fuel Tanker	24-25	Top detection only.....	52
Hose tube doors.....	24	Top and bottom.....	52
Grounding balls.....	24	Onboard monitor.....	53
Pipe caps.....	24	Overfill sensors.....	53
Ball valves.....	25	Retain sensors and probes.....	53
		FloTech ROM type overfill/retain detection.....	53
 		(Red and Black 2 Wire) systems.....	54-56
Dry Disconnects	26-31	Overfill detection systems.....	54
Cam & groove.....	26-29	Top detection only.....	54
Adapters.....	26-27	Top and bottom.....	54
Couplers.....	28-29	Onboard monitor.....	55
Bayonet.....	30-31	Overfill sensors and probes.....	55
Adapters.....	30	Retain sensors.....	56
Couplers.....	30		
Caps and plugs.....	31		
TTMA Flanged Breakaway Coupling.....	31		

Fuel Tanker Overfill Detection	45-81	API thermistor cord assemblies.....	69
FloTech FT151RL ROM link replacement parts	57	FloTech junction boxes.....	70-72
FloTech API optic overfill detection.....	58	Junction box cord assembly accessories	70
(5 Wire) systems.....	58-59	FloTech FT7000-Series rack control monitor	71
Overfill detection systems	58	Rack cord assemblies and parts.....	72
Top detection only.....	58	Reelcraft® static discharge reels.....	73
Onboard monitor	59	FloTech replacements parts.....	74-75
Overfill sensors and probes	59	Competitor cross reference chart	76-79
Stainless steel probe and sensor housings.....	60	Socket profiles.....	80-81
Sockets.....	61-64, 80-81	Replacement parts.....	82-173
Single sockets with aluminum hardcoat J-slot	61	Fuel tanker loading/unloading	82-87
Single sockets with GFL (guaranteed for life)	62	Fuel delivery.....	88-96
EZ-Cept sockets	63-64	Fuel delivery/Vapor recovery.....	97-108
Double sockets	63	Fuel tanker.....	109-112
Triple sockets.....	64	Dry disconnects	113-1141
Socket cleaner.....	64	Fuel swivels.....	142
Multi-wrench.....	64	Fuel nozzles.....	143-151
Grounding ball and bolt	65	Fuel tanker overfill detection	152-177
FloTech checkmate overfill/retain sensor dummy	65	Rack cords.....	176-177
FloTech trailer identification module	66		
Cables and strain reliefs	66		
Electronic equipment.....	67-68		
Optic system testers.....	67		
Trailer identification module chip readers	67		
FloTech truck testers	68		
FloTech FT590 series rack monitor testers and mini trailer overfill system	68		
API compatible loading rack cords.....	69		
API optic cord assemblies.....	69		

We Commit

- To ensure that internal and external customer needs are identified and that our products and services meet these needs
- To fully meet and exceed the requirements of the ISO 9001 Quality Program
- To strive for quality in each and every phase of our business
- To exceed competitor's quality
- To provide systems and training for all Dixon employees
- To create an environment that will allow each employee to do it right the first time, and accept the responsibility for quality in each and every task they perform
- That no employee will ever be called on to do anything morally, legally or ethically wrong

Dixon Bayco® Fuel Compatibility Chart

Biofuel Compatible

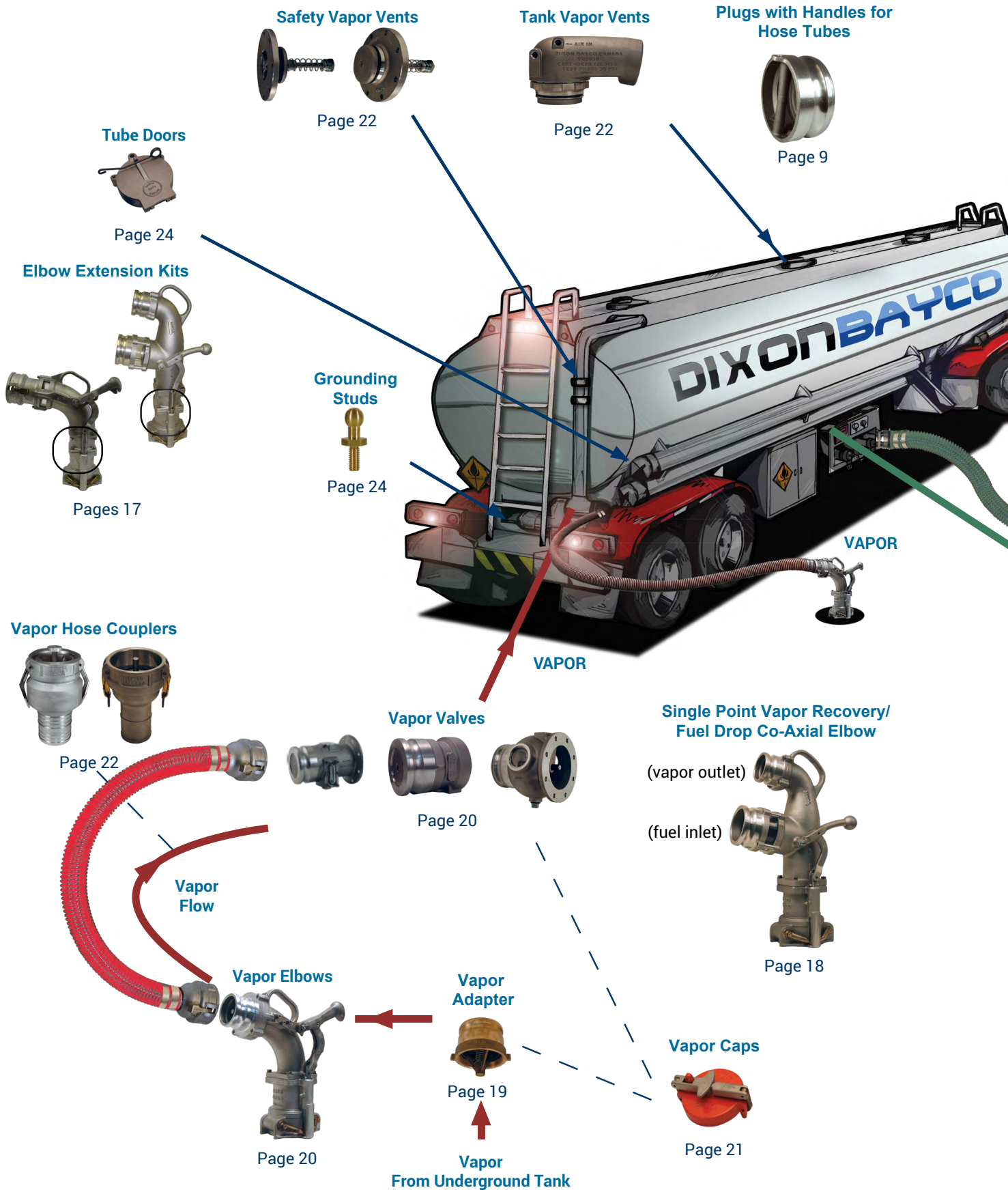
Fuel Product 1

Dixon Bayco Product	Page	Description	Gasoline	Diesel	ULSD	Crude Oil	E10	E20	E85	E100	B2	B20	B100
4500-Series	8	two piece API drop adapter with sight glass, Baylast™ seals	✓	✓	✓	✓	✓	✓	✓	✓	✓	✓	✓
4500V-Series	8	two piece API drop adapter with sight glass, FKM seals	✓	✓	✓	✓	NR	NR	NR	NR	✓	✓	✓
4530 & 4540	8	API drop adapter without sight glass, Baylast seals	✓	✓	✓	✓	✓	✓	✓	✓	✓	✓	✓
4530V & 4540V	8	API drop adapter without sight glass, FKM seals	✓	✓	✓	✓	NR	NR	NR	NR	✓	✓	✓
4530SG & 4540SG	8	one piece API drop adapter with sight glass, nitrile rubber seals	✓	✓	✓	NR2	✓	✓	✓	✓	✓	✓	NR
4530SGV & 4540SGV	8	one piece API drop adapter with sight glass, FKM seals	✓	✓	✓	✓	NR	NR	NR	NR	✓	✓	✓
5200SFI & 5200SFI-3	7	TTMA flanged sight glass with Baylast seals	✓	✓	✓	NR2	✓	✓	✓	✓	✓	✓	✓
5200SFIV & 5200SFIV-3	7	TTMA flanged sight glass with FKM seals	✓	✓	✓	NR2	NR	NR	NR	NR	✓	✓	✓
5204	7	API valve with sight glass, Baylast seals	✓	✓	✓	NR2	✓	✓	NR	NR	✓	✓	✓
5204C	7	API valve with sight glass and removable handle, Baylast seals	✓	✓	✓	NR2	✓	✓	NR	NR	✓	✓	✓
5204L	7	API load only valve with sight glass, Baylast seals	✓	✓	✓	NR2	✓	✓	NR	NR	✓	✓	✓
5204LNG	7	API load only valve without sight glass, Baylast seals	✓	✓	✓	NR2	✓	✓	✓	✓	✓	✓	✓
5204NG	7	API valve without sight glass, Baylast seals	✓	✓	✓	NR2	✓	✓	✓	✓	✓	✓	✓
5204NGC	7	API valve without sight glass, removable handle, Baylast seals	✓	✓	✓	NR2	✓	✓	✓	✓	✓	✓	✓
5204NGV	7	API valve without sight glass, FKM seals	✓	✓	✓	NR2	NR	NR	NR	NR	✓	✓	✓
5204SFI	7	API valve with inline tube sight glass, Baylast seals	✓	✓	✓	NR2	✓	✓	✓	✓	✓	✓	✓
5204SNG	7	API valve without sight glass, Baylast seals, stainless spring	✓	✓	✓	✓	✓	✓	✓	✓	✓	✓	✓
5204TNG	7	API valve without sight glass, PTFE seals	NR1	NR1	NR1	NR1	NR1	NR1	NR1	NR1	NR1	NR1	✓
5500BL	32	API rack coupling Baylast seals	✓	✓	✓	NR	✓	✓	✓	✓	✓	✓	NR
5500B	32	API rack coupling FKM-B seals	✓	✓	✓	NR	✓	✓	✓	✓	✓	✓	✓
5500G	32	API rack coupling FKM gft seals	✓	✓	✓	✓	✓	✓	✓	✓	✓	✓	✓
6000, 6500 & 6600 Series Drop Elbows	14-17	petroleum drop elbows and inlets, nitrile rubber seals	✓	✓	✓	NA	✓	✓	✓	✓	✓	✓	NR
Vapor or Product Hose Couplings	22	petroleum vapor hose couplings, nitrile rubber seals	✓	✓	✓	✓	✓	✓	✓	✓	✓	✓	NR
Vapor or Product Hose Couplings	22	petroleum vapor hose couplings, FKM seals	✓	✓	✓	✓	NR	NR	NR	NR	✓	✓	✓
VR4000 & VR4100 Series Vapor Valves	21	petroleum vapor valves	✓	✓	✓	✓	✓	✓	✓	✓	✓	✓	✓
VR6100, VR6500 Vapor Elbows	20	petroleum vapor elbows and inlets	✓	✓	✓	NA	✓	✓	✓	NA	✓	✓	NA
VR6030SQ & VR6035SQ	22	sequential vapor vent valves, Baylast seals	✓	✓	✓	✓	✓	✓	✓	✓	✓	✓	✓
300GTTFCB & 400GTTFCB	13	cork nitrile rubber TTMA gasket	✓	✓	✓	✓	✓	NR	NR	NR	✓	NR	NR
300GTTFBL & 400GTTFBL	13	TTMA Baylast gasket	✓	✓	✓	✓	✓	✓	✓	✓	✓	✓	✓
400GTTFK	13	Klinger® style TTMA gasket	✓	✓	✓	✓	✓	✓	✓	✓	✓	✓	✓
40321TF, 40322TF & 40323TF	13	PTFE soft core TTMA gaskets	✓	✓	✓	✓	✓	✓	✓	✓	✓	✓	✓
40364BL & 40323BL	13	Baylast sump gaskets	✓	✓	✓	✓	✓	✓	✓	✓	✓	✓	✓
FT151, FT202, FT101	50, 53, 59	FloTech™ sensors	✓	✓	✓	✓	✓	✓	✓	✓	✓	✓	✓
FT150S, FT100S	60	FloTech stainless steel sensors	✓	✓	✓	✓	✓	✓	✓	✓	✓	✓	✓

Notes

- NA Not Applicable (this product is not used in this application)
- NR Not Recommended
- NR1 Not Recommended cost and tendency for PTFE to become damaged from particulate material is not justified for this application
- NR2 Not Recommended crude oil contains acids that are corrosive to steel parts
- ULSD Ultra low sulfur diesel (ULSD) is a term used to describe a standard for defining diesel fuel with substantially lowered sulfur contents As of 2006, almost all of the petroleum based diesel fuel available in Europe and North America is of a ULSD type
- Crude Oil Oil in its natural state, as it comes from the ground. Crude oil can contain various other chemicals and gases, many of which can be corrosive.
- E10 10% Ethanol, 90% Gasoline
- E20 20% Ethanol, 80% Gasoline
- E85 85% Ethanol, 15% Gasoline
- E100 100% Ethanol
- B2 2% Bio diesel, 98% diesel (normally ULSD as above)
- B20 20% Bio diesel, 80% diesel (normally ULSD as above)
- B100 100% Bio diesel

¹ Petroleum companies often put additives in fuels, additives can affect compatibility with fittings and seals, Please contact Dixon® for more information. FKM GFLT is compatible with all liquids listed above and available from Dixon by special quotation. Baylast is a proprietary seal compound from Dixon



Aluminum TTMA Flanges, Flange Gaskets, Flange Adapters



Pages 12-13

Air Interlocks



Page 23

FloTech® Overfill Detection Monitors

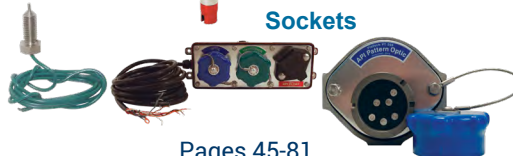
Sensors



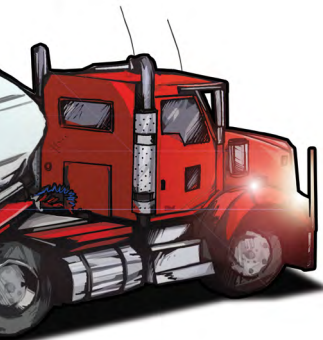
Ground Bolt



Sockets



Pages 45-81



API Valve Caps



Page 8

Dust Caps



Page 8

Drop Hose Fittings



DPL418 Page 134



Sight Glass



Page 10

API Valves



Load Only



Load/Unload

Page 7

Drop Adapters



Page 8

Fuel Flow

Drop Elbows



Page 14

Locking Fill Caps



Page 19

Top Seal Adapters



Page 19

FUEL To Underground Tank

Petroleum Tanker Products

Bayco® and FloTech brand products are engineered for dependable, long service life and designed for easy, low cost maintenance. Where possible, modular systems are incorporated with common parts to minimize inventory of repair items.

Dixon Bayco® Bottom Loading, Gasket and Seal Recommendations For Alternative Fuels

Dixon® has completed several years of testing and engineering evaluation to ensure our products are compatible with all modern motor fuels in use today.

Dixon uses a proprietary seal compound that we refer to by the trade name Baylast™. Baylast has been tested both in the lab and field with excellent results. Baylast was developed so we could offer a single seal material compatible with the wide range of alternative fuels used today. Many Dixon Bayco products have been using Baylast seals to ensure compatibility with alternate fuels including E100 Ethanol, E85 Ethanol, B2 Biodiesel, B100 Biodiesel, Ultra Low Sulfur Diesel, and standard refined gasoline and diesel products with excellent results. Our tests indicate that Baylast performs well down to **-40°F (-40°C)**.

There are mechanical and temperature considerations that must be understood to determine which seal material is suitable for a specific application. A good example is PTFE, it has a very wide chemical compatibility range but is a poor seal material for mechanical reasons. Using FKM-B, or FKM GF is one solution to ensure compatibility, but FKM has limitations regarding mechanical suitability for seal applications with moving joints. One critical and well known limitation to FKM is cold temperatures. FKM will become hard at low temperatures and seals with moving parts tend to weep liquid.

On the opposing page is our fuel compatibility chart which outlines our recommendation for each Dixon Bayco product and type of fuel.

Should you have any questions or need additional technical support, please call Dixon at 877.963.4966

Supertanker™ Program

The most reliable bottom loading tank package available...

Supertanker™



Bottom load system problems keeping you awake? Our simple guarantee let's you rest easy. Every last valve, vent, adapter, sensor...the complete Supertanker™ package.

- five-year warranty on hardware
- five-year warranty on FloTech™ overfill
- unmatched service in the industry
- we will come on-site, if that is what you need

canada.dixonvalve.com/supertanker

Real **solutions** for real challenges.

877.963.4966 • dixonvalve.com •    

©2018 Dixon Valve. All rights reserved.



The Right Connection®

Common Excellence • Uncommon Excellence • Uncommon Excellence • Uncommon Excellence • Uncommon Excellence • Uncommon Excellence • Uncommon Excellence

Visit canada.dixonvalve.com/supertanker for more information

API Valves

Application

- Used for bottom loading and unloading of petroleum tankers, API valves are typically mounted to the piping below each tank compartment, using the built-in 4" TTMA flange connection

Two styles are available:

- 1) Load only (without handle) which permits terminal loading only. Tanker unloading would be achieved through another tank connection
- 2) Load/unload (with a handle) which permits both terminal loading, and fuel unloading through the valve

Features

- Unique fluid flow sight level ¹
- Ergonomically curved handle operates on a short 62 degree stroke (removable on some models ¹)
- Any required maintenance is simplified, Dixon Bayco® API Valves can be completely rebuilt without the need to remove the valve from the tanker ¹.
- Nose ring is anodized hard coat aluminum for years of trouble free service. Nose ring can be rotated to provide a fresh connection surface
- Biofuel compatible, up to E100 (100% ethanol) ¹ and B100 (100% biodiesel)
- For detailed fuel compatibility, please refer to the chart shown on page 3
- Maximum working pressure: **75 PSI**
- Units with sight glass maximum: **140°F (60°C)**



Materials

- Aluminum body, and handle, ¹ anodized hard coat aluminum nose ring, stainless steel hardware, Baylast™ ¹, FKM ¹ and PTFE seals, ¹ nylon sight glass, ¹ acrylic full body sight glass

Approvals

- Manufactured to American Petroleum Institute standard API RP-1004, which allows for positive connection to drop adapters and rack couplers such as the Dixon Bayco 5300/5400-Series rack coupler

¹ Dependent upon part #, see part number list below for more details

Load/Unload Valves

Part #	Description	Temperature Range	Fuel Compatibility
5204NG	fixed handle with Baylast seals (no sight glass)	-40°F to 140°F (-40°C to 60°C)	gasoline and diesel, up to E100 and B100 biofuels
5204NGC	Canadian API with Baylast seals (no sight glass)		
5204	fixed handle, Baylast seals and sight glass		gasoline and diesel, up to E20 and B100 biofuels
5204P	fixed handle, Baylast seals and sight glass, drilled/tapped boss		
5204C	Canadian API with Baylast seals and sight glass		
5204SNG	fixed handle, Baylast seals and stainless steel spring (no sight glass)	-40°F to 200°F (-40°C to 93°C)	crude oil, gasoline and diesel, up to E20 and B100 biofuels
5204TNG	fixed handle with PTFE seals (no sight glass)		B100 biodiesel
5204NGV	fixed handle with FKM seals (no sight glass)		gasoline and diesel, up to B100 biodiesel
5204SFI	fixed handle, Baylast seals and inline full body sight glass	-40°F to 140°F (-40°C to 60°C)	gasoline and diesel, up to E100 and B100 biofuels
5204SFI-P	fixed handle, Baylast seals and inline full body sight glass, drilled/tapped		



5204



5204SFI

Load Only Valves

Part #	Description	Temperature Range	Fuel Compatibility
5204LNG	Baylast seals (no sight glass)	-40°F to 200°F (-40°C to 93°C)	gasoline and diesel, up to E100 and B100 biofuels
5204LSNG	Baylast seals (no sight glass) with stainless spring		crude oil, gasoline and diesel, up to E20 and B100 biofuels
5204L	Baylast seals and sight glass	-40°F to 140°F (-40°C to 60°C)	gasoline and diesel, up to E20 and B100 biofuels



5204L

NOTE: See page 13 for TTMA flange gaskets. See pages 84-85 for bill of materials and repair kits

Biofuel compatible, see fuel compatibility chart on page 3 for more information



API Dust Caps



5205



5000-24



5000-25



5000-24L

Part #	Description
5205	aluminum API cap with flat nitrile rubber gasket, with nylon quick release lever
5000-24 ¹	aluminum API cap with O-ring Baylast™ seal, with brass cam arms
5000-25	nylon API cap with flat nitrile rubber seal, with plated steel padlockable roller lever
5000-24L ¹	aluminum API cap with O-ring Baylast seal, with brass locking cam arms

¹ FKM seal available

NOTE: See pages 86-87 for repair parts

API Drop Adapters

Specification

- Maximum allowable operating pressure: **75 PSI**



4540



4540SG



4502



4540F



4504ASSM

Part #	Description	Temperature Range	Fuel Compatibility
4530	API to 3" drop adapter, Baylast O-ring seal	-40°F to 200°F (-40°C to 93°C)	gasoline and diesel, up to E100 and B100 biofuels
4530G	API to 3" drop adapter no sight glass, nitrile rubber flat gasket		
4530SG	API to 3" drop adapter, Baylast flat gasket, inline sight glass		
4540	API to 4" drop adapter, Baylast O-ring seal		
4540G	API to 4" drop adapter no sight glass, nitrile rubber flat gasket	-40°F to 140°F (-40°C to 60°C)	gasoline and diesel, up to E100 and B100 biofuels
4540V	API to 4" drop adapter, FKM O-ring seal		
4540SG	API to 4" drop adapter, Baylast flat gasket, one piece, inline sight glass		
4502	API to 4" drop adapter, nitrile rubber seals, two piece design with sight glass		
4540SGV	API to 4" drop adapter, FKM flat gasket, inline sight glass		
4540F	API to 4" drop coupler, nitrile rubber gasket		
4502ASSM	API to 4" drop adapter, Baylast O-ring with sight glass, two piece design	gasoline and diesel, up to E100 and B100 biofuels	
4504ASSM	API to 4" drop coupler, nitrile rubber gasket with sight glass, two piece design		
112054	4" replacement flat gasket	---	---

Heavy Duty Chain for API Gravity Drop Adapter



40447ST

Part #	Description
40447ST	17" heavy duty chain

Gravity Drop Adapter Dust Caps




4540DC



4540DC-1200

Part #	Description
4540DC	4" nylon lightweight cap
4540DC-1200	4" nylon lightweight cap with chain
VR4050PLRK1	replacement gasket

NOTE: Not intended to be pressurized 

Dust Plugs with Handle

Part #	Size	Description
300-DP-ALPH	3"	aluminum dust plug
400-DP-ALPH	4"	



300-DP-ALPH



400-DP-ALPH

TTMA Flanged Sight Flow Indicators

Features

- Due to the proprietary blending of petroleum products, Dixon® recommends that the thermoplastic tubing and the gaskets be immersion tested in the product to be handled to ensure compatibility (not compatible with crude oil)
- Durable cast aluminum housing replaces competitions all acrylic sight glass commonly found on tank trucks
- Larger I.D. 4-3/8" flow indicator allows tank truck flanged butterfly valves to connect to either end of the indicator
- Allows for visual identification of the fuel grade prior to opening the valve
- Works with tank truck flanged butterfly valves found on gasoline trucks
- Low cost sight glass tube can be easily replaced



Specifications

- Maximum working pressure: **150 PSI**, TTMA flanges: **100 PSI**



5200-SFI shown mounted on petroleum tank



5200-SFI

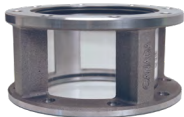


5200-SPC

Part #	Description	Temperature Range	Fuel Compatibility
5200-SFI-3	3" TTMA flange sight flow, 1-3/4" width, 3-1/2" I.D.	-40°F to 140°F (-40°C to 60°C)	gasoline and diesel, up to E100 and B100 biofuels
5200C-SFI-3 ¹	3" TTMA flange sight flow, 1-3/4" width, 3-1/2" I.D., stainless retain ring		gasoline and diesel, up to E100 and B100 biofuels, crude oil
5200-SFI	4" TTMA flange sight flow, 1-3/4" width, 4-3/8" I.D.		gasoline and diesel, up to E100 and B100 biofuels
5200-SFIV	4" TTMA flange sight flow, 1-3/4" width, 4-3/8" I.D., FKM seals		gasoline and diesel up to E100 and B100 biofuels, crude oil
5200C-SFI ¹	4" TTMA flange sight flow, 1-3/4" width, 4-3/8" I.D., stainless retain ring		all fuels
5200-SPC	4" aluminum TTMA pattern solid flanged spacer (no sight glass)		

¹ Compatible with crude oil

NOTE: Maximum flange bolt torque is 200 in-lbs (inch pounds)



5201-SFI

Part #	Description	Fuel Compatibility
5201-SFI	4" TTMA flange sight flow, 3-1/4" width, 4-3/8" I.D.	gasoline and diesel, up to E100 and B100 biofuels
5201-SFI-3	3" TTMA flange sight flow, 3-1/4" width, 3-1/2" I.D.	



5201-CA

Part #	Description	Fuel Compatibility
5201CA	4" hose inline sight glass with 4" cam & groove adapter x coupler	gasoline and diesel, up to E100 and B100 biofuels
5201CA-3	3" sight flow indicator 3" coupler x 3" adapter	
5201CC	sight flow indicator 4" coupler x 4" coupler	

NOTE: See page 90 for sight glass repair kits

Product Indicators

Features

- Weight: 1-1/2 lbs
- Dimensions: 8" x 3" x 2-1/2" (L x W x H)
- Capable of displaying 8 user selectable product identification labels
- Can be mounted in typical locations near API with standard bolt hole pattern
- Customizable label sheets are sold in packs of 10

Material

- Polished cast aluminum



DBPI080



DBPI080-MINI

Part #	Description
DBPI080	petroleum product indicator (includes empty, ethanol, diesel, U.L.S.D., reg. unleaded, plus unleaded, premium unleaded, jet fuel)
40544AL	product indicator mounting bracket for DBPI080
40462VY	product indicator base label
DBPI080-MINI	mini petroleum product indicator, 4.5" x 2.125" x 2.25", weight 10 oz

TTMA Flanges



TTF4AL-4MT



TTF4AL-4EMT



TTF4AL-4FT



TTF4AL



TTF400SP

Part #	Description
TTF3AL-3MT	3" TTMA flange x 3" male NPT, 2-1/2" overall length
TTF4AL-3MT	4" TTMA flange x 3" male NPT, 2-1/2" overall length
TTF4ALHC-3MT	4" TTMA flange x 3" male NPT, 2-1/2" overall length, hardcoated
TTF4AL-3EMT	4" TTMA flange x 3" male NPT, 5-1/2" overall length
TTF4AL-3FT	4" TTMA flange x 3" female NPT, 2-1/2" overall length
TTF4AL-4MT	4" TTMA flange x 4" male NPT, 2-1/2" overall length
TTF4ALHC-4MT	4" TTMA flange x 4" male NPT, 2-1/2" overall length, hardcoated
TTF4AL-4EMT	4" TTMA flange x 4" male NPT, 5-1/2" overall length
TTF3AL-3FT	3" TTMA flange x 3" female NPT, 2-1/2" overall length
TTF4AL-4FT	4" TTMA flange x 4" female NPT, 2-1/2" overall length
TTF3AL	3" TTMA butt weld on flange
TTF4AL	4" TTMA butt weld on flange
TTF300SP	3" TTMA socket weld on flange
TTF400SP	4" TTMA socket weld on flange

Cam & Groove x TTMA Flanges



400-ALT-AL



4022ALTAL



400-DLT-AL



4022DLTAL

Part #	Description
300-ALT-AL	3" cam & groove adapter (straight) x 3" TTMA flange
3040ALTAL	3" cam & groove adapter (straight) x 4" TTMA flange
400-ALT-AL	4" cam & groove adapter (straight) x 4" TTMA flange
40022ALTAL	4" cam & groove adapter (22-1/2°) x 4" TTMA flange
600-ALT-AL	6" cam & groove adapter (straight) x 6" TTMA flange
300-DLT-AL	3" cam & groove coupler (straight) x 3" TTMA flange
3040DLTAL	3" cam & groove coupler x 4" round tank truck flange
400-DLT-AL	4" cam & groove coupler (straight) x 4" TTMA flange
40022DLTAL	4" cam & groove coupler (22-1/2°) x 4" TTMA flange
600-DLT-AL	6" cam & groove coupler (straight) x 6" TTMA flange

Dimensions of Tank Truck Flanges (TTMA Drilling)

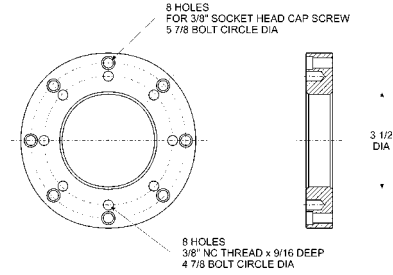
Nominal Pipe Size	Flange O.D.	Thickness ¹	Diameter of Bolt Circle	Number of Bolts	Diameter of Bolt Holes	Diameter of Bolts
3"	5-5/8"	3/8"	4-7/8"	8	7/16"	3/8"
4"	6-5/8"		5-7/8"	8		
6"	8-7/8"		8-1/8"	12		

¹ Listed thickness is for aluminum flanges

TTMA Flange Reducer



4443

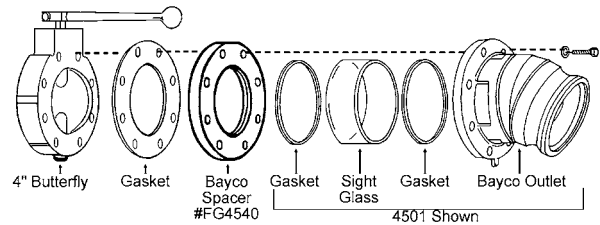


Part #	Description
4443	4" TTMA x 3" TTMA reducer flange

TTMA Butterfly Valve Spacer



FG4540



Part #	Description
FG4540	4" TTMA flange spacer

API and TTMA Flange Gaskets



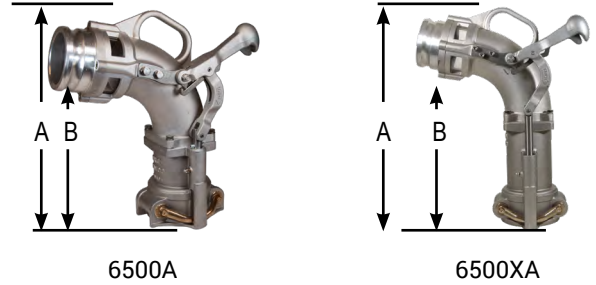
Part #	Size	Description	O.D.	I.D.	Thickness	Bolt Circle	Fuel Compatibility
200GTTFBL	2"	TTMA-Baylast™	4-1/2"	2-5/8"	1/8"	3-3/4"	gasoline and diesel, up to E10 and B2 biofuels
300GTTFCB	3"	TTMA-cork/nitrile rubber	5-5/8"	3-1/2"	1/8"	4-7/8"	
300GTTFBL		TTMA-Baylast		3-5/8"			
300GTTFK		TTMA Klinger nylon		3-1/2"			
40321TF	4"	TTMA-PTFE with soft fiber core	5-29/32"	3-1/2"	3/32"	6-1/4"	gasoline and diesel, up to E100 and B100 biofuels
40364TF		API sump-PTFE with soft fiber core	7-1/4"	5"	5/32"		
40364BL		API sump-Baylast			1/8"		
400GTTFCB	4"	TTMA-cork/nitrile rubber	6-5/8"	4-9/16"	1/8"	5-7/8"	gasoline and diesel, up to E10 and B2 biofuels
400GTTFBL		TTMA-Baylast		4-5/8"			
400GTTFK		TTMA Klinger nylon		4-9/16"			
40322TF		TTMA-PTFE with soft fiber core	6-7/8"	4-5/8"	3/32"	7-1/4"	gasoline and diesel, up to E100 and B100 biofuels
40323TF		API sump-PTFE with soft fiber core	8-3/8"	5-7/8"	5/32"		
40323BL		API sump-Baylast	8-1/4"	6-1/8"	1/8"		

6500-Series - Fuel Delivery Elbows

Features

6500-Series

- Heavy-duty bolt on arm attachment plate increases the strength of the lever pivot. There are no impact susceptible pivot bolts, or casting bosses to break
- Arm hinge points use a double yoke design, which increases the arm strength
- Built in heavy-duty, locking mechanism prevents accidental elbow disconnections while the elbow is in service. No need for the operator to engage the locking mechanism, just move the handle to the closed position and the lock automatically engages. Releasing the lock is equally as easy, just grip the handle and lift. The locking mechanism has lots of free clearance so it will not be affected by dirt, ice or snow. (Elbow disconnections can occur on other elbow designs, from either operators bumping the release mechanism, or from a hydraulic surge when the underground storage tank overfill valve slams shut)
- Ergonomic handle can be mounted on either side of the elbow



Part #	Description	A Overall Height	B Ground Clearance	Fuel Compatibility
6500	standard height full feature elbow only, without inlet connection	17-3/4"	10-7/8"	gasoline and diesel, up to E100 and B20 biofuels
6500C	standard height full feature elbow with 3" adapter inlet			
6500A	standard height full feature elbow with 4" adapter inlet			
6500B	standard height full feature elbow with 3" coupler inlet			
6500D	standard height full feature elbow with 4" coupler inlet			
6500T	elbow with locking handle and anti-spill sleeve without inlet connection	21"	13-3/4"	
6500AT	elbow with locking handle, 4" adapter inlet and anti-spill sleeve			
6500X	tall height full feature elbow only, without inlet connection			
6500XC	tall height full feature elbow with 3" adapter inlet			
6500XA	tall height full feature elbow with 4" adapter inlet			
6500XB	tall height full feature elbow with 3" coupler inlet			
6500XD	tall height full feature elbow with 4" coupler inlet			
6500XT	tall height full feature elbow with locking handle, no inlet, with anti-spill sleeve			
6500XAT	tall elbow with locking handle, 4" adapter inlet and anti-spill sleeve			

NOTE: See page 92-93 for repair kits and replacement parts
 Product instruction sheets and technical data can be viewed on our website at canada.dixonvalve.com



6600-Series - Auto Shut Off Elbow Release



Applications

- Most underground storage tanks (UST) have an automatic overfill prevention device located in the standpipe under the fill adapter. This automatic overfill device has an internal valve that is tripped closed when the UST fuel level reaches a high level. When this overfill valve is tripped the internal valve can slam shut causing a pressure surge. If the driver neglects to properly lock the elbow on the fill adapter and an overfill occurred this can in turn cause the elbow to pop off the fuel inlet.

Features

- Rugged modular cast aluminum construction, with internal automatic shut off valve
- Many parts are common throughout the Bayco elbow line, making any necessary maintenance a breeze
- Grease nipple enables the greasing of the lever stem, and acetal bushings help keep everything moving smoothly, even in the harshest of conditions
- Inlet probes are standard, and are available with or without outlet poppet valves
- Bolt on outlets allow the outlet to be changed without having to worry about galling of threads. See below for replacement outlets
- Same rugged design as our 6500-Series elbows
- Biofuel vapor compatible, up to E85 (85% Ethanol) and B20 (20% bio diesel). For detailed fuel compatibility, please refer to the chart shown on page 3

Materials

- Aluminum body and handle, bronze locking arms, stainless steel hardware, Baylast™ and nitrile rubber seals, and acetal bushings

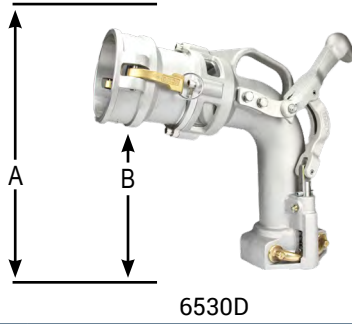
Specification

- Manufactured to connect to in ground fuel station vapor adapters and cam & groove vapor hose connections

Part #	Description
6600LA	shut off elbow, 4" adapter inlet left hand, with flapper
6600LB	shut off elbow, 3" coupler inlet left hand, with flapper
6600LC	shut off elbow, 3" adapter inlet left hand, with flapper
6600LD	shut off elbow, 4" coupler inlet left hand, with flapper
6600RA	shut off elbow, 4" adapter inlet right hand, with flapper
6600RB	shut off elbow, 3" coupler inlet right hand, with flapper
6600RC	shut off elbow, 3" adapter inlet, right hand with flapper
6600RD	shut off elbow, 4" coupler inlet, right hand, with flapper
6610LA	shut off elbow, 4" adapter inlet left hand, with no flapper
6610LB	shut off elbow, 3" coupler inlet left hand, with no flapper
6610LC	shut off elbow, 3" adapter inlet left hand, with no flapper
6610LD	shut off elbow, 4" coupler inlet left hand, with no flapper
6610RA	shut off elbow, 4" adapter inlet right hand, with no flapper
6610RB	shut off elbow, 3" coupler inlet right hand, with no flapper
6610RC	shut off elbow, 3" adapter inlet, right hand with no flapper
6610RD	shut off elbow, 4" coupler inlet, right hand, with no flapper

NOTE: To prevent a possible spill Bayco 6600-Series elbow has an internal valve that will prevent a spill. Should the elbow pop off the fill adapter an internal valve will automatically close preventing the contents of the hose from spilling.

Fuel Delivery Elbows



6530D



6530LA

Part #	Description	A	B	Fuel Compatibility
6530A	3" tightfill elbow with 4" inlet adapter	15"	9-1/2"	gasoline and diesel, up to E100 and B20 biofuels
6530B	3" tightfill elbow with 3" coupler inlet			
6530C	3" tightfill elbow with 3" inlet adapter			
6530D	3" tightfill elbow with 4" coupler inlet			
6530LA	3" tightfill elbow with 4" inlet adapter and locking handle			

Fuel Delivery Connectors

Straight Drop Fuel Delivery Connectors

Part #	Description	Overall Height
6303	4" top seal with 3" adapter inlet	17-5/8"
6304	4" top seal with 4" adapter inlet	16-3/16"
6303NPT	4" top seal with 3" male NPT inlet	19-3/4"
6304NPT	4" top seal with 4" male NPT inlet	19-3/16"



6304NPT

NOTE: See page 93 for repair kits and replacement parts

Fuel Delivery Elbow Inlets

Part #	Description	Fuel Compatibility
6000-9	fuel delivery gasket repair kit	gasoline and diesel, up to E100 and B20 biofuels
6000-16	3" adapter inlet	
6000-17	4" adapter inlet	
6000-15	3" coupler inlet	
6000-14	4" coupler inlet	
6000-20	4" female NPT inlet	



6000-17



6000-14



6000-20

NOTE: These inlets are for 6000, and 6500-Series fuel delivery elbows only, for the 6400-Series coaxial elbow inlets, refer to the inlets shown on page 17

Side Seal Fuel Delivery Elbows

Part #	Description
6000AS	side seal elbow without inlet connection
6000ASC	side seal elbow with 3" adapter inlet
6000ASA	side seal elbow with 4" adapter inlet
6000ASB	side seal elbow with 3" coupler inlet
6000ASD	side seal elbow with 4" coupler inlet
6000AST	side seal elbow without inlet connection, with anti-spill sleeve
6000ASAT	side seal elbow with 4" adapter inlet, with anti-spill sleeve
6000ASAL	side seal elbow with 4" adapter inlet, with locking ring
6000ASR	optional add on locking ring, prevents levers from moving



6000ASC

NOTE: See page 96 for repair kits and replacement parts

Side Seal to Top Seal Adapter



6000SSA

Part #	Description	Fuel Compatibility
6000-SSA	side seal to top seal connection adapter	gasoline and diesel, up to E100 and B20 biofuels

Elbow Height Extensions



6000EXT

spacer kits shown assembled to elbows



Part #	Description
6000EXT	3" height extension kit for 6500, VR6000 and VR6500 elbows. Kit includes: body and stem extensions, 4 stainless steel nuts and bolts, and stem pin
6400EXT	3" height extension kit for 6400 coaxial elbows. Kit includes: body and stem extensions, 4 stainless steel nuts and bolts, stem pin and replacement vapor tube

Tank Cabinet "Dummy" Weld-on Adapters



AL4051-BORE



400AWSPAL

Part #	Description
AL4051-BORE	4" fuel delivery: cabinet weld-on adapter blank
400AWSPAL	4" vapor recovery: cabinet weld-on adapter blank

Coaxial Elbow - Replacement Fuel Inlets and Vapor Outlets



6000-17C



6000-26C



6000-14C

Part #	Description
6000-16C	3" adapter fuel inlet
6000-17C	4" adapter fuel inlet
6000-15C	3" coupler fuel inlet
6000-14C	4" coupler fuel inlet
6400-4	3" adapter vapor outlet
6000-26C	3" male NPT vapor outlet

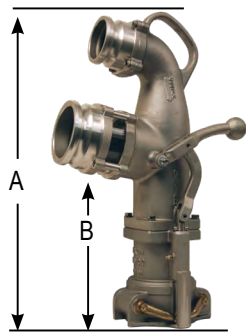
NOTE: These inlets are for 6400-Series coaxial elbows only, for 6000, and 6500-Series delivery elbows, refer to the inlets shown on page 16

Single Point Coaxial - Delivery/Vapor Recovery Elbows

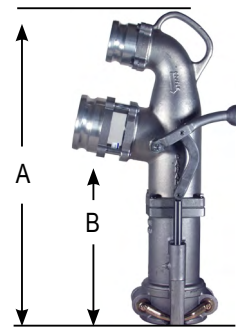
Features

- Available in standard or tall heights to accommodate deep fill boxes
- Rugged modular cast aluminum construction
- Many parts are common throughout the Bayco® elbow line, making any necessary maintenance a breeze
- Grease nipple enables the greasing of the lever stem, and acetal bushings help keep everything moving smoothly, even in the harshest of conditions
- Bolt-on inlets allow the inlet to be changed without having to worry about galling of threaded inlets. See below for replacement inlets
- Ball handle lever enables the operator to easily and positively engage the solid bronze locking arms, onto the underground adapter
- Top connection is the vapor outlet; lower connection is the fuel delivery inlet
- Biofuel compatible up to E100 (100% ethanol) and B20 (20% biodiesel). For detailed fuel compatibility, please refer to the chart shown on page 3

NOTE: Coaxial inlets are not interchangeable with other Bayco elbow inlets




6400



6400X

Part #	Description	A Overall Height	B Ground Clearance	Fuel Compatibility
6430	standard height elbow with 3" adapter fuel inlet, 3" adapter vapor outlet	23-3/4"	11-3/4"	gasoline and diesel, up to E100 and B20 biofuels
6430F	standard height elbow with 3" coupler fuel inlet, 3" adapter vapor outlet			
6400	standard height elbow with 4" adapter fuel inlet, 3" adapter vapor outlet			
6400F	standard height elbow with 4" coupler fuel inlet, 3" adapter vapor outlet			
6400FNPT	standard height elbow with 4" coupler fuel inlet, 3" male NPT vapor outlet			
6430X	tall height elbow with 3" adapter fuel inlet, 3" adapter vapor outlet	26-3/4"	14-3/4"	
6430XF	tall height elbow with 3" coupler fuel inlet, 3" adapter vapor outlet			
6400X	tall height elbow with 4" adapter fuel inlet, 3" adapter vapor outlet			
6400XF	tall height elbow with 4" coupler fuel inlet, 3" adapter vapor outlet			
6400XFNPT	tall height elbow with 4" coupler fuel inlet, 3" male NPT vapor outlet			

NOTE: Elbow options are shown on page 17. See page 94 for repair kits and replacement parts

Biofuel compatible, see fuel compatibility chart on page 3 for more information 

Fuel Station, In-Ground Tank Adapters and Caps

Application

- When fuel is delivered to the fuel station, the fuel delivery and vapor recovery elbows, are connected to the in-ground tank adapters. There are two types that do not interchange, 1) is for fuel delivery using either standard or coaxial delivery elbows. 2) Is for the vapor recovery elbows. The delivery adapter is threaded onto the in-ground tank fuel inlet, and the vapor adapter is threaded to the in-ground tank vapor outlet connection. To prevent contamination and fuel evaporation, the tank adapters are capped with T-handle caps when not in use.

Features

- Manufactured with 4" pipe threads to connect to in-ground fuel station tanks, and then provide an interface to connect the top seal fuel drop or vapor recovery elbows

Delivery Adapters (top seal)

- Available with 4" NPS or 4" NPT threads, with 3-1/2" or 2-3/8" heights
- Rugged bronze or Bayloy cast construction

Delivery Adapter Caps

- Designed to fit fuel delivery adapters only
- Rugged durable construction aluminum or bronze bodies, with bronze push-pull T-handle
- Protect the delivery adapter, and prevent fuel contamination evaporation and tampering
- Padlockable

Features (cont.)

Vapor Adapters

- Rugged bronze or Bayloy cast construction
- With outlet poppet valves to prevent fuel vapors from escaping. Poppet opens when vapor elbow is connected
- Can be used as vapor valve on a fuel tanker (does not have mount for air interlock)

Vapor Adapter Caps

- Designed to fit fuel vapor adapters and truck mounted vapor valves
- Colored orange to signify vapor connection
- Durable and lightweight construction aluminum or nylon bodies, with push-pull T-handle
- Protect the vapor adapter, and prevent fuel contamination and tampering
- Biofuel compatible, up to E100 (100% ethanol) and B20 (20% biodiesel). For detailed fuel compatibility, please refer to the chart shown on page 3
- Padlockable

Materials

- Adapters are either produced from bronze ¹ or Bayloy ¹. Caps are produced in aluminum ¹, bronze ¹ or nylon ¹, nitrile rubber seals.

¹ Dependent upon part #, see part number list below for more details

Fuel Delivery



BZ4051



BZ4051S



BSS4051



SA4050AL

Part #	Description
BSS4051	bronze fuel delivery tank adapter, 4" female NPT, 1-21/32" height, side seal
BZ4051	bronze fuel delivery tank adapter, 4" female NPT, 3-1/2" height, top seal
BY4051	Bayloy fuel delivery tank adapter, 4" female NPT, 3-1/2" height, top seal
BZ4051S	bronze fuel delivery tank adapter, 4" female NPS, 2-3/8" height, top seal
SA4050AL	aluminum fuel delivery adapter cap, bronze push-pull T-handle, nitrile rubber gasket
SA4050BZ	bronze fuel delivery adapter cap, bronze push-pull T-handle, nitrile rubber gasket
TL4070BZ	bronze fuel delivery adapter cap, bronze twin lever handle

Vapor Recovery



VR4086



VR4050AL



VR4050PL

Part #	Description
VR4086	bronze vapor recovery tank adapter, 4" FNPT, 3-5/8" height, with vapor poppet
VR4086-BY	Bayloy vapor recovery tank adapter, 4" FNPT, 3-5/8" height, with vapor poppet
VR4050AL	aluminum vapor recovery cap, colored vapor orange, push-pull T-handle, nitrile rubber gasket
VR4050PL	nylon vapor recovery cap, colored vapor orange, push-pull T-handle, nitrile rubber gasket
VR4050ALC	aluminum vapor recovery cap, colored vapor orange, push-pull T-handle, nitrile rubber gasket, with chain
VR4050PL-1200	nylon vapor recovery cap, colored vapor orange, push-pull T-handle, nitrile rubber gasket, with chain

NOTE: See page 101 for repair kits and replacement parts

Product instruction sheets and technical data can be viewed on our website at canada.dixonvalve.com


Biofuel vapor compatible

Dual Point - Vapor Recovery Elbows

Application

- In many areas fuel stations are equipped with dual point tank connections, one connection is for the fuel delivery, and the other connection is for the vapor recovery connection. The vapor elbow bottom connection is connected to the fuel station on a ground tank vapor adapter and the top connection to the vapor hose, which returns the fuel vapors back to the tanker

Features

- Rugged modular cast aluminum construction
- Many parts are common throughout the Bayco® elbow line, making any necessary maintenance a breeze
- Grease nipple enables the greasing of the lever stem, and acetal bushings help keep everything moving smoothly, even in the harshest of conditions
- Inlet probes are standard, and are available with or without outlet poppet valves
- Bolt on outlets allow the outlet to be changed without having to worry about galling of threads. See below for replacement outlets
- VR6100-Series features a simple to connect push-on style connection
- VR6500-Series features an ergonomic ball handle lever, which on the 6500-Series can be mounted either on the left or right side
- VR6500-Series features heavy duty bolt on arm attachment plate increases the strength of the lever pivot. There are no impact susceptible pivot bolts, or casting bosses to break
- VR6500-Series features, arm hinge points use a double yoke design which increases the arm strength
- Biofuel vapor compatible, up to E85 (85% ethanol) and B20 (20% biodiesel). For detailed fuel compatibility, please refer to the chart shown on page 3 

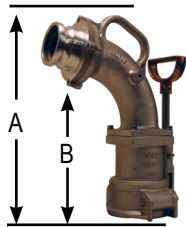
Materials

- Aluminum body and handle, bronze locking arms ¹, stainless steel hardware, Baylast™ and nitrile rubber seals, and acetal bushings

Specifications

- Manufactured to connect to in ground fuel station vapor adapters and cam & groove vapor hose connections

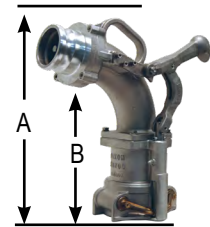
¹ Dependent upon part #, see part number list below for more details



VR6000NP




VR6100NP



VR6500

Part #	Description	Outlet Poppet Valve	A Overall Height	B Ground Clearance	Vapor Compatibility
VR6000NP	D-handle, 3" adapter outlet	No	17-1/4"	10-3/4"	gasoline and diesel, up to E85 and B20 biofuels
VR6100NP	push-on style, 3" adapter outlet	No	18-3/4"	12-1/2"	
VR6500	heavy duty ball lever handle, 3" adapter outlet	Yes	17-1/4"	11-1/4"	
VR6500NP	heavy duty ball lever handle, 3" adapter outlet	No	17-1/4"	11-1/4"	
VR6500LPNP	heavy duty ball lever locking handle, 3" adapter outlet	No	20-1/4"	13-3/4"	
VR6000-6	replacement 3" adapter outlet, for elbows with or without poppets	---	---	---	gasoline and diesel, up to E100 and B20 biofuels
6000-17	replacement 4" adapter outlet, for elbows without poppets, requires liquid sealant to seal to elbow body	---	---	---	
6000-15	replacement 3" coupler outlet, for elbows without poppets, requires liquid sealant to seal to elbow body	---	---	---	
6000-14	replacement 4" coupler outlet, for elbows without poppets, requires liquid sealant to seal to elbow body	---	---	---	

NOTE: See page 97-99 for repair kits and replacement parts

Biofuel compatible, see fuel compatibility chart on page 3 for more information 

Vapor Return Valves

Features

- Rugged cast aluminum construction
- Variety of tank connections to suit any application, including 4" TTMA flange, 3" and 4" female NPT and 4" female NPS
- Air interlock mounting pad (VR4000 requires 5000AIV, other models can use the 5000AI, 5000AIS or 5000AIST interlock valves)
- VR4000 is a bulb design which allows for maximum vapor flow, also features 2 large acrylic sight glasses and a drain plug
- Available with or without poppets. Poppeted versions prevent vapor from escaping from the tanker
- Easy seal replacement while still on the tanker
- Biofuel vapor compatible, up to E100 (100% ethanol) and B20 (20% biodiesel). For detailed fuel compatibility, please refer to the chart shown on page 3

Materials

- Aluminum body and nitrile rubber seals, nylon ¹ or acrylic ¹ sight glass if equipped

Specifications

- Manufactured to connect to vapor hose couplings

¹ Dependent upon part #, see part number list below for more details



VR3100



VR4000



VR4100



VR4100F



VR4100F-SFI

Part #	Adapter Size	Tanker Connection	Inlet Poppet Valve	Sight Glass	Description	Vapor Compatibility
VR3100	4"	3" female NPT	Yes	No	vapor valve, low profile design	gasoline and diesel, up to E100 and B20 biofuels
VR3100NP			No	No		
VR4100	4"	4" female NPT	Yes	No		
VR4100NP			No	No		
VR4100S	4"	4" female NPS	Yes	No		
VR4100NPS			No	No		
VR4100F	4"	4" TTMA flange	Yes	Yes		
VR4100FNG			Yes	No		
VR4100F-SFI			Yes	Yes		
VR4100F-NGNP			No	No		
VR4100FNP			No	Yes		
VR4000			Yes	Yes	bulb design for maximum flow (if required use 5000AIV interlock valve)	

NOTE: See page 101-102 for repair kits and replacement parts

Orange Vapor Caps



VR4050PL



VR4050PL-1200



VR4050AL

Part #	Description	Vapor Compatibility
VR4050AL	aluminum vapor recovery adapter cap, color orange, push-pull T-handle, nitrile rubber gasket	gasoline and diesel, up to E100 and B20 biofuels
VR4050PL	nylon vapor recovery adapter cap, color orange, push-pull T-handle, nitrile rubber gasket	
VR4050ALC	aluminum vapor recovery adapter cap, color orange, push-pull T-handle, nitrile rubber gasket, with chain	
VR4050PL-1200	nylon vapor recovery adapter cap, color orange, push-pull T-handle, nitrile rubber gasket, with chain	

NOTE: See page 100 for repair kits and replacement parts

Vapor Hose Couplings

Part #	Coupler Size	Connection Type and Size	Poppet Valve	Probe	Vapor Compatibility
VRC3000AL	3"	3" hose	No	Yes	gasoline and diesel, up to E100 and B20 biofuels
VR4030CS-AL ¹	4"	3" hose	Yes	Yes	
VR4040CS-AL	4"	4" hose	Yes	Yes	
VR4030CS-AL45	4"	3" 45° hose	Yes	Yes	
VR4040CS-AL45	4"	4" 45° hose	Yes	Yes	
VR4040CS-ALS45	4"	4" 45° hose swivel	---	---	
VR4040CS-4MNPT	4"	4" male NPT	Yes	Yes	
4020-CVR-AL	4"	2" hose	No	Yes	
4030-CVR-AL	4"	3" hose	No	Yes	
400-CVR-AL	4"	4" hose	No	Yes	
4030-DVR-AL	4"	3" female NPT	No	Yes	
400-DVR-AL	4"	4" female NPT	No	Yes	
4030-DAVR-AL	4"	3" cam & groove adapter	No	Yes	
400-DDVR-AL	4"	4" cam & groove coupler	No	Yes	
VR4030CS-NP	4"	3" hose	No	Yes	
VR4030CS-SH	4"	3" hose	Yes	Yes	
VR4040CSRK1	---	seal repair kit	---	---	
VR4040CSRK2	---	cam arm repair kit	---	---	
VRHK ¹	---	handle kit	---	---	
VRHK-C ¹	---	compact handle kit	---	---	



NOTE: See page 103-105 for repair kits and replacement parts

¹ VR4030CS-AL will not work with Civacon 633LVH vapor valve and requires poppet style vapor valve on tank truck to open

Sequential Vapor Vents

Features

- Can be installed to open in sequence with another pneumatically controlled device such as the emergency valve, or open independently by simply plugging the lower of the 2 ports (use a 1/4" male NPT plug)
- Flange adapter available to adapt 3" TTMA (VR6035SQ) version to a Parker style vent
- Any necessary maintenance is easy to perform

Material

- Rugged cast aluminum construction

Specification

- Temperature range: -40°F to 160°F (-40°C to 71°C)



Part #	Description	Vapor Compatibility
VR6030SQ	for 16" manhole, with threaded mounting ring	gasoline and diesel, up to E100 and B100 biofuels
VR6035SQ	for 20" manhole, with 3" TTMA flange	
40193AL	VR6035SQ adapter flange for Parker style vents	

NOTE: See page 106-107 for repair kits and replacement parts

Outbreathing and Inbreathing Vents

Part #	Description	Vapor Compatibility
VRP3500	outbreathing, opens at no greater than 1 PSI (MC306)	gasoline and diesel, up to E100 and B100 biofuels
VRP3600	outbreathing, opens at no less than 0 PSI (DOT406)	
VRV3501	inbreathing, opens at 1-1/2" Hg (vacuum)	



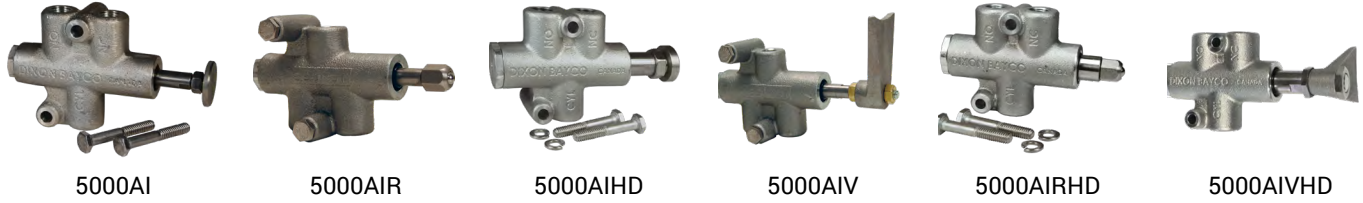
NOTE: See page 108 repair kits and replacement parts

Air Interlock Valves

Specifications

- Temperature range: -40°F to 158°F (-40°C to 70°C)
- Maximum working pressure: 150 PSI

Standard Air Interlock Valves



Part #	Description
5000AI	1" button plunger pneumatic interlock, Baylast™ seals
5000AIST	1-1/2" button plunger pneumatic interlock, Baylast seals
5000AIR	roller ball plunger pneumatic interlock, ideal for use on cabinet doors, Baylast seals
5000AIS	1" button plunger pneumatic/electronic interlock, ideal for connecting to lights or the overfill detection system, Baylast seals
5000AIV	paddle plunger pneumatic interlock, for use on VR4000 vapor valve, Baylast seals
5000AIHD	heavy duty, high flow air ports, same foot print as 5000AI, Baylast seals
5000AIRHD	roller end for various angles, large air ports, Baylast seals
5000AIVHD	heavy duty air interlock with paddle plunger, Baylast seals

NOTE: See page 109-111 for repair kits and replacement parts

Heavy Duty 6-Port Air Interlock Valves

Specification

- Temperature range: -40°F to 158°F (-40°C to 70°C)



Part #	Description
5006AIHD	heavy duty, high flow air ports, Baylast seals
5006AIRHD	roller end for various angles, large air ports, Baylast seals
5006AIVHD	heavy duty air interlock with paddle plunger, Baylast seals

Air Interlock Valve Accessories



Part #	Description
DB300PMB	mount 5000AI air interlock on 3" pipe
DB400PMB	mount 5000AI air interlock on 4" pipe
5000S	air interlock limit switch kit
5000AIVS	air interlock with limit switch and cable
5000AISHD	air interlock limit switch heavy duty and cable
5000AISTHD	heavy duty air interlock with 1-1/2"
40048WI	cable, air interlock switch

Hose Tube Doors

Application

- When not in use fuel delivery hoses are often stored in tubes that run the length of the tanker, to keep the hoses in the storage tubes they have a welded cap on one end and a hinged tube door welded on the other end

Features

- Keeps fuel delivery hoses neatly and safely stored in the designated storage tubes
- Helps to protect the expensive delivery hoses and fittings from road dirt, salt and other environmental factors
- Padlockable

Materials

- Aluminum body, nitrile rubber seals, stainless steel door closure spring and hardware, nylon bushings

Specification

- Manufactured to weld to 6", 7" or 8" hose tubes

Part #	Description
TDF6	6" hose tube door
TDF7	7" hose tube door
TDF8	8" hose tube door

NOTE: See page 109 for repair kits and replacement parts



TDF6



TDF7



TDF8

Static Grounding Balls

Application

- To help prevent static electric sparking when loading or unloading tankers containing flammable products, the tanker is grounded using a grounding cable with spring clip attached to a tank mounted static grounding ball

Feature

- Helps eliminate static electricity sparking

Specification

- Manufactured with 3/8"-16UN-3A thread

Materials

- Brass or stainless steel

Part #	Description
GS1	brass grounding ball
GS1-2	brass grounding ball with lock washer and stainless steel nut
GS2	416 SS grounding ball



GS1



GS1-2



GS2

Tanker Pipe Caps

Features

- Includes 12" heavy duty chain with S hook
- Pin lugs allow easy tightening
- Working pressure of up to **150 PSI**

Part #	Description
PC30	3" female NPSL pipe threaded aluminum cap
L2286	nitrile rubber gasket



PC30

One Way Full Flow Ball Valves

Application

- One way full flow ball valves are often used to control the flow of products from tanker compartments

Features

- High flow with low pressure drop
- Working pressure of **150 PSI** at **70°F (21°C)**
- Valve spindle can be disassembled with valve installed

Part #	Size	Description
1WAYBV200	2"	female NPT
1WAYBV300	3"	
1WAYBV400	4"	
1WAYBV200SW	2"	schedule 40 socket weld
1WAYBV300SW	3"	
1WAYBV200VIC	2"	grooved connections
1WAYBV300VIC	3"	

Materials

- Aluminum body, aluminum and stainless steel wetted parts, FPM (FKM and PTFE seals)

Specifications

- Manufactured with 2", 3" or 4" female NPT, socket weld to Schedule 40 or grooved ends



1WAYBV300



1WAYBV300SW



1WAYBV300VIC

Two Way 3 Port Diverting Ball Valves

Application

- Two way diverting ball valves are often used to divert or mix products between tanker compartments

Features

- 3 ports allow easy flow diversion between tanker compartments
- High flow with low pressure drop
- Working pressure of **150 PSI** at **70°F (21°C)**
- Valve spindle can be disassembled with valve installed

Part #	Size	Description
2WAYBV200	2"	female NPT
2WAYBV300	3"	
2WAYBV400	4"	
2WAYBV200SW	2"	schedule 40 socket weld
2WAYBV300SW	3"	
2WAYBV200VIC3	2"	grooved connections
2WAYBV300VIC3	3"	

Materials

- Aluminum body, aluminum and stainless steel wetted parts, FPM (FKM and PTFE seals)

Specifications

- Manufactured with 2", 3" or 4" female NPT, socket weld to Schedule 40 or grooved ends



2WAYBV200



2WAYBV300SW



2WAYBV300VIC3

Cam & Groove Style Dry Disconnect Couplings

Application

- Dry disconnects help prevent spillage from normal or accidental disconnection of the connection. A spring loaded sealing device is designed to snap closed should the valve become disconnected with the poppet open, significantly limiting liquid loss

Features

- Helps eliminate the possibility of costly spills
- Compatible with most other brands of cam & groove style dry disconnects
- Special configurations can be designed for your application
- Female NPT or 150# flanged connections

DBA Adapters

- Two-piece adapter design for easy rebuilding of adapters
- Stainless steel parts have a stainless steel piston
- Adapters below are used with the DBC or D2C couplers shown on pages 28 and 29
- Use standard cam & groove dust caps sized one size larger than the dry disconnect size, see chart below for dust cap size selection

DBC Couplers

- Large paddle type locking cam arms standard on 3" fittings, allow for an easy grip
- DBC series have automatic closing poppet assembly
- Heavy duty stainless steel crank and link provide long service life
- Stainless steel handle assembly allows exposure to corrosive chemicals or wash down service
- Strong handle attachment prevents bending of crank assembly
- Aluminum couplers have stainless steel internal parts
- EZ Boss-Lock™ cam arms standard on all 1-1/2" and 2" fittings, provide high security from accidental opening due to vibration or snagging. Very easy to use, just close the arms and they lock, to open simply lift the lever (possible even with gloves on)

Materials

- Zinc, aluminum or stainless steel bodies with nitrile rubber¹, FKM¹, FKM-B¹, PTFE encapsulated silicone¹, EPT (EPDM)¹, FFKM, PTFE encapsulated FKM and PTFE seals, see part number chart for full seal selection. Stainless steel corrosion resistance is equivalent to 304 stainless steel

Specifications

- Manufactured to interchange with other cam & groove type dry disconnect couplings
- Contact Dixon® at 877.963.4966 for working pressures at temperatures other than 70°F (21°C) and for chemical compatibility, size and material selection

Approvals

- Canadian registration number CRN #OH14044 all provinces, 3" size rated to 80 PSI for CRN required applications

¹ Dependent upon part #, see part number list below for more details



DBA71-200



DBA11-300

Female NPT Adapters

Female NPT Size	Adapter Size	Seal Material	Max PSI @ 70°F (21°C)	Aluminum Part #	Zinc/Aluminum Part #	Competitor Part #	Stainless Steel Part # ²	Competitor Part #
1-1/2"	2"	nitrile rubber	210	---	DBA11-150	1611AN-AL15	DBA71-150	1671AN-SS15
2"	2-1/2"		150	DBA61-200	DBA11-200	1611AN-AL20	DBA71-200	1671AN-SS20
3"	4"		120	---	DBA11-300	1611AN-AL30	DBA71-300	1671AN-SS30
1-1/2"	2"	FKM	210	---	DBA12-150	1612AN-AL15	DBA72-150	1672AN-SS15
2"	2-1/2"		150	DBA62-200	DBA12-200	1612AN-AL20	DBA72-200	1672AN-SS20
3"	4"		120	---	DBA12-300	1612AN-AL30	DBA72-300	1672AN-SS30
1-1/2"	2"	PTFE encapsulated silicone	210	DBA63-150	---	1613AN-AL15	DBA73-150	1673AN-SS15
2"	2-1/2"		150	DBA63-200	---	1613AN-AL20	DBA73-200	1673AN-SS20
3"	4"		120	DBA63-300	---	1613AN-AL30	DBA73-300	1673AN-SS30
1-1/2"	2"	EPDM	210	DBA64-150	---	1614AN-AL15	DBA74-150	1674AN-SS15
2"	2-1/2"		150	DBA64-200	---	1614AN-AL20	DBA74-200	1674AN-SS20
3"	4"		120	DBA64-300	---	1614AN-AL30	DBA74-300	1674AN-SS30
1-1/2"	2"	FFKM	210	DBA66-150	---	1616AN-AL15	DBA76-150	1676AN-SS15
2"	2-1/2"		150	DBA66-200	---	1616AN-AL20	DBA76-200	1676AN-SS20
3"	4"		120	DBA66-300	---	1616AN-AL30	DBA76-300	1676AN-SS30
1-1/2"	2"	PTFE encapsulated FKM	210	DBA67-150	---	1617AN-AL15	DBA77-150	1677AN-SS15
2"	2-1/2"		150	DBA67-200	---	1617AN-AL20	DBA77-200	1677AN-SS20
3"	4"		120	DBA67-300	---	1617AN-AL30	DBA77-300	1677AN-SS30
2"	2-1/2"	FKM-GFLT	150	---	---	---	DBA78-200	---
3"	4"	FKM-B	120	DBA69-300	---	1619AN-AL30	DBA79-300	1679AN-SS30

NOTE: See pages 115-117 for repair kits and replacement parts

² Stainless steel corrosion resistance is comparable to 304 stainless steel

Product instruction sheets and technical data can be viewed on our website at canada.dixonvalve.com

Jump Size Female NPT Adapters



DBA12-1520

Female NPT Size	Adapter Size	Dry Disconnect Body Size	Seal Material	Max PSI @ 70°F (21°C)	Zinc/Aluminum Part #	Competitor Part #
2"	2"	1-1/2"	nitrile rubber	150	DBA11-1520	---
			FKM		DBA12-1520	---

NOTE: See pages 114 for replacement parts

Female NPS Vapor Adapter



DBAV73-2030

Female NPSM Size	Adapter Size	Dry Disconnect Body Size	Seal Material	Max PSI @ 70°F (21°C)	Stainless Steel Part # ¹	Competitor Part #
3"	2-1/2"	2"	PTFE	150	DBAV73-2030	2173AVN

NOTE: See page 117 for replacement parts

150# Flange Adapters



DBAF72-200

Flange Size	Adapter Size	Dry Disconnect Body Size	Seal Material	Max PSI @ 70°F (21°C)	Stainless Steel Part # ¹	Competitor Part #
2"	2"	1-1/2"	nitrile rubber	150	DBAF71-1520	1671ANF-SS15
	2-1/2"	2"			DBAF71-200	1671ANF-SS20
3"	4"	3"		120	DBAF71-300	1671ANF-SS30
2"	2"	1-1/2"	FKM	150	DBAF72-1520	1672ANF-SS15
	2-1/2"	2"			DBAF72-200	1672ANF-SS20
3"	4"	3"		120	DBAF72-300	1672ANF-SS30
2"	2"	1-1/2"	PTFE encapsulated silicone	150	DBAF73-1520	1673ANF-SS15
	2-1/2"	2"			DBAF73-200	1673ANF-SS20
3"	4"	3"		120	DBAF73-300	1673ANF-SS30
2"	2"	1-1/2"	EPDM	150	DBAF74-1520	1674ANF-SS15
	2-1/2"	2"			DBAF74-200	1674ANF-SS20
3"	4"	3"		120	DBAF74-300	1674ANF-SS30
2"	2"	1-1/2"	FFKM	150	DBAF76-1520	1676ANF-SS15
	2-1/2"	2"			DBAF76-200	1676ANF-SS20
3"	4"	3"		120	DBAF76-300	1676ANF-SS30
2"	2-1/2"	2"	FKM-GFLT	150	DBAF78-200	---

NOTE: See page 118 for replacement parts

¹ Stainless steel corrosion resistance is comparable to 304 stainless steel



DBC61-150

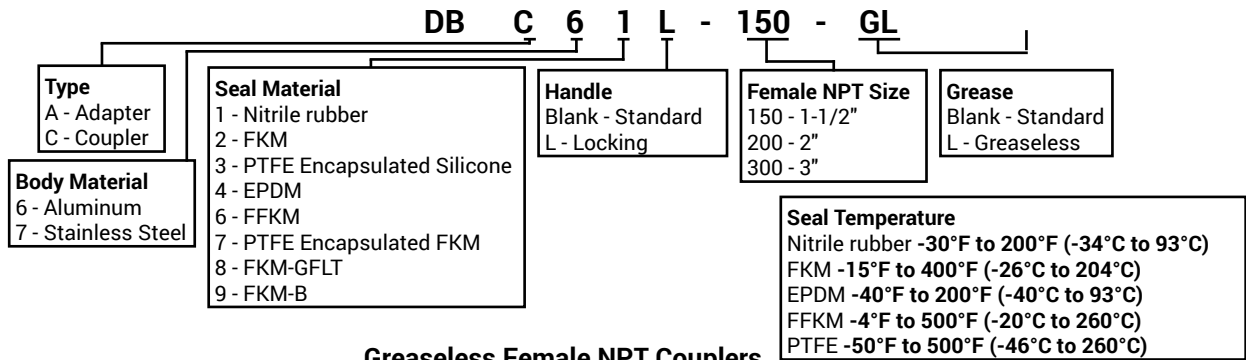
Cam & Groove Style Dry Disconnect Couplings



DBC61-300

Female NPT Couplers

Female NPT Size	Coupler Size	Seal Material	Max PSI @ 70°F (21°C)	Aluminum Part #	Competitor Part # (New and Old)	Stainless Steel Part # ¹	Competitor Part # (New and Old)
1-1/2"	1-1/2"	nitrile rubber	210	DBC61-150	1711DL-AL15/1761D-AL15	DBC71-150	1771DL-SS15/1771D-SS15
2"	2-1/2"		150	DBC61-200	1711DL-AL20/1761D-AL20	DBC71-200	1771DL-SS20/1771D-SS20
3"	4"		120	DBC61-300	1711DL-AL30/1761D-AL30	DBC71-300	1771DL-SS30/1771D-SS30
1-1/2"	2"	FKM	210	DBC62-150	1712DL-AL15/1762D-AL15	DBC72-150	1772DL-SS15/1772D-SS15
2"	2-1/2"		150	DBC62-200	1712DL-AL20/1762D-AL20	DBC72-200	1772DL-SS20/1772D-SS20
3"	4"		120	DBC62-300	1712DL-AL30/1762D-AL30	DBC72-300	1772DL-SS30/1772D-SS30
3"	3"		120	DBC62LVPR-300	---	---	---
1-1/2"	2"	PTFE encapsulated silicone	210	DBC63-150	1713DL-AL15/1763D-AL15	DBC73-150	1773DL-SS15/1773D-SS15
2"	2-1/2"		150	DBC63-200	1713DL-AL20/1763D-AL20	DBC73-200	1773DL-SS20/1773D-SS20
3"	4"		120	DBC63-300	1713DL-AL30/1763D-AL30	DBC73-300	1773DL-SS30/1773D-SS30
1-1/2"	2"	EPDM	210	DBC64-150	1714DL-AL15/1764D-AL15	DBC74-150	1774DL-SS15/1774D-SS15
2"	2-1/2"		150	DBC64-200	1714DL-AL20/1764D-AL20	DBC74-200	1774DL-SS20/1774D-SS20
3"	4"		120	DBC64-300	1714DL-AL30/1764D-AL30	DBC74-300	1774DL-SS30/1774D-SS30
1-1/2"	2"	FFKM	210	DBC66-150	1716DL-AL15/1766D-AL15	DBC76-150	1776DL-SS15/1776D-SS15
2"	2-1/2"		150	DBC66-200	1716DL-AL20/1766D-AL20	DBC76-200	1776DL-SS20/1776D-SS20
3"	4"		120	DBC66-300	1716DL-AL30/1766D-AL30	DBC76-300	1776DL-SS30/1776D-SS30
1-1/2"	2"	PTFE encapsulated FKM	210	DBC67-150	1717DL-AL15/1767D-AL15	DBC77-150	1777DL-SS15/1777D-SS15
2"	2-1/2"		150	DBC67-200	1717DL-AL20/1767D-AL20	DBC77-200	1777DL-SS20/1777D-SS20
3"	4"		120	DBC67-300	1717DL-AL30/1767D-AL30	DBC77-300	1777DL-SS30/1777D-SS30
2"	2-1/2"	FKM-GFLT	150	---	---	DBC78-200	---
3"	4"	FKM-B	120	DBC69-300	1719DL-AL30/1769D-AL30	DBC79-300	1779DL-SS30/1779D-SS30



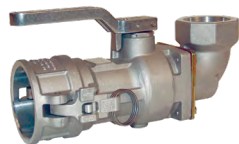
Greaseless Female NPT Couplers

Female NPT Size	Coupler Size	Seal Material	Max PSI @ 70°F (21°C)	Stainless Steel Part # ¹	Competitor Part # (New and Old)
1-1/2"	2"	PTFE encapsulated FKM	210	DBC77-150-GL	1777DL-SS15-GL/177D-SS15-GL
2"	2-1/2"		150	DBC77-200-GL	1777DL-SS20-GL/177D-SS20-GL

¹ Stainless steel corrosion resistance is comparable to 304 stainless steel

Female NPT Swivel Couplers

Female NPT Size	Coupler Size	Seal Material	Max PSI @ 70°F (21°C)	Aluminum Part #	Competitor Part # (New and Old)
2"	2-1/2"	nitrile rubber	150	DBS61-200	1711ESL-AL20/1711ES-0200
		FKM		DBS62-200	1712ESL-AL20/1712ES-0200
		PTFE encapsulated silicone		DBS63-200	---



DBS61-200

NOTE: See pages 120-136 for repair kits and replacement parts
Product instruction sheets and technical data can be viewed on our website at canada.dixonvalve.com

Valve Handle Locking Kits

Part #	Description
DBCL-200	valve handle locking kit for 1-1/2" and 2" couplers
DBCL-300	valve handle locking kit for 3" couplers



DBCL-200

Cam & Groove Style Dry Disconnect D2C Couplings

Application

- Dry disconnects help prevent spillage from normal or accidental disconnection of the connection. D2C-Series couplings are similar to the DBC-Series as shown on page 28, except the D2C do not have an internal seal cylinder, therefore the couplings do not automatically close. The D2C couplers are suited to vapor recovery, suction pump and applications where it is necessary to easily drain the hose or piping for cleaning. They can also be used when product retention in hose or pipe is desired, but environmental damage from an open coupling is not a threat

Features

- Helps eliminate the possibility of costly spills
- Compatible with most other brands of cam & groove style dry disconnects
- Special configurations can be designed for your application
- Female NPT
- Couplers below are used with the DBA adapters shown on pages 26 and 27
- Use standard cam & groove dust plugs, sized one size larger than the dry disconnect size, see chart below for dust plug size selection
- Stainless steel valve handle locking kit included on valve handle
- EZ Boss-lock™ automatic locking cam arms provide added security from accidental opening due to cam arms getting snagged or vibration. Very easy to use, just close the arms and they lock, to open simply lift the lever (possible even with gloves on)

Materials

- 316 stainless steel bodies with nitrile rubber ¹, FKM ¹, FKM-B ¹, PTFE encapsulated silicone ¹, EPT (EPDM) ¹, FFKM, PTFE encapsulated FKM seals, see part number chart for full seal selection

Specifications

- Contact Dixon® at 877.963.4966 for working pressures at temperatures other than **70°F (21°C)** and for chemical compatibility, size, and material selection
- Use with Dixon Bayco® DBA-Series adapters. Manufactured to interchange with other cam & groove type dry disconnect couplings

¹ Dependent upon part #, see part number list below for more details

Female NPT Couplers



D2C71-150



D2C71-200

Female NPT Size	Coupler Size	Seal Material	Max PSI @ 70°F (21°C)	Stainless Steel Part #	Competitor Part #
1-1/2"	2"	nitrile rubber	210	D2C71-150	2271D-SS15
2"	2-1/2"		150	D2C71-200	2271D-SS20
1-1/2"	2"	FKM	210	D2C72-150	2272D-SS15
2"	2-1/2"		150	D2C72-200	2272D-SS20
1-1/2"	2"	PTFE encapsulated silicone	210	D2C73-150	2273D-SS15
2"	2-1/2"		150	D2C73-200	2273D-SS20
1-1/2"	2"	EPDM	210	D2C74-150	2274D-SS15
2"	2-1/2"		150	D2C74-200	2274D-SS20

NOTE: See page 136 for repair kits and replacement parts

Product instruction sheets and technical data can be viewed on our website at canada.dixonvalve.com

Bayonet Style Dry Disconnect Couplings

Application

- Bayonet dry disconnect fittings are ideally suited for the spill-less transfer of petroleum products such as fuel oil, lube oil blending, and tank truck delivery. The design of the Bayco® bayonet dry disconnect system ensures a spill free connection, fluid cannot flow until couplings are connected together and the valve is opened. The coupling can then not be disconnected until the valve handle is closed

Features

- Helps eliminate the possibility of costly spills
- Compatible with most other brands of bayonet style dry disconnects
- Female NPT
- Rubber dust caps and plugs with stainless steel chains are available to protect the adapters and couplers from contamination and damage
- Maximum operating pressure: **85 PSI at 75°F (24°C)**, for pressure ratings at other temperatures contact Dixon®

Materials

- Adapters have anodized aluminum ¹, brass ¹ or stainless steel ¹ bodies with either anodized aluminum ¹ or brass ¹ poppet valves. Couplers are aluminum. Adapters and couplers are available with either nitrile rubber or FKM seals ¹

Specifications

- Manufactured to interchange with other brands of bayonet type dry disconnect couplings
- Canadian registration number CRN #OH14055 all provinces

¹ Dependent upon part #, see part number list below for more details



BA32-100



BA32-200



BA62-300

Female NPT Adapters

Female NPT Size	Seal Material	Description	Part #	Competitor Part #	Rubber Dust Cap Part #
1"	nitrile rubber	brass body and poppet valve	BA31-100	J71-ABBN0-A	BA31-100
	FKM		BA32-100	J71-ABVN0-A	BA32-100
2"	nitrile rubber	stainless steel body with brass poppet valve	BA31-200	J72A-BBN0-B/J72A-ABN0-B	BAC-200
	FKM		BA32-200	J72A-BVN0-B/J72A-AVN0-B	BAC-200
3"	nitrile rubber	brass body and poppet valve	BA31-300	J73A-BBN0-B	BAC-300
	FKM		BA32-300	J73A-BVN0-B	BAC-300
3"	nitrile rubber	anodized aluminum body and poppet valve	BA61-300	J73A-ABNO-B	BAC-300
	FKM		BA62-300	J73A-AVN0-B	BAC-300

NOTE: See page 137 for replacement parts



BSS62-100



BSS61-300



BS61-300

Female NPT Couplers

Female NPT Size	Seal Material	Description	Part #	Competitor Part #	Rubber Dust Plug Part #
1"	nitrile rubber	anodized aluminum body with straight swiveling NPT connection	BSS61-100	J71C-ABN1E004	BSS61-100
	FKM		BSS62-100	J71C-AVN1E004	BSS62-100
2"	nitrile rubber	anodized aluminum body with straight non-swiveling NPT connection	BC61-200	J72C-ABNO-B	BCP-200
	FKM		BC62-200	J72C-AVNO-B	BCP-200
2"	nitrile rubber	aluminum body with straight swiveling NPT connection	BSS61-200	J72C-ABN1-B	BCP-200
	FKM		BSS62-200	J72C-AVN1-B	BCP-200
2"	nitrile rubber	aluminum body with 90° swiveling NPT connection	BS61-200	J72C-ABN2-B	BCP-200
	FKM		BS62-200	J72C-AVN2-B	BCP-200
3"	nitrile rubber	aluminum body with straight swiveling NPT connection	BSS61-300	J73C-ABN1-B	BCP-300
	FKM		BSS62-300	J73C-AVN1-B	BCP-300
3"	nitrile rubber	aluminum body with 90° swiveling NPT connection	BS61-300	J73C-ABN2-B	BCP-300
	FKM		BS62-300	J73C-AVN2-B	BCP-300

NOTE: See pages 139-142 for repair kits and replacement parts

Product instruction sheets and technical data can be viewed on our website at canada.dixonvalve.com

Bayonet Style Dry Disconnect Caps and Plugs

Application

- Bayonet dry disconnect caps and plugs keep dirt, debris and water out of couplers preventing build up on the sealing surface that will cause seals to fail prematurely

Features

- Simple to use
- Low cost
- Durable and flexible rubber
- Prevents contamination of product

Materials

- The caps have a stainless steel chain to secure them to the adapter chain lug. The plugs have a stainless steel chain to secure them to the coupler



Size	Description	Part #
2"	coupler plug	BBC-200
3"		BBC-300
2"	adapter cap	BAC-200
3"		BAC-300

TTMA Flanged Breakaway Coupling



Application

- Installs between an API coupler and loading arm

Features

- Minimizes spillage and damage associated with driveaway and pull-away incidents
- Passive security against situations where a hose or loading arm could be subjected to inadvertent excessive loads
- Coupling automatically disconnects and closes the valves under excessive loads
- High flow rate/low pressure drop
- FKM/FPM is standard seal

Specification

- 150 PSI at ambient temperature 70°F (21°C)

Size	Material	Part #
4"	aluminum	SBC400ALTTMA
4"	aluminum - compact version	SBC400ALTTMACP

5500-Series API Couplers

Application

- Combined with API adapters, these couplers are suitable for railcar and tank truck loading or unloading

Features

- Locking five-cam design provides easy alignment and tight connection
- Modular design allows various face seal combinations to be compatible with different alternative fuels, performance levels, and applications
- Shaft seals can be changed without removing coupler from the loading arm
- Fully interlocked collar cannot be opened when connected and cannot be disconnected when opened
- Replaceable seal design while coupler is on loading arm
- 4" TTMA inlet mounting flange connection
- Ball-end handle for easy and comfortable operation
- No special tools needed for maintenance
- Reference canada.dixonvalve.com for bill of materials and a complete list of repair kits

Materials

- Body: hard coated anodized 356T6 aluminum
- Shroud: hard coated anodized 356T6 aluminum with stainless steel insert
- Link, shaft, pin, and crank: hardened 17-4PH stainless steel
- Cam: CF8M stainless steel
- Poppet and bearing: Bayloy
- Seals: Baylast™, EPDM, FFKM, FKM-B, FKM-GFLT, fluorosilicone, and Hifluor

Specifications

- Seal operating temperature:
 - Baylast: -20°F to 250°F (-28°C to 121°C)
 - EPDM: -40°F to 250°F (-40°C to 120°C)
 - FFKM: 0°F to 400°F (-18°C to 204°C)
 - FKM-B: -10°F to 400°F (-23°C to 204°C)
 - FKM-GFLT: -20°F to 400°F (-28°C to 204°C)
 - Fluorosilicone: -50°F to 300°F (-40°C to 149°C)
 - Hifluor: 23°F to 350°F (-5°C to 176°C)
- Flow rate: **600 GPM** at **3 PSI** pressure drop, maximum flow rate: **1,000 GPM**
- Fully compliant with API RP1004:2003 specifications
- Burst tested: **450 PSI**

Description	Seal Material	Part #	Complete Repair Kit ¹ Part #	Replaceable Nose Seal Part #
4" API coupler	Baylast	5500BL	5500RK2	5500RK8
	EPDM	5500E	5500RK3	5500RK9
	FFKM	5500K	5500RK6	5500RK12
	FKM-B	5500B	5500RK1	5500RK7
	FKM-GFLT	5500G	5500RK5	5500RK11
	Fluorosilicone	5500F	5500RK4	5500RK10
	Hifluor	5500H	5500RK19	5500RK20

¹ Complete repair kit contains all the seals, pins, and cotter keys to replace all the seals

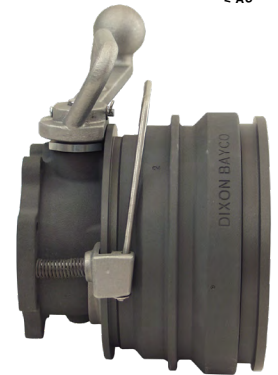
NOTE: Stainless steel handles and locking handle kit options are available please contact Dixon for a quote

API Coupler Repair Kits

Description	Part #
small parts kit for 5500-Series rack coupler	5500RK21
aluminum replacement handle kit with bolt and nut	5500RK22
stainless steel replacement handle kit with bolt and nut	5500RK23
locking handle kit	5500RK24
aluminum short handle replacement kit with bolt and nut	5500RK25
replacement poppet kit with links, pins, and cotter pin	5500RK26
replacement seal cylinder-no seal	5500RK27
replacement FKM-GFLT bearing kit for 5500	5500RK51
hanger for API rack coupler	5204H



Normal wear and tear items (including seals) not covered¹



5500-Series



Replaceable nose seal: Replace without removal from the loading arm



5500RK24

Aluminum Groove Clamps

Features

- Lightweight yet rugged. Unlike steel groove clamps that secure the pipe ends with high clamping force against the tubing/piping walls, the Dixon® aluminum bolted clamp takes the full bolt force and locks into the groove of the tube/pipe, preventing distortion of the tube/pipe diameter
- Precision forged to provide an exact fit and great appearance
- Lock nuts prevent loosening in applications with vibration

Specifications

- Temperature ratings FKM-B: 20°F to 300°F (-7°C to 149°C), Baylast™ and nitrile rubber: -20°F to 180°F (-29°C to 82°C)



DBV-BN400

Size	Seal	Part #	Max. PSI	Approx. Weight Lbs.	Bolt Torque ¹	Fuel Compatibility
2"	nitrile rubber	DBV-BN200	400	0.8	20 ft lbs	gasoline and diesel only
	FKM-B	DBV-VB200				gasoline and diesel, up to E100 and B100 biofuels
	Baylast	DBV-BL200				gasoline and diesel only
3"	nitrile rubber	DBV-BN300	170	1.1		gasoline and diesel only
	FKM-B	DBV-VB300				gasoline and diesel, up to E100 and B100 biofuels
	Baylast	DBV-BL300				gasoline and diesel only
4"	nitrile rubber	DBV-BN400	120	1.5		gasoline and diesel only
	FKM-B	DBV-VB400				gasoline and diesel, up to E100 and B100 biofuels
	Baylast	DBV-BL400				gasoline and diesel only
5"	nitrile rubber	DBV-BN500	75	2		gasoline and diesel only
	FKM-B	DBV-VB500			gasoline and diesel, up to E100 and B100 biofuels	
	Baylast	DBV-WB500			gasoline and diesel only	



¹ Bolts must be tightened evenly to prevent gasket pinching and clamp breaking. DO NOT tighten one side then the other. Over-torquing will not improve sealing and may result in failure of the clamps. DO NOT torque bolts over 30 ft-lbs.

Groove x Groove Painted Iron Clamps with Baylast Gasket

Features

- Painted red
- Baylast rated for biodiesel, ethanol, diesel, gas, and ULSD
- Groove x groove



L02BL

Size	Seal	Maximum PSI	Part #
2"	Baylast	500	L02BL
	FKM-B		L02VB
3"	Baylast	300	L03BL
	FKM-B		L03VB
4"	Baylast	300	L04BL
	FKM-B		L04VB

Replacement Clamp Gaskets

Clamp Size	Part #	Seal	Fuel Compatibility
2"	G200T	nitrile rubber (1 orange stripe)	gasoline and diesel only
3"	G300T		
4"	G400T		
2"	G200VB	FKM-B (2 red stripe)	gasoline and diesel, up to E100 and B100 biofuels
3"	G300VB		
4"	G400VB		
2"	G200BL	Baylast (2 orange stripes)	
3"	G300BL		
4"	G400BL		



G400T

Biofuel compatible

Big Mouth™ Diesel Nozzles

Features

- This nozzle is not to be used with gravity flow tanks
- Lightweight but strong
- Micro-touch valve provides smooth operation and exceptional flow control
- Roto-matic latch pin provides positive auto shut-off
- Pure PTFE packing eliminates stem leaks
- Super tough nylon hand guard

Features (cont.)

- Snap-on handle cover makes changing scuff guards easy
- With trigger hold-open clip

Approval

- Non Underwriters Listed nozzle



Female NPT Inlet	Spout Size	Intended Service	Approximate Flow Rate @ 20 PSI (GPM)	Approximate Weight Lbs.	Scuff Guard Color	Part #
1"	1-1/8"	diesel	27	3	yellow	DFN100

Fuel Master™ Diesel Nozzles

Features

- High flow capacity
- Micro-touch valve provides smooth operation and exceptional flow control
- Roto-matic latch pin provides positive auto shut-off
- Pure PTFE packing eliminates stem leaks
- Super tough nylon hand guard

Features (cont.)

- Easy to change 'locknut style' spout assembly
- With trigger hold-open clip

Approval

- Non Underwriters Listed nozzle



DFN100HF



DFN100SF

Female NPT Inlet	Spout Size	Intended Service	Approximate Flow Rate @ 20 PSI (GPM)	Approximate Weight Lbs.	Scuff Guard Color	Part #
1"	1-3/16"	diesel	35	3-1/2	green	DFN100HF
			45			DFN100SF

DEF Automatic Shutoff Nozzles

Application

- Designed for diesel exhaust fluid, aluminum body double coated inside and out with PTFE baked on at 500°F (260°C)

Materials

- Spout: stainless steel
- Wetted parts: stainless, acetal, PTFE
- Seals are FKM-A



BSPP Inlet	Spout Size	Intended Service	Approximate Flow Rate @ 20 PSI (GPM)	Approximate Weight Lbs.	Scuff Guard Color	Part #
3/4"	13/16"	diesel	30	3-1/2	blue	DEFN075

Fueler 100™ Automatic Diesel Nozzles



Application

- Tough, reliable and easy to operate automatic nozzle for fueling trucks, buses, off-road equipment and fuel oil delivery

Material

- Lightweight Tenzaloy aluminum casting

Specification

- Good flow rating of **75 GPM** at **30 PSI**
- Replaces 1124D and 1144D

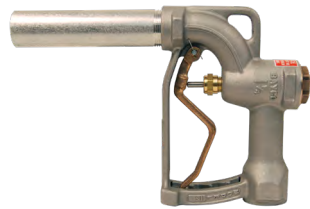
Female NPT Inlet	Spout Size	Intended Service	Approximate Flow Rate @ 30 PSI (GPM)	Approximate Weight Lbs.	Part #
1-1/4"	1-3/8"	diesel	75	6-7/8	DNOG5-NL ¹
1-1/2"					DNOG5
					DNOG6

¹ The DNOG5-NL is a 1-1/4" nozzle without the locking handle

Replacement Nozzles

Replacement for	Description	Part #
DNOG6	spout assembly with O-ring for fueler; nut not included	SF1N
	nut for DNOG6	NUT-106

Pressure Nozzles for Bulk Delivery



112D

Features

- Easy opening dash pot design with shock-less closing
- Available with or without an aluminum spout (brass spouts optional)
- Detachable and replaceable trigger ratchet

Specifications

- High flow design, 1-1/2" nozzle (112D) provides **100 GPM** flow at approx **10 PSI**

Female NPT Inlet	Outlet Type	Part #
1-1/4"	1-1/4" aluminum spout	114D
	1-1/4" female NPT	114DNS
1-1/2"	1-1/2" aluminum spout	112D
	1-1/2" female NPT	112DNS



112DNS

Replacement Spouts

Male NPT Size	Description	Part #
1-1/4"	replacement aluminum spout	1143A
	optional brass spout	1143B
1-1/2"	replacement aluminum spout	1125A
Female NPT inlet: 1-1/2", outlet type: 1-1/4"	1-1/2" spout crimped to 1-1/4"	1125A-125NPT
1-1/2"	optional brass spout	1125B

NOTE: See page 143-144 for repair kits and replacement parts



Large Capacity Low Pressure Gravity Nozzle

Female NPT Inlet	Outlet Type	Part #
1-1/4"	1-1/4" aluminum spout	1250-94

NOTE: See page 145 for repair kits and replacement parts

Ball Nozzles for Bulk Delivery

Application

- Ball nozzles have a very high flow rate and low pressure drop and are ideal for bulk oil and fuel deliveries, they are basically a full port ball valve with an inlet swivel and outlet spout

Features

- Full 1" flow path through the ball is computer designed and higher than any known competitors, which results with very low pressure drop permitting higher flow rates at lower pressure, reducing foaming or product backups
- Unique swivel design permits leak-free service, even at temperatures as low as **-40°F (-40°C)** at **100 PSI**
- Comes standard with **3 PSI** check valve, helps ensure residual fuels within the delivery hose and nozzle are contained (optional **5 PSI** check valve kit is available, order field replaceable kit BL-RK11 for 1-1/4" and 1-1/2" ball nozzles, and kit BL-RK112 for 2" super ball nozzles)
- Available with field replaceable outlet spout or quick fill swivel nut

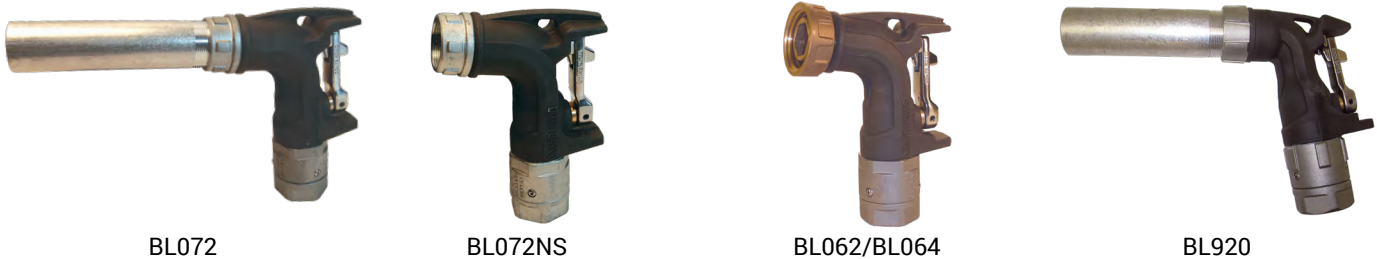
Materials

- Black anodized aluminum main body, with aluminum spout, polished stainless steel handle and latch, Bayloy inlet swivel, hardened carbon steel swivel ball race, through hardened chrome steel ball bearings, nitrile rubber and PTFE seals, acetal valve seat and stainless steel valve ball

Specification

- Manufactured to connect to NPT threaded hose connections

NOTE: All fuels contain additives, which vary by fuel brand and season. Please contact Dixon® with a list of all additives and we will advise of any known compatibility issues



Female NPT Swivel Inlet	Outlet Type	Part #
1-1/4"	quick fill nut	BL062
	1-1/4" aluminum spout	BL066
	1-1/4" female NPT	BL066NS
1-1/2"	1-1/4" aluminum spout	BL068
	1-1/4" female NPT	BL068NS
	quick fill nut	BL064
	1-1/2" aluminum spout	BL072
2"	1-1/2" female NPT	BL072NS
	2" aluminum spout	BL918
	1-1/2" aluminum spout	BL919
	2" aluminum spout	BL920

Replacement Spouts and Quick Fill Swivel Nuts

Male NPT Size	Description	Part #
1-1/4"	replacement aluminum spout	1143A
	replacement brass spout	BLS125
	bronze quick fill nut adapter for BL066NS and BL068NS	BL002
1-1/2"	replacement aluminum spout	1125A
	replacement brass spout	BLS150
	bronze quick fill nut adapter for BL072NS	BL001
2"	replacement aluminum spout	391137
	replacement bronze quick fill nut adapter for BL062 and BL064	BL005



BL002

NOTE: See pages 149-152 for repair kits and replacement parts

Product instruction sheets and technical data can be viewed on our website at canada.dixonvalve.com

Standard Low Pressure Gravity Utility Nozzles

Application

- These delivery nozzles are manual operation (do not have an automatic flow shut off) ideally suited for low pressures (maximum **25 PSI**) such as agricultural and 12 volt truck utility pumps, or gravity flow applications

Features

- Rugged design
- Good flow rating, provides **95 GPM** flow at approximately **20 PSI**
- Choice of 3/4" or 1" inlets, and a variety of outlets and spouts

Materials

- Die cast zinc body, plated steel trigger and aluminum spout, nitrile rubber seals

Specifications

- Manufactured to connect to NPT threaded hose connections

NOTE: All fuels contain additives which can vary by fuel brand and season. Please contact Dixon® with a list of all additives and we will advise of any known compatibility issues



900B

Female NPT Inlet	Outlet Type	Part #
3/4" ¹	3/4" straight spout	900S34
	3/4" bent spout	900B34
1"	1" UNS female thread (nozzle body only)	900
	3/4" straight spout	900W34S
	3/4" bent spout	900W34B
	1" straight spout	900S
	1" bent spout	900B

¹ Nozzles with 3/4" female NPT inlet, use a steel bushing to achieve 3/4" female NPT inlet

Replacement Spouts



875-5

Description	Part #
3/4" replacement straight spout	234-80-4
3/4" replacement bent spout	234-80-5
1" replacement straight spout	875-4
1" replacement bent spout	875-5

Male x Female NPT Nozzle Swivels

Sizes

- 3/4" and 1"
- 1-1/4" to 2"

Materials

- Aluminum body, brass hex nut, FKM/nitrile rubber seals, nylon cord retainer
- Bayloy body, hardened carbon steel swivel ball race, through hardened chrome steel ball bearings, nitrile rubber and PTFE seals

Specifications

- **150 PSI** maximum rating
- Manufactured to connect to NPT threaded hose and nozzle connections

Size	Description	Part #
3/4"	male NPT x female NPT	DAWS34
1"		DAWS10
1-1/4"		SWMF125
1-1/2"		SWMF150
2"		SWMF200



SWMF150

NOTE: All fuels contain additives which can vary by fuel brand and season. Please contact Dixon® with a list of all additives and we will advise of any known compatibility issues

Male NPT x Hose Shank Swivel

Size	Description	Part #
1-1/2"	male NPT x hose shank, nitrile rubber seal	1565U




1565U

NOTE: See page 147 for repair kits and replacement parts

Breakaways



DAB34 

Application

- Provides breakaway protection for high capacity fueling operations such as truck and bus terminals, mining, off-road fueling and fuel oil delivery

Features

- Nitrile rubber seals
- Unique ball valves seal both ends when separated
- Design provides consistent and reliable performance
- Lightweight
- Easy to repair
- 3/4" is Underwriter's Listed

Material

- Aluminum body

Size	Number of Brass Break Rings	Separation Force (lbs)	Part #
3/4"	2	325	DAB34
1"			DAB1



DAB15

Application

- Provides breakaway protection for high capacity fueling operations such as truck and bus terminals, mining, off-road fueling and fuel oil delivery

Features

- FKM/nitrile rubber seals
- Check valve, PTFE ball seals both ends when separated

Material

- Nickel plated aluminum body

Size	Number of Brass Break Rings	Separation Force (lbs)	Part #
1-1/4"	4	600	DAB14
1-1/2"			DAB15
2"	6	800	DAB2

Automatic Pressure/Vacuum Relief Caps for Stationary Tanks

Application

- These caps are threaded into the top of stationary (non-mobile) above ground fuel storage tanks, where they serve two purposes: a) They can be used as a thread in and lockable fuel filler cap. b) They protect the tank from expansion or implosion, the internal relief valve is normally closed, but opens to relieve internal pressure or vacuum

Features

- Normally closed vent stops fuel evaporation and airborne contaminants
- Protects tank from pressure or vacuum build-up. Relieves pressure at **2 PSI** and vacuum at 0.7 HG at a rate of 20 SCFM
- Can be used as a fuel filler cap
- Padlockable to prevent fuel theft and tampering

Materials

- Die cast zinc body, brass screen

Specifications

- Manufactured to thread into both NPS and NPT tank openings

Male NPT	Part #
2"	2000L
2-1/2"	2500L

NOTE: Not intended for use on mobile tanks. To ensure that the cap can properly vent, the vent cap must be kept free of any debris i.e. dirt, snow, ice, rags etc.



2500L

Standard Vent Caps for Stationary Tanks

Features

- Always open vent
- Protects tank from pressure or vacuum build-up
- Can be used as a fuel filler cap

Male NPS	Part #
2-1/2"	2500SFV

NOTE: Not intended for use on mobile tanks. To ensure that the cap can properly vent, the vent cap must be kept free of any debris i.e. dirt, snow, ice, rags etc.



2500SFV

Automatic Pressure/Vacuum Relief Caps for Mobile Tanks

Features

- Normally closed vent, stops fuel evaporation and airborne contaminants
- Protects tank from pressure or vacuum build-up. Relieves pressure at **7.5-9 PSI** and vacuum at .33 HG
- Can be used as a fuel filler cap
- Padlockable to prevent fuel theft and tampering

Male NPS	Part #
2"	200-PV-9

NOTE: To ensure that the cap can properly vent, the vent cap must be kept free of any debris i.e. dirt, snow, ice, rags etc.



200-PV-9

Product instruction sheets and technical data can be viewed on our website at canada.dixonvalve.com

Dixon® Cam & Groove Styles



Dixon

Features

- Precision machined to rigid tolerances
- Durable stainless steel cam arm pins will not rust or bind, providing greater strength and safety
- Recess holds gasket firmly in place - ensures proper placement
- Long shank design allows proper banding, thus eliminating the major cause of hose damage



Dixon Global

Features

- Interchanges with all products produced to A-A-59326D
- All couplers include locking safety clip
- Aluminum couplers available with brass or stainless steel cam arms
- Brass fittings are produced by forging process providing greater structural integrity and mechanical strength



Boss-Lock

Features

- The cast-in lugs allow safety clips to be attached once the lugs are passed through slots in the special cam lever arms, providing a patented safety feature. The clips prevent the coupler from being unlocked until they are removed, providing a *positive locking action*.
- Boss-Lock investment stainless steel cam arms are guaranteed! Should you break a Boss-Lock investment stainless steel cam arm, return it to the nearest warehouse for a free replacement.
- The pull ring safety clip simplifies the locking action on Boss-Lock couplers. No more inserting clips or dangling lanyards, just a twist and it's locked, giving you a low-profile positive locking action.



EZ Boss-Lock

Features

- No more fumbling with clamps, wire, clips, or pins, just close the handles and the locking mechanism is engaged
- Extremely easy to open, the release lever is under your thumb when you want to open the fitting; ergonomic
- Can be supplied with custom shanks; also available with swaged and PF shanks for hard-to-couple chemical hoses
- EZ Boss-Lock investment stainless steel cam arms are guaranteed! Should you break one, return it to the nearest warehouse for a free replacement.

Dixon® Cam & Groove Styles

Vent-Lock® Safety

Features

- Safety release cam & groove couplings permit the release of static pressure when disconnecting hose assemblies
- Venting system protects operator from being sprayed with hazardous or non-hazardous fluids or solids
- Does not interchange with standard cam & groove products; use only with Vent-Lock L-style fittings



Venting EZ Boss-Lock

Features

- Unique Dixon system for safely venting systems under pressure
- Utilizes EZ Boss-Lock cam arms in addition to EZLink® tabs that create a secondary positive locking mechanism
- Connects to standard cam & groove adapters
- Design allows for a more ergonomic and safe experience for user

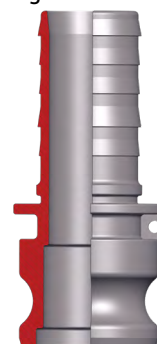


Cam & Groove Configurations

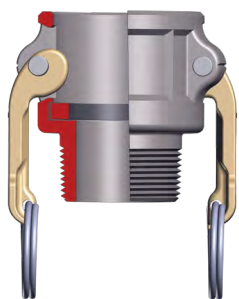
Configurations are representative of the Dixon® line of cam & groove.



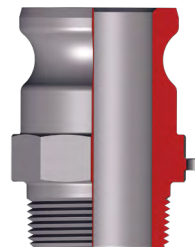
Type A
adapter x female NPT



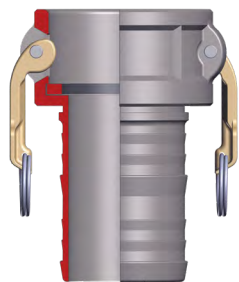
Type E
adapter x hose shank



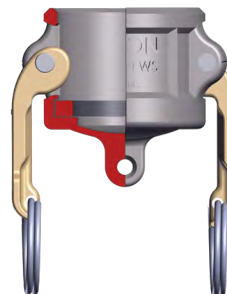
Type B
coupler x male NPT



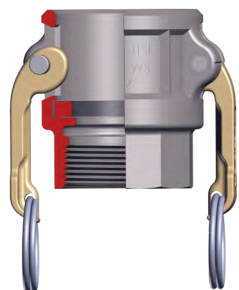
Type F
adapter x male NPT



Type C
coupler x hose shank



Type DC¹
dust cap



Type D
coupler x female NPT



Type DP¹
dust plug

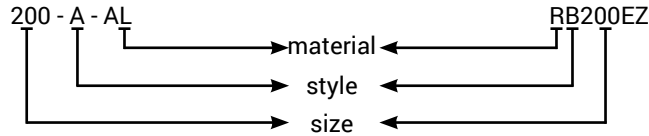


¹ Dust caps and dust plugs are not to be used in pressure applications for safety and environmental reasons.

WARNING

Under no circumstances should cam & groove couplings be used for compressed air or steam service!

Ordering System



Size represents the coupler or adapter and hose or pipe end (i.e. 200 = 2"). If the coupling is a jump size, the coupler or adapter is the first size (i.e. 4030-C is 4" coupler to 3" hose shank).

Operation of Cam & Groove

1. To make connection, slide the adapter into the coupler and, with normal hand pressure, press the cam levers down.
2. Uncoupling is as quick and simple as coupling. Just lift the cam arms and remove the adapter.

Specifications on Dixon® Cam & Groove

Specifications

- Dixon, Boss-Lock, and EZ Boss-Lock cam & groove couplers and adapters are produced to interchange with all product produced to Commercial Item Description A-A-59326D.
- No standard exists for the 1/2", 5", and 8" fittings, and generally these sizes do not interchange with other manufacturers' products.
- Dust caps and dust plugs are **not** to be used in pressure applications for safety and environmental reasons.
- *Designed for use with liquids*; consult Dixon for specific recommendations.

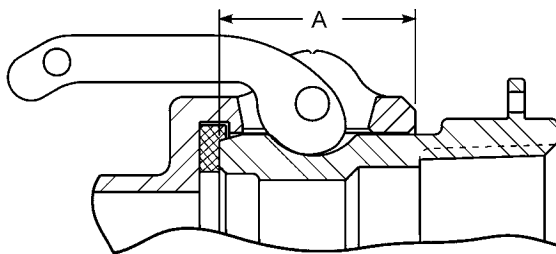
Pressure Ratings

Recommendations based on the use of mating Dixon fittings at ambient temperature **70°F (21°C)** with standard nitrile rubber seal installed. For use at elevated temperature or other unusual operating conditions, consult Dixon. Dixon, Boss-Lock, and EZ Boss-Lock couplers' and adapters' maximum working pressures are as follows:



Size	1/2"	3/4" thru 2"	2-1/2"	3"	4"	5" and 6"	8"
PSI	150	250	150	125	100	75	50
PSI (working pressure with King Crimp® ferrule system)	150	250	150	150	150	75	50

Cam & Groove Nominal Take-Up Lengths



Coupling Size	Dimension A
1/2"	0.97"
3/4"	0.97"
1"	1.20"
1-1/4"	1.44"
1-1/2"	1.50"
2"	1.81"
2-1/2"	1.82"
3"	1.78"
4"	1.84"
5"	2.00"
6"	2.13"
8"	2.06"
8"	3.22"

NOTE: For more information on sizes and styles see Dixon Product List 2024

FloTech® Overfill Detection System



All FloTech electronics manufactured after January 1, 2015 are covered by our 5 year warranty.

Product instruction sheets and technical data can be viewed on our website at canada.dixonvalve.com

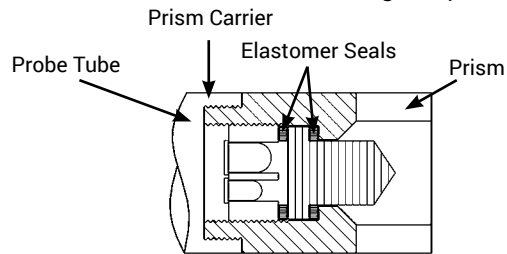
FloTech® Overfill Detection Products


Application

- The overfill detection system used on petroleum cargo tanks typically consists of a sensor mounted in each tank compartment, an onboard monitor located near the bottom loading valves and an API compatible socket. The overfill system is intended to detect a pending overfill condition inside the cargo tank compartment and signal the loading rack to close the fuel supply control valve, to prevent a spill of product. These systems are required by law as part of the bottom loading system and considered a secondary emergency shut off device. The overfill system is typically triggered when the primary metering system fails to load the cargo tank compartment with the correct volume of product

Features

- Knowledge and experienced design: Dixon® electronic staff are seasoned veterans when it comes to overfill systems. Our employees have years of experience in electronics, manufacturing and most important, with in-the-field trouble shooting of overfill terminal and tanker installations. That is why we have focused on easy, drop-in replacement features with improved probe life, and why we have included heavy duty hardware made from premium, corrosion resistant materials
- Trouble free probes and sensors: FloTech brand probes/sensors do not use epoxy bonded prisms as a means to seal the prism. Therefore, they are not subject to malfunction due to epoxy/prism interface separation. FloTech brand probes/sensors incorporate a double elastomer design which seals and secures the sensitive optic prism tip. The elastomer seals are flexible allowing thermal expansion and resistance to steam cleaning and petroleum chemical attack




- "Best in Class" technical support: Our goal is to provide the most reliable overfill components and system available on the market today. Over the years the FloTech brand has earned a reputation for reliable overfill components compatible with other common systems. Don't take our word on this; ask one of our many customers!
- Easy Installation: FloTech brand items are shipped with easy to follow installation instructions and manuals (also available online at canada.dixonvalve.com under the Resources menu, select Petroleum and Dry bulk products). If you need a little extra help call our North American toll free technical service hot line at 877.582.3569 (or from other parts of the world, dial 001-513-874-8499). In fact, call us with any overfill system questions (regardless of the brand) and we will work with you to help solve the problem. FloTech brand components are manufactured to be installed easily, even on other systems. We designed them to be drop-in compatible with API systems being used around the world
- Products in stock, delivered on time: FloTech brand products are stocked at Dixon locations throughout the world. Most orders can be processed and delivered within 24 hours. We know that downtime costs you money so we do everything we can to ensure you receive your parts when you need them
- A great product with an unparalleled warranty: FloTech brand products are covered by a five year limited warranty. The warranty is part of the total system that makes FloTech overfill detection the best choice for your operation. See limited warranty on the inside back cover for details
- Biofuel compatible: up to E100 (100% ethanol) and B100 (100% biodiesel). For detailed fuel compatibility, please refer to the chart shown on page 3 
- Probes are rated to 36 PSIG per 49 CFR 178.345-5 temperature range **-40°F (-40°C)** to **160°F (71°C)** refractive index range 1.37 to 1.60 viscosity less than 1000 SSU

Materials

- Dependent upon the component, see each product section for materials

Specifications

- Manufactured to American Petroleum Institute standard API RP-1004, which allows for drop in interchange ability with other brands

Biofuel compatible, see fuel compatibility chart on page 3 for more information 

Product instruction sheets and technical data can be viewed on our website at canada.dixonvalve.com

FloTech® Checkmate Overfill/Retain Plug-n-Play System



Application

- The reason for many overfill system breakdowns is failed or poor wiring connections. The required amperage within the overfill system is so low that any poorly wired or corroded wiring connections tend to fail (the low current cannot pass through corrosion or poor connections). To remove the possibility of wiring system problems, Dixon® has introduced the FloTech Plug-n-Play system, all the wire connections are prewired and tested at the factory using high quality weather proof cables and plugs. Plug-n-Play system installation takes a fraction of the time to install when compared to conventional systems, just mount all the components and simply plug them all together

Features

- Prewired cables and plugs on sensors, wiring harnesses, onboard monitor and sockets, make it simple to install our Plug-n-Play system in much less time than conventional systems
- Secure and weather tight connections all the time remove the possibility of poor wiring connections. Sealed connectors pass IP67 and DIN40050 salt spray tests
- Easy installation: literally Plug-n-Play, just mount the components and plug them all together
- Biofuel compatible up to E100 (100% ethanol) and B100 (100% biodiesel)

Materials

- Dependent upon the component, see each product section for materials

Specification

- Manufactured to American Petroleum Institute standard API RP-1004, which allows for interchangeability

Monitors with Integrated Dual Sockets

Features

- Integrated optic and thermistor dual sockets with onboard monitor all in one aluminum case
- Takes less space than utilizing separate sockets and monitor
- Prewired and factory tested with Plug-n-Play cabling and plugs, eliminates hours of manual crimped wire connections and removes the problems and worries associated with connection problems
- Includes water-tight integrated fuse holder, all stainless steel hardware and terminal blocks prevent corrosion
- Built-in configurable high current relay output for pump or signal control
- Color coded display shows well on trailers
- Sockets come standard with FloTech unique guaranteed for life stainless steel wear rings


Available Integrated Options:

- Top (overfill) only monitoring, or both top (overfill) and bottom (retain) monitoring
- Pre-wired ground bolt
- Pre-wired pressure sensor which can be used to interlock brakes or vapor vents
- Pre-wired Trailer Identification Module
- Pre-wired dual male pin power cord



Part #	Plug-n-Play Connections		Available Accessories Installed					Sockets	
	Top Overfill Detection	Bottom Retain Detection	Ground Bolt	Pressure Sensor Switch	Trailer ID Module	Dual Male Pin-Power Cord	Stainless Steel 'Guaranteed for Life' Wear Rings	Optic	Thermistor
FT208-390	---	---	---	---	---	---	✓	5 contact pins, 3 J-slots	10 contact pins, 4 J-slots
FT208-390G	---	---	✓	---	---	---	✓		
FT208-390GS	---	---	✓	✓	---	---	✓		
FT208-390GST	---	---	✓	✓	✓	---	✓		
FT208-390GT	---	---	✓	---	✓	---	✓		

Product instruction sheets and technical data can be viewed on our website at canada.dixonvalve.com

Biofuel compatible 

**FloTech® Checkmate Overfill/Retain Plug-n-Play System
Monitors with Integrated Dual Sockets (continued)**



Part #	Plug-n-Play Connections		Available Accessories Installed					Sockets	
	Top Overfill Detection	Bottom Retain Detection	Ground Bolt	Pressure Sensor Switch	Trailer ID Module	Dual Male Pin-Power Cord	Stainless Steel 'Guaranteed for Life' Wear Rings	Optic	Thermistor
FT208-390P	✓	---	---	---	---	---	✓	5 contact pins, 3 J-slots	10 contact pins, 4 J-slots
FT208-390PG	✓	---	✓	---	---	---	✓		
FT208-390PGS	✓	---	✓	✓	---	---	✓		
FT208-390PGST	✓	---	✓	✓	✓	---	✓		
FT208-390PGT	✓	---	✓	---	✓	---	✓		
FT208-390PGSO	✓	---	✓	✓	---	✓	✓		
FT208-390PGSTO	✓	---	✓	✓	✓	✓	✓		
FT208-390PP	✓	✓	---	---	---	---	✓		
FT208-390PPG	✓	✓	✓	---	---	---	✓		
FT208-390PPGS	✓	✓	✓	✓	---	---	✓		
FT208-390PPGST	✓	✓	✓	✓	✓	---	✓		
FT208-390PPGT	✓	✓	✓	---	✓	---	✓		
FT208-390PPGSO	✓	✓	✓	✓	---	✓	✓		
FT208-390PPGSTO	✓	✓	✓	✓	✓	✓	✓		
FT208-391P	✓	---	---	---	---	---	✓	5 contact pins, 4 J-slots	10 contact pins, 4 J-slots
FT208-391PG	✓	---	✓	---	---	---	✓		
FT208-391PGS	✓	---	✓	✓	---	---	✓		
FT208-391PGST	✓	---	✓	✓	✓	---	✓		
FT208-391PGT	✓	---	✓	---	✓	---	✓		
FT208-391PP	✓	✓	---	---	---	---	✓		
FT208-391PPG	✓	✓	✓	---	---	---	✓		
FT208-391PPGS	✓	✓	✓	✓	---	---	✓		
FT208-391PPGST	✓	✓	✓	✓	✓	---	✓		
FT208-391PPGT	✓	✓	✓	---	✓	---	✓		

NOTE: See pages 153-155 for repair kits and replacement parts

Product instruction sheets and technical data can be viewed on our website at canada.dixonvalve.com

Biofuel compatible 

FloTech® Checkmate Overfill/Retain Plug-n-Play System Stand Alone Monitors



monitor



FT295

Features

- Prewired and factory tested with Plug-n-Play cabling and plugs, eliminates hours of manual crimped wire connections, and removes the problems and worries associated with connection problems
- Includes water-tight integrated fuse holder, all stainless steel hardware and terminal block within the aluminum housing
- High tech color-coded display shows well on trailers
- Monitors include advanced diagnostic capabilities as well as signal translation abilities for all socket types (optic, thermistor or float). The system offers true load at any rack compatibility

Available Integrated Options:

- Top (overflow) only monitoring, or both top (overflow) and bottom (retain) monitoring

Part #	Checkmate Monitor with Plug-N-Play Connectors
FT208P	top overflow protection only
FT208PP	top overflow and bottom retain detection
FT208PPC	top overflow and bottom retain detection, for Canadian 'b' trains
FT208PSS	dual pressure switches
FT208LCM	checkmate load control monitor
FT295	alarm interface module assembly

NOTE: See page 154 for repair kits and replacement parts

Stand Alone Socket Assemblies

Features

- Pre-wired and factory tested with Plug-n-Play cables and plugs, eliminates hours of manual crimping, and removes the problems and worries associated with connection problems
- Aluminum housings, with either aluminum hardcoat or stainless steel wear rings, stainless steel contact pins
- Dual and triple socket assemblies take less space than multiple single sockets

Available Integrated Options:

- Pre-wired internal ground wire (dual or triple socket assemblies)
- Pre-wired Trailer Identification Module (dual or triple socket assemblies)
- FT300P and FT301P sockets are available with FloTech unique guaranteed for life stainless steel wear rings as options. Plug-n-Play dual and triple sockets come standard with guaranteed for life stainless steel wear rings



FT390PG-20

Part #	Socket	API Optic	Thermistor	Optic J560	Internal Ground Wire
FT300P	single socket	5 contact pins and 3 J-slot	---	---	---
FT300PG	single socket	5 contact pins and 3 J-slot	---	---	✓
FT300GT	API optic socket with cap, ground wire and TIM to the single sockets with aluminum hardcoat J-slot section				
FT301P	single socket	---	8 contact pins and 4 J-slot	---	---
FT306P	single socket	---	---	✓	---
FT390PG-20 ¹	dual socket, 20' cable	5 contact pins and 3 J-slot	10 contact pins and 4 J-slot	---	✓
FT390PGT-20	dual socket, 20' cable	---	---	---	✓
FT394P ¹	triple socket	5 contact pins and 3 J-slot	10 contact pins and 4 J-slot	✓	---
FT394PG ¹	triple socket	5 contact pins and 3 J-slot	10 contact pins and 4 J-slot	✓	✓
FT394VP ¹	triple socket vertical arrangement	5 contact pins and 3 J-slot	10 contact pins and 4 J-slot	✓	---
FT394VPG ¹	triple socket vertical arrangement	5 contact pins and 3 J-slot	10 contact pins and 4 J-slot	✓	✓
FT395P-20 ²	triple socket, 20' cable	5 contact pins and 4 J-slot	10 contact pins and 4 J-slot	✓	---
FT395PG-20 ²	triple socket, 20' cable	5 contact pins and 4 J-slot	10 contact pins and 4 J-slot	✓	✓
FT391P-20	dual socket, 20' of Plug-n-Play cable, 4 J-slot				
FT391PG-20	dual socket, 20' of Plug-n-Play cable, 4 J-slot, internal ground wire				

NOTE: See pages 156-161 for repair kits and replacement parts

^{1, 2} Guaranteed for life stainless steel wear rings included (U.S.¹, Canada²)

Product instruction sheets and technical data can be viewed on our website at canada.dixonvalve.com

Biofuel compatible 

FloTech® Checkmate Overfill/Retain Plug-n-Play System Overfill Sensors

Features

- Overfill detection sensors are intended to detect a pending overfill condition inside the fuel tank compartment. When they are wetted (come in contact with the fuel) they signal the fuel loading rack to close the fuel supply control valve, to prevent a spill of product
- Prewired and factory tested with Plug-n-Play cabling and plugs, eliminates hours of manual crimped wire connections, and removes the problems and worries associated with connection problems. Easy to install, just mount the housing into the tank and plug the cables together
- Trouble free probes: FloTech brand probes incorporate a double elastomer design which seals and secures the sensitive glass optic prism tip. The elastomer seals are flexible allowing thermal expansion and resistance to steam cleaning and petroleum chemical attack
- Custom lengths available upon request
- The FT151P-Series sensor housing contains a Plug-n-Play probe in a cast aluminum housing. The sensor housing has a 2" NPT mounting thread, heavy duty stainless steel hardware, and FKM probe seal. Install into either a 2" NPT threaded port or a 2-3/8" diameter tank opening using the gasket and locking nut provided. All screws and rings are heavy duty stainless steel for easy assembly and long life



Part #	Description	Replacement Probes
FT151P	housing with 7" Plug-n-Play overfill detection probe, with Plug-n-Play harness connector	FT150P
FT151P-12	housing with 12" Plug-n-Play overfill detection probe, with Plug-n-Play harness connector	FT150P-12
FT151P-18	housing with 18" Plug-n-Play overfill detection probe, with Plug-n-Play harness connector	FT150P-18

NOTE: See page 161 for repair kits and replacement parts

Retain Sensors

Features

- Retain sensors inform the loading terminal if the tank compartments are empty, or if there is product left in the tank prior to re-loading the tank (product has been retained)
- Prewired and factory tested with Plug-n-Play cabling and plugs, eliminates hours of manual crimped wire connections, and removes the problems and worries associated with connection problems. Easy to install, just mount the housing into the tank and plug the cables together
- Trouble Free Probes: FloTech brand probes/sensors incorporate a double elastomer design which seals and secures the sensitive optic prism tip. The elastomer seals are flexible allowing thermal expansion and resistance to steam cleaning and petroleum chemical attack
- The FT152 sensor is a bottom retain detection sensor. Sensor is shipped with a 1/2" NPT weld-on aluminum half coupling for mounting. The main sensor portion is stainless steel to prevent galling in the tank. The wiring box is plastic to prevent corrosion



Part #	Description
FT152P	housing with Plug-n-Play retain probe, with Plug-n-Play harness connector

NOTE: See page 162 for repair kits and replacement parts

Product instruction sheets and technical data can be viewed on our website at canada.dixonvalve.com

Biofuel compatible 

FloTech® Checkmate Overfill/Retain Plug-n-Play System Wiring Harnesses



Features

- Pre-wired and factory tested with Plug-n-Play cabling and plugs, eliminates hours of manual crimped wire connections, and removes the problems and worries associated with connection problems. Easy to install, just mount all the components (sensors, sockets, monitors) onto the tank and plug them into the pre-configured harness
- Plug-n-Play cable harnesses come pre-configured for the type of tank (truck mounted tanks or for full length tank trailers) the number of tank compartments, standard harnesses have been designed to fit most standard tank configurations
- Custom length harnesses are available
- Secure and weather tight connections all the time, remove the possibility of poor wiring connections. Sealed connectors pass IP67 and DIN40050 salt spray tests

Overfill Detection Plug-n-Play Cable Harnesses for Full Length Tank Trailers

Part #	Description
FT20801	one compartment tank trailer. Overfill detection (top) cable harness with Plug-n-Play connections
FT20802	two compartment tank trailer. Overfill detection (top) cable harness with Plug-n-Play connections
FT20803	three compartment tank trailer. Overfill detection (top) cable harness with Plug-n-Play connections
FT20804	four compartment tank trailer. Overfill detection (top) cable harness with Plug-n-Play connections
FT20805	five compartment tank trailer. Overfill detection (top) cable harness with Plug-n-Play connections
FT20806	six compartment tank trailer. Overfill detection (top) cable harness with Plug-n-Play connections

Retain Detection Plug-n-Play Cable Harnesses for Full Length Tank Trailers

Part #	Description
FT20801S	one compartment tank trailer. Retain (bottom) cable harness with Plug-n-Play connections
FT20802S	two compartment tank trailer. Retain (bottom) cable harness with Plug-n-Play connections
FT20803S	three compartment tank trailer. Retain (bottom) cable harness with Plug-n-Play connections
FT20804S	four compartment tank trailer. Retain (bottom) cable harness with Plug-n-Play connections
FT20805S	five compartment tank trailer. Retain (bottom) cable harness with Plug-n-Play connections
FT20806S	six compartment tank trailer. Retain (bottom) cable harness with Plug-n-Play connections


Overfill Detection Plug-n-Play Cable Harnesses for Truck Mounted Tanks

Part #	Description
FT20801TWS	one compartment truck mounted tank. Overfill detection (top) cable harness with Plug-n-Play connections
FT20802TWS	two compartment truck mounted tank. Overfill detection (top) cable harness with Plug-n-Play connections
FT20803TWS	three compartment truck mounted tank. Overfill detection (top) cable harness with Plug-n-Play connections
FT20804TWS	four compartment truck mounted tank. Overfill detection (top) cable harness with Plug-n-Play connections
FT20805TWS	five compartment truck mounted tank. Overfill detection (top) cable harness with Plug-n-Play connections
FT20806TWS	six compartment truck mounted tank. Overfill detection (top) cable harness with Plug-n-Play connections

Monitor to Harness Extensions

Part #	Description
FT20800-EXT-2FT	2' monitor to harness extension
FT20800-EXT-8	8' monitor to harness extension
FT20800-EXT-25	25' monitor to harness extension
FT20800-EXT-36	36' monitor to harness extension

Product instruction sheets and technical data can be viewed on our website at canada.dixonvalve.com

Biofuel compatible 

FloTech® Checkmate Overfill Detection (Black and White 2 Wire) Systems (Top Detection Only)

Features

- FloTech brand overfill system kits provide everything needed to install a new overfill system on your tank. One to eight compartment kits are available from our inventory. Systems include: 1 FT208 monitor, 1 FT151 overfill sensor per compartment, FT404 cable and FT402 strain reliefs (cable glands)
- Other probe lengths are available

Part #	Description
FT2801	checkmate, 1 compartment system (top only)-7" probes
FT2802	checkmate, 2 compartment system (top only)-7" probes
FT2803	checkmate, 3 compartment system (top only)-7" probes
FT2804	checkmate, 4 compartment system (top only)-7" probes
FT2805	checkmate, 5 compartment system (top only)-7" probes
FT2806	checkmate, 6 compartment system (top only)-7" probes
FT2807	checkmate, 7 compartment system (top only)-7" probes
FT2808	checkmate, 8 compartment system (top only)-7" probes
FT2801-12	checkmate, 1 compartment system (top only)-12" probes
FT2802-12	checkmate, 2 compartment system (top only)-12" probes
FT2803-12	checkmate, 3 compartment system (top only)-12" probes
FT2804-12	checkmate, 4 compartment system (top only)-12" probes
FT2805-12	checkmate, 5 compartment system (top only)-12" probes
FT2806-12	checkmate, 6 compartment system (top only)-12" probes
FT2807-12	checkmate, 7 compartment system (top only)-12" probes
FT2808-12	checkmate, 8 compartment system (top only)-12" probes



NOTE: Please refer to chart on pages 76-79 for cross references to other manufacturer part numbers

FloTech Checkmate Overfill Detection (Black and White 2 Wire) Systems (Top and Bottom)

Features

- FloTech brand overfill system kits provide everything needed to install a new overfill system on your tank. One to eight compartment kits are available from our inventory. Systems include: (1) FT208 monitor, (1) FT151 overfill sensor and (1) FT152 retain sensor per compartment, FT404-150 cable and FT403 strain reliefs (cable glands)
- Other probe lengths are available

Part #	Description
FT2811	checkmate, 1 compartment system (overfill and retain)-7" probes
FT2812	checkmate, 2 compartment system (overfill and retain)-7" probes
FT2813	checkmate, 3 compartment system (overfill and retain)-7" probes
FT2814	checkmate, 4 compartment system (overfill and retain)-7" probes
FT2815	checkmate, 5 compartment system (overfill and retain)-7" probes
FT2816	checkmate, 6 compartment system (overfill and retain)-7" probes
FT2817	checkmate, 7 compartment system (overfill and retain)-7" probes
FT2818	checkmate, 8 compartment system (overfill and retain)-7" probes
FT2811-12	checkmate, 1 compartment system (overfill and retain)-12" probes
FT2812-12	checkmate, 2 compartment system (overfill and retain)-12" probes
FT2813-12	checkmate, 3 compartment system (overfill and retain)-12" probes
FT2814-12	checkmate, 4 compartment system (overfill and retain)-12" probes
FT2815-12	checkmate, 5 compartment system (overfill and retain)-12" probes
FT2816-12	checkmate, 6 compartment system (overfill and retain)-12" probes
FT2817-12	checkmate, 7 compartment system (overfill and retain)-12" probes
FT2818-12	checkmate, 8 compartment system (overfill and retain)-12" probes



NOTE: Please refer to chart on pages 76-79 for cross references to other manufacturer part numbers

FloTech® Checkmate Overfill/Retain (Black and White 2 Wire) System Replacement Parts Checkmate Onboard Monitors

Features

- Easy to follow programming guide for up to eight compartments top only or top and bottom service with the same monitor
- Monitor can be programmed up to 100,000 times without sending it back to the factory
- Stainless steel terminal blocks resist rusting of contacts
- Stainless steel hardware is used on all products
- Powder coated color matched components for exceptional appearance
- Auxiliary input for Hobbs type switches
- Power control relay output
- Drop-in compatibility with competitors products, see compatibility chart on pages 76-79
- Wide input power 12-24 VDC
- Monitors include advanced diagnostic capabilities as well as signal translation abilities for all socket types (optic, thermistor or float). The system offers true load at any rack compatibility

Available integrated options

- Optional FloTech feature (patent pending) is only available on checkmate model onboard monitors. Data Link™ gives maintenance staff the ability to download the performance and diagnostic history of the overfill system. Plug the FloTech hand-held diagnostic terminal, into the checkmate monitor and download to your PC. A time and date stamped report is generated, showing the history of every wetted or failed sensor, rack connection, auxiliary input and load/unload data



FT208

Part #	Description
FT208	checkmate programable monitor and housing
FT207	checkmate programable replacement monitor only (no housing)

NOTE: See page 167 for repair kits and replacement parts
Please refer to chart on pages 76-79 for cross references to other manufacturer part numbers

Overfill Detection Sensors

Features

- The FloTech thermo-optic 2 wire probe is electronically and mechanically compatible for drop-in replacement of other commonly used 2-wire probes with black and white wires. Providing the fast response and reliability of optic technology in a thermistor application
- Custom probe lengths available upon request
- The sensor housing contains a black and white 2 wire probe in a cast aluminum housing. The sensor housing has a 2" NPT mounting thread, heavy duty stainless steel hardware, and FKM probe seal. Install into either a 2" NPT threaded port or 2-3/8" diameter tank opening using the gasket and locking nut provided



FT151

Part #	Description	Replacement Probes
FT151	housing with 7" black and white 2 wire overfill detection probe	FT150
FT151-12	housing with 12" black and white 2 wire overfill detection probe	FT150-12
FT151-18	housing with 18" black and white 2 wire overfill detection probe	FT150-18

Retain Sensors

Features

- Retain sensors inform the loading terminal if the tank compartments are empty, or if there is product left in the tank prior to re-loading the tank (product has been retained)
- Sensor is shipped with a 1/2" NPT weld-on aluminum half coupling for mounting. The main sensor portion is stainless steel to prevent galling in the tank. The wiring box is nylon to prevent corrosion and is removable to facilitate installation. Our three port housing design is compatible with previous in-line and parallel dual port housing




FT152

Part #	Description
FT152	housing with black and white 2 wire retain probe

NOTE: See page 164 for repair kits and replacement parts

Product instruction sheets and technical data can be viewed on our website at canada.dixonvalve.com

Biofuel compatible 

FloTech® ROM Type Overfill Detection (Red and Black 2 Wire) Systems (Top Detection Only)

Features

- FloTech brand overfill system kits provide everything needed to install a new overfill system on your tank. One to six compartment kits are available from our inventory. Systems include: 1 FT204P monitor, 1 FT202 overfill sensor per compartment, FT401 (100') cable and FT402 (20 pieces) strain reliefs (cable glands). Sockets, inline fuse, and instruction booklet sold separately
- Other probe lengths are available

Part #	Description
FT2101	ROM type, 1 compartment system (top only)-7" probes
FT2102	ROM type, 2 compartment system (top only)-7" probes
FT2103	ROM type, 3 compartment system (top only)-7" probes
FT2104	ROM type, 4 compartment system (top only)-7" probes
FT2105	ROM type, 5 compartment system (top only)-7" probes
FT2106	ROM type, 6 compartment system (top only)-7" probes
FT2101-12	ROM type, 1 compartment system (top only)-12" probes
FT2102-12	ROM type, 2 compartment system (top only)-12" probes
FT2103-12	ROM type, 3 compartment system (top only)-12" probes
FT2104-12	ROM type, 4 compartment system (top only)-12" probes
FT2105-12	ROM type, 5 compartment system (top only)-12" probes
FT2106-12	ROM type, 6 compartment system (top only)-12" probes



FloTech ROM Type Overfill/Retain Detection (Red and Black 2 Wire) Systems (Top and Bottom)

Features

- FloTech brand overfill system kits provide everything needed to install a new overfill system on your tank. One to six compartment kits are available from our inventory. Systems include: 1 FT204P monitor, 1 FT202 overfill sensor, and 1 FT206 retain sensor per compartment, FT401 (100') cable and FT403 (30 pieces) strain reliefs (cable glands). Sockets, inline fuse, and instruction booklet sold separately
- Other probe lengths are available

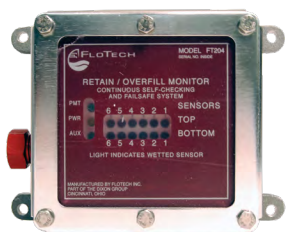
Part #	Description
FT2001	ROM type, 1 compartment system (overfill and retain)-7" probes
FT2002	ROM type, 2 compartment system (overfill and retain)-7" probes
FT2003	ROM type, 3 compartment system (overfill and retain)-7" probes
FT2004	ROM type, 4 compartment system (overfill and retain)-7" probes
FT2005	ROM type, 5 compartment system (overfill and retain)-7" probes
FT2006	ROM type, 6 compartment system (overfill and retain)-7" probes
FT2001-12	ROM type, 1 compartment system (overfill and retain)-12" probes
FT2002-12	ROM type, 2 compartment system (overfill and retain)-12" probes
FT2003-12	ROM type, 3 compartment system (overfill and retain)-12" probes
FT2004-12	ROM type, 4 compartment system (overfill and retain)-12" probes
FT2005-12	ROM type, 5 compartment system (overfill and retain)-12" probes
FT2006-12	ROM type, 6 compartment system (overfill and retain)-12" probes



FloTech® ROM Type Overfill/Retain (Red and Black 2 Wire) System Replacement Parts ROM Type Onboard Monitors

Features

- Easy to follow programming guide for up to six compartments top only or top and bottom service with the same monitor
- Monitor can be programmed up to 100,000 times without sending it back to the factory
- As the monitor is programmed for the number of compartments, terminators are not required
- Stainless steel terminal blocks resist rusting of contacts
- Stainless steel hardware is used on all products
- Powder coated color matched components for exceptional appearance
- Auxiliary input
- Wide input power 12-24 VDC
- Drop-in compatibility with competitors products, see compatibility chart on pages 76-79
- Monitors include advanced diagnostic capabilities as well as signal translation abilities for all socket types (optic, thermistor or float). The system offers true load at any rack compatibility



FT204P

Part #	Description
FT204P	FloTech ROM type programmable monitor and housing
FT203P	FloTech ROM type programmable replacement monitor only (no housing)
FT203P-SPEC	FloTech ROM type programmable replacement monitor with 8-hole cover (no housing or frame)

NOTE: See page 166 for repair kits and replacement parts

Overfill Detection Sensors

Features

- Overfill detection sensors are intended to detect a pending overfill condition inside the fuel tank compartment. When they are wetted (come in contact with the fuel) they signal the fuel loading rack to close the fuel supply control valve, to prevent a spill of product
- The FloTech optic 2 wire probe is electronically and mechanically compatible for drop-in replacement of other commonly used 2-wire probes with red and black wires, such as the Civacon ROM system
- All FloTech brand probes are trouble-free probes they come with a unique dual elastomer seal for the glass optic prisms. The elastomer seals are flexible allowing thermal expansion and resistance to steam cleaning and temperature changes, along with resistance to petroleum chemical attack. The replacement probes have a smooth tapered tip design for easy replacement installation into the sensor housing without gasket damage
- Custom probe lengths available upon request
- The sensor housing contains a red and black 2 wire probe, in a cast aluminum housing. The sensor housing has a 2" NPT mounting thread, heavy duty stainless steel hardware, and FKM probe seal. Install into either a 2" NPT threaded port or 2-3/8" diameter tank opening using the gasket and locking nut provided. All screws and rings are heavy duty stainless steel for easy assembly and long life



FT202

Part #	Description	Replacement Probes
FT202	housing with 7" red and black 2 wire overfill detection probe	FT201
FT202-12	housing with 12" red and black 2 wire overfill detection probe	FT201-12
FT202-18	housing with 18" red and black 2 wire overfill detection probe	FT201-18

NOTE: See page 163 for repair kits and replacement parts
Please refer to chart on pages 76-79 for cross references to other manufacturer part numbers

**FloTech® ROM Type Overfill/Retain (Red and Black 2 Wire) System
Replacement Parts
Retain Sensors**



Features

- The FT206 is a retain detection sensor shipped with a 1/2" NPT weld-on aluminum half coupling for mounting. The main portion is stainless steel to prevent galling in the tank. The wiring box is plastic to prevent corrosion and is removable to facilitate installation. The side ports come out of the same side (like the overfill sensors) to make wiring easier. The FT206 is compatible with Civacon model 1000 and the Civacon ROM System. Our three port housing design is compatible with previous inline and parallel dual port housings
- Trouble free probes: FloTech brand probes/sensors incorporate a double elastomer design which seals and secures the sensitive optic prism tip. The elastomer seals are flexible allowing thermal expansion and resistance to steam cleaning and petroleum chemical attack

Part #	Description
FT206	housing with red and black 2 wire retain probe

NOTE: See page 164 for repair kits and replacement parts
Please refer to chart on pages 76-79 for cross references to other manufacturer part numbers

FloTech® FT151RL ROM Link™ Replacement Parts

Application

- The FT151RL is designed to replace the complete ROM Link sensor assembly. Simply remove the Civacon sensor housing from the manhole lid and install the FloTech FT151RL or FT151RL-12. Plug the FT151RL into the wiring harness using our connector adapter and the change out is complete

Features

- Trouble free probes: FloTech brand probes incorporate a double elastomer design which seals and secures the sensitive glass optic prism tip. The elastomer seals are flexible allowing thermal expansion and resistance to steam cleaning and petroleum chemical attack
- Unlike our competitors, FloTech probes do not use internal coil cord connectors which consistently fail in moisture. All FloTech Plug-n-Play probes are prewired to our harness connector, which has proven itself in moisture
- FloTech sensor housings have a sturdy bolt on cap to better seal out water
- The FT151RL includes an adapter connector to permit interchange between Civacon’s ROM Link system and the FloTech FT150RL sensor
- Custom lengths available upon request
- The FT151RL sensor housing contains a Plug-n-Play probe. The sensor housing has a 2" NPT mounting thread, heavy duty stainless steel hardware, and FKM probe seal. Install into either a 2" NPT threaded port or a 2-3/8" diameter tank opening using the gasket and locking nut provided. All screws and rings are heavy duty stainless steel for easy assembly and long life

Materials

- Aluminum housing with stainless steel hardware


Specification

- Drop in replacement for the Civacon ROM Link sensors 1554-007 and 1554-0012



Part #	Description
FT151RL	housing with 7" Plug-n-Play overfill detection probe, with Plug-n-Play harness and ROM link jumper cable connector
FT151RL-12	housing with 12" Plug-n-Play overfill detection probe, with Plug-n-Play harness and ROM link jumper cable connector
FT152RL	retain sensor with Plug-n-Play harness and ROM link jumper cable
Part #	Replacement Probes
FT150P	replacement 7" Plug-n-Play probe for FT151RL only
FT150P-12	replacement 12" Plug-n-Play probe for FT151RL-12 only
10688-KIT	female x female adapter
10605PL	Plug-n-Play harness to monitor connector clip
10688-002	male x male adapter

NOTE: Please refer to chart on pages 76-79 for cross references to other manufacturer part numbers
Product instruction sheets and technical data can be viewed on our website at canada.dixonvalve.com


Biofuel compatible 

FloTech® API Optic Overfill Detection (5 Wire) Systems

Application

- The FloTech API Optic 5 wire system is perfectly suited for both new and existing tank installations. The components have a long list of features which make them more reliable than competitor products; the result is years of trouble free service. The FloTech API Optic 5 wire system is a conventionally wired system, which requires wiring connections to be made using crimp connectors. If a simple plug together system is desired, please see our Checkmate Plug-n-Play system as shown on pages 47-51

Features

- See the features and benefits of each of the system components
- Biofuel compatible up to E100 (100% ethanol) and B100 (100% biodiesel) 

Materials

- Dependent upon the component, see each product section for materials

FloTech API Optic Overfill Detection (5 Wire) Systems (Top Detection Only)



Features

- FloTech brand overfill system kits provide everything needed to install a new overfill system on your tank. One to six compartment kits are available from our inventory. System includes: 1 FT103 monitor, 1 FT101 overfill sensor per compartment, FT400 cable, and FT402 strain reliefs (cable glands)
- Other probe lengths are available


Part #	Description
FT1001	API optic 5 wire, 1 compartment overfill detection system (top only)-7" probes
FT1002	API optic 5 wire, 2 compartment overfill detection system (top only)-7" probes
FT1003	API optic 5 wire, 3 compartment overfill detection system (top only)-7" probes
FT1004	API optic 5 wire, 4 compartment overfill detection system (top only)-7" probes
FT1005	API optic 5 wire, 5 compartment overfill detection system (top only)-7" probes
FT1006	API optic 5 wire, 6 compartment overfill detection system (top only)-7" probes
FT1001-12	API optic 5 wire, 1 compartment overfill detection system (top only)-12" probes
FT1002-12	API optic 5 wire, 2 compartment overfill detection system (top only)-12" probes
FT1003-12	API optic 5 wire, 3 compartment overfill detection system (top only)-12" probes
FT1004-12	API optic 5 wire, 4 compartment overfill detection system (top only)-12" probes
FT1005-12	API optic 5 wire, 5 compartment overfill detection system (top only)-12" probes
FT1006-12	API optic 5 wire, 6 compartment overfill detection system (top only)-12" probes

Straight Systems Without Monitor - Wire Directly to Socket

Part #	Description
FT901	API optic 5 wire straight, 1 compartment overfill detection system (top only)-7" probes
FT902	API optic 5 wire straight, 2 compartment overfill detection system (top only)-7" probes
FT903	API optic 5 wire straight, 3 compartment overfill detection system (top only)-7" probes
FT904	API optic 5 wire straight, 4 compartment overfill detection system (top only)-7" probes
FT905	API optic 5 wire straight, 5 compartment overfill detection system (top only)-7" probes

NOTE: Please refer to chart on pages 76-79 for cross references to other manufacturer part numbers

Product instruction sheets and technical data can be viewed on our website at canada.dixonvalve.com

Biofuel compatible 

FloTech® API Optic Overfill Detection (5 Wire) Systems Replacement Parts Onboard Monitors



FT103

Features

- Stainless steel terminal blocks resist rusting of contacts
- Stainless steel hardware is used on all products
- Powder coated color matched components for exceptional appearance
- Drop-in compatibility with competitors products, see compatibility chart on pages 76-79
- Signal translation ability, allows the connection all socket types (optic, thermistor or float) the system offers true load at any rack compatibility

Part #	Description
FT102	FloTech API optic 5 wire replacement monitor only (no housing)
FT103	FloTech API optic 5 wire monitor and housing

NOTE: See page 165 for repair kits and replacement parts



FT101

Overfill Detection Sensors

Features


- The FloTech API optic 5 wire probe is electronically and mechanically compatible for drop-in replacement of other commonly used 5 wire probes
- Custom probe lengths available upon request
- The sensor housing contains a 5 wire probe, in a cast aluminum housing. The sensor housing has a 2" NPT mounting thread, heavy duty stainless steel hardware, and FKM probe seal. Install into either a 2" NPT threaded port or 2-3/8" diameter tank opening using the gasket and locking nut provided

Part #	Description	Replacement Probes
FT101	housing with 7" - 5 wire overfill detection probe	FT100
FT101-12	housing with 12" - 5 wire overfill detection probe	FT100-12
FT101-18	housing with 18" - 5 wire overfill detection probe	FT100-18

NOTE: See page 163 for repair kits and replacement parts

Please refer to chart on pages 76-79 for cross references to other manufacturer part numbers

Product instruction sheets and technical data can be viewed on our website at canada.dixonvalve.com

Biofuel compatible 

Stainless Steel Probe and Sensor Housings
Black and White 2 Wire

Features

- The FloTech® stainless steel probes and sensor housings are designed to be used with chemicals. All wetted services are 316 stainless steel or PTFE. These probes are designed to thread onto a DOT 407 tank 3" clean out nipple
- All FloTech brand probes are trouble free probes, they come with a unique dual elastomer seal for the glass optic prisms. The elastomer seals are flexible allowing thermal expansion and resistance to steam cleaning and temperature changes, along with resistance to petroleum chemical attack. The replacement probes have a smooth tapered tip design for easy replacement installation into the sensor housing without gasket damage
- Custom probe lengths can be available by using 3/4" pipe nipples upon request



FT150S

Specification

- Maximum working pressure **900 PSI at 70°F (21°C)**

Part #	Description
FT150S	7" 316 stainless steel, black and white 2 wire, overfill detection probe only (no housing)
FT191S	stainless steel probe housing, 3" female NPS thread (housing only, order probe separately)
FT150SP	7" 316 stainless steel, black and white 2 wire probe, plug and play connection

NOTE: See page 164 for repair kits and replacement parts

5 Wire

Features

- The FloTech stainless steel probes and sensor housings are designed to be used with chemicals. All wetted services are 316 stainless steel or PTFE. These probes are designed to thread onto a DOT 407 tank 3" clean out nipple. Sensor length can be adjusted using 3/4" NPT pipe nipples
- All FloTech brand probes are trouble free probes: they come with a unique dual elastomer seal for the glass optic prisms. The elastomer seals are flexible allowing thermal expansion and resistance to steam cleaning and temperature changes, along with resistance to petroleum chemical attack. The replacement probes have a smooth tapered tip design for easy replacement installation into the sensor housing without gasket damage
- Custom probe lengths available upon request



FT191S and FT100S

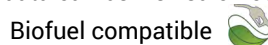
Specification

- Maximum working pressure **900 PSI at 70°F (21°C)**

Part #	Description
FT100S	7" 316 stainless steel 5 wire overfill detection probe only (no housing)
FT191S	stainless steel probe housing, 3" female NPS thread (housing only, order probe separately)

NOTE: See page 164 for repair kits and replacement parts

Product instruction sheets and technical data can be viewed on our website at canada.dixonvalve.com



Single Sockets with Aluminum Hardcoat J-slot



FT300



FT300GW



FT301



FT302

Features

- Single face plate sockets have hard coated aluminum alloy J-slot wear rings, these ensure a long service life. Single sockets with "guaranteed for life" stainless steel wear rings are also available
- Stainless steel hardware and contact pins prevent corrosion
- Sockets and caps are color coded with industry standardized colors which allows for easy identification of socket type (optic sockets are blue, thermistor sockets are green, and float sockets are red, colored caps are included for optic and thermistor models only)


Part #	Description
FT300	optic socket API/WOGA, 6 pin and 3 J-slot (US)
FT300GW	optic socket API/WOGA, 6 pin and 3 J-slot with ground wire
FT300GT	API optic socket with cap, ground wire and TIM
FT307	optic socket, 6 pin and 4 J-slot (Canada)
FT306	optic socket, J560 pin type
FT301	thermistor socket, API, 8 pin and 4 J-slot (US)
FT301GW	thermistor socket, API, 8 pin and 4 J-slot with ground wire
FT301GT	API compatible thermistor socket with cap, ground wire and TIM
FT304	thermistor socket, 10 pin and 4 J-slot (Canada/Europe)
FT305	thermistor socket, J560 pin type
FT302	float, API, J560 pin type socket

Replacement Face Plates and Dust Caps

Part #	Description
FT310	API optic face plate assembly, 6 pin, 3 J-slot (US) with dust cap
FT317	optic pattern face plate assembly, 6 pin, 4 J-slot (Canada) with dust cap
FT316	optic replacement face plate, J560 type with dust cap
FT311	API thermistor face plate assembly, 8 pin, 4 J-slot (US) with dust cap
FT314	thermistor face plate assembly, 10 pin 4 J-slot (Canada/Europe) with dust cap
FT315	thermistor replacement face plate, J560 type with dust cap
FT320	replacement blue optic dust cap
FT321	replacement green thermistor dust cap
FT322	replacement black dust cap

NOTE: See pages 170-171 for repair kits and replacement parts
 Please refer to chart on pages 76-79 for cross references to other manufacturer part numbers

Product instruction sheets and technical data can be viewed on our website at canada.dixonvalve.com

Biofuel compatible 

**Single Sockets with GFL (Guaranteed for Life)
Stainless Steel J-slot Wear Rings**



FT300SSGW



FT301SS

Features

- Available on any configuration J-slot socket
- Tougher and more corrosion resistant than any other on the market
- Guaranteed for life against wear
- US patent 6,824,423

Part #	Description
FT300SSGW	optic socket API/WOGA, 6 pin and 3 J-slot, GFL stainless J-slot wear ring with ground wire
FT307SS	optic socket, 6 pin and 4 J-slot, GFL stainless J-slot wear ring (Canada)
FT301SS	thermistor socket, API, 8 pin and 4 J-slot, GFL stainless J-slot wear ring (US)
FT300SS	optic socket API/WOGA, 6 pin and 3 J-slot, GFL stainless J-slot wear ring (US)
FT301SSGW	thermistor socket, API, 8 pin and 4 J-slot, GFL stainless J-slot wear ring with ground wire
FT304SS	thermistor socket, 10 pin and 4 J-slot, GFL stainless J-slot wear ring (Canada/Europe)

Replacement Face Plates and Dust Caps

Part #	Description
FT310SS	API optic face plate assembly, 6 pin, 3 J-slot, GFL stainless J-slot wear ring (US) with dust cap
FT317SS	optic pattern face plate assembly, 6 pin, 4 J-slot, GFL stainless J-slot wear ring (Canada) with dust cap
FT311SS	API thermistor face plate assembly, 8 pin, 4 J-slot, GFL stainless J-slot wear ring (US) with dust cap
FT314SS	thermistor face plate assembly 10 pin, 4 J-slot, GFL stainless J-slot wear ring (Canada/Europe) with dust cap
FT320	replacement blue optic dust cap
FT321	replacement green thermistor dust cap

NOTE: See pages 170-171 for repair kits and replacement parts
Please refer to chart on pages 76-79 for cross references to other manufacturer part numbers

EZ-Cept Double Sockets



FT390

Features


- Stainless steel hardware and contact pins prevent corrosion
- Sockets are color coded with industry standardized colors allowing for easy identification of socket type (optic sockets are blue, thermistor sockets are green, and float sockets are red, colored caps are included for optic and thermistor models only)
- Guaranteed for Life J-slot: Our unique stainless steel alloy J-slot ring will probably outlast your trailer
- Prewired ready for tank installation, no more long hours wiring and troubleshooting your socket connections. Simply bolt to the trailer and connect to the terminal block in the on board monitor
- Internal ground wire and ID chip ready: Both internal ground wire and ID chip are normally mounted inside the EZ-Cept housing to protect from the corrosive elements. Or if desired, the bolt can be mounted to the trailer frame and the wire connected to the EZ-Cept internal wire terminal
- Corrosion resistant hard powder coated housing, stainless steel hardware and contacts and our unique keep dry enclosure design keeps your trailer in service and corrosion at bay
- The EZ-Cept has so many innovative features it is covered by US patent 6,824,423

Part #	Description
FT390	optic 5 pin, 3 J-slot, and thermistor 10 pin, 4 J-slot, horizontal mount, GFL stainless J-slot wear rings (US)
FT390V	optic 5 pin, 3 J-slot, and thermistor 10 pin, 4 J-slot, vertical mount, GFL stainless J-slot wear rings (US)
FT390G	optic 5 pin, 3 J-slot, and thermistor 10 pin, 4 J-slot, horizontal mount, GFL stainless J-slot wear rings, internal ground wire (US)
FT390GT	optic 5 pin, 3 J-slot, and thermistor 10 pin, 4 J-slot, horizontal mount, GFL stainless J-slot wear rings, internal ground wire Trailer Identification Module chip (US)
FT390T	optic 5 pin, 3 J-slot, and thermistor 10 pin, 4 J-slot, horizontal mount, GFL stainless J-slot wear rings, Trailer Identification Module chip (US)
FT390-20	optic 5 pin, 3 J-slot, and thermistor 10 pin, 4 J-slot, horizontal mount, GFL stainless J-slot wear rings, 20' of cable (US)
FT390G-20	optic 5 pin, 3 J-slot, and thermistor 10 pin, 4 J-slot, horizontal mount, GFL stainless J-slot wear rings, internal ground wire, 20' of cable (US)
FT391	optic 5 pin, 4 J-slot, and thermistor 10 pin, 4 J-slot, horizontal mount, GFL stainless J-slot wear rings (Canada)
FT391V	optic 5 pin, 4 J-slot, and thermistor 10 pin, 4 J-slot, vertical mount, GFL stainless J-slot wear rings (Canada)

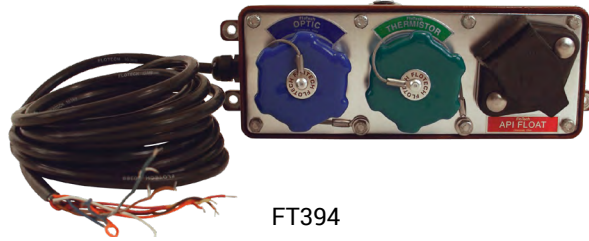
NOTE: See pages 172-173 for repair kits and replacement parts

Please refer to chart on pages 76-79 for cross references to other manufacturer part numbers

Product instruction sheets and technical data can be viewed on our website at canada.dixonvalve.com

Biofuel compatible 

EZ-Cept Triple Sockets



Features

- Stainless steel hardware and contact pins prevent corrosion
- Sockets are color coded with industry standardized colors allowing for easy identification of socket type (optic sockets are blue, thermistor sockets are green, and float sockets are red, colored caps are included for optic and thermistor models only)
- Unique stainless steel alloy J-slot ring is guaranteed for life
- Pre-wired ready for tank installation, simply bolt to the trailer and connect to the terminal block in the on board monitor
- Internal ground wire and ID chip ready: Both internal ground wire and ID chip are normally mounted inside the EZ-Cept housing to protect from the corrosive elements. Can also be mounted to the trailer frame and the wire connected to the EZ-Cept internal wire terminal
- Corrosion resistant hard powder coated housing, stainless steel hardware and contacts and our unique keep dry enclosure design keeps your trailer in service and corrosion at bay
- The EZ-Cept has so many innovative features it is covered by US patent 6,824,423

Part #	Description
FT393	optic 5 pin, 3 J-slot, thermistor 10 pin, 4 J-slot, and float J560, horizontal mount, GFL stainless J-slot wear rings (US)
FT394	optic 5 pin, 3 J-slot, thermistor 10 pin, 4 J-slot, and optic J560, horizontal mount, GFL stainless J-slot wear rings (US)
FT394G	optic 5 pin, 3 J-slot, thermistor 10 pin, 4 J-slot, and optic J560, horizontal mount, internal ground wire, GFL stainless J-slot wear rings (US)
FT394V-G	optic 5 pin, 3 J-slot, thermistor 10 pin, 4 J-slot, and optic J560, vertical mount, internal ground wire, GFL stainless J-slot wear rings (US)
FT395	optic 5 pin, 4 J-slot, thermistor 10 pin, 4 J-slot, and optic J560, horizontal mount, GFL stainless J-slot wear rings (Canada)
FT395G	optic 5 pin, 4 J-slot, thermistor 10 pin, 4 J-slot, and optic J560, horizontal mount, internal ground wire, GFL stainless J-slot wear rings (Canada)
FT395V	optic 5 pin, 4 J-slot, thermistor 10 pin, 4 J-slot, and optic J560, vertical mount, internal ground wire, GFL stainless J-slot wear rings (Canada)
FT395VG	optic 5 pin, 4 J-slot, thermistor 10 pin, 4 J-slot, and optic J560, vertical mount, internal ground wire, GFL stainless J-slot wear rings (Canada)

NOTE: See pages 174-175 for repair kits and replacement parts
 Please refer to chart on pages 76-79 for cross references to other manufacturer part numbers

Socket Cleaner

Application

- Used to clean dirty or corroded overfill socket contact blocks

Features

- Improves electrical connection and reduces drop out of permit signal
- Simple handheld contact cleaner
- 3M Scotch-Brite™ pad



Part #	Description
FT406	socket cleaner

Multi-Wrench

Application

- Used for threading, and unthreading lock nuts

Features

- Hard coated for corrosion resistance
- Laser etched



Part #	Description
40530AL	multi-sided wrench for installing FT9000/VR6030SQ

Product instruction sheets and technical data can be viewed on our website at canada.dixonvalve.com

Biofuel compatible

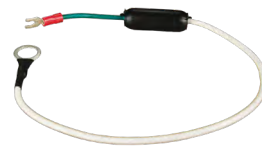
Grounding Ball and Bolt



FT450



FT451



FT452



FT452-002

Part #	Description
FT450	ground verification bolt
FT451	ground verification ball
FT452	ground wire for single sockets
FT452-002	ground wire for dual sockets

NOTE: See page 175 for repair kits and replacement parts
 Please refer to chart on pages 76-79 for cross references to other manufacturer part numbers

FloTech® Checkmate Overfill/Retain (Black and White 2 Wire) System Sensor Dummy



Part #	Description
FT155	thermistor sensor dummy (each dummy adds up to 5 compartments)
11030PS	hobb switch, vent/brake interlock

FloTech® Trailer Identification Modules

Application

- Designed as a drop in replacement for the Trailer Identification Module, providing you with longer life and reduced costs



Part #	Description
FT470	Trailer Identification Module

Cables and Strain Reliefs

Features

- FloTech cable is specially produced with tin plated wire, which when connected correctly using crimp connections, will provide years of trouble-free service



FT400



FT402

Part #	Description	System Type
FT400	100' of 5 conductor cable, 18 AWG	5 wire API optic
FT400-500	500' of 5 conductor cable, 18 AWG	
FT400-1000	1000' of 5 conductor cable, 18 AWG	
FT401	100' of 7 conductor cable, 20 AWG	red and black 2 wire ROM type
FT401-150	150' of 7 conductor cable, 20 AWG	
FT401-1000	1000' of 7 conductor cable, 20 AWG	
FT404	100' of 11 conductor cable, 20 AWG	black and white 2 wire checkmate/thermistor type
FT404-150	150' of 11 conductor cable, 20 AWG	
FT404-1000	1000' of 11 conductor cable, 20 AWG	

Cable Strain Reliefs (Glands)

Part #	Description
FT402	20 piece pack of strain relief fittings, 1/2" NPT
FT403	30 piece pack of strain relief fittings, 1/2" NPT
FT405-500	500 piece pack of strain relief fittings, 1/2" NPT

Cable Tools and Supplies

Part #	Description
FT9023	professional cable stripping tool
FT9024	professional cable crimping tool
FT9021	100 piece pack of crimp connectors
FT9022	2.8 oz tube of GE RTV103 silicone for sealing crimped wired connections
FT9025	terminal pins, 14-16 AWG, 100 pieces

NOTE: Due to the very low current used in overfill systems it's extremely important to use the correct type of cable. The use of other types of cabling often leads to failed overfill systems due mostly to corroded connections



Biofuel compatible

Optic System Testers

Application

- Used to trouble shoot overfill system circuits

Features

- Will work with any optic overfill system
- The FT520 optic test kit includes a tester and test lead set to test 5 wire optic pulse, 5 wire optic probes, 2 wire optic probes, Plug-n-Play optic probes as well as onboard monitor and socket outputs. It uses the same permissive signal verification as an optic rack monitor. Optional FT521, FT522, FT523 optic test plugs are available for an entire trailer Go, No/Go test, 2 9-volt batteries (included)

Materials

- Durable plastic case, heavy duty cable connectors and test leads



FT520



FT520WOGA



Part #	Description
FT520	optic system tester, 5 piece set of test leads, batteries and instructions
FT520CASE	optional storage case for FT520
FT520WOGA	optic system tester, with FT521 API optic 6 pin and 3 J-slot plug, batteries and instructions
FT520WOGACASE	optional storage case for FT520WOGA
FT521	API optic test plug, 6 pin and 3 J-slot
FT522	optic test plug, 6 pins and 2 or 4 J-slot (plug fits both 2 and 4 J-slot sockets)
FT523	optic test plug J560 type
10622	Plug-n-Play test lead set
FT9037	replacement test lead set for FT520

Trailer Identification Module Chip Readers

Application

- Designed to read and test Trailer Identification Modules mounted inside API compatible overfill sockets

Features

- Designed to read Trailer Identification Module chips
- Solid aluminum construction
- Backlit LCD display
- Interchangeable optic or thermistor J-slot screws
- Provides long battery life

Part #	Description
FT530	Trailer Identification Module chip reader

FloTech® Truck Testers

Application

- Allows complete testing of ground bolt grounding systems. Tests ground bolt in forward and reverse just like the rack monitor

Features

- Reads Trailer Identification Modules and displays the serial number on the screen
- Automatic mode allows all four tests, or any combination, to run for a complete test of the trailer
- LCD screen displays the final test results and a pass/fail indication for easy rapid testing of the overfill system
- One man "Wet Test" feature FT555 signals an audible alarm sounding a number of beeps that match the wetted sensor
- Microprocessor controlled with designed in flexibility to expand into a number of applications
- Requires two D cell flashlight batteries that can be changed through a side battery access door



FT555



FT555PA

Part #	Description
FT555	truck tester
FT555PA	truck tester with handle and test leads (US)
FT555PW	truck tester with handle and test leads (EU)
FT555CNVT	convert FT555 to FT555PA

FloTech FT590-Series Rack Monitor Testers

Application

- Simulates single component overfill system. Used to test rack monitor operation

Part #	Description
FT590TG	2 wire themistor rack tester with grounding bolt
FT590TGT	2 wire themistor rack tester thermistor TIM and grounding bolt
FT590OG	5 wire optic rack tester with ground bolt
FT590OGT	5 wire optic rack tester with ground bolt and TIM



FT590TG

API Compatible Loading Rack Cords

Application

- API loading rack cords are used to connect the loading rack monitor to the socket on the fuel tanker

Features

- FT600 and FT620 are compatible with API thermistor and optic configurations
- Cords available in coiled or straight lengths
- Cord features a heavy highly visible safety orange jacket to meet trip hazard requirements
- Cord is bonded mechanically and has superior abrasion and oil resistance
- Plug body is color coded optic blue or thermistor green
- Button contacts are made from 316 stainless steel to prevent corrosion or galling
- Cord sets are interchangeable with Civacon

Materials

- Reinforced nylon plugs with stainless steel contact pins and hardware. Heavy duty and highly visible safety orange cord

API Optic Cord Assemblies



FT620

Part #	Description
FT620	blue plug with 6 contact pins and 3 J-slot, on a 30' coiled blue cable
FT620S	blue plug with 6 contact pins and 3 J-slot, on a 20' straight blue cable
FT620P	blue plug with 6 contact pins and 3 J-slot on a 30' blue coiled cord and 7 pin connector aluminum J560 plug
FT620SP	API optic plug, aluminum J560 plug with 30' straight cable
FT620X620	optic dual plug cord
FT621	replacement blue plug assembly with 6 contact pins and 3 J-slot
FT622	replacement 30' blue coiled cord, optic 6 conductor
FT623	optic plug storage hanger
FT624	replacement 20' blue straight cord, optic 6 conductor

NOTE: See pages 176 for repair kits and replacement parts

Please refer to chart on pages 76-79 for cross references to other manufacturer part numbers

API Thermistor Cord Assemblies



FT600

Part #	Description
FT600	green plug with 8 contact pins and 4 J-slot, on a 30' coiled orange cable
FT600P	green plug with 8 contact pins and 4 J-slot, on a 30' orange coiled cord and 13 pin connector nylon J560 plug
FT600S	green plug with 8 contact pins and 4 J-slot, on a 20' straight orange cable
FT600C	green plug with 10 contact pins and 4 J-slot, on a 30' coiled orange cable
FT600CP	green plug with 10 contact pins and 4 J-slot, on a 30' coiled orange cord and 13 pin connector nylon
FT600SC	green plug with 10 contact pins and 4 J-slot, on a 20' straight orange cable
FT601	replacement green plug assembly with 8 contact pins and 4 J-slot
FT601-10	replacement green plug assembly with 10 contact pins and 4 J-slot
FT602	replacement 30' orange coiled cord, thermistor 10 conductor
FT603	thermistor plug storage hanger
FT604	replacement 20' orange straight cord, thermistor 10 conductor
FT606	thermistor 30' coiled replacement cord 8 pin
FT607	thermistor 20' straight replacement cord 8 pin
FT680CNO	deadman switch assembly with coiled cord

NOTE: See page 178 for repair kits and replacement parts

Please refer to chart on pages 76-79 for cross references to other manufacturer part numbers

Product instruction sheets and technical data can be viewed on our website at canada.dixonvalve.com

Biofuel compatible 

FloTech® Junction Boxes

Application

- FT7500-Series junction boxes are designed to provide a convenient, safe, and protected point of service for rack cord accessories. When installed correctly, the junction box will protect rack cords from excessive wear and tear, and cord connections from water and corrosion while in harsh environments

Features

- Water-tight construction helps prevent condensation and moisture from causing corrosion on the with rack connections
- Twelve position terminal block for quick replacement of various cord types including optic, thermistor, ground, and deadman cables
- Large internal volume allows ample room for wiring and easy installation
- Mesh cord grip reduces cable strain and prevent cable pull-out
- Integrated cord hook holds the cable while not in use

Material

- Powder coated weather-resistant aluminum



Part #	Description
FT7500	single cord junction box
FT7501	dual cord junction box
FT7502	junction box with yellow 13 pin socket

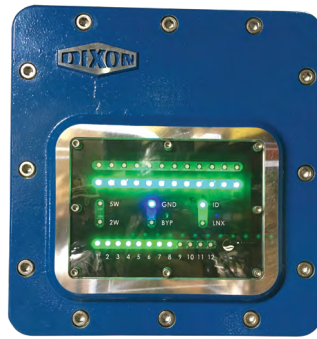
Junction Box and Cord Assembly Accessories

Part #	Junction Box	Rack Cord	Termination	Length	Cord Color	Cord Type	Conductors	API Plug	
								Color	J-Slots
FT7600	FT7500	FT600	flying leads	30'	orange	coiled	8	green	4
FT7600C	FT7500	FT600C	flying leads	30'		coiled	10		4
FT7600CP	FT7502	FT600CP	yellow 13 pin plug	30'		coiled	10		4
FT7600P	FT7502	FT600P	yellow 13 pin plug	30'		coiled	8		4
FT7600S	FT7500	FT600S	flying leads	20'		straight	8		4
FT7600SC	FT7500	FT600SC	flying leads	20'		straight	10		4
FT7600SP	FT7502	FT600SP	yellow 13 pin plug	20'		straight	8		4
FT7605C	FT7500	FT605C	flying leads	30'		coiled	6		4
FT7620	FT7500	FT620	flying leads	30'	blue	coiled	6	blue	3
FT7620P	FT7502	FT620P	metal J560	30'		coiled	6		3
FT7620S	FT7500	FT620S	flying leads	20'		straight	6		3
FT7620SP	FT7502	FT620SP	metal J560	20'		straight	6		3
FT7630	FT7500	FT630	flying leads	30'		coiled	10	black	4
FT7630D	FT7503	FT630D	D connector	30'		coiled	10		4
FT7640-3	FT7500	FT640-3	flying leads	30'		coiled	10		3
FT7640-4	FT7500	FT640-4	flying leads	30'		coiled	10		4

Product instruction sheets and technical data can be viewed on our website at canada.dixonvalve.com

Biofuel compatible 

FloTech® FT7000-Series Rack Control Monitor



FT7000

Applications

- Overfill prevention, ground verification, trailer identification, data communication
- Automatic, continuous and self-checking micro based control
- Per NPFA rules, FT7000 FloTech RCM provides secondary overfill protection for loading of petroleum or chemical liquids into cargo or rail tanks. It is designed for hazardous locations using EXd explosion proof enclosure and intrinsically safe electronics. FT7000 RCM holds US and international safety approvals and certifications
- FloTech FT7000 RCM was designed for high reliability with redundant test circuits and output relays. Relay operation is monitored to determine proper operation. FT7000 RCM has the ability for redundant communication of monitor status independent of relay status. Permits can be verified via a digital communication path not dependent on relay status

Features

- FT7000 RCM provides robust communication of monitor overfill status, ground verification, trailer identification data and events via RS-485 and Modbus compliant. All function in one unit with ability to connect through existing TAS
- Overfill, ground, and trailer identification in one enclosure
- Auto switching between optic and thermistor (2 wire or 5 wire) sensors
- Compatible with all analog and digital sensors
- Monitor up to (8) 2 wire or (12) 5 wire sensors
- Various plug cord and junction box assemblies compatible with worldwide standards
- Visual display of all functions

Material

- Explosion proof IP54 weathertight aluminum powder coated housing

Approvals

Certified to the following standards:

- CSA C22.2 No. 61010-1-12, No. 30-M1986, No. 157-92, No. 60079-0:11, No. 60079-1:11, No. 60079-11:14
- UL 61010-1, UL 1203, UL 913, UL 60079-0, UL 60079-1, UL 60079-11
- IEC 60079-0, IEC 60079-1, IEC 60079-11, IEC 60529
- EN 60079-0, EN 60079-1, EN 60079-11

Compatible with

Sensors	Identification	Earthing/Ground Devices
<ul style="list-style-type: none"> • 5 wire optic sensors; 1-12 sensors • 2 wire black and white thermistor sensors; 1-8 sensors • 2 wire grey-grey universal thermistor sensors; 1-8 sensors • 2 wire analog thermistor sensors; 1-8 sensors • onboard monitors 	<ul style="list-style-type: none"> • Trailer Identification Modules 	<ul style="list-style-type: none"> • ground bolt/bolt/wire • ground loop/restive bond

NOTE: Not compatible with float type sensors, or 3 wire analog thermistor sensors

API Rack Cord Assemblies

FloTech® Part #	Civacon Part #	Scully Part #	API		Cord		J-Slot		Pin			Breakaway Plug	
			Thermistor	Optic	20' Straight	30' Coiled	3	4	6	8	10	Optic J560 Aluminum	Thermistor 13 Pin Plastic
FT600	7300SR-7300	21818	✓	---	---	✓	---	✓	---	✓	---	---	---
FT600C	7300CSR-7300	31090	✓	---	---	✓	---	✓	---	---	✓	---	---
FT600P	7320SR-7320	---	✓	---	---	✓	---	✓	---	✓	---	---	✓
FT600S	7300-STRAIGHT	20830	✓	---	✓	---	---	✓	---	✓	---	---	---
FT600SC	7300C-STRAIGHT	---	✓	---	✓	---	---	✓	---	---	✓	---	---
FT620	7100SR-7100	21831	---	✓	---	---	✓	---	✓	---	---	---	---
FT620P	7100-J560	---	---	✓	---	---	✓	---	✓	---	---	✓	---
FT620S	7100-STRAIGHT	21764	---	✓	✓	---	✓	---	✓	---	---	---	---

API Rack Cord Parts

FloTech Part #	Civacon Part #	Scully Part #	API		Cord		J-Slot		Pin			
			Thermistor	Optic	20' Straight	30' Coiled	3	4	6	8	10	
FT601	7310SR-7310	---	✓	---	---	---	---	✓	---	✓	---	---
FT603	7350-7350	---	✓	---	---	---	---	✓	---	---	---	---
FT621	7110SR-7110	21766	---	✓	---	---	✓	---	✓	---	---	---
FT622	7220-7220	31099	---	✓	---	✓	✓	---	---	---	---	---
FT623	7150-7150	---	---	✓	---	---	✓	---	---	---	---	---

Reelcraft® Static Discharge Reels



Application

Used to ground equipment in hazardous atmospheres, such as fuel trucks or carts transferring flammable materials. When properly clamped to ground, the static discharge reel dissipates static electrical buildup, reduces chances of sparking and the potential for explosion

Features

- Supplied with a 3/32" O.D. steel aircraft cable
- DC resistance is approximately one ohm per 50' of steel cable

Part #	Description
G3050	single 7 x 7 stranded steel grounding wire

FloTech® Replacement Parts

Part #	Previous Part #	Description	Refer to Page
FT9000	---	sensor housing 2" NPT with parallel ports, complete with all hardware	164
FT9000P	---	Plug-n-Play sensor housing 2" NPT with parallel ports, complete with all hardware	162
FT9001	---	complete sensor housing gasket and O-ring kit	162, 164
FT9002	---	complete sensor housing gasket, O-ring and hardware kit	164
FT9003	---	replacement on-board monitor housing	166, 167
FT9004	---	replacement on-board monitor hardware kit	166, 167
10142	FT9005	replacement on-board bezel 5 wire (FT103)	166
10143	FT9006	replacement on-board bezel 2 wire (FT204)	167
10031	FT9007	replacement socket rear housing	157, 158, 169, 171
FT9008	---	replacement socket contact block with pins FT300 optic series	156, 171
FT9009	---	replacement socket contact block with pins FT301 thermistor series	156, 171
FT9010	---	replacement socket contact block with 10 pins FT304 thermistor series	171
FT9011	---	replacement sensor housing cap with screws and lock washers	162, 164
10128	---	replacement 2" NPT sensor housing lock nut	162, 164
FT9013	---	replacement socket faceplate 4 J-slot, no contact block or hardware	156, 171
FT9020	---	socket pin, screw and crimp lug	156, 171
FT9021	---	crimp connector 100 pieces per bag	66
FT9022	---	GE RTV 103 silicone rubber sealant 2.8 oz. tube	66
FT9023	---	stripping tool for cable jacket	66
FT9024	---	crimp tool for splice connections	66
FT9025	---	terminal pin, 14-16 AWG 100 pieces	66
250-G-BU	FT9026, 40090BN	sensor flat gasket for 2" NPT through punched hole in man lid	162, 164
10125	FT9027	sensor housing probe, FKM O-ring	162, 164
10119	FT9029	J560 contact block, 7 way	158, 161, 169, 175
FT9030	---	fuse holder with 1/4" amp fuse	166
FT9031	---	fuse holder with 1/2" amp fuse	167, 168
10038	FT9032	socket face plate gasket	157, 158, 169, 171

FloTech® Replacement Parts (continued)

Part #	Previous Part #	Description	Refer to Page
10183	FT9033	sensor housing, lower no hardware	164
FT9034	---	replacement socket face plate 3 J-slot, no contact block or hardware	156, 171
10459	FT9035	program module for FT204P and FT208	154, 155, 167, 168
FT9036	---	FT208 replacement bezel kit	155, 168
FT9037	---	FT520 test lead set	67
10357	FT9038	fuse 1/4" Amp - for FT103	166
10358	FT9039	fuse 1/2" Amp - for FT208 and FT204	155, 167, 168
FT9040	---	checkmate housing with lid	155, 168
10366HC-002	FT9041	replacement 3 J-slot, aluminum socket nose ring	157, 171
10366HC-001	FT9042	replacement 4 J-slot, aluminum socket nose ring	157, 171
10366SS-002	FT9043	replacement 3 J-slot, stainless socket nose ring	154, 157, 159, 161, 171, 173, 175
10366SS-001	FT9044	replacement 4 J-slot, stainless socket nose ring	154, 157, 159, 161, 171, 173, 175
10432NP	FT9045	replacement gasket for the FT208-Series checkmate lid	154, 155, 168
FT9046	---	bag of 10 replacement socket pins	156, 171
10126	FT9049	sensor cap O-ring	162, 164
10347	FT9050	threaded half coupling 1/2" for retain probe	163, 165
FT9051	---	replacement short contact block for FT390/393 optic, 6 pin	154, 159, 160
FT9052	---	replacement short contact block for FT390/393 thermistor, 10 pin	154, 159, 160
10131	FT9053	replacement gasket for bezel on monitors FT103/204P	166, 167
10470AL	FT9054	replacement lid frame for monitors FT103/204P	166, 167
FT9059	---	replacement face plate and bezel assembly for FT204P	167
10368SS	FT9061	replacement contact pin for FT390/393-Series socket	154, 157, 159, 161, 173, 175
FT9062	---	nose ring assembly, thermistor, 4 J-slot, 10 pin contact block, pin, and hardware for FT390 and FT393	154, 159, 160, 173
FT9063	---	nose ring assembly, optic, 3 J-slot, 6 pin contact block, pin, and hardware for FT390 and FT393	154, 159, 160, 173
FT9064	---	bezel for FT203P-SPEC	167
FT9065	---	bezel gasket for FT203P-SPEC	167
FT9068	---	replacement contact block attachment screws and washers (4 each)	154, 156, 159, 160, 163, 165, 171, 173, 175

Competitor Cross Reference Chart
Liquid Level Sensors

FloTech® Part #	Civacon Part #	Scully Part #	Description
FT100	5300N-7	09209	replacement probe, optic, 5-wire, 7" long
FT100-12	5300N-12	09214	replacement probe, optic, 5-wire, 12" long
FT100-18	5300N-18	09217	replacement probe, optic, 5-wire, 18" long
FT100S	1410RS-0060	---	replacement stainless steel probe, optic, 5-wire, 7" long
FT101	5310N-7	09208	sensor, optic, 5-wire, 2" NPT housing, 7" probe
FT101-12	5310N-12	09213	sensor, optic, 5-wire, 2" NPT housing with 12" probe
FT101-18	5300N-18	09216	sensor, optic, 5-wire, 2" NPT housing with 18" probe
FT150	5650-7	09409	replacement probe, thermo-optic, 7" long, 2-wire (black and white)
FT150-12	5650-12	09414	replacement probe, thermo-optic, 12" long, 2-wire (black and white)
FT150-18	5650-18	09417	replacement probe, thermo-optic, 18" long, 2-wire (black and white)
FT151	5610-7	09408	sensor, thermo-optic, 2" NPT housing, 7" probe, 2-wire (black and white)
FT151-12	5610-12	09413	sensor, thermo-optic, 2" NPT housing, 12" probe, 2-wire (black and white)
FT151-18	5610-18	09416	sensor, thermo-optic, 2" NPT housing, 18" probe, 2-wire (black and white)
FT151RL	1554-007	---	sensor, ROM Link™ replacement thermo-optic, 2" NPT housing, 7" probe, 2-wire (black and white)
FT151RL-12	1554-012	---	sensor, ROM Link replacement thermo-optic, 2" NPT housing, 12" probe, 2-wire (black and white)
FT152	---	08819	thermo optic retain sensor (black and white)
FT155	1920-5	08298, 08542	thermistor dummy, 5 compartment
FT201	5350-7	---	replacement ROM type, 7" top probe, 2-wire (red and black)
FT201-12	5350-12	---	replacement ROM type, 12" top probe, 2-wire (red and black)
FT201-18	5350-18	---	replacement ROM type, 18" top probe, 2-wire (red and black)
FT202	5610RB-7	---	top sensor ROM type, 2" NPT housing, 7" probe, 2-wire (red and black)
FT202-12	5610RB-12	---	top sensor ROM type, 2" NPT housing, 12" probe, 2-wire (red and black)
FT202-18	5610RB-18	---	top sensor ROM type, 2" NPT housing, 18" probe, 2-wire (red and black)
FT206	1000R, 1001R	---	retain sensor ROM type, 1/2" NPT sensor (red and black)
FT9000	---	---	probe housing

Onboard Monitors

FloTech Part #	Civacon Part #	Scully Part #	Description
FT102	3150-3150	08563	replacement module API compatible
FT103	3100-3100	08687	API compatible on-board monitor, with housing
FT203P	3252-3252	---	replacement module, ROM type on-board monitor
FT203PSPEC	3250, 3252	---	replacement module, ROM type on-board monitor with 8 hole cover and frame
FT204P	3202-3202, 3202R-3202	---	ROM type on-board monitor, with housing
FT207	---	09100, 09111, 09584, 09585	replacement module, checkmate on-board monitor
FT208	---	09109, 09107, 09562, 09566	checkmate programmable monitor for top, or top and bottom sensors

Civacon and ROM Link are registered trademarks of Civacon/Dover Corporation

Competitor Cross Reference Chart (continued)
Sockets

FloTech® Part #	Civacon Part #	Scully Part #	Description
FT300	4103-4103	7974	API compatible optic socket with cap (6 pin, 3 J-slot)
FT301	4400-4400	7720	API compatible thermistor socket with cap (8 pin, 2/4 J-slot)
FT302	4600-4600	8116	API compatible float socket
FT303	4201-4201	7976	optic pattern with thermistor J-slot, and cap (6 pin, 2/4 J-slot) (U.S.)
FT304	4403-4403	7716	Canadian/European thermistor socket with cap (10 pin, 4 J-slot)
FT305	4500-4500	7681	thermistor socket, J560 type
FT306	4300-4300	8199	optic socket, J560 type
FT307	4201-4201	7976	optic pattern with thermistor J-slot and cap (6 pin, 2/4 J-slot) (Canada)
FT310	4110-4110	21790	API optic face plate assembly with cap
FT311	4111-4111	20770	API thermistor face plate assembly with cap
FT314	---	20768	Canadian/European thermistor replacement face plate with cap
FT320	4150-4150	8575	blue optic dust cap
FT321	4450-4450	8474	green thermistor dust cap
FT390	4820L and 4820R	9060	EZ-Cept dual socket assembly
FT390G	4822L and 4822R	---	EZ-Cept dual socket assembly with ground bolt

Hardware and System Testers

FloTech Part #	Civacon Part #	Scully Part #	Description
FT400	2100-2100	22056	5 conductor cable 100'
FT400-500	2200-2200	---	5 conductor cable 500'
FT401	2310-2310	27382	7 conductor cable 100'
FT401-1000	2401-2401	---	7 conductor cable 1000'
FT401-150	2300-2300	---	7 conductor cable 150'
FT402	2510-2510	---	20 strain relief fittings, 1/2" NPT
FT403	2530-2530	---	30 strain relief fittings, 1/2" NPT
FT450	GS1000	8560	stainless steel grounding bolt
FT451	---	8274	stainless steel grounding ball
FT470	---	08836	trailer identification module
FT520	1391-1391	---	optic system tester
FT521	1396-1396	---	API optic test plug, 6 pins and 3 J-slot
FT522	1395-1395	---	optic test plug, 6 pins and 2 or 4 J-slot (plug fits both 2 and 4 J-slot sockets)
FT523	1397-1397	---	optic test plug J560 type
FT555	---	08938	truck tester

API Rack Cords

FloTech Part #	Civacon Part #	Scully Part #	Description
API Optic Cord Assemblies			
FT620	7100SR-7100	21831	blue plug with 6 contact pins and 3 J-slot, on a 30' coiled orange cable
FT620S	7100-STRAIGHT	21764	blue plug with 6 contact pins and 3 J-slot, on a 20' straight orange cable
FT620P	7100-J560	---	blue plug with 6 contact pins and 3 J-slot on a 30' orange coiled cord and J560 plug
FT621	7110SR-7110	21766	replacement blue plug assembly with 6 contact pins and 3 J-slot
FT622	7220-7220	31099	replacement 30' orange coiled cord, optic 6 conductor
FT623	7150-7150	---	optic plug storage hanger
FT624	---	31098	replacement 20' orange straight cord, optic 6 conductor
API Thermistor Cord Assemblies			
FT600	7300SR-7300	21818	green plug with 8 contact pins and 4 J-slot, on a 30' coiled orange cable
FT600P	7320SR-7320	---	green plug with 8 contact pins and 4 J-slot on a 30' orange coiled cord and 13 pin connector
FT600S	7300-STRAIGHT	20830	green plug with 8 contact pins and 4 J-slot, on a 20' straight orange cable
FT600C	7300CSR-7300	31092	green plug with 10 contact pins and 4 J-slot, on a 30' coiled orange cable
FT600SC	7300C-STRAIGHT	---	green plug with 10 contact pins and 4 J-slot, on a 20' straight orange cable
FT601	7310SR-7310	20769	replacement green plug assembly with 8 contact pins and 4 J-slot
FT601-10	---	8959	replacement green plug assembly with 10 contact pins and 4 J-slot
FT602	---	31097	replacement 30' orange coiled cord, thermistor 10 conductor
FT603	7350-7350	---	thermistor plug storage hanger
FT604	---	20834	replacement 20' orange straight cord, thermistor 10 conductor

Civacon and ROM Link are registered trademarks of Civacon/Dover Corporation

Competitor Cross Reference Chart (continued)

Onboard Systems

FloTech® Part #	Civacon Part #	Scully Part #	Description
FT1001	2001-2001	08328L1	API compatible 1 compartment system 7" probes
FT1001-12	2001S-0012	---	API compatible 1 compartment system 12" probes
FT1002	2002-2002	---	API compatible 2 compartment system 7" probes
FT1002-12	2002S-0012	---	API compatible 2 compartment system 12" probes
FT1003	2003-2003	---	API compatible 3 compartment system 7" probes
FT1003-12	2003S-0012	---	API compatible 3 compartment system 12" probes
FT1004	2004-2004	8305	API compatible 4 compartment system 7" probes
FT1004-12	2004S-0012	---	API compatible 4 compartment system 12" probes
FT1005	2005-2005	8306	API compatible 5 compartment system 7" probes
FT1005-12	2005S-0012	---	API compatible 5 compartment system 12" probes
FT1006	2006-2006	---	API compatible 6 compartment system 7" probes
FT1006-12	2006S-0012	---	API compatible 6 compartment system 12" probes
FT2001	3021-3021	---	ROM type, 1 compartment system, overfill and retain, 7" probes
FT2001-12	3021S-0012	---	ROM type, 1 compartment system, overfill and retain, 12" probes
FT2002	3022-3022	---	ROM type, 2 compartment system, overfill and retain, 7" probes
FT2002-12	3022S-0012	---	ROM type, 2 compartment system, overfill and retain, 12" probes
FT2003	3023-3023	---	ROM type, 3 compartment system, overfill and retain, 7" probes
FT2003-12	3023S-0012	---	ROM type, 3 compartment system, overfill and retain, 12" probes
FT2004	3024-3024	---	ROM type, 4 compartment system, overfill and retain, 7" probes
FT2004-12	3024S-0012	---	ROM type, 4 compartment system, overfill and retain, 12" probes
FT2005	3025-3025	---	ROM type, 5 compartment system, overfill and retain, 7" probes
FT2005-12	3025S-0012	---	ROM type, 5 compartment system, overfill and retain, 12" probes
FT2006	3026-3026	---	ROM type, 6 compartment system, overfill and retain, 7" probes
FT2006-12	3026S-0011	---	ROM type, 6 compartment system, overfill and retain, 12" probes
FT2101	3031-3031	---	ROM type, 1 compartment system, overfill only, 7" probes
FT2101-12	3031S-0012	---	ROM type, 1 compartment system, overfill only, 12" probes
FT2102	3032-3032	---	ROM type, 2 compartment system, overfill only, 7" probes
FT2102-12	3032S-0012	---	ROM type, 2 compartment system, overfill only, 12" probes
FT2103	3033-3033	---	ROM type, 3 compartment system, overfill only, 7" probes
FT2103-12	3033S-0012	---	ROM type, 3 compartment system, overfill only, 12" probes
FT2104	3034-3034	---	ROM type, 4 compartment system, overfill only, 7" probes
FT2104-12	3034S-0012	---	ROM type, 4 compartment system, overfill only, 12" probes
FT2105	3035-3035	---	ROM type, 5 compartment system, overfill only, 7" probes
FT2105-12	3035S-0012	---	ROM type, 5 compartment system, overfill only, 12" probes
FT2106	3036-3036	---	ROM type, 6 compartment system, overfill only, 7" probes
FT2106-12	3036S-0012	---	ROM type, 6 compartment system, overfill only, 12" probes

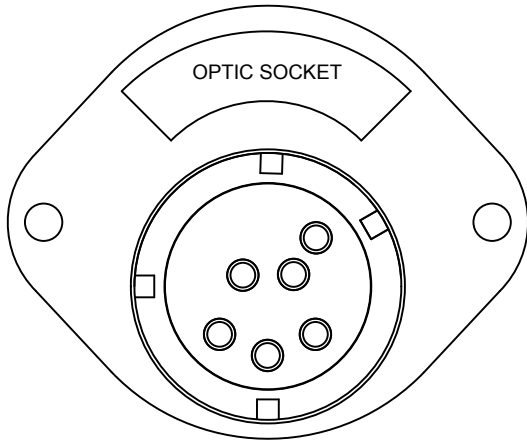
Civacon is a registered trademark of Civacon/Dover Corporation

Competitor Cross Reference Chart (continued)
Onboard Systems

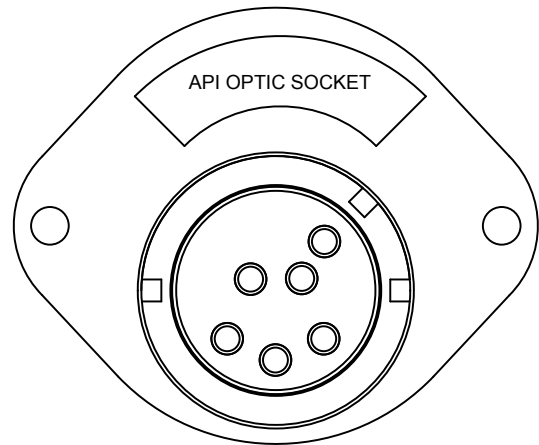
FloTech® Part #	Civacon Part #	Scully Part #	Description
FT2801	--	08251, 09640	checkmate system, 1 compartment system, overfill only, 7" probes
FT2802	--	08352, 09641	checkmate system, 2 compartment system, overfill only, 7" probes
FT2803	--	08352,09642	checkmate system, 3 compartment system, overfill only, 7" probes
FT2804	--	08354, 09643	checkmate system, 4 compartment system, overfill only, 7" probes
FT2805	--	08355, 09644	checkmate system, 5 compartment system, overfill only, 7" probes
FT2806	--	08356	checkmate system, 6 compartment system, overfill only, 7" probes
FT2807	--	08380	checkmate system, 7 compartment system, overfill only, 7" probes
FT2808	--	08381	checkmate system, 8 compartment system, overfill only, 7" probes
FT2811	--	08361	checkmate system, 1 compartment system, overfill and retain, 7" probes
FT2812	--	08362	checkmate system, 2 compartment system, overfill and retain, 7" probes
FT2813	--	03363	checkmate system, 3 compartment system, overfill and retain, 7" probes
FT2814	--	08364	checkmate system, 4 compartment system, overfill and retain, 7" probes
FT2815	--	08365	checkmate system, 5 compartment system, overfill and retain, 7" probes
FT2816	--	08366	checkmate system, 6 compartment system, overfill and retain, 7" probes
FT2817	--	08382	checkmate system, 7 compartment system, overfill and retain, 7" probes
FT2818	--	08383	checkmate system, 8 compartment system, overfill and retain, 7" probes

Civacon is registered trademark of Civacon/Dover Corporation

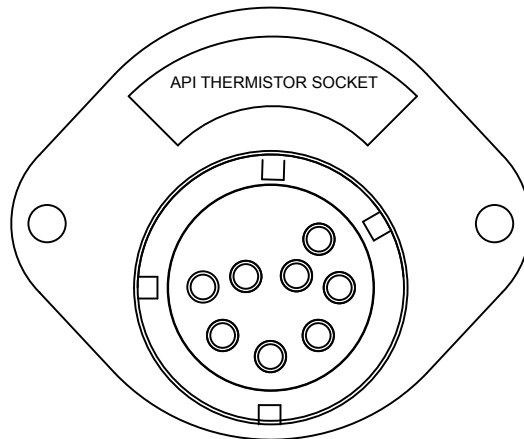
Socket Profiles



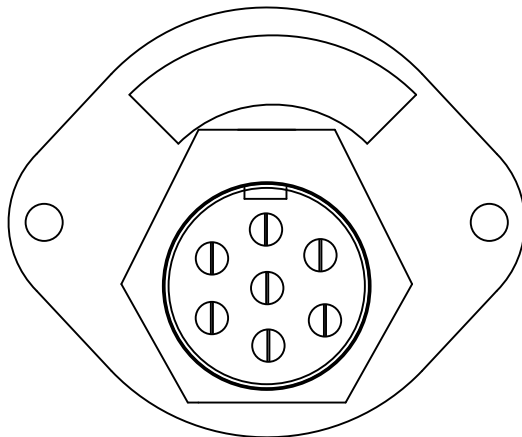
FT303 optic socket (US)
 FT313 replacement faceplate
 FT307 optic socket (Eastern Canada)
 FT317 replacement faceplate



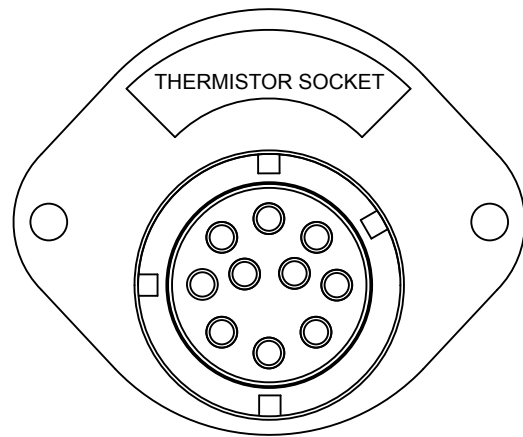
FT300 API optic socket (US)
 FT310 replacement faceplate



FT301 API thermistor socket (US)
 FT311 replacement faceplate assembly

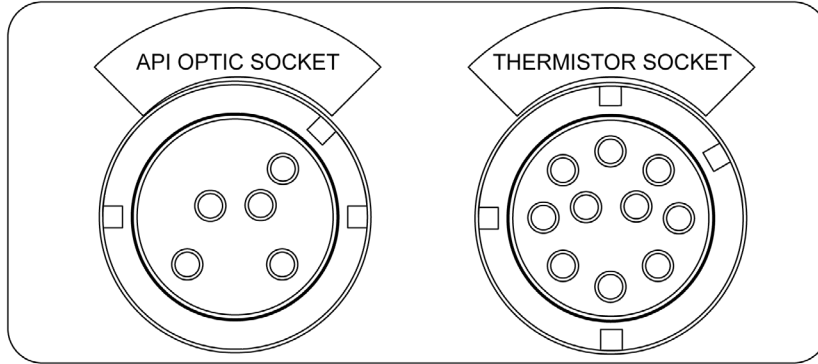


FT302 float J560 socket (US)
 FT312 replacement faceplate float J560 socket
 FT305 thermistor J560 socket (US)
 FT315 replacement faceplate thermistor J560 socket
 FT306 optic J560 socket (western Canada)
 FT316 replacement faceplate optic J560 socket

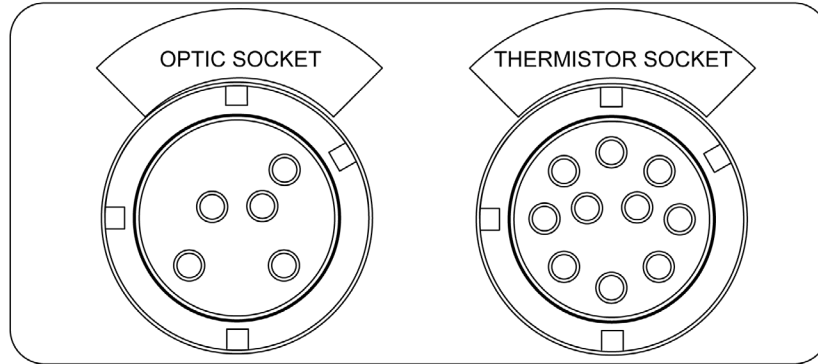


FT304 thermistor socket (Canada)
 FT314 replacement faceplate

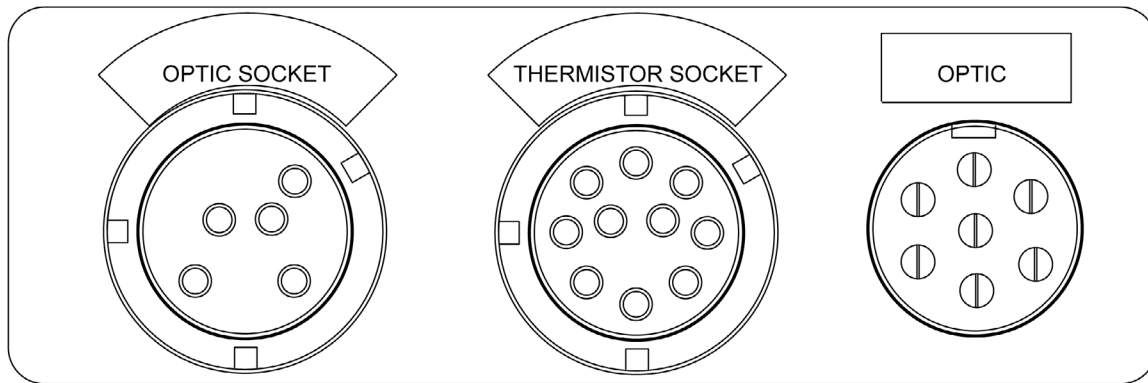
Socket Profiles



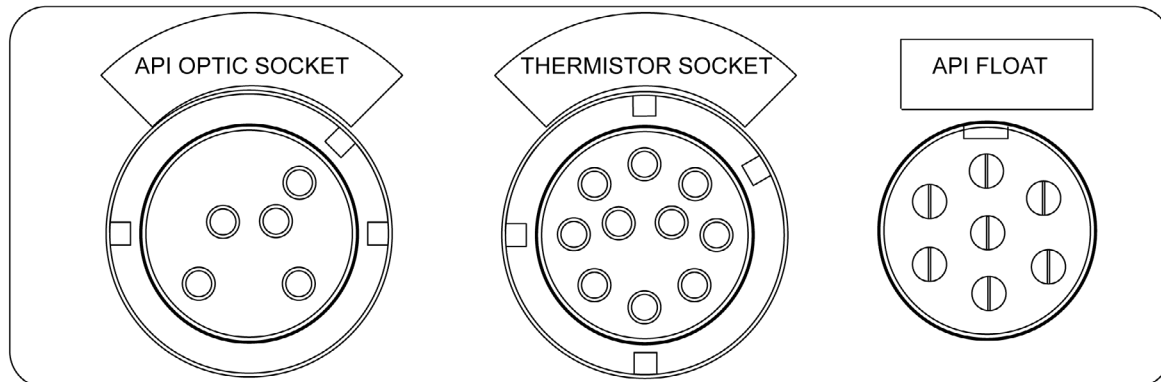
FT390 Dual socket (US)



FT391 Dual socket (Canada)

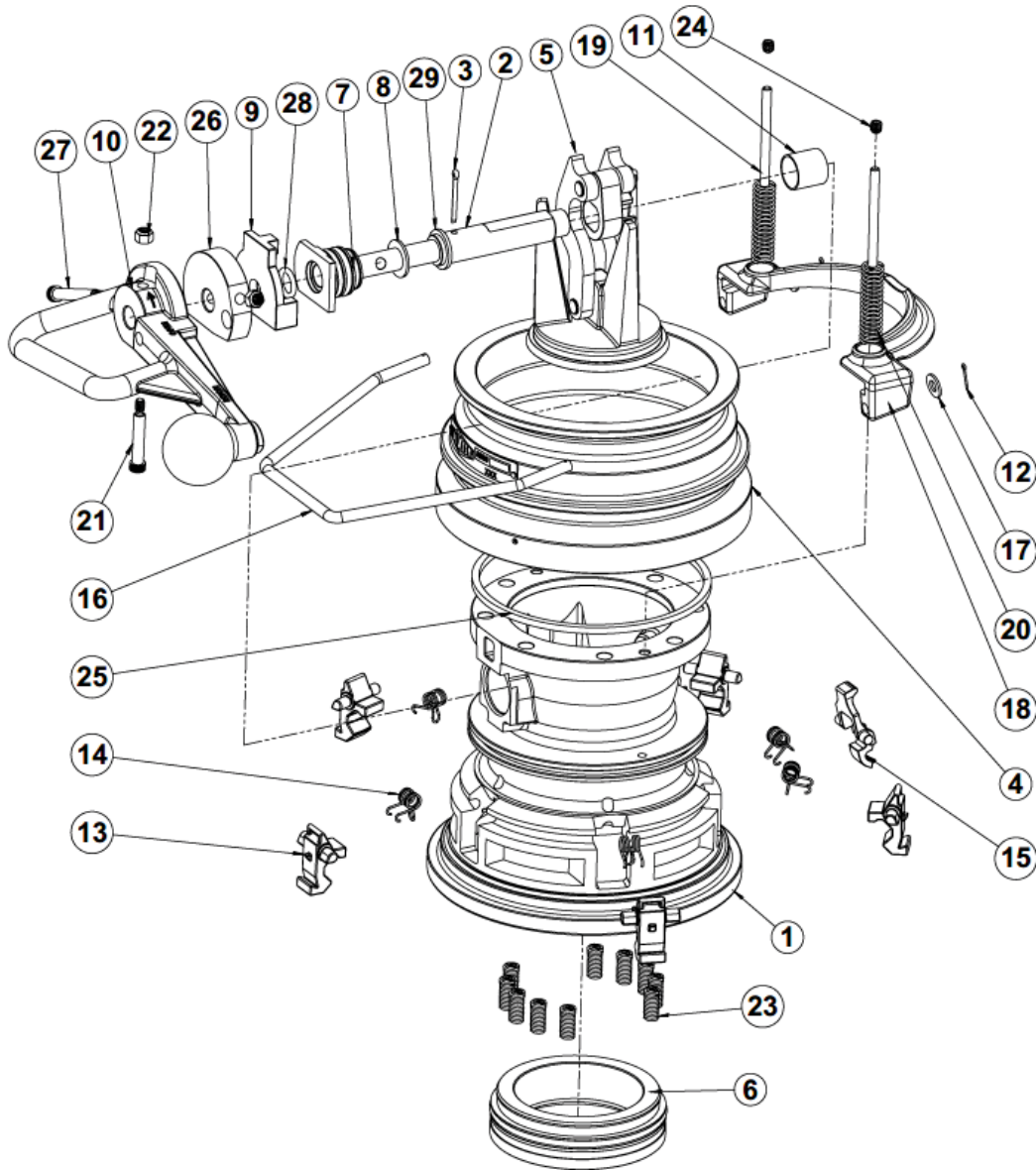


FT395 Triple socket (Canada)



FT393 Triple socket (US)

5500-Series API Coupler



Repair Kits

Description	Part #
small parts kit for 5500-Series rack coupler	5500RK21
aluminum replacement handle kit with bolt and nut	5500RK22
stainless steel replacement handle kit with bolt and nut	5500RK23
locking handle kit	5500RK24
aluminum short handle replacement kit with bolt and nut	5500RK25
replacement poppet kit with links, pins, and cotter pin	5500RK26
replacement seal cylinder-no seal	5500RK27
replacement FKM-GFLT bearing kit for 5500	5500RK51

5500-Series API Coupler

See 5500-Series explosion diagram on preceding page

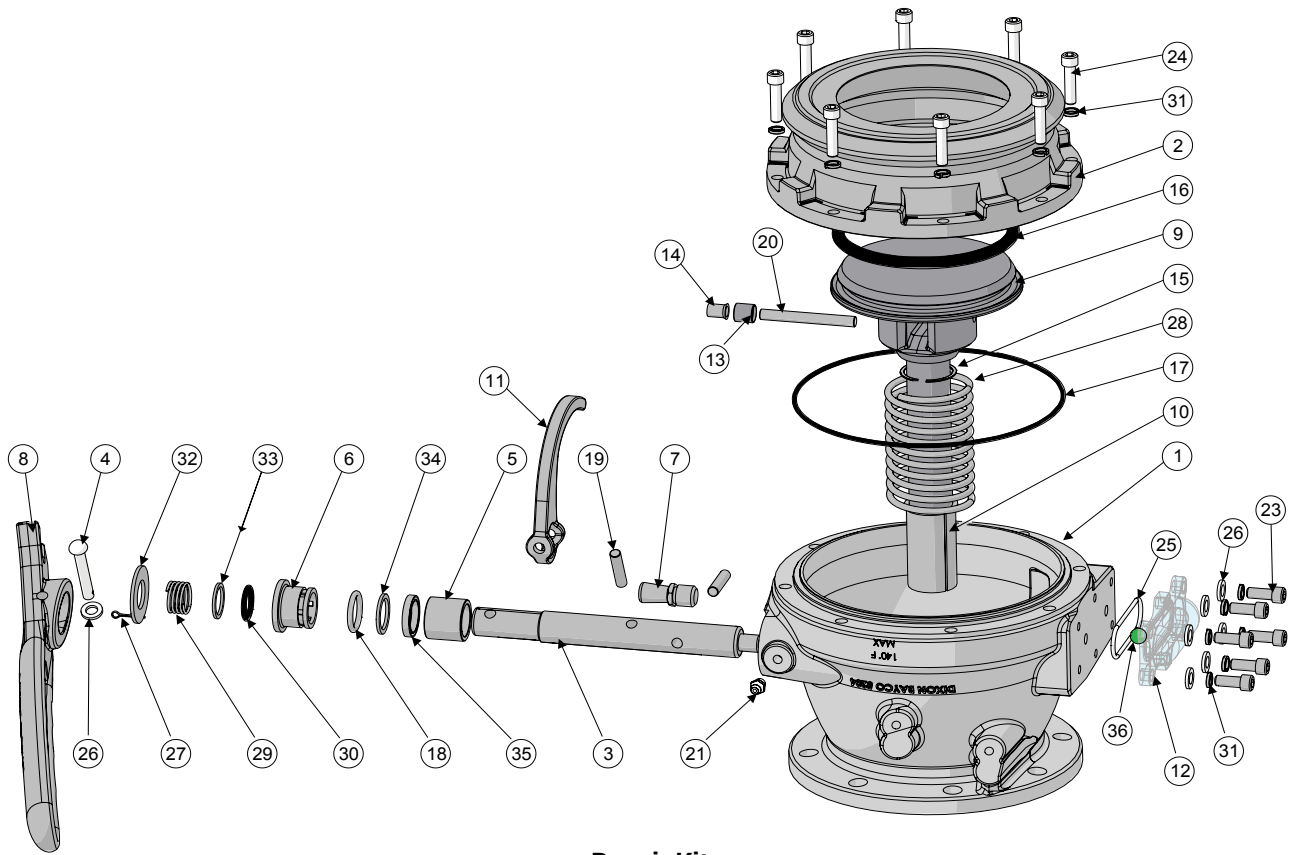
Bill of Materials

Qty of Components per Unit

Item #	Description	Part #	5500BL	5500E	5500K	5500B	5500G	5500F	5500H
1	body	341933	1	1	1	1	1	1	1
2	shaft	391876	1	1	1	1	1	1	1
3	cotter pin	112307	1	1	1	1	1	1	1
4	sleeve assembly	400764	1	1	1	1	1	1	1
5	valve assembly	400739	1	1	1	1	1	1	1
6A	nose seal assembly-FKM B	400741	--	--	--	1	--	--	--
6B	nose seal assembly-EPDM	400745	--	1	--	--	--	--	--
6C	nose seal assembly-silicone	400746	--	--	--	--	--	1	--
6D	nose seal assembly-FKM GFLT	400742	--	--	--	--	1	--	--
6E	nose seal assembly-Baylast	400743	1	--	--	--	--	--	--
6F	nose seal assembly-FFKM	400767	--	--	1	--	--	--	--
6G	nose seal assembly-Hifluor	400769	--	--	--	--	--	--	1
7A	bearing assembly-FKM B	400747	--	--	--	1	--	--	--
7B	bearing assembly-EPDM	400751	--	1	--	--	--	--	--
7C	bearing assembly-silicone	400752	--	--	--	--	--	1	--
7D	bearing assembly-FKM GFLT	400748	--	--	--	--	1	--	--
7E	bearing assembly-Baylast	400749	1	--	--	--	--	--	--
7F	bearing assembly-FFKM	400766	--	--	1	--	--	--	--
7G	bearing assembly-Hifluor	400770	--	--	--	--	--	--	1
8	bearing washer	112601	1	1	1	1	1	1	1
9	locking plate	112589	1	1	1	1	1	1	1
10A	handle	341937	1	1	1	1	1	1	1
10B	handle lockable assembly	400740	--	--	--	--	--	--	--
10C	stainless steel handle	112627	--	--	--	--	--	--	--
10D	handle SS lockable assembly	400765	--	--	--	--	--	--	--
10E	short handle	341941	--	--	--	--	--	--	--
11	spacer	391142	1	1	1	1	1	1	1
12	cotter pin	111563	2	2	2	2	2	2	2
13	interlocking cam	112147	5	5	5	5	5	5	5
14	torsion spring	112149	6	6	6	6	6	6	6
15	latch	112240	1	1	1	1	1	1	1
16	release	391875	1	1	1	1	1	1	1
17	release washer	112602	2	2	2	2	2	2	2
18	bail	341935	1	1	1	1	1	1	1
19	bail pin	112619	2	2	2	2	2	2	2
20	bail spring	112150	2	2	2	2	2	2	2
21	shoulder screw	112621	1	1	1	1	1	1	1
22	lock nut	112620	1	1	1	1	1	1	1
23	comp. spring	112617	10	10	10	10	10	10	10
24	set screw	112622	2	2	2	2	2	2	1
25	dust ring	112173	1	1	1	1	1	1	1
26	sleeve lock	112625	1	1	1	1	1	1	1
27	shoulder screw	112626	1	1	1	1	1	1	1
28A	O-ring 208, FKM B	112603	--	--	--	1	--	--	--
28B	O-ring 208, EPDM	112611	--	1	--	--	--	--	--
28C	O-ring 208, silicone	112613	--	--	--	--	--	1	--
28D	O-ring 208, FKM GFLT	112605	--	--	--	--	1	--	--
28E	O-ring 208, Baylast	112607	1	--	--	--	--	--	--
28F	O-ring 208, FFKM	112643	--	--	1	--	--	--	--
28G	O-ring 208, Hifluor	112653	--	--	--	--	--	--	1
29	INSIDE SHAFT WASHER	112159	1	1	1	1	1	1	1

Product instruction sheets and technical data can be viewed on our website at canada.dixonvalve.com

5204-Series, API Bottom Load Valves



Repair Kits

Part #	Description	Includes Item #
5204K1	Baylast™ poppet O-ring	16A
5204K2	complete rebuild kit: Baylast™ O-rings, bearings	6, 10, 13, 14, 16A, 17A, 18A, 25A, 30, 32, 35
5204KV2	complete rebuild kit: FKM poppet O-ring, Baylast O-rings, bearings	6, 10, 13, 14, 16B, 17A, 18A, 25A, 30, 32, 35
5204K3	anodized nose ring with Baylast gasket, screws, and lock washers	2, 17A, 24, 31
5204K5	detachable handle assembly (for 5204C and 5204NGC)	not illustrated
5204K6	PTFE encapsulated seal kit, poppet O-ring, nose O-ring, shaft O-ring, and sight glass O-ring	16C, 17B, 18B, 25B
5204K7	fixed handle assembly	4, 6, 8A, 26, 27, 29, 32
5204K8	sight glass repair kit	12, 25A, 36
5204K9	sight glass cover kit (to convert units with sight glass to non-sight glass)	not illustrated
5204K11	nose ring replacement 8 hex bolts and 8 washers kit	24, 31
5204K12	sight glass replacement hardware, 6 hex bolts, 6 lock washers, and 4 washers kit	23, 26, 31
5204K13	full body sight glass, seals, and retainer kit for 5204SFI	38, 39, 40

NOTE: See 5204-Series bill of materials on the following page

Product instruction sheets and technical data can be viewed on our website at canada.dixonvalve.com

5204-Series, API Bottom Load Valves

See 5204-Series explosion diagram on preceding page

Bill of Materials

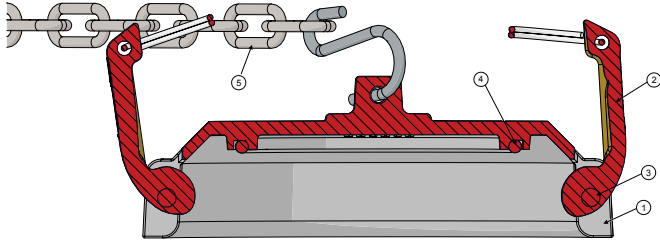
Qty of Components per Unit

Item #	Description	Part #	Qty of Components per Unit										
			5204	5204NG	5204TNG	5204SNG	5204NGV	5204C	5204NGC	5204L	5204LNG		
1	body-pipe end	---	1	1	1	1	1	1	1	1	1	1	1
2	nose ring	use kit 5204K3	1	1	1	1	1	1	1	1	1	1	1
3	shaft	390812	1	1	1	1	1	1	1	1	---	---	---
4	handle pin	111559	1	1	1	1	1	---	---	---	---	---	---
5	shaft spacer	390813	1	1	1	1	1	1	1	1	---	---	---
6	shaft bearing	111557	1	1	1	1	1	1	1	1	---	---	---
7	stop pin	5204-SP	1	1	1	1	1	1	1	1	---	---	---
8A	fixed handle	use kit 5204K7	1	1	1	1	1	---	---	---	---	---	---
8B	removeable handle	use kit 5204K5	---	---	---	---	---	1	1	---	---	---	---
9A	poppet (load/unload versions)	341755	1	1	1	1	1	1	1	1	---	---	---
9B	poppet (load only versions)	341756	---	---	---	---	---	---	---	---	1	1	---
10	poppet bearing	341801	1	1	1	1	1	1	1	1	1	1	1
11	cam	111550	1	1	1	1	1	1	1	1	---	---	---
12	sight glass	use kit 5204K8	1	---	---	---	---	1	---	1	---	---	---
13	poppet roller	390815	1	1	1	1	1	1	1	1	---	---	---
14	poppet roller bearing	111556	1	1	1	1	1	1	1	1	---	---	---
15	retaining ring	111560	1	1	1	1	1	1	1	1	1	1	1
16A	Baylast™ poppet O-ring	5204K1	1	1	---	1	---	1	1	1	1	1	1
16B	FKM poppet O-ring	5204KV1	---	---	---	---	1	---	---	---	---	---	---
16C	PTFE encapsulated poppet O-ring	use kit 5204K6	---	---	1	---	---	---	---	---	---	---	---
17A	nose ring O-ring	111554	1	1	---	1	1	1	1	1	1	1	1
17B	PTFE nose O-ring	use kit 5204K6	---	---	1	---	---	---	---	---	---	---	---
18A	shaft O-ring	111552	1	1	---	1	1	1	1	1	---	---	---
18B	PTFE shaft O-ring	use kit 5204K6	---	---	1	---	---	---	---	---	---	---	---
19	shaft and cam roll pin	6000-12	2	2	2	2	2	2	2	2	---	---	---
20	pin roller	111566	1	1	1	1	1	1	1	1	---	---	---
21	grease fitting	111561	1	1	1	1	1	1	1	1	---	---	---
23	sight glass screw	use kit 5204K12	6	---	---	---	---	6	---	6	---	---	---
24	nose ring screw	use kit 5204K11	8	8	8	8	8	8	8	8	8	8	8
25A	Baylast sight glass O-ring	use kit 5204K8	1	---	---	---	---	1	---	1	---	---	---
25B	PTFE sight glass O-ring	use kit 5204K6	---	---	---	---	---	---	---	---	---	---	---
26	washer	111562	1	1	1	1	1	6	---	6	---	---	---
27	cotter pin	111563	1	1	1	1	1	---	---	---	---	---	---
28A	main spring-steel	111564	1	1	---	---	1	1	1	1	1	1	1
28B	main spring-stainless steel	111542	---	---	1	1	---	---	---	---	---	---	---
29	handle spring	111565	1	1	1	1	1	1	1	1	---	---	---
30	dust seal O-ring	111553	1	1	1	1	1	1	1	1	---	---	---
31	lock washer 1/4"	111569	14	8	8	8	8	8	14	8	14	8	8
32	handle shaft spring washer	111573	1	1	1	1	1	1	1	1	---	---	---
33	handle shaft washer	111574	1	1	1	1	1	1	1	1	---	---	---
34	back-up ring	111579	1	1	1	1	1	1	1	1	---	---	---
35	U-cup seal	111580	1	1	1	1	1	1	1	1	---	---	---
36	float ball indicator	use kit 5204K8	1	---	---	---	---	1	---	---	---	---	---
38 ¹	retaining ring	use kit 5204K13	---	---	---	---	---	---	---	---	---	---	---
39 ¹	SFI sight glass	use kit 5204K13	---	---	---	---	---	---	---	---	---	---	---
40 ¹	SFI sight glass O-ring (Baylast)	use kit 5204K13	---	---	---	---	---	---	---	---	---	---	---

¹ Not illustrated, parts for 5204-SFI

Product instruction sheets and technical data can be viewed on our website at canada.dixonvalve.com

5000-24 API Dust Caps



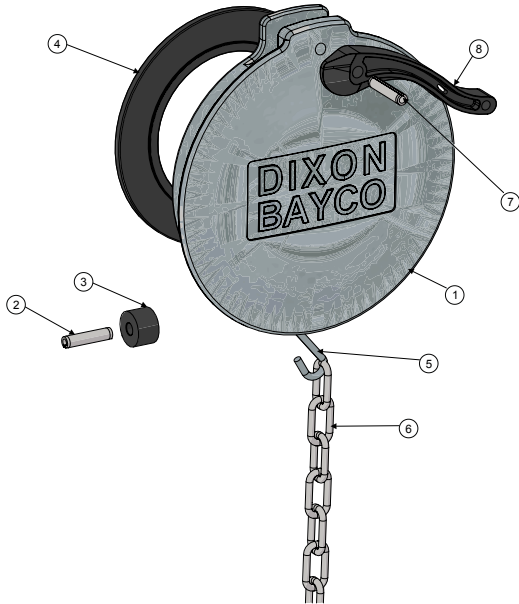
Bill of Materials

Item #	Description	Part #	Qty
1	body	---	1
2	cam arm and ring	300-HRP-BR	2
3	cam arm pin	5000-24	2
4A	Baylast™ O-ring (standard)	4500-5	1
4B	FKM O-ring (optional)	4500-7	1
5	18" chain and S hook	5205-RK4	1

Repair Kits

Part #	Description	Item #
4500RK	cam arms, pins and Baylast O-ring seal (standard)	2, 3, 4A
4500RK-V	cam arms, pins and FKM O-ring seal (optional)	2, 3, 4B
5205-RK4	18" chain and S hook	5

5205 API Dust Caps



Bill of Materials

Item #	Description	Part #	Qty
1	body	---	1
2	slotted pin	use kit 5205-RK3	1
3	roller	use kit 5205-RK3	1
4	gasket	use kit 5205-RK1	1
5	S hook	use kit 5205-RK4	1
6	18" chain	use kit 5205-RK4	1
7	spring pin	use kit 5205-RK2	1
8	plastic cam arm	use kit 5205-RK2	1

Repair Kits

Part #	Description	Item #
5205-RK1	gasket kit	4
5205-RK2	cam arm and pin	7, 8
5205-RK3	roller and pin	2, 3
5205-RK4	chain and S hook	5, 6

Product instruction sheets and technical data can be viewed on our website at canada.dixonvalve.com

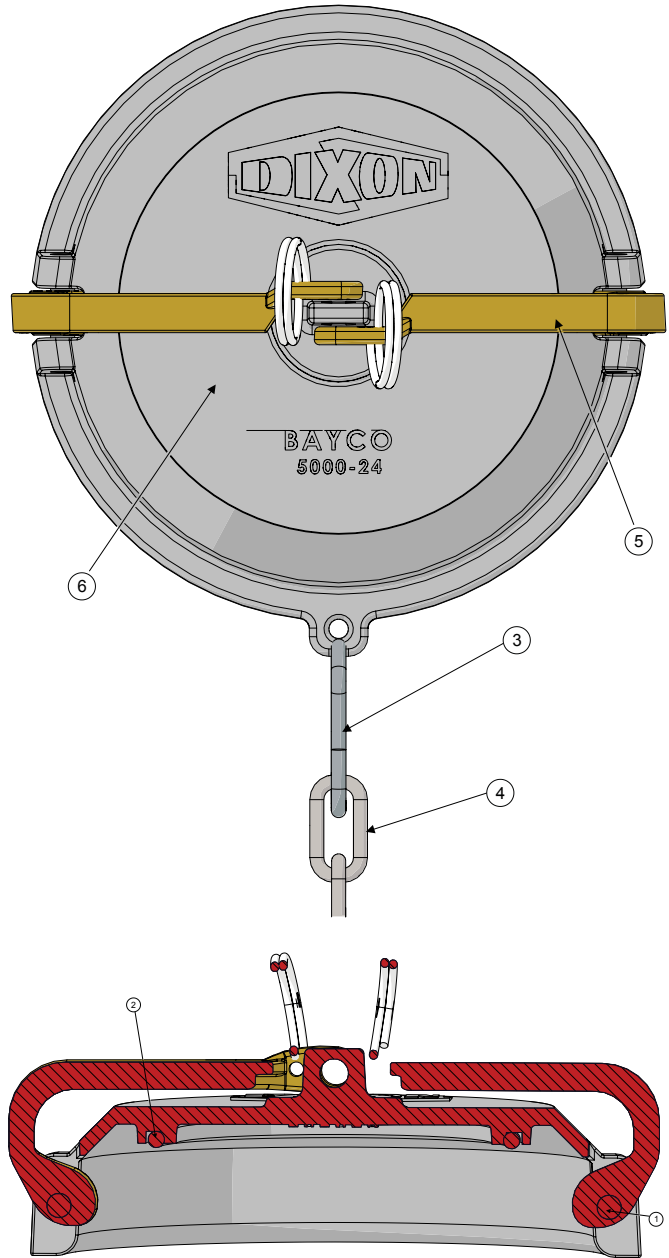
5000-24L Lockable API Caps

Bill of Materials

Item #	Description	Part #	Qty
1	pin	325-P	2
2	NBR O-ring	4500-5	1
3	S hook	112167	1
4	chain 18"	500-15	1
5	lockable arm with ring	341836	2
6	API dust cap	---	1

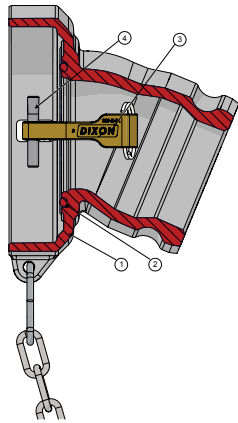
Repair Kit

Part #	Description	Item #
5000-24LRK	arm and seal repair kit	1, 2, 5



Product instruction sheets and technical data can be viewed on our website at canada.dixonvalve.com

4530 and 4540-Series Gravity Drop Adapters



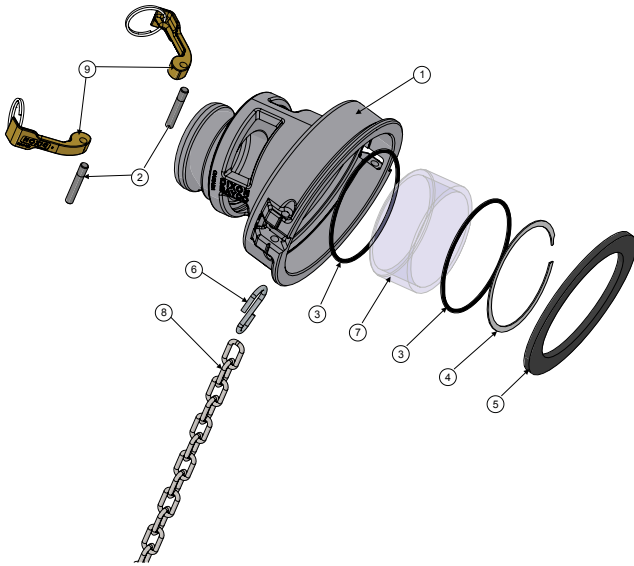
Bill of Materials

Item #	Description	Part #	Qty
1	body	---	1
2A	Baylast™ O-ring (standard)	4500-5	1
2B	FKM O-ring (standard)	4500-7	1
3	cam arm and ring	300-HRP-BR	2
4	cam pin	300-HRP-BR	2
---	18" chain and S hook	5205-RK4	1

Repair Kits

Part #	Description	Item #
4500RK	cam arms, rings, pins and Baylast O-ring	2A, 3, 4
4500RK-V	cam arms, rings, pins and FKM O-ring	2B, 3, 4
5205-RK4	8" security chain and S hook	---

4530SG and 4540SG (with Sight Glass) Gravity Drop Adapters



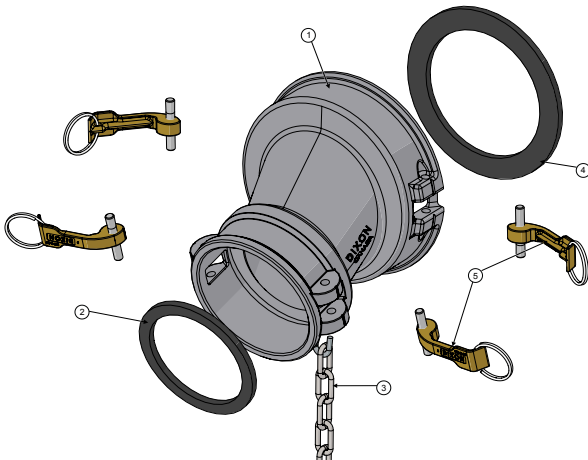
Bill of Materials

Item #	Description	Part #	Qty
1	body	---	1
2	cam arm pin	L519-15	2
3	Baylast O-ring	112052	2
4	retaining ring	112053	1
5	Baylast main gasket	4540SG-RK2	1
6	S hook	use kit 5205-RK4	1
7	sight glass	use kit 4540SG-RK1	1
8	18" chain	use kit 5205-RK4	1
9	cam arm and ring	ACAR34BZ	2

Repair Kits

Part #	Description	Item #
4540SG-RK1	sight glass repair kit (fits 3" and 4")	3, 4, 7
4540SG-RK2	Baylast main gasket (fits 3" and 4")	5A
4540SG-RK2-V	FKM main gasket (fits 3" and 4")	5B
4540SG-RK3	cam arms and pins (fits 3" and 4")	2, 9
5205-RK4	chain and S hook	6, 8

4540F Gravity Drop Adapters



Bill of Materials

Item #	Description	Part #	Qty
1	body	---	1
2	4" NBR fuel gasket	400-G-BF	1
3	18" chain with S hook	5205-RK4	1
4	Baylast main gasket	4540SG-RK2	1
5	brass cam arm, pin and finger ring (kit)	300-HRP-BR	4

Product instruction sheets and technical data can be viewed on our website at canada.dixonvalve.com

4500 Drop Adapter Mounting Ring for 2-Piece Gravity Drop Adapters

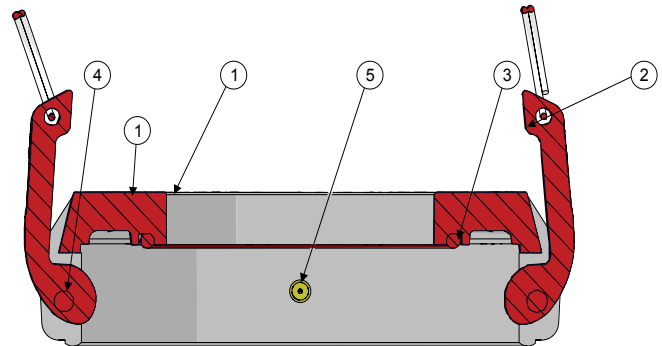
4500, 4502 and 4504 Main Body Inlet

Bill of Materials

Item #	Description	Part #	Qty
1	body	---	1
2	cam arm and ring	300-HRP-BR	2
3A	Baylast™ O-ring (standard)	4500-5	1
3B	FKM O-ring (optional)	4500-7	1
4	cam arm pin	300-HRP-BR	2
5	rivet	390564	1

Repair Kits

Part #	Description	Item #
4500RK	cam arms, rings, pins and Baylast O-ring (standard)	2, 3A, 4
4500RK-V	cam arms, rings, pins and FKM O-ring (optional)	2, 3B, 4



4500-Series Drop Adapter Outlets

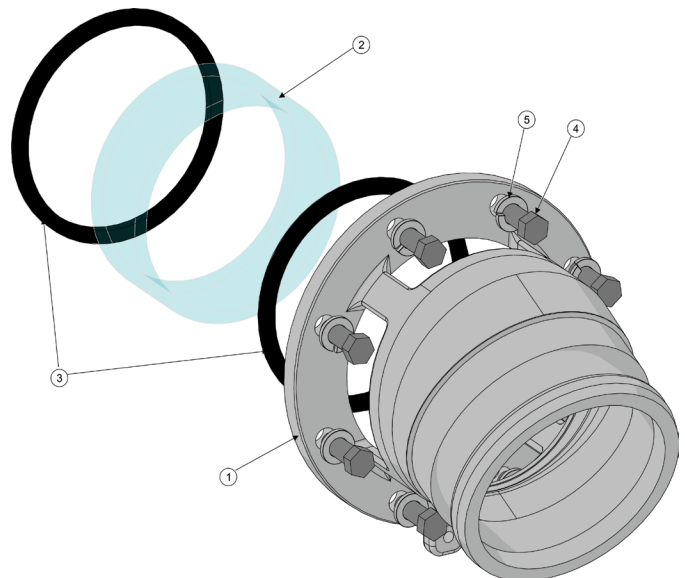
4501, 4502, 4503 and 4504

Bill of Materials

Item #	Description	Part #	Qty
1	body	---	1
2	sight glass	see below	2
3A	Baylast gasket	4433	2
3B	FKM gasket	4426	1
4	stainless bolt	4427	8
5	stainless washer	WASHER.375-SS	8
not illustrated	coupler gasket for 4504	400-G-BF	1
not illustrated	cam arm and ring for 4504	ACAR34BZ	2
not illustrated	cam arm pin for 4504	L519-12	2

Repair Kits

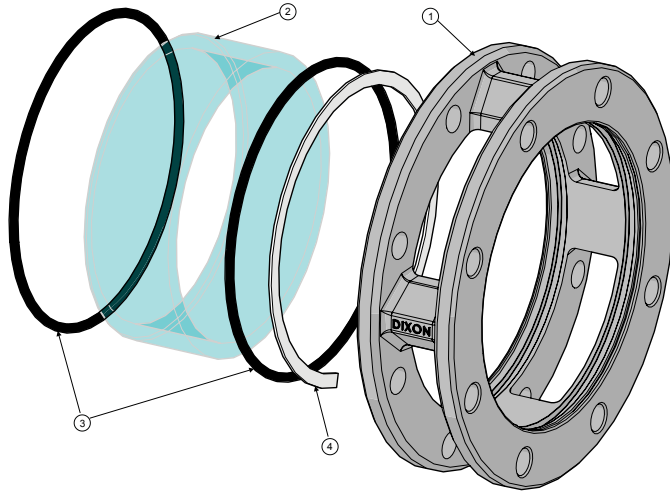
Part #	Description	Item #
4400SGK	sight glass and Baylast gaskets for 4501 and 4504	2, 3A
4400SGK-V	sight glass and FKM gaskets for 4501 and 4504	2, 3B
4502SGK	sight glass and Baylast gaskets for 4502 and 4503	2, 3A
4502SGK-V	sight glass and FKM gaskets for 4502 and 4503	2, 3B



Product instruction sheets and technical data can be viewed on our website at canada.dixonvalve.com

5200-SFI-Series, Sight Glass

Bill of Materials



Item #	Description	Part #
1A	body 3"-1-3/4"	241667
1B	body 3"-3-1/4"	242055
1C	body 4"-3-3/4"	241964
1D	body 4"-3-1/4"	242028
2A	sight glass	391149
2B	sight glass	391859
2C	sight glass	390843
2D	sight glass	390844
3A	3" Baylast™ O-ring	111692
3B	3" FKM O-ring	112097
3C	4" Baylast O-ring	112028
3D	4" FKM O-ring	112098
4A	3" retaining ring	112056
4B	3" retaining ring	40419SS
4C	4" retaining ring	112055
4D	4" retaining ring	40420SS

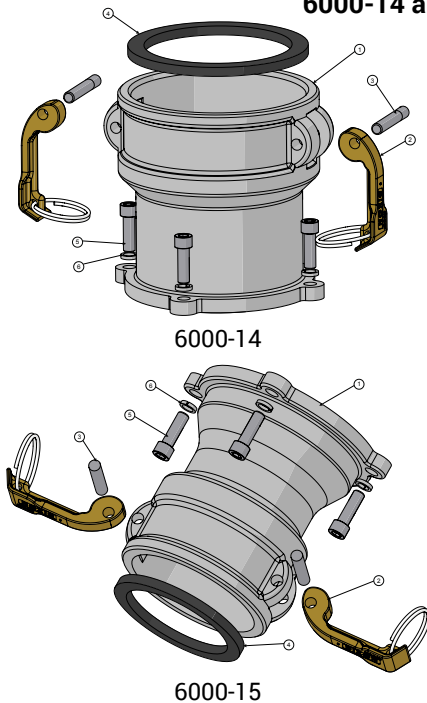
Repair Kits

Part #	Description	Includes Item #
5200-SFI-3-RK1	sight glass for 5200-SFI-3	2C, 3A, 4A
5200-SFI-RK1	sight glass for 5200-SFI	2D, 3C, 4C
5200-SFIV-RK1	sight glass for 5200-SFIV	2D, 3D, 4C
5200-SFI-3V-RK1	sight glass for 5200-SFI-3V	2C, 3B, 4A
5201-SFI-3-RK1	sight glass for 5201-SFI-3	2B, 3A, 4A
5201-SFI-RK1	sight glass for 5201-SFI	2A, 3C, 4C

Drop Elbow Inlets

Fits 6000, and 6500-Series Elbows

6000-14 and 6000-15 Female Coupler Inlets



Bill of Materials

Item #	Description	Part #	Qty
1	body	---	1
2	cam arm and ring	300-HRP-BR	2
3A	4" cam arm pin	300-HRP-BR	2
3B	3" cam arm pin	300-HRP-BR	2
4A	4" gasket (6000-14)	400-G-BF	1
4B	3" gasket (6000-15)	300-G-BF	1
5	hex screw	use kit 6000NPHK	4
6	lock washer	use kit 6000NPHK	4

Repair Kit

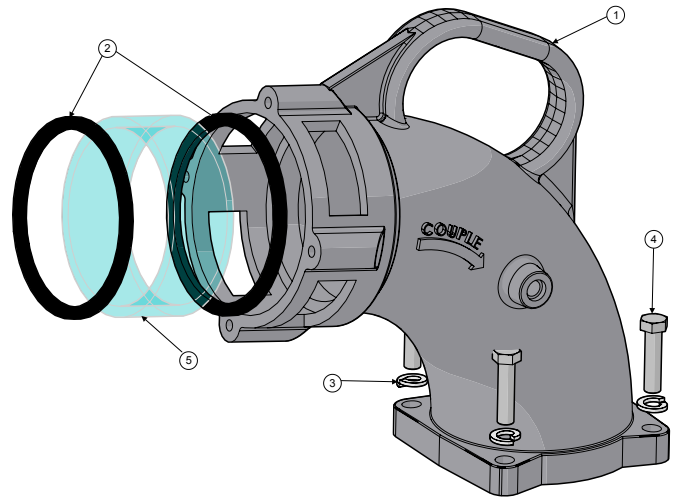
Part #	Description	Includes Item #
6000NPHK	adapter kit includes (4) bolts and (4) lock washers	5, 6

Product instruction sheets and technical data can be viewed on our website at canada.dixonvalve.com

Top "D" Handle Elbows Fits 6000 Elbow Only

Bill of Materials

Item #	Description	Part #	Qty
1	body	6200-1	1
2A	Baylast™ gasket	4433	2
2B	FKM gasket (optional)	4426	2
3	lock washer	use kit 6000EHK	4
4	bolt	use kit 6000EHK	4
5	sight glass	use kit 6200SGK	1



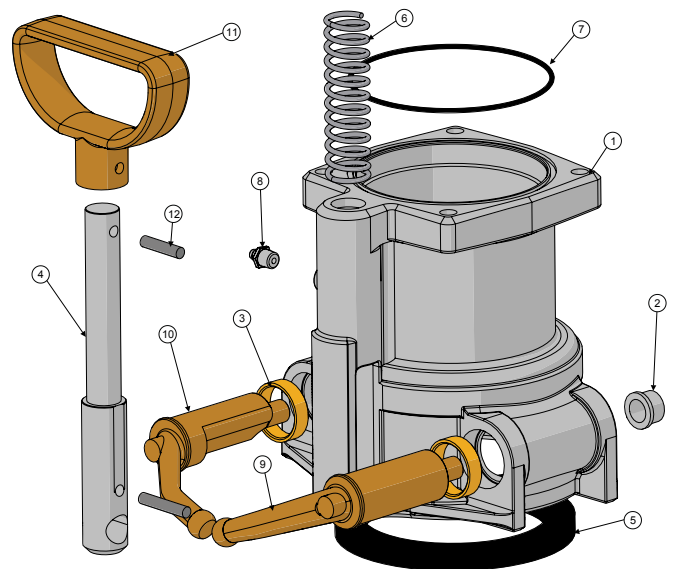
Repair Kits

Part #	Description	Includes Item #
6200SGK	sight glass and Baylast seal	2, 5
6000EHK	bolts and washers	3, 4

Bottom Unit, for "D" Handle Elbows Fits 6000, 6303 and 6304

Bill of Materials

Item #	Description	Part #	Qty
1	body	use kit 6030	1
2	small bushing	use kit 6200BK	2
3	large bushing	use kit 6200BK	2
4	handle stem	6000-7	1
5	main gasket	6000-9	1
6	spring	112012	1
7	O-ring	AS156	1
8	grease nipple	NIPPLE/1	1
9	right arm	use kit 6200ARK	1
10	left arm	use kit 6200ARK	1
11	handle	6000-8	1
12	handle pin	6000-13	1
13	pin	6000-12	1



Repair Kits

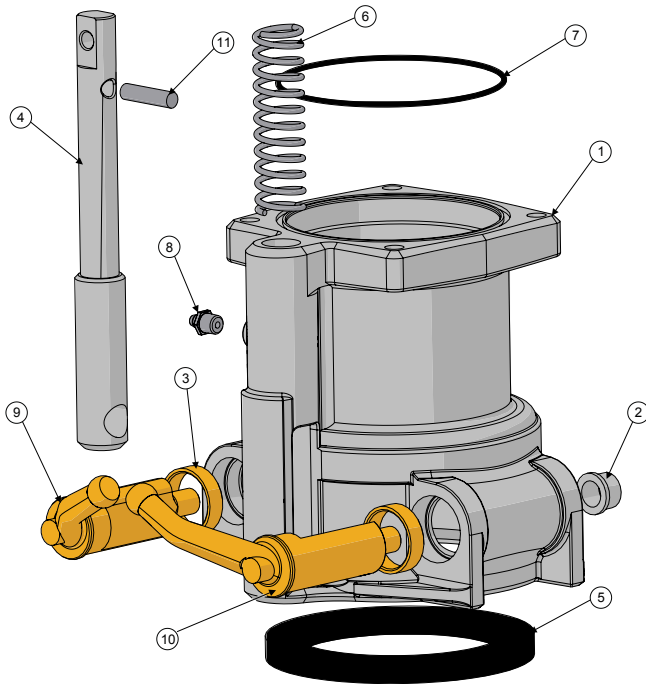
Part #	Description	Includes Item #
6030	complete bottom unit	all
6200ARK	L and R arms, main gasket, O-rings, small and large bushings	2, 3, 5, 7, 9, 10
6200BK	2 small and 2 large bushings	2, 3

Product instruction sheets and technical data can be viewed on our website at canada.dixonvalve.com

Bottom Unit, for Side Lever Elbows

Fits 6400 and 6500 Standard and Tall Elbows

Bill of Materials



Item #	Description	Part #	Qty
1	body	use kit 6230 or 6230X	1
2	small bushing	use kit 6200BK	2
3	large bushing	use kit 6200BK	2
4A	handle stem (standard)	6200-7	1
4B	handle stem (tall)	6200-7X	1
5	main gasket	6000-9	1
6	spring	112012	1
7	O-ring	AS156	1
8	grease nipple	NIPPLE/1	1
9	right arm	use kit 6200ARK	1
10	left arm	use kit 6200ARK	1
11	pin	PIN5/16X 1 1/4P	1

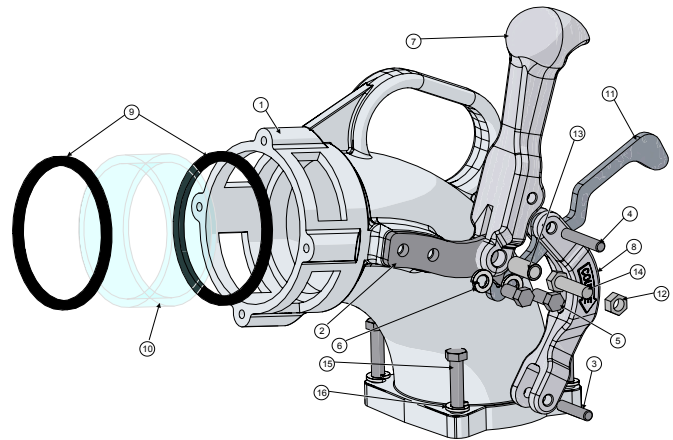
Repair Kits

Part #	Description	Includes Item #
6230	complete bottom unit	all
6230X	complete tall bottom unit	
6200ARK	L and R arms, main gasket, O-rings, small and large bushings	2, 3, 5, 7, 9, 10
6200BK	small and large bushings	2, 3

Top Side Lever Elbows Fits 6500 Elbow Only

Bill of Materials

Item #	Description	Part #	Qty
1	body	341709	1
2	mounting plate	use kit 6500AHK	1
3	lower lever pin	111728	1
4	upper lever pin	111727	1
5	plate screw	112242	3
6	washer	WASHER.375-SS	3
7	handle	use kit 6500-RK1	1
8	linkage	use kit 6500-RK1	1
9A	Baylast™ gasket	4433	2
9B	FKM gasket (optional)	4426	2
10	sight glass	use kit 6200SGK	1
11	locking latch	use kit 6500-RK1	1
12	lock nut	111730	1
13	bushing	390841	1
14	screw	111729	1
15	bolt	use kit 6000EHK	4
16	lock washer	use kit 6000EHK	4



For bottom end replacement parts, please see below

Repair Kits

Part #	Description	Includes Item #
6200SGK	sight glass and Baylast seals	9A, 10
6000EHK	bolts and washers	15, 16
6500-RK1	handle, linkage, lock latch, nut, bushing, pins	2, 3, 4, 5, 6, 7, 8, 11, 12, 13, 14
6500AHK	mounting plate, screws and lock washers	2, 5, 6, 14

6303 and 6304-Series Straight Drop Fittings

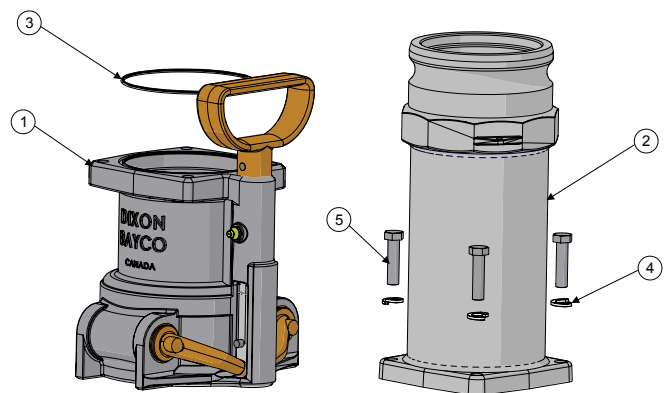
6303 (3" inlet), 6304 (4" inlet)

Bill of Materials

Item #	Description	Part #	Qty
1	complete bottom unit	6030	1
2A	4" adapter inlet tube	6304-1	1
2B	4" MNPT inlet tube	400460	1
2C	3" adapter inlet tube	6300-3	1
2D	3" MNPT inlet tube	400588	1
3	O-ring	AS156	1
4	lock washer	use kit 6000EHK	4
5	bolt	use kit 6000EHK	4

Elbow Hardware Kit

Part #	Description	Includes Item #
6000EHK	lock washer, bolt	4, 5

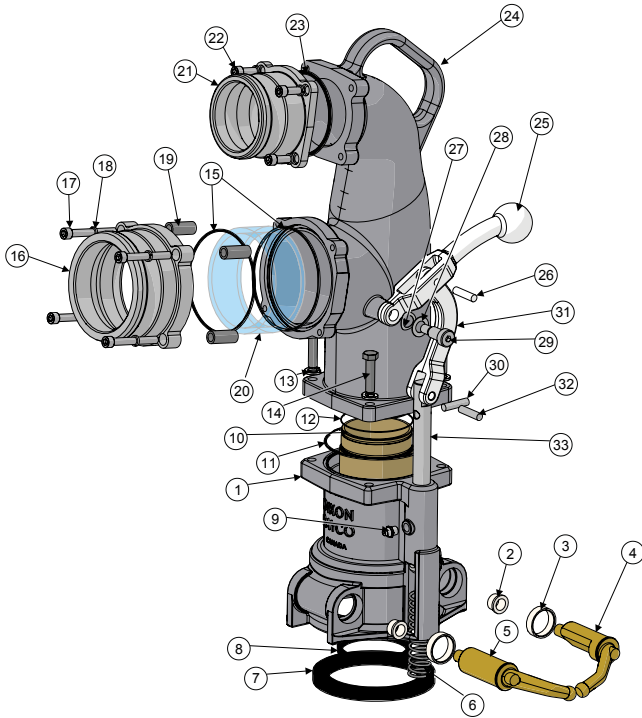


Product instruction sheets and technical data can be viewed on our website at canada.dixonvalve.com

6400-Series Coaxial Drop Elbow with 3" Male Vapor Outlet

6400 (4" Male Inlet), 6400F (4" Female Inlet), 6430 (3" Male Inlet), 6430F (3" Female Inlet)

Bill of Materials



Item #	Description	Part #	Qty
1	bottom body	use kit 6230 or 6230X	1
2	small bushing	use kit 6400ARK	2
3	large bushing	use kit 6400ARK	2
4	right arm	use kit 6400ARK	1
5	left arm	use kit 6400ARK	1
6	stem spring	112012	1
7	main gasket	6000-9	1
8	tube U-cup seal	U-CUP-2/75	1
9	grease nipple	NIPPLE/1	1
10	tube	use kit 6400-DTK or 6400EXT-3	1
11	O-ring	AS156	1
12	tube O-ring	O-RING#39	2
13	lock washer	use kit 6000EHK	4
14	bolt	use kit 6000EHK	4
15	inlet O-ring	AS156	2
16A	4" adapter fuel inlet (6400)	use kit 6000-17C	1
16B	4" coupler fuel inlet (6400F)	use kit 6000-14C	1
16C	3" adapter fuel inlet (6430)	use kit 6000-16C	1
16D	3" coupler fuel inlet (6430F)	use kit 6000-15C	1
17	inlet bolt	SC5/16-18X2.5P	4
18	inlet bolt lock washer	111723	4
19	inlet bolt spacer	6544CA-1	4
20	sight glass	use kit 6400SGK	1
21A	3" adapter vapor outlet	6400-4	1
21B	3" male NPT vapor outlet	6000-26C	1
22	vapor adapter bolt	4432	4
23	vapor adapter O-ring	110601	1
24	top coaxial elbow body	6400-1	1
25	handle	use kit 6200-15ASSM	1
26	handle pin	PIN5/16X 1 1/4P	1
27	wave washer ¹	use kit 6200SBK ¹	1
28	SS flat washer ¹	use kit 6200SBK ¹	1
29	shoulder bolt ¹	use kit 6200SBK ¹	1
30	set screw	SC3/8NCX1/2	1
31	linkage	use kit 6200-15ASSM	1
32	stem pin	PIN5/16X 1 1/4P	1
33A	lever stem (standard)	6200-7	1
33B	lever stem (tall)	6200-7X	1
34	pivot lock nut ²	use kit 6200SHK ²	1
35	washer ²	use kit 6200SHK ²	2
36	pivot stud ²	use kit 6200SHK ²	1
37	pivot bushing ²	use kit 6200SHK ²	1

Inlet Adapter and Coupler Kits

Part #	Description	Includes Item #
6000-14C	4" coupler inlet kit	16B, 17, 18
6000-15C	3" coupler inlet kit	16D, 17, 18
6000-16C	3" adapter inlet kit	16C, 17, 18
6000-17C	4" adapter inlet kit	16A, 17, 18
6000-26C	3" male NPT vapor outlet	21B

Repair Kits

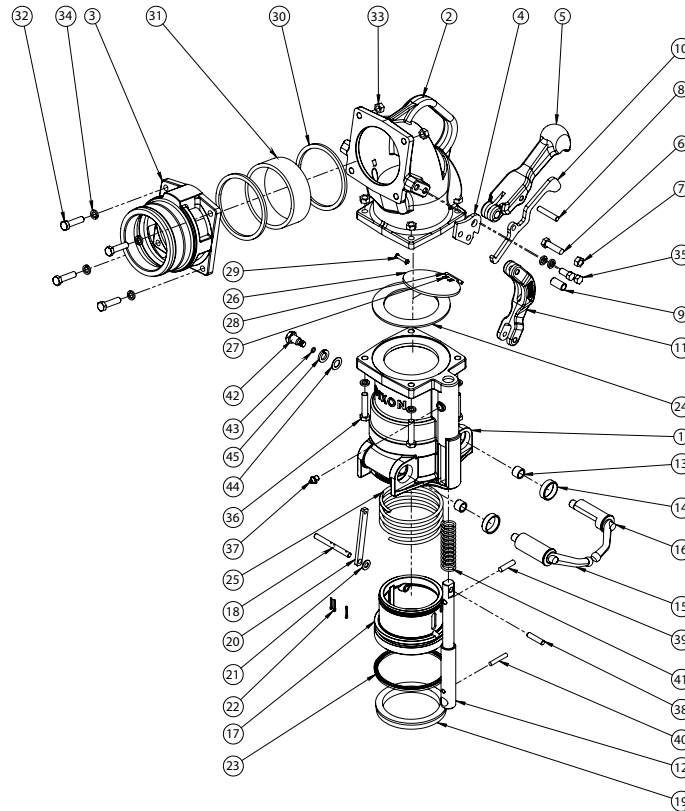
Part #	Description	Includes Item #
6230	complete bottom unit	1-7, 9, 11, 32, 33A
6230X	complete tall bottom unit	1-7, 9, 11, 32, 33B
6400ARK	L and R arms, main gasket, O-rings, small and large bushings	2-5, 7, 8, 11, 12
6200BK	small and large bushings	2, 3
6400SGK	sight glass and seal	15, 20
6200-15ASSM	handle, lever, and pin	25, 26, 31
6000EHK	bolts and washers	13, 14
6400-DTK	tube, O-ring, and U-cup seal	8, 10, 12
6200SHK ²	pivot stud, bushing, washer, and lock nut	34-37
6200SBK ¹	shoulder bolt pivot, wave washer, and flat washer	27-29
6400EXT-3	tall tube, O-ring, and U-cup seal	8, 10, 12

¹ items 27, 28, and 29 are for the newer version with a shoulder bolt pivot only

² for the older version with stud and nut pivot, use items 34 through 37 instead

Product instruction sheets and technical data can be viewed on our website at canada.dixonvalve.com

6600-Series Shut Off Elbow Repair Kits



Repair Kits

Part #	Description	Includes Item #
6600RK1	shut off elbow handle kit	4, 5, 6, 7, 8, 9, 10, 11, 34, 35
6600RK2	sleeve kit for shut off elbow with flapper	17, 18, 19, 20, 21, 22, 23, 42, 43, 44, 45
6600RK3	sleeve kit for shut off elbow without flapper	17, 19, 23, 42, 43, 44, 45
6600RK4	shut off elbow flapper kit	26, 27, 28, 29
6600RK5	shut off elbow complete seal kit	19, 23, 24, 30, 43
6600RK6	shut off elbow cam arm kit	13, 14, 15, 16
6600RK7	shut off elbow cam arm bushing kit	13, 14

Bill of Materials

Item #	Description	Part #	Qty
31	sight glass only	use kit 6200SGK	1
30	baylast™ seal	use kit 6200SGK	2
4-11	handle subassembly	use kit 6600RK1	1
35	bolt hex 3/8"-16 x 3/4" LG UNC	use kit 6600RK1	2
34	washer .375" ss	use kit 6600RK1	2
17-23	sleeve subassembly	use kit 6600RK3	1
42	lock screw shut off elbow	use kit 6600RK3	1
45	washer lock .500" ss	use kit 6600RK3	1
44	flat washer 1/2" 304 ss	use kit 6600RK3	1
43	O-ring 2-010 baylast	use kit 6600RK3	1
26-28	flapper subassembly	use kit 6600RK4	1
29	3/16" clevis pin	use kit 6600RK4	1
19	main gasket-shutoff elbow	use kit 6600RK5	1
24	flapper gasket-shutoff elbow	use kit 6600RK5	1
23	lip seal	use kit 6600RK5	1
43	O-ring 2-010 baylast	use kit 6600RK5	1
30	baylast seal	use kit 6600RK5	2
15	cam arm - left	use kit 6600RK6	1
16	cam arm - right	use kit 6600RK6	1
13	small bushing	use kit 6600RK6 or 6600RK7	2
14	large bushing	use kit 6600RK6 or 6600RK7	2

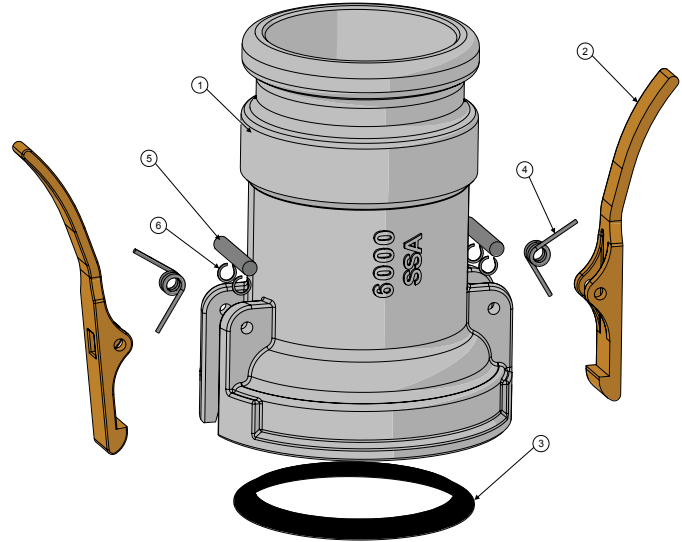
6000-SSA-Series 4" Side Seal Adapters

Bill of Materials

Item #	Description	Part #	Qty
1	body	---	1
2	coupler arm	use kit 6000SSHK	2
3	lip seal gasket	L2373	1
4	spring	L2312	2
5	pin	L2311	2
6	retaining ring	TRUARC-5100-25	4

Repair Kit

Part #	Description	Includes Item #
6000SSHK	arms, springs, pins, and retaining rings	2, 4, 5, 6



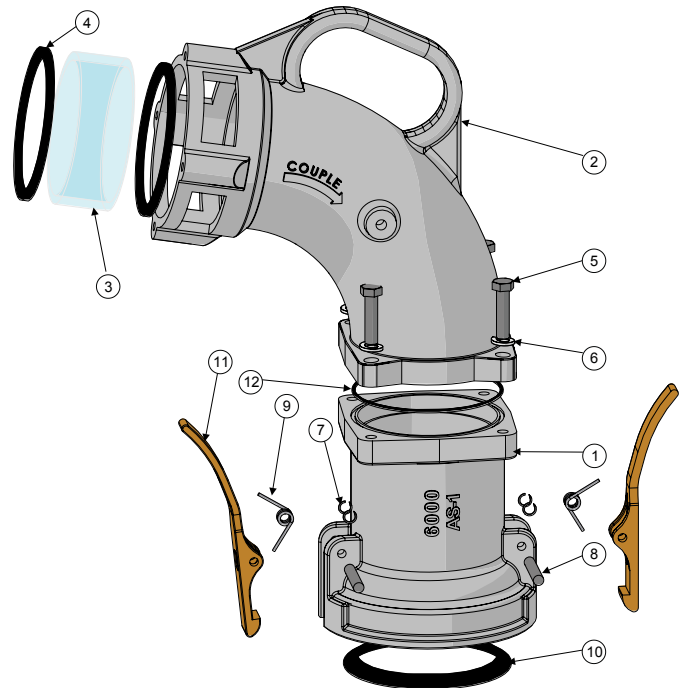
6000AS-Series Side Seal Elbows

Bill of Materials

Item #	Description	Part #	Qty
1	bottom body	use kit 6030AS	1
2	top body	6200-1	1
3	sight glass	use kit 6200SGK	1
4A	Baylast™ seal	4433	2
4B	FKM seal	4426	2
5	bolt	use kit 6000EHK	4
6	lock washer	use kit 6000EHK	4
7	retaining ring	TRUARC-5100-25	4
8	pin	L2311	2
9	spring	L2312	2
10	lip seal	L2373	1
11	arm	use kit 6000SSHK	2
12	O-ring	AS156	1

Repair Kits

Part #	Description	Includes Item #
6000ASK	lip seal and body O-ring	10, 12
6030AS	complete replacement bottom unit	1, 7, 8, 9, 10, 11, 12
6200SGK	sight glass and Baylast seals	3, 4
6000EHK	lock washers and bolts	5, 6
6000SSHK	arms, springs, pins, and reining rings	7, 8, 9, 11
6000ASR	arm lock ring	not illustrated



Product instruction sheets and technical data can be viewed on our website at canada.dixonvalve.com

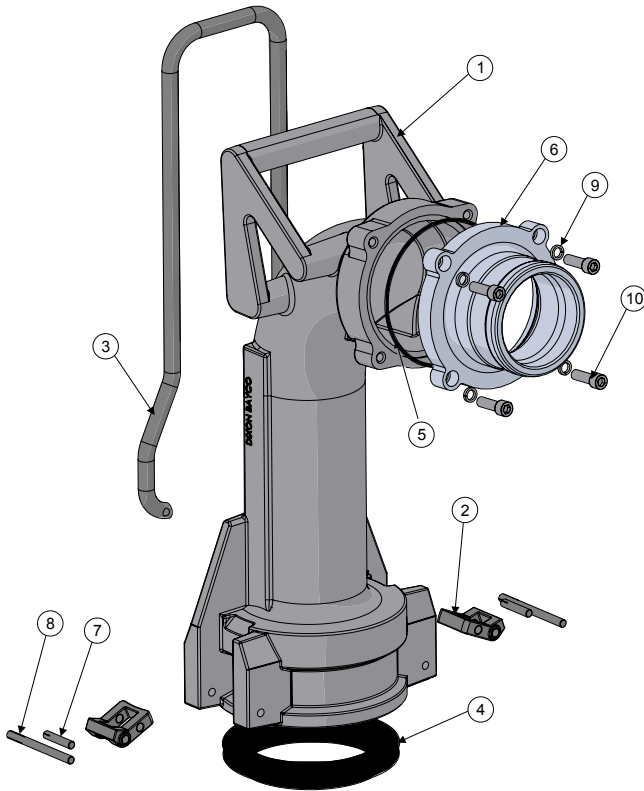
VR6100-Series Vapor Elbows

Bill of Materials

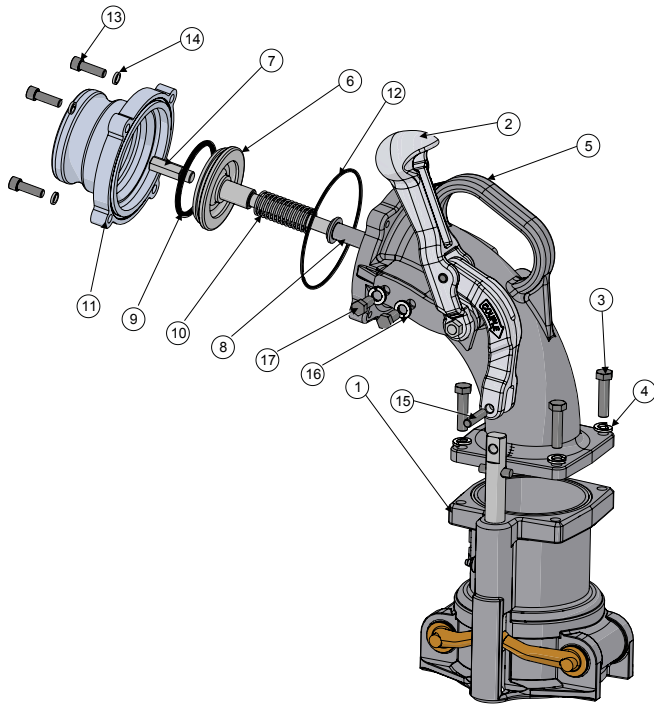
Item #	Description	Part #	Qty
1	body	---	1
2	cam	use kit VR6100CAK	2
3	lift handle	112138-L	1
4	seal	112245	1
5	O-ring	use kit VR6000-6	1
6	adapter 3"	use kit VR6000-6	1
7	grooved pin .25X1.25 SS	use kit VR6100CAK	2
8	grooved pin .25X3 SS	use kit VR6100CAK	2
9	lock washer	use kit 6000NPHK	4

Repair Kits

Part #	Description	Includes Item #
VR6100CAK	(2) cam and pin kit	2, 7, 8
6000NPHK	adapter kit includes (4) bolts and (4) lock washers	9, 10
112245	seals	4



VR6500-Series Vapor Elbows



Bill of Materials

Item #	Description	Part #	Qty
1	complete bottom body	VR6230	1
2	handle assembly	use kit VR6500RK1	1
3	body bolt	use kit 6000EHK	4
4	body lock washer	use kit 6000EHK	4
5	elbow body	341784	1
6	poppet valve	VR6000-4	1
7	poppet valve stand off	VR6000-5	1
8	poppet bushing	VR6000-3	1
9	FKM O-ring	O-RING-AS-334	1
10	poppet spring	L1110-L2287	1
11	outlet adapter and O-ring	VR6000-6	1
12	outlet O-ring	110319	1
13	outlet adapter bolt	use kit 6000NPHK	4
14	outlet lock washer	use kit 6000NPHK	4
15	lower lever pin	111728	1
16	side plate lock washer	WASHER.375-SS	2
17	side plate bolt	112242	2

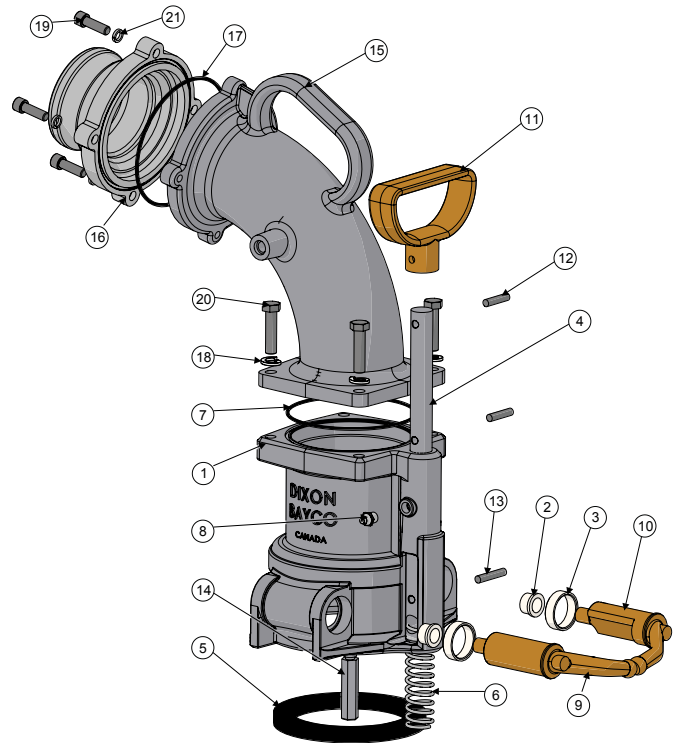
Repair Kits

Part #	Description	Includes Item #
VR6500RK1	handle, linkage, mounting plate, bolt, nut, bushing, and pins	2
6000EHK	(4) body bolts and washers	3, 4
6000NPHK	adapter kit includes (4) bolts and (4) lock washers	13, 14

VR6000NP-Series Vapor Elbows

Bill of Materials

Item #	Description	Part #	Qty
1	bottom body	VR6000-2	1
2	small bushing	use kit 6200BK	2
3	large bushing	use kit 6200BK	2
4	handle stem	390842	1
5	main seal gasket	6000-9	1
6	spring	112012	1
7	O-ring	AS156	1
8	grease nipple	NIPPLE/1	1
9	right arm	VR6000-8	1
10	left arm	VR6000-9	1
11	D-handle	6000-8	1
12	D-handle pin	6000-13	1
13	spring pin	6000-12	1
14	probe	VR6000-7	1
15	elbow body	VR6000-1	1
16	outlet adapter and O-ring	VR6000-6	1
17	outlet O-ring (only)	110319	1
18	body lock washer	use kit 6200EHK	4
19	outlet adapter bolt	use kit 6000NPHK	4
20	body hex bolt	use kit 6200EHK	4
21	outlet adapter lock washer	use kit 6000NPHK	4

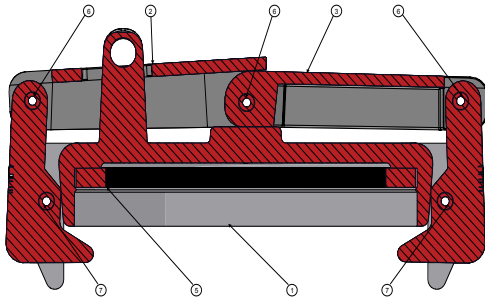


Repair Kits

Part #	Description	Includes Item #
6200BK	small (2) and large (2) large bushing kit	2, 3
6000EHK	body lock washers and bolts	18, 20
6000NPHK	adapter kit includes (4) bolts and (4) lock washers	19, 21
400637	complete bottom unit	1, 2, 3, 4, 5, 6, 7, 8, 9, 10, 11, 12, 13, 14

Product instruction sheets and technical data can be viewed on our website at canada.dixonvalve.com

SA4050AL Caps

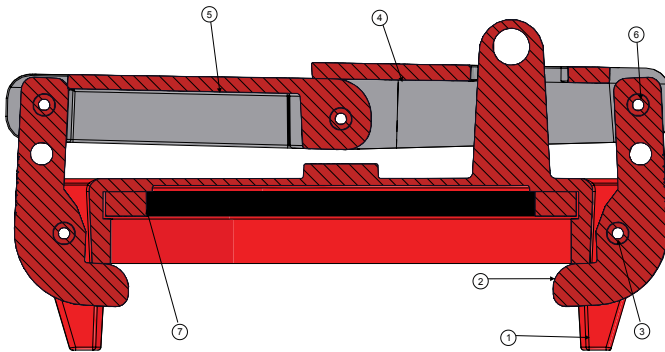


Bill of Materials

Item #	Description	Part #	Qty
1	cap body	---	1
2	top large lever	4050AL	1
3	minor lever	4062AL	1
4	cam arm	4063	2
5	gasket	400-G-BU	1
6	lever pin	4066	3
7	cam arm pin	4068	2

4" Vapor Caps

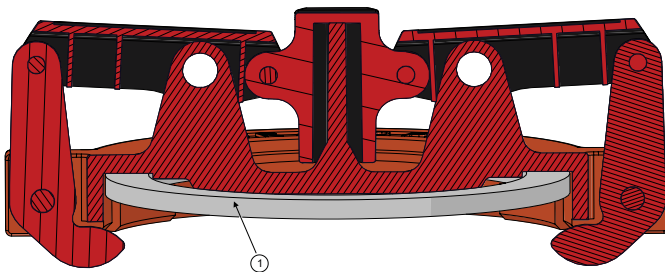
VR4050AL



Bill of Materials

Item #	Description	Part #	Qty
1	cap body	---	1
2	cam arm	VR4075	2
3	arm pin	4068	2
4	top large lever	VR4077	1
5	minor lever	VR4076	1
6	lever pin	4066	3
7	NBR gasket	400-G-BU	1

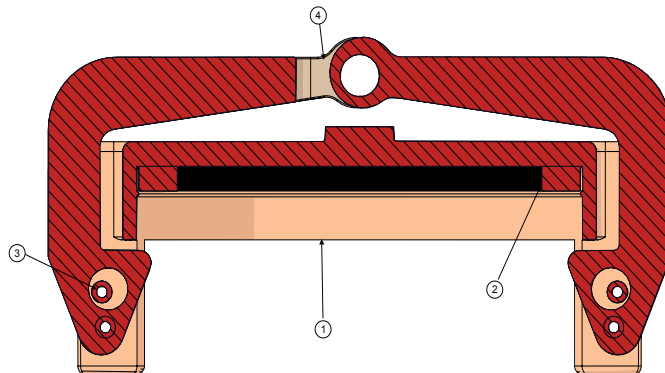
VR4050PL-Series 4" Nylon Vapor Caps



Bill of Materials

Item #	Description	Part #	Qty
1	gasket	VR4050PLRK1	1

TL4070BZ-Series Bronze Caps



Bill of Materials

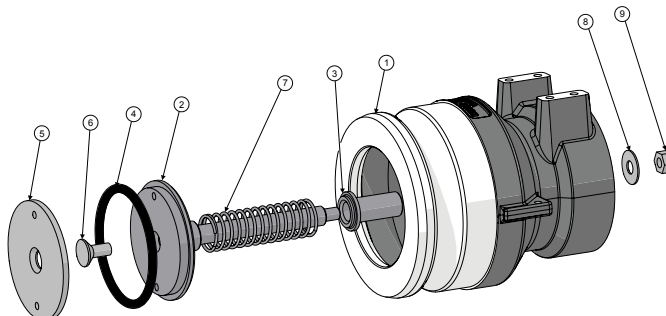
Item #	Description	Part #	Qty
1	cap body	---	1
2	NBR gasket	400-G-BU	1
3	arm pin	4068	4
4	arm (lever)	4071	2

Product instruction sheets and technical data can be viewed on our website at canada.dixonvalve.com

VR3100-Series 3" Vapor Hose Valves

Bill of Materials

Item #	Description	Part #	Qty
1	body	---	1
2	valve	341827	1
3	bushing	VR6000-3	1
4	FKM O-ring	O-RING-AS-334	1
5	valve plate	VR4100-3	1
6	screw	SC5-16NCX.75FSS	1
7	valve spring	SPRING-L5123	1



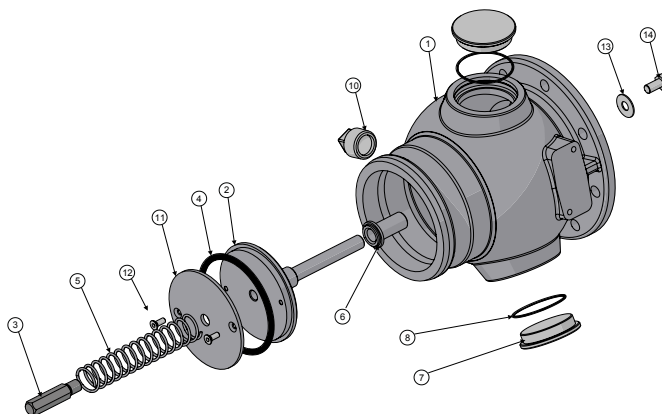
Repair Kit

Part #	Description	Includes Item #
VR4100RK1	valve, bushing, O-ring, valve plate, screw, and spring	2, 3, 4, 5, 6, 7

VR4000-Series 4" Vapor Hose Valves

Bill of Materials

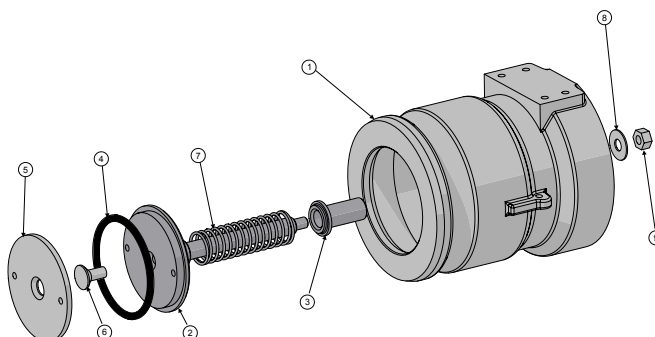
Item #	Description	Part #	Qty
1	body	---	1
2	valve	VR4000-2	1
3	valve standoff	VR4000-3	1
4	valve O-ring	O-RING-AS339-V	1
5	spring	SPRG/L4432	1
6	bushing	VR6000-3	1
7	sight glass	VR4000-4	2
8	sight glass O-ring	O-RING#132	2
9	retaining ring	RING-VH-225	2
10	plug	110748	1
11	valve plate	VR4000-5	1
12	valve plate screws	SC1024375-SS	2
13	washer	112270	1
14	hex cap screw	112269	1



VR4100-Series 4" Vapor Hose Valves

Bill of Materials

Item #	Description	Part #	Qty
1	body	---	1
2	valve	341827	1
3	bushing	VR6000-3	1
4	FKM O-ring	O-RING-AS-334	1
5	valve plate	VR4100-3	1
6	screw	SC5-16NCX.75FSS	1
7	valve spring	SPRING-L5123	1
8	washer	112270	1
9	nut	112271	1

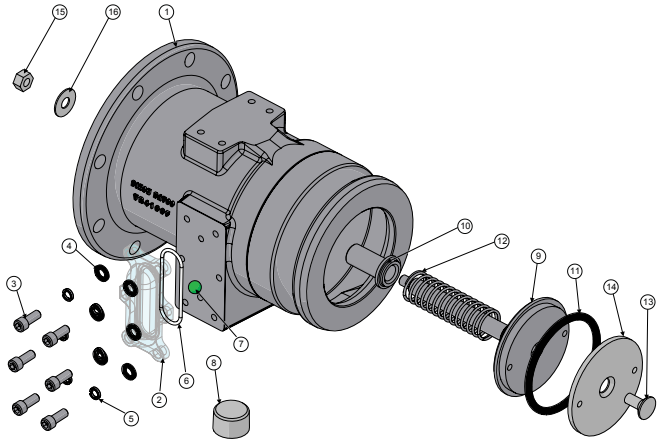


Repair Kit

Part #	Description	Includes Item #
VR4100RK1	valve, bushing, O-ring, valve plate, screw, and spring	2, 3, 4, 5, 6, 7

Product instruction sheets and technical data can be viewed on our website at canada.dixonvalve.com

VR4100F-Series Vapor Hose Valves



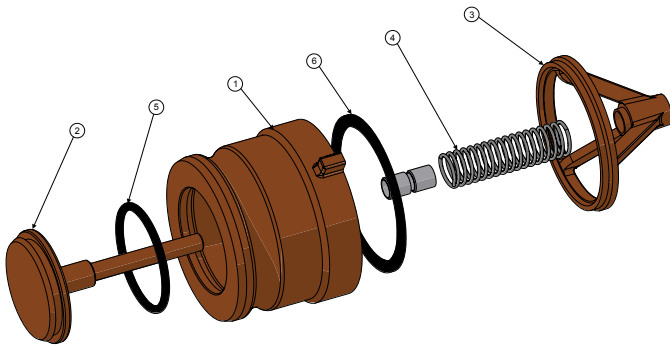
Repair Kits

Part #	Description	Includes Item #
5204K8	sight glass, O-ring, float ball	2, 6, 7
5204K12	hex bolts (6), lock washers (6), washers (4) kit	3, 4, 5

Bill of Materials

Item #	Description	Part #	Qty
1	body	---	1
2	sight glass	111575	1
3	sight glass bolts	111570	6
4	sight glass washer	111562	4
5	sight glass lock washer	111569	6
6	sight glass O-ring	111733	1
7	sight glass float ball	111572	1
8	3/4" body plug	112044	1
9	valve	341827	1
10	bushing	VR6000-3	1
11	FKM valve O-ring	O-RING-AS-334	1
12	valve spring	SPRING-L5123	1
13	screw	SC5-16NCX.75FSS	1
14	valve plate	VR4100-3	1
15	washer	112271	1
16	nut	112270	1

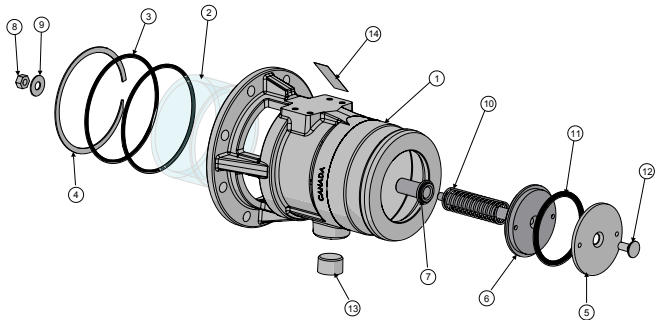
VR4086-Series Vapor Adapters



Bill of Materials

Item #	Description	Part #	Qty
1	body	---	1
2	valve	340331	1
3	valve spider	340304	1
4	spring	110892	1
5	FKM O-ring	O-RING-AS-334	1
6	body gasket	G4000AS	1

VR4100F-SFI-Series Vapor Hose Couplers



Bill of Materials

Item #	Description	Part #	Qty
1	body	341832	1
2	sight glass	391855	1
3	O-ring	112280	2
4	retaining ring	112281	1
5	plate	390663	1
6	valve	341827	1
7	bushing	390146	1
8	nut	112271	1
9	washer	112270	1
10	spring	111197	1
11	O-ring FKM	110691	1
12	screw	110842	1
13	plug	112044	1
14	warning label	112205	1

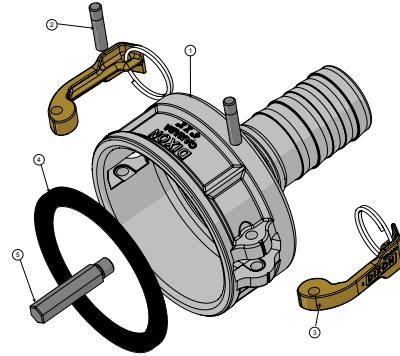
Part #	Description	Includes Item #
VR4100F-SFI	vapor return valve TTMA flange with in-line sight glass	2, 3, 4

Product instruction sheets and technical data can be viewed on our website at canada.dixonvalve.com

4020-CVR-AL Vapor Hose Couplers

Bill of Materials

Item #	Description	Part #	Qty
1	body	---	1
2	pin	325-P	2
3	cam arm with ring	300-HR-BR	2
4	gasket 4"	400-G-BU	1
5	probe	VR6000-7	1

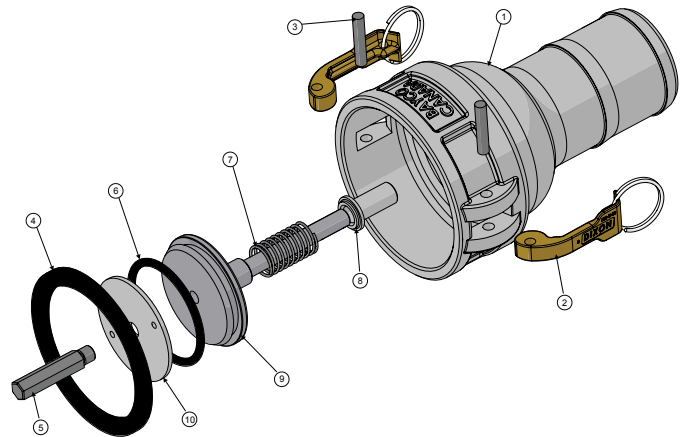


VR4030CS-AL Vapor Hose Couplers

4" x 3" with poppet

Bill of Materials

Item #	Description	Part #	Qty
1	body	---	1
2	cam arm and ring	300-HRP-BR	2
3	cam pin	300-HRP-BR	2
4	NBR coupler gasket	400-G-BU	1
5	probe	VR6000-7	1
6	FKM valve O-ring	O-RING-AS-334	1
7	spring	SPRG/L4238	1
8	bushing	VR6000-3	1
9	valve	VR4030CS-1	1
10	valve plate	VR4030CS-4	1



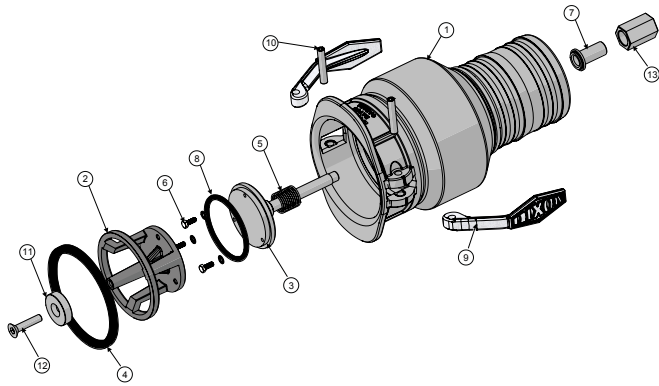
Repair Kit

Part #	Description	Includes Item #
VAC4030RK	replacement cam arms, rings, pins, coupler gasket, and valve O-ring	2, 3, 4, 6

Product instruction sheets and technical data can be viewed on our website at canada.dixonvalve.com

**VR4040CS-AL and VR4040CS-4MNPT
Vapor Hose Couplers**

Bill of Materials



Item #	Description	Part #	Qty	
			AL	MNPT
1	body	341818	1	---
		341870	---	1
2	cage	341819	1	1
3	poppet	341820	1	1
4	NBR gasket	112262	1	1
5	spring	112263	1	1
6	machine screw with washer	112506/112507	3	3
7	bushing	390146	1	1
8	O-ring FKM	110691	1	1
9	paddle arm	40215SS	2	2
10	cam arm pin	40218SS	2	2
11	button	391860	1	1
12	poppet stop	391868	1	1
13	screw	112416	1	1
14	lock washer	111706	3	3

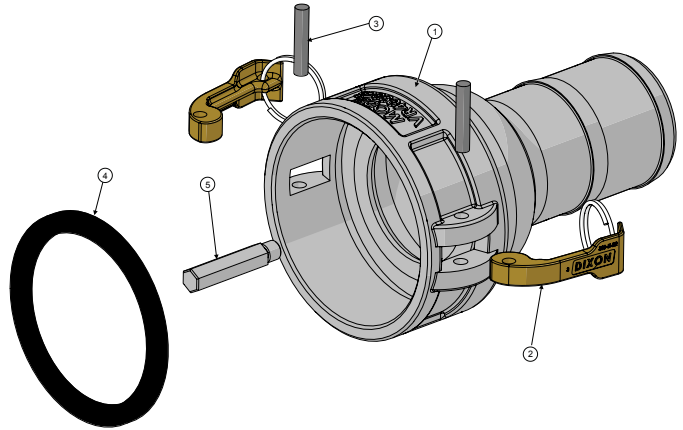
Repair Kits

Part #	Description	Includes Item #
VR4040CSRK1	seal repair kit	4, 6, 8
VR4040CSRK2	cam arm repair kit	9, 10
VR4040CSRK3	internal repair kit	2, 3, 5, 6, 7, 8, 11, 12, 13
VR4040CSB	vapor coupler body complete kit	
VR4030-AL45	3" x 45° hose shank kit	
VR4040-AL45	4" x 45° hose shank kit	
VR4040-ALS45	4" x 45° hose shank kit with swivel	

VR4030CS-NP Vapor Hose Couplers 4" x 3" without Poppet

Bill of Materials

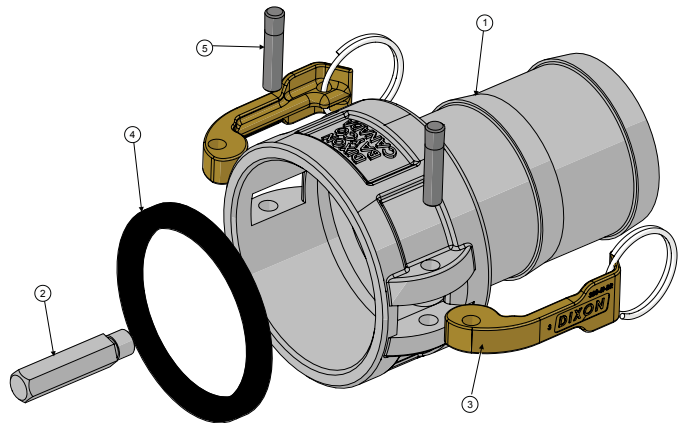
Item #	Description	Part #	Qty
1	body	---	1
2	cam arm and ring	300-HRP-BR	2
3	cam arm pin	300-HRP-BR	2
4	NBR coupler gasket	400-G-BU	1
5	probe	VR4030CS-3	1



VRC3000AL Vapor Hose Couplers 3" x 3"

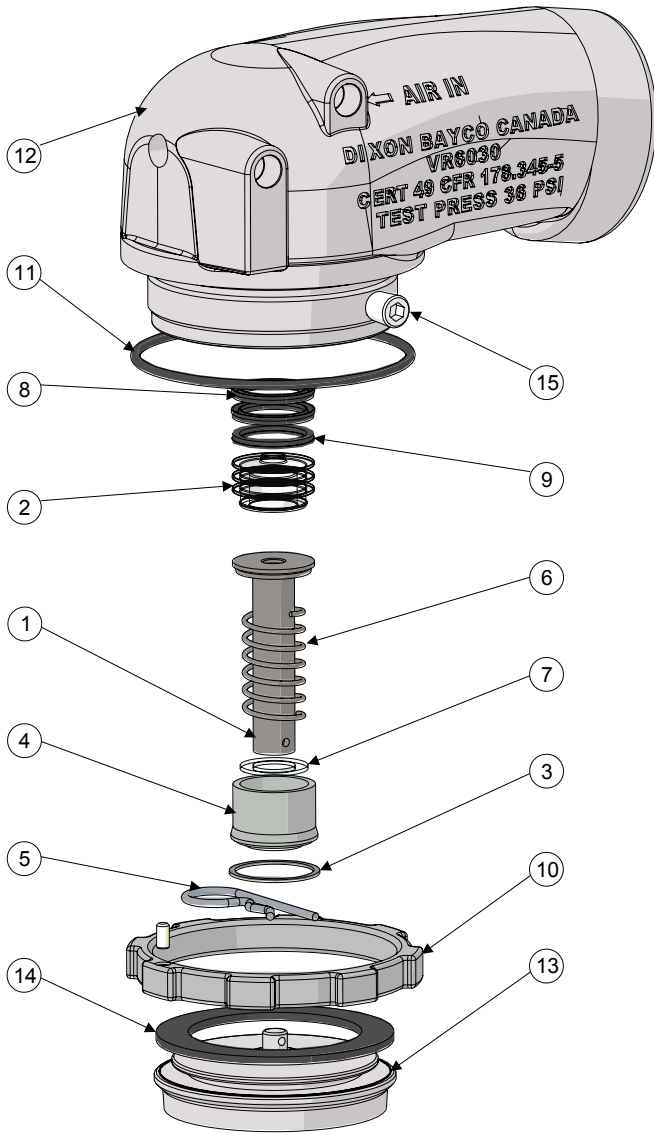
Bill of Materials

Item #	Description	Part #	Qty
1	body	---	1
2	probe	L4217	1
3	cam arm and ring	300-HRP-BR	2
4	NBR coupler gasket	300-G-BU	1
5	cam arm pin	300-HRP-BR	2



VR6030SQ-Series Sequential Vapor Vents

Bill of Materials



Item #	Description	Part #	Qty
1	stem	400636	1
2	piston	use kit VR6030RK2	1
3	retaining ring	111681	1
4	bearing	390822	1
5	hitch pin	111680	1
6	spring	111679	1
7	bearing seal washer	111683	1
8	top lip seal	111686	2
9	bottom lip seal	111687	1
10A	mounting ring	390826	1
10B	mounting ring set screw	111693	1
11	O-ring	111692	1
12	body	---	1
13	poppet	341643	1
14A	Baylast™ poppet gasket	VR6030RK3	1
14B	FKM poppet gasket	VR6030RKV3	1
15	pipe plug	111694	1

Repair Kits

Part #	Description	Includes Item #
VR6030RK1	seal kit with Baylast poppet seal	2, 3, 5, 8, 9, 11, 14A
VR6030RKV1	seal kit with FKM poppet seal	2, 3, 5, 8, 9, 11, 14B
VR6030RK2	piston assembly	2, 8, 9
VR6030RK3	Baylast poppet gasket	14
VR6030RKV3	FKM poppet gasket	14

Product instruction sheets and technical data can be viewed on our website at canada.dixonvalve.com

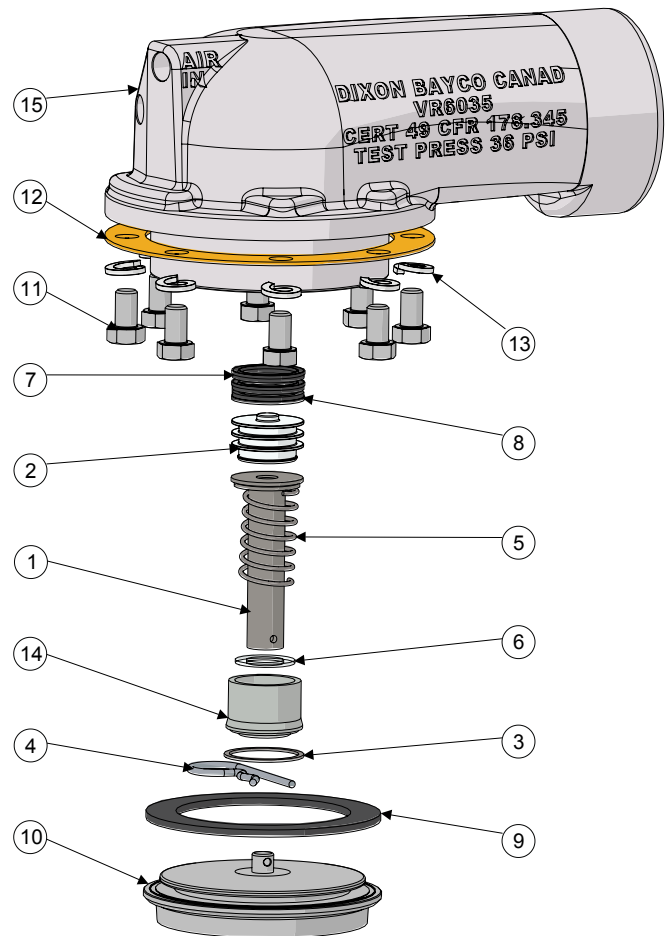
VR6035SQ-Series Sequential Vapor Vents

Bill of Materials

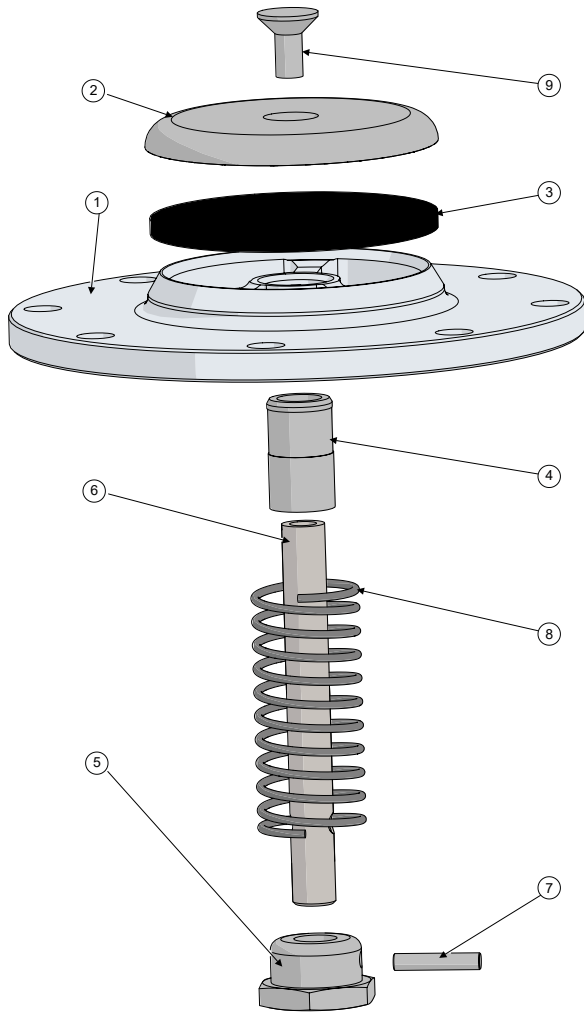
Item #	Description	Part #	Qty
1	stem assembly	400636	1
2	piston	use kit VR6030RK2	1
3	retaining ring	111681	1
4	cotter pin	111680	1
5	spring	111679	1
6	bearing seal washer	111683	1
7	lip seal	111686	2
8	lip seal	111687	1
9A	Baylast™ poppet gasket	use kit VR6035RK3	1
9B	FKM poppet gasket	use kit VR6035RKV3	1
10	poppet	341641	1
11	hex bolt	use kit VR6035RK4	8
12	body gasket	111689	1
13	lock washer	use kit VR6035RK4	8
14	stem bearing	390822	1
15	body	---	1

Repair Kits

Part #	Description	Includes Item #
VR6035RK1	seal kit with Baylast poppet seal	2, 3, 4, 7, 8, 9A, 12
VR6035RKV1	seal kit with FKM poppet seal	2, 3, 4, 7, 8, 9B, 12
VR6035RK2	piston assembly	2, 7, 8
VR6035RK3	Baylast poppet gasket	9A
VR6035RKV3	FKM poppet gasket	9B
VR6035RK4	(8) bolts and lock washers	11, 13



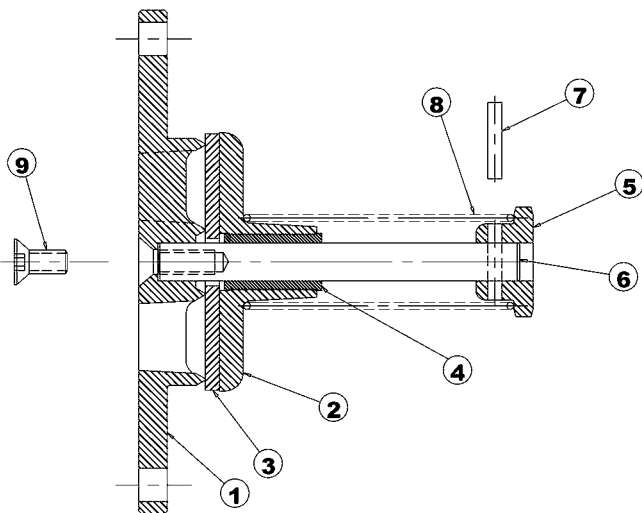
VRP3500 and VRP3600-Series Outbreathing Vents



Bill of Materials

Item #	Description	Part #	Qty
1	body	---	1
2	gasket base	VRP3500-2	1
3	gasket	VRV3501-3	1
4	bushing	VRP3500-4	1
5	spring retainer	VRV3501-5	1
6A	shaft for VRP3500	VRP3501-6	1
6B	shaft for VRP3600	390552	1
7	shaft pin	110717	1
8	spring	SPRG-L4506	1
9	screw	SC5-16NCX.75FSS	1

VRV3501-Series Inbreathing Vents



Bill of Materials

Item #	Description	Part #	Qty
1	body	---	1
2	gasket base	VRV3501-2	1
3	gasket	VRV3501-3	1
4	bushing	VRV3501-4	1
5	spring retainer	VRV3501-5	1
6	shaft	VRV3501-6	1
7	pin	110717	1
8	spring	SPRG-L4506	1
9	screw	SC5-16NCX.75FSS	1

Product instruction sheets and technical data can be viewed on our website at canada.dixonvalve.com

TDF-Series Tube Doors

Repair Kits

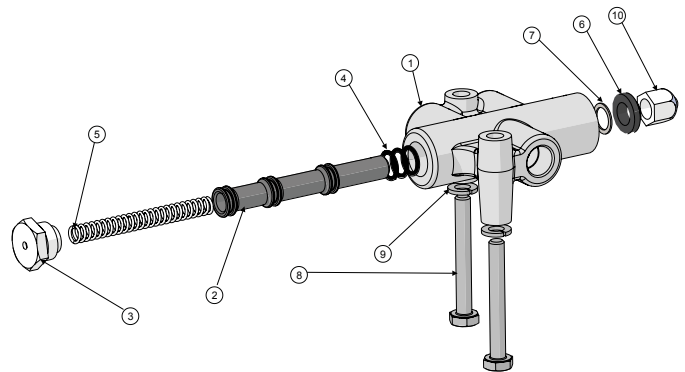
Part #	Description
TDF68RK	6" and 8" repair kit, includes stainless steel spring, bushings, and pin
TDF7RK	7" repair kit, includes stainless steel spring, bushings, pin, and washer
SPRG-A4630	stainless steel spring only



5000AIR-Series Roller Ball End Air Interlock Valves

Bill of Materials

Item #	Description	Part #	Qty
1	body	---	1
2	piston	use kit 5000AIRSK	1
3	end plug	use kit 5000AIRSK	1
4	NBR O-ring	use kit 5000AIRSK	3
5	spring	use kit 5000AIRSK	1
6	urethane wiper	use kit 5000AIRSK	1
7	retaining ring	110755	1
8	mounting bolts	use kit 5000AIHK	2
9	lock washer	use kit 5000AIHK	2
10	roller ball assembly	5000AIRRK1	1



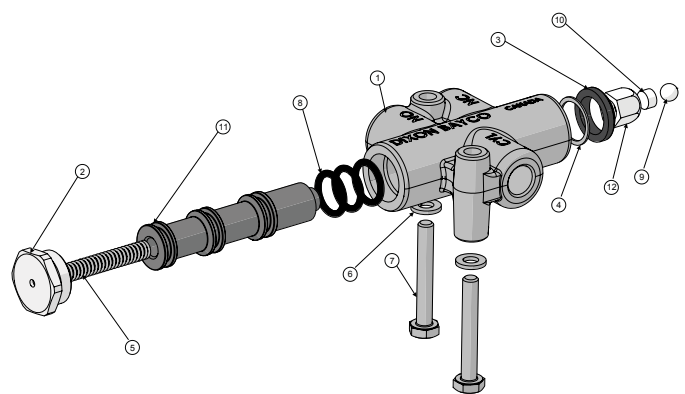
Repair Kits

Part #	Description	Includes Item #
5000AIHK	mounting bolts and lock washers	8, 9
5000AIRSK	piston and seal kit	2, 3, 4, 5, 6
5000AIRRK1	roller ball	10

5000AIRHD-Series Heavy Duty Roller Ball End Air Interlock Valves

Bill of Materials

Item #	Description	Part #	Qty
1	body	---	1
2	end plug	391848	1
3	wiper	112260	1
4	retaining ring	112261	1
5	spring	110897	1
6	lock washer	110928	2
7	mounting bolts	111196	2
8	O-ring	111SS3	3
9	ball	100202	1
10	bearing	390104	1
11	piston	391858	1
12	roller head cap	390105	1



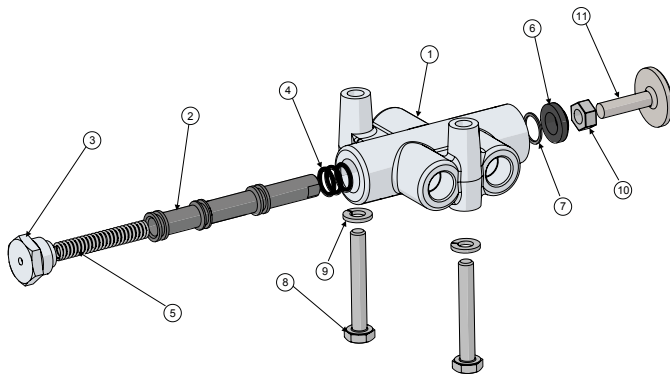
Repair Kits

Part #	Description	Includes Item #
5000AIHK	mounting bolts and lock washers	6, 7
5000AIRHDSK	piston and seal kit	2, 3, 5, 8, 11
5000AIRRK1	roller ball	9

Product instruction sheets and technical data can be viewed on our website at canada.dixonvalve.com

5000AI-Series Button Plunger End Air Interlock Valves

5000AI, 5000AIS and AIST



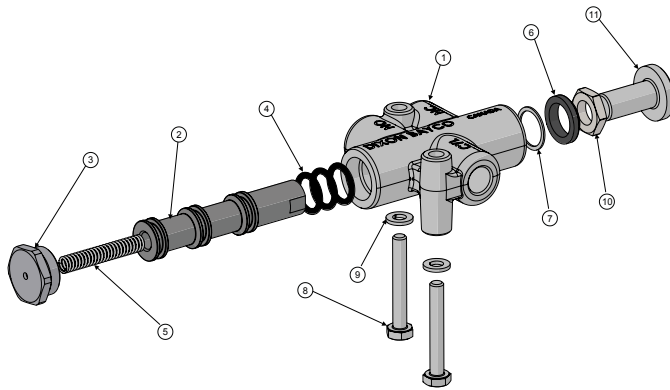
Repair Kits

Part #	Description	Includes Item #
5000AIHK	mounting bolt, lock washer	8, 9
5000AISK	piston, end plug, spring, O-ring, rod wiper	2, 3A, 4, 5, 6
5000AIRK1	plunger end, nut	10, 11A
5000ST	1-1/2" plunger button and nut	10, 11B
5000S	electronic switch attachment kit	3B
5000AISK1	seal kit O-ring wiper only	4, 6
5000AIRK2	plunger button extension and sleeve kit	---
112024	NBR O-ring	4

Bill of Materials

Item #	Description	Part #	Qty
1	body	---	1
2	piston	use kit 5000AISK	1
3A	end plug (5000AI, 5000AIST)	use kit 5000AISK	1
3B	electronic switch kit (not illustrated, for 5000AIS)	5000S	1
4	NBR O-ring	use kit 5000AISK	3
5	spring	use kit 5000AISK	1
6	urethane wiper	use kit 5000AISK	1
7	retaining ring	RING-WH-50	1
8	mounting bolt	use kit 5000AIHK	2
9	lock washer	use kit 5000AIHK	2
10	plunger nut	NUT.25HX-SS	1
11A	1" SS plunger button (5000AI)	use kit 5000AIRK1	1
11B	1-1/2" SS plunger button (5000AIST)	use kit 5000ST	1

5000AIHD-Series Heavy Duty Air Interlock Valve



Repair Kits

Part #	Description	Includes Item #
5000AIHK	mounting bolts and lock washers	8, 9
5000AIHDSK	piston and seal kit	2, 3, 4, 5, 6
5000AIHDSK1	seal kit O-ring and wiper only	4, 6
5000AIHDRK1	1" plunger assembly	10, 11A
5000STHD	1-1/2" plunger assembly	10, 11B
111553	O-ring	4

Bill of Materials

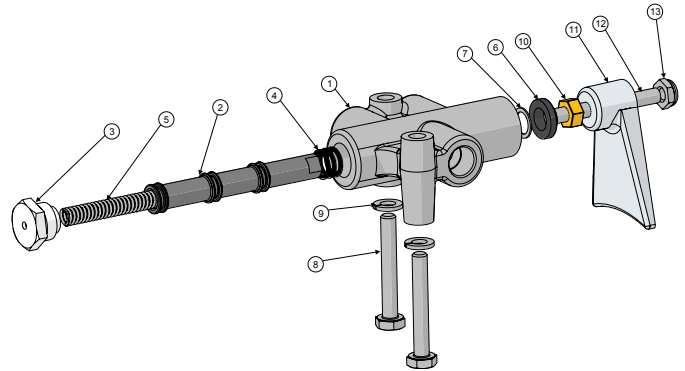
Item #	Description	Part #	Qty
1	body	---	1
2	piston	use kit 5000AIHDSK	1
3	end plug	use kit 5000AIHDSK	1
4	O-ring	use kit 5000AIHDSK	3
5	spring	use kit 5000AIHDSK	1
6	wiper	use kit 5000AIHDSK	1
7	retaining ring	112251	1
8	mounting bolts	use kit 5000AIHK	2
9	lock washer	use kit 5000AIHK	2
10	nut	390909	1
11A	1" plunger end	use kit 5000AIHDRK1	1
11B	1-1/2" plunger end	use kit 5000STHD	1

Product instruction sheets and technical data can be viewed on our website at canada.dixonvalve.com

5000AIV-Series Paddle End Air Interlock Valves

Bill of Materials

Item #	Description	Part #	Qty
1	body	---	1
2	piston	use kit 5000AISK	1
3	end plug	use kit 5000AISK	1
4	NBR O-ring	use kit 5000AISK	3
5	spring	use kit 5000AISK	1
6	urethane wiper	use kit 5000AISK	1
7	retaining ring	110755	1
8	mounting bolt	use kit 5000AIHK	2
9	lock washer	use kit 5000AIHK	2
10	paddle nut	NUT.25HX-SS	1
11	paddle plunger	5000AI-2	1
12	paddle plunger stud	5000AI-5	1
13	paddle plunger lock nut	112370	1



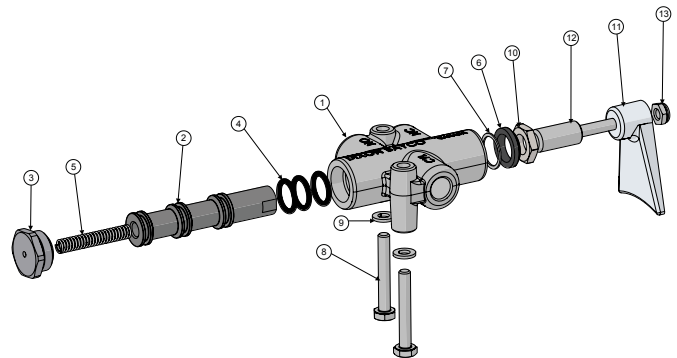
Repair Kits

Part #	Description	Includes Item #
5000AIHK	mounting bolt, lock washer	8, 9
5000AISK	piston, end plug, spring, O-ring, rod wiper	2, 3, 4, 5, 6

5000AIVHD-Series Heavy Duty Paddle End Air Interlock Valves

Bill of Materials

Item #	Description	Part #	Qty
1	body	---	1
2	piston	use kit 5000AIHDSK	1
3	end plug	use kit 5000AIHDSK	1
4	O-ring	use kit 5000AIHDSK	1
5	spring	use kit 5000AIHDSK	1
6	wiper	use kit 5000AIHDSK	1
7	retaining ring	WH-77	1
8	mounting bolts	use kit 5000AIHK	2
9	lock washer	use kit 5000AIHK	2
10	nut	390909	3
11	paddle end	341142	1
12	stud	390910	1
13	lock nut	112370	1



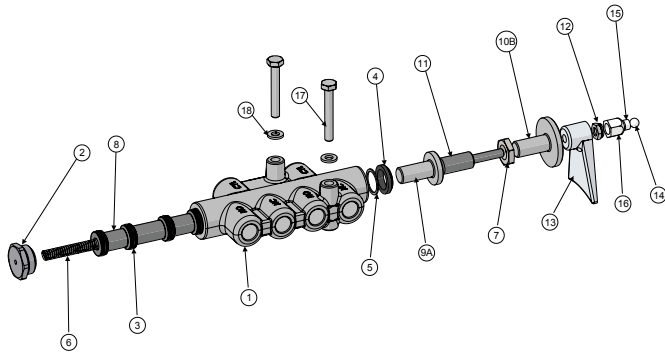
Repair Kits

Part #	Description	Includes Item #
5000AIHK	mounting bolt, lock washer	8, 9
5000AIHDSK	piston and seal kit	2, 3, 4, 5, 6

Product instruction sheets and technical data can be viewed on our website at canada.dixonvalve.com

5006AIHD-Series Heavy Duty Air Interlock Valves

Bill of Materials

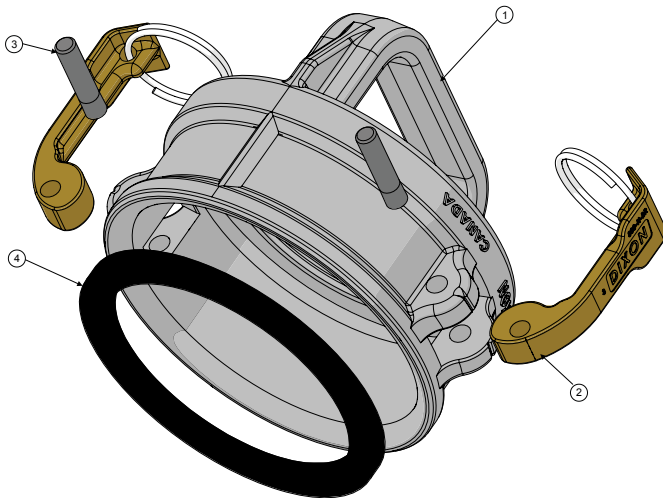


Repair Kits

Part #	Description	Includes Item #
5006AIHDSK	piston and seal kit for 5006AIHD and 5006AIVHD	2, 3, 4, 6, 8A
5006AIRHDSK	piston and seal kit for 5006AIRHD	2, 3, 4, 6, 8B

Item #	Description	5006AIHD	5006AISTHD	5006AIVHD	5006AIRHD
1	body	1	1	1	1
2	end plug	1	1	1	1
3	O-ring	5	5	5	5
4	wiper	1	1	1	1
5	retaining ring	1	1	1	1
6	spring	1	1	1	1
7	hex jam nut	1	1	1	1
8A	piston	1	1	1	---
8B	piston for air	---	---	---	1
9A	1" plunger end	1	---	---	---
10B	1-1/2" plunger end	---	1	---	---
11	paddle plunger stud	---	---	1	---
12	nylon locknut	---	---	1	---
13	paddle plunger	---	---	1	---
14	ball	---	---	---	1
15	bearing	---	---	---	1
16	roller head cap	---	---	---	1
17	mounting bolt	2	2	2	2
18	lock washer	2	2	2	2

400-DC-ALPH Dust Caps with Handle

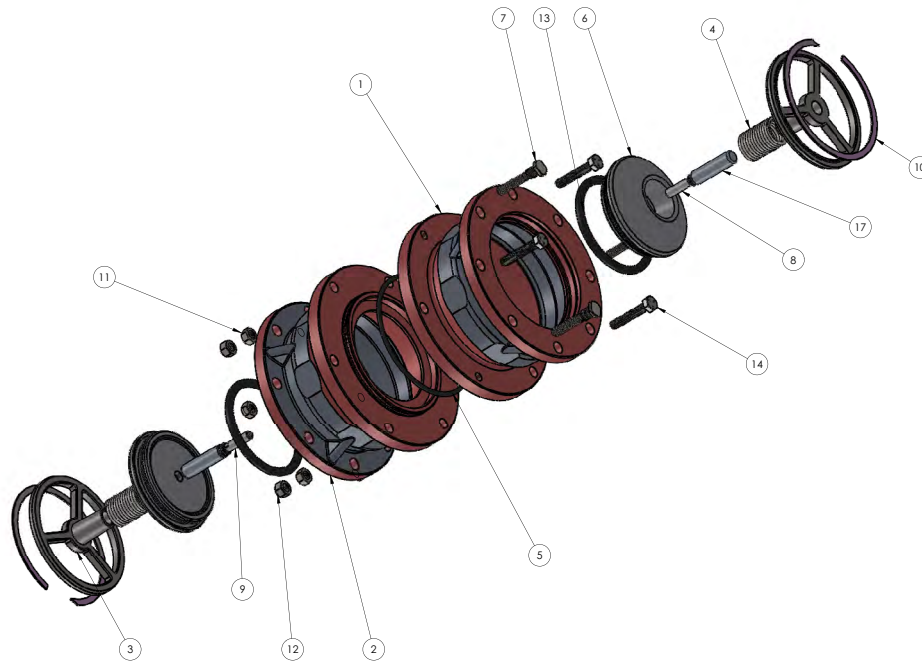


Bill of Materials

Item #	Description	Part #	Qty
1	dust cap with handle	400-DC-ALPH	1
2	cam arm with ring	300-HR-BR	2
3	pin	325-P	2
4	4" gasket	400-G-BU	1

Product instruction sheets and technical data can be viewed on our website at canada.dixonvalve.com

5900-Series Safety Breakaway Couplings



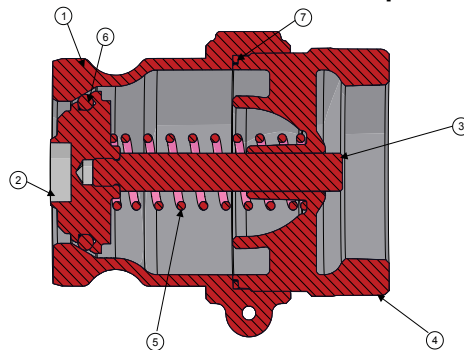
Repair Kits

Part #	Description	Includes Item #
5900-KIT-4BN	Baylast™ seal kit for 4" 5900 breakaway	5A, 13A
5900-KIT-4TV	PTFE/FKM seal kit for 4" 5900 breakaway	5B, 13B
5900-KIT-4VG	FKM-GLFT seal kit for 4" 5900 breakaway	5C, 13C
5900-KIT-B4A	repl break bolts for 5900-Series breakaway	7, 11, 12

Bill of Materials

Item #	Description	Part #	Qty
1	groove coupler	40647XX-02	1
2	flange coupler	40647XX-01	1
3	spider	40625SS	2
4	spring	40629SS	2
5A	Baylast O-ring	40634BN	1
5B	PTFE/FKM O-ring	40634TV	1
5C	FKM-GFLT O-ring	40634VG	1
6	poppet	40648XX	2
7	break bolt	40636SS	3
8	poppet spacer	40632SS	1
9	poppet spacer	40631SS	1
10	snap ring	40628ST	2
11	5/16"-18 nut	40638SS	6
12	5/16"-18 nylock nut	40639SS	3
13A	Baylast O-ring	40633BN	2
13B	PTFE/FKM O-ring	40633TV	2
13C	FKM-GFLT O-ring	40633VG	2
14	5/16"-18 X 1.75" HHCS	40637ST	3
15	drive screw	30702SS	2
16	name plate	40635SS	1
17	poppet stem	40678AL	2

DBA Cam & Groove Dry Disconnects Aluminum and Stainless Adapters



Bill of Materials

1-1/2" Aluminum Adapter (DBA6x), Zinc Adapter (DBA1x) DBA1x-150, DBA6x-150, and DBA1x-1520

Item #	Description	Part #	Qty
1A	aluminum adapter body (DBA6x-150)	40129AL	1
1B	zinc adapter body (DBA1x-150 and DBA1x-1520)	40129ZA	1
2	poppet	40130AL	1
3A	stem (DBA1x-150 and DBA1x-1520)	40133BR	1
3B	stem (for DBA6x-150)	40133SS-001	1
4A	thread end body	40131AL	1
4B	thread end body (for DBA1x1520)	40303AL	1
5	poppet spring	40132SS	1
6A	poppet O-ring NBR	use kit DBAK1-150	1
6B	poppet O-ring FKM	use kit DBAK2-150	1
6C	poppet O-ring PTFE/silicone	use kit DBAK3-150	1
6D	poppet O-ring EPDM	use kit DBAK4-150	1
6E	poppet O-ring FFKM	use kit DBAK6-150	1
6F	poppet O-ring PTFE/FKM	use kit DBAK7-150	1
7A	body O-ring PTFE	use kit DBAK1-150	1
7B	body O-ring FKM	use kit DBAK2-150	1
7C	body O-ring PTFE	use kit DBAK3-150, DBAK6-150 or DBAK7-150	1
7D	body O-ring EPDM	use kit DBAK4-150	1

1-1/2" Stainless Adapter DBA7x-150

Item #	Description	Part #	Qty
1	stainless adapter body	40129SS	1
2	poppet	40130SS	1
3	stem	40133SS-002	1
4	thread end body	40131SS	1
5	poppet spring	40132SS	1
6A	poppet O-ring NBR	use kit DBAK1-150	1
6B	poppet O-ring FKM	use kit DBAK2-150	1
6C	poppet O-ring PTFE/silicone	use kit DBAK3-150	1
6D	poppet O-ring EPDM	use kit DBAK4-150	1
6E	poppet O-ring FFKM	use kit DBAK6-150	1
6F	poppet O-ring PTFE/FKM	use kit DBAK7-150	1
7A	body O-ring PTFE	use kit DBAK1-150	1
7B	body O-ring FKM	use kit DBAK2-150	1
7C	body O-ring PTFE	use kit DBAK3-150, DBAK6-150 or DBAK7-150	1
7D	body O-ring EPDM	use kit DBAK4-150	1

DBA Cam & Groove Dry Disconnects

Aluminum and Stainless Adapters

Bill of Materials

2" Aluminum Adapter (DBA6x), Zinc Adapter (DBA1x) DBA1x-200, DBA6x-200

2" Stainless Adapter DBA7x-200

Item #	Description	Part #	Qty
1A	aluminum adapter body (DBA6x-200)	40001AL	1
1B	zinc adapter body (DBA1x-200)	40001ZA	1
2	poppet	40002AL	1
3A	stem (for DBA1x-200)	40005BR	1
3B	stem (for DBA6x-200)	40005SS-001	1
4	thread end body	40003AL	1
5	poppet spring	40004SS	1
6A	poppet O-ring NBR	use kit DBAK1-200	1
6B	poppet O-ring FKM	use kit DBAK2-200	1
6C	poppet O-ring PTFE/silicone	use kit DBAK3-200	1
6D	poppet O-ring EPDM	use kit DBAK4-200	1
6E	poppet O-ring FFKM	use kit DBAK6-200	1
6F	poppet O-ring PTFE/FKM	use kit DBAK7-200	1
7A	body O-ring PTFE	use kit DBAK1-200	1
7B	body O-ring FKM	use kit DBAK2-200	1
7C	body O-ring PTFE	use kit DBAK3-200, DBAK6-200 or DBAK7-200	1
7D	body O-ring EPDM	use kit DBAK4-200	1

Item #	Description	Part #	Qty
1	stainless adapter body	40001SS	1
2	poppet	40002SS	1
3	stem	40005SS-002	1
4	thread end body	40003SS	1
5	poppet spring	40004SS	1
6A	poppet O-ring NBR	use kit DBAK1-200	1
6B	poppet O-ring FKM	use kit DBAK2-200	1
6C	poppet O-ring PTFE/silicone	use kit DBAK3-200	1
6D	poppet O-ring EPDM	use kit DBAK4-200	1
6E	poppet O-ring FFKM	use kit DBAK6-200	1
6F	poppet O-ring PTFE/FKM	use kit DBAK7-200	1
7A	body O-ring PTFE	use kit DBAK1-200	1
7B	body O-ring FKM	use kit DBAK2-200	1
7C	body O-ring PTFE	use kit DBAK3-200, DBAK6-200 or DBAK7-200	1
7D	body O-ring EPDM	use kit DBAK4-200	1

Product instruction sheets and technical data can be viewed on our website at canada.dixonvalve.com

DBA Cam & Groove Dry Disconnects

Aluminum and Stainless Adapters

Bill of Materials

**3" Aluminum Adapter (DBA6x), Zinc Adapter (DBA1x)
DBA1x-300, DBA6x-300**

**3" Stainless Adapter
DBA7x-300**

Item #	Description	Part #	Qty
1	aluminum adapter body	40180AL	1
1B	zinc adapter body	40180ZA	1
2	poppet	40182AL	1
3	stem	40183BR	1
4	thread end body	40181AL	1
5	poppet spring	40184SS	1
6A	poppet O-ring NBR	use kit DBAK1-300	1
6B	poppet O-ring FKM	use kit DBAK2-300	1
6C	poppet O-ring PTFE/silicone	use kit DBAK3-300	1
6D	poppet O-ring EPDM	use kit DBAK4-300	1
6E	poppet O-ring FFKM	use kit DBAK6-300	1
6F	poppet O-ring PTFE/FKM	use kit DBAK7-300	1
6G	poppet O-ring FKM-B	use kit DBAK9-300	1
7A	body O-ring PTFE	use kit DBAK1-300	1
7B	body O-ring FKM	use kit DBAK2-300	1
7C	body O-ring PTFE	use kit DBAK3-300, DBAK6-300 or DBAK7-300	1
7D	body O-ring EPDM	use kit DBAK4-300	1
7E	body O-ring FKM-B	use kit DBAK9-300	1

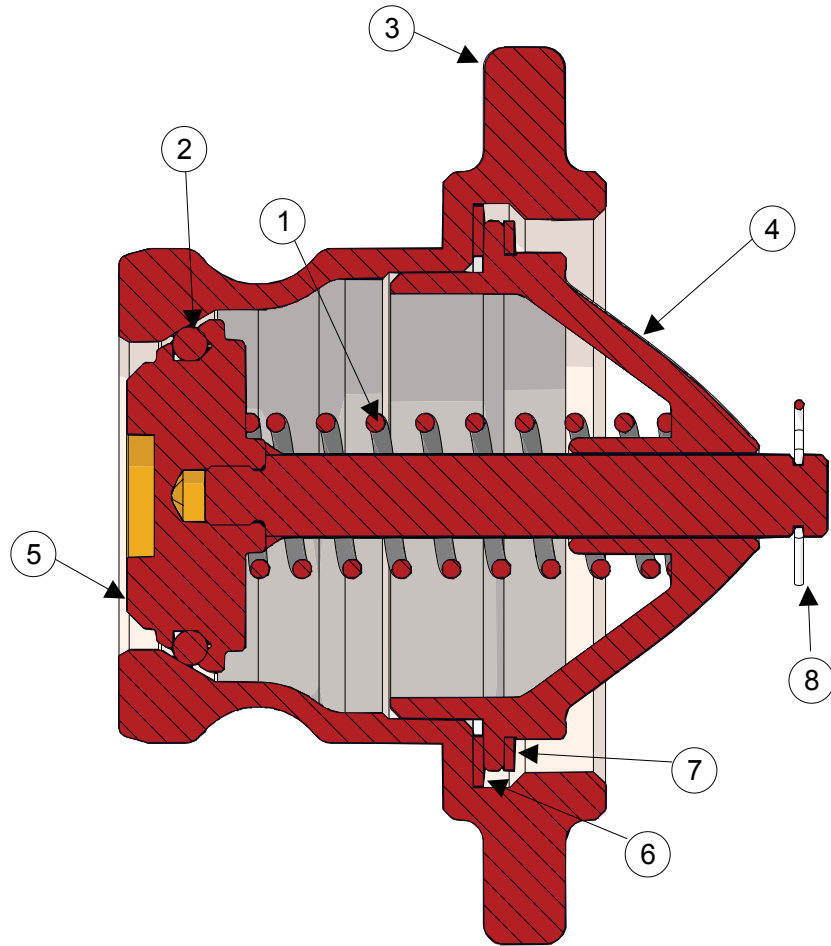
Item #	Description	Part #	Qty
1	stainless adapter body	40180SS	1
2	poppet	40182SS	1
3	stem	40183SS	1
4	thread end body	40181SS	1
5	poppet spring	40184SS	1
6A	poppet O-ring NBR	use kit DBAK1-300	1
6B	poppet O-ring FKM	use kit DBAK2-300	1
6C	poppet O-ring PTFE/silicone	use kit DBAK3-300	1
6D	poppet O-ring EPDM	use kit DBAK4-300	1
6E	poppet O-ring FFKM	use kit DBAK6-300	1
6F	poppet O-ring PTFE/FKM	use kit DBAK7-300	1
6G	poppet O-ring FKM-B	use kit DBAK9-300	1
7A	body O-ring PTFE	use kit DBAK1-300	1
7B	body O-ring FKM	use kit DBAK2-300	1
7C	body O-ring PTFE	use kit DBAK3-300	1
7D	body O-ring EPDM	use kit DBAK4-300	1
7E	body O-ring FKM-B	use kit DBAK9-300	1

Repair Kits

Part #	Description	Includes Item #
DBAK1-150	1-1/2" NBR seals	6A, 7A
DBAK2-150	1-1/2" FKM seals	6B, 7B
DBAK3-150	1-1/2" PTFE/silicone seals	6C, 7C
DBAK4-150	1-1/2" EPDM seals	6D, 7D
DBAK6-150	1-1/2" PTFE/FFKM seals	6E, 7C
DBAK7-150	1-1/2" PTFE/FKM seals	6F, 7C
DBAK1-200	2" NBR seals	6A, 7A
DBAK2-200	2" FKM seals	6B, 7B
DBAK3-200	2" PTFE/silicone seals	6C, 7C
DBAK4-200	2" EPDM seals	6D, 7D
DBAK6-200	2" PTFE/FFKM seals	6E, 7C
DBAK7-200	2" PTFE/FKM seals	6F, 7C
DBAK1-300	3" PTFE seals	6A, 7A
DBAK2-300	3" FKM seals	6B, 7B
DBAK3-300	3" PTFE/silicone seals	6C, 7C
DBAK4-300	3" EPDM seals	6D, 7D
DBAK6-300	3" PTFE/FFKM seals	6E, 7C
DBAK7-300	3" PTFE/FKM seals	6F, 7C
DBAK9-300	3" FKM-B seals	6G, 7E

Product instruction sheets and technical data can be viewed on our website at canada.dixonvalve.com

DBVA Cam & Groove Dry Disconnects Stainless Vapor Adapter

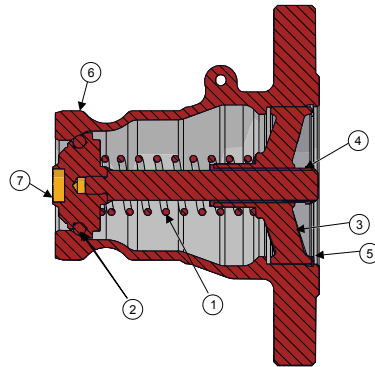


**2" x 3" Stainless Vapor Adapter
Bill of Materials DBAV73-200**

Item #	Description	Part #	Qty
1	spring	40004SS	1
2	poppet O-ring PTFE/silicone	40006TS	1
3	adapter body	not available	---
4	bridge	40175SS	1
5	poppet assembly	40187SSSS	1
6	large body gasket	40190TF	1
7	small body gasket	40191TF	1
8	poppet clip	40192SS	1

Product instruction sheets and technical data can be viewed on our website at canada.dixonvalve.com

DBAF Cam & Groove Dry Disconnects
Stainless Flange Adapters



2" Flange x 1-1/2" Stainless Adapter
Bill of Materials DBAF7x-1520

2" Flange x 2" Stainless Adapter
Bill of Materials DBAF7x-200

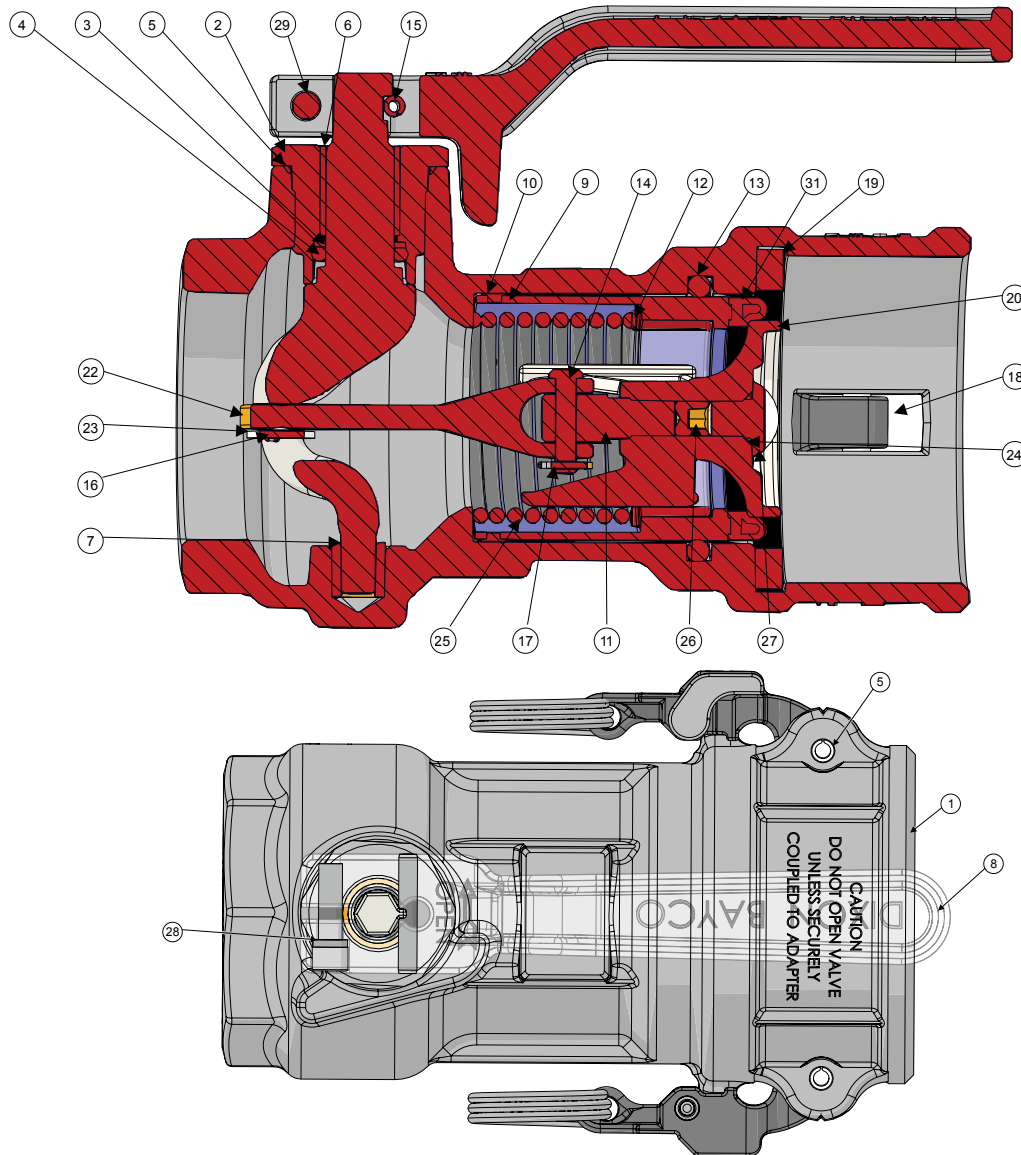
Item #	Description	Part #	Qty
1	spring	40004SS	1
2A	poppet O-ring NBR	40134BN	1
2B	poppet O-ring FKM	40134VI	1
2C	poppet O-ring PTFE/silicone	40134TS	1
2D	poppet O-ring EPDM	40134EP	1
2E	poppet O-ring FFKM	40134KR	1
3	bridge	40341SS	1
4	bearing	40343TF	1
5	retaining ring	40344SS	1
6	body	---	1
7	poppet assembly	40347SSSS	1

Item #	Description	Part #	Qty
1	spring	40004SS	1
2A	poppet O-ring NBR	40006BN	1
2B	poppet O-ring FKM	40006VI	1
2C	poppet O-ring PTFE/silicone	40006TS	1
2D	poppet O-ring EPDM	40006EP	1
2E	poppet O-ring FFKM	40006KR	1
3	bridge	40341SS	1
4	bearing	40343TF	1
5	retaining ring	40344SS	1
6	body	---	1
7	poppet assembly	40342SSSS	1

3" Flange x 3" Stainless Adapter
Bill of Materials DBAF7x-300

Item #	Description	Part #	Qty
1	spring	40184SS	1
2A	poppet O-ring NBR	40185BN	1
2B	poppet O-ring FKM	40185VI	1
2C	poppet O-ring PTFE/silicone	40185TS	1
2D	poppet O-ring EPDM	40185EP	1
2E	poppet O-ring FFKM	40185KR	1
3	bridge	40360SS	1
4	bearing	40362TF	1
5	retaining ring	40361SS	1
6	body	---	1
7	poppet assembly	40359SSSS	1

DBC Cam & Groove Dry Disconnects Aluminum and Stainless Couplers



Bill of materials and repair kits can be found on the following pages

- DBC6x-150 see page 120, 121
- DBC7x-150 see page 122, 123
- DBC6x-200 see page 124, 125
- DBC7x-200 see page 126, 127
- DBC6x-300 see page 129, 130
- DBC7x-300 see page 131, 132
- DBS6x-200 see page 134, 135

Product instruction sheets and technical data can be viewed on our website at canada.dixonvalve.com

DBC Cam & Groove Dry Disconnects

1-1/2" Aluminum Couplers

Bill of Materials

DBC6x-150

Refer to Drawing on Page 119

Item #	Description	Part #	Qty	Item #	Description	Part #	Qty
1	body	---	1	14	link rivet	40086SS	1
2	stuffing box	40074SS	1	15	groove pin	40087SS	1
3	back up ring	40075TF	1	16	crank shaft cotter pin	40088SS	1
4A	crank shaft O-ring NBR (for DBC61-150)	40076BN	1	17	link cotter pin	40088SS	1
4B	crank shaft O-ring FKM (for DBC62-150)	40076VI	1	18	EZ Boss-Lock™ cam arm	40089SS	2
4C	crank shaft O-ring FFKM (for DBC63-150)	40076KR	1	19A	cam gasket NBR (for DBC61-150)	200-G-BU	1
4D	crank shaft O-ring EPDM (for DBC63-150, DBC66-150, and DBC67-150)	40076EP	1	19B	cam gasket FKM (for DBC62-150)	200-G-VI	1
5	stuffing box PTFE O-ring	40077TF	1	19C	cam gasket PTFE/silicone (for DBC63-150)	200-G-TES	1
6	large crank shaft bearing	40078FG	1	19D	cam gasket EPR (for DBC64-150)	200-G-EPR	1
7	small crank shaft bearing	40079SS	1	19E	cam gasket PTFE/FKM (for DBC66-150 and DBC67-150)	200-G-TFVI	1
8	lever (handle)	40080SS	1	20	poppet	40114SS	1
9A	seal cylinder (for DBC61-150)	40117ALBN	1	21	crank shaft	40115SS	1
9B	seal cylinder (for DBC62-150)	40117ALVI	1	22	link arm	40116SS	1
9C	seal cylinder (for DBC63-150, DBC66-150, and DBC67-150)	40169SS	1	23	link washer	40094SS	1
9D	seal cylinder (for DBC64-150)	40117ALEP	1	24	poppet screw PTFE O-ring	40122TF	1
10	PTFE button	40082TF	6	25	cylinder spring	DBCxx-150RK8	1
11	yoke	40118SS	1	26	set screw	40124SS	1
12	PTFE bushing	40119TF	1	27	poppet screw (round head)	40125SS	1
13A	body O-ring NBR (for DBC61-150)	40120BN	1	28	lock washer	40099SS	1
13B	body O-ring FKM (for DBC62-150)	40120VI	1	29	socket head cap screw	40100SS	1
13C	body O-ring PTFE/silicone (for DBC63-150)	40120TS	1	30	cam arm spring pin	40101SS	2
13D	body O-ring EPDM (for DBC64-150)	40120EP	1	31	nose seal (for DBC63-150, DBC66-150, and DBC67-150)	40171TF	1
13E	body O-ring FFKM (for DBC66-150)	40120KR	1				
13F	body O-ring PTFE/FKM (for DBC67-150)	40120TV	1				

Product instruction sheets and technical data can be viewed on our website at canada.dixonvalve.com

DBC Cam & Groove Dry Disconnects
1-1/2" Aluminum Couplers
Repair Kits

Part #	Description	Includes Item #
DBCx1-150RK1 (NBR)	seal kit, NBR crank shaft O-ring, PTFE stuffing box O-ring, NBR body O-ring, NBR cam gasket, PTFE O-ring (for DBC61-150)	4A, 5, 13A, 19A, 24
DBCx2-150RK1 (FKM)	seal kit, FKM crank shaft O-ring, PTFE stuffing box O-ring, FKM body O-ring, FKM cam gasket, PTFE O-ring (for DBC62-150)	4B, 5, 13B, 19B, 24
DBCx3-150RK1 (PTFE and FFKM)	seal kit, FFKM crank shaft O-ring, PTFE stuffing box O-ring, PTFE/silicone body O-ring, PTFE/silicone cam gasket, PTFE O-ring (for DBC63-150)	4C, 5, 13C, 19C, 24
DBCx4-150RK1 (EPDM)	seal kit, EPDM crank shaft O-ring, PTFE stuffing box O-ring, EPDM body O-ring, EPDM cam gasket, PTFE O-ring (for DBC64-150)	4D, 5, 13D, 19D, 24
DBCx6-150RK1 (FFKM and PTFE/FKM)	seal kit, FFKM crank shaft O-ring, PTFE stuffing box O-ring, FFKM body O-ring, PTFE/FKM cam gasket, PTFE O-ring (for DBC66-150)	4C, 5, 13E, 19E, 24
DBCx7-150RK1	seal kit, FFKM crank shaft O-ring, PTFE stuffing box O-ring, PTFE/FKM body O-ring, PTFE/FKM cam gasket, PTFE O-ring (for DBC67-150)	4C, 5, 13F, 19E, 24
DBC61-150RK2	NBR seal cylinder, PTFE buttons, and PTFE bushing (for DBC61-150)	9A, 10, 12
DBC62-150RK2	FKM seal cylinder, PTFE buttons, and PTFE bushing (for DBC62-150)	9B, 10, 12
DBCx3-150RK2	PTFE nose seal , PTFE buttons, and PTFE bushing (for DBC63-150, DBC66-150, and DBC67-150)	10, 12, 31
DBC64-150RK2	EPDM seal cylinder, PTFE buttons, and PTFE bushing (for DBC64-150)	9D, 10, 12
DBCxx-150RK4	link kit, link rivet, cotter pins, link washer, link arm, and yoke (for all 1-1/2" aluminum)	11, 14, 16, 17, 22, 23
DBCxx-150RK5	stuffing box kit, stuffing box, PTFE O-ring, and large crank shaft bearing (for all 1-1/2" aluminum)	2, 5, 6
DBCxx-150RK6	lever (handle) kit, lever, groove pin, lock washer, and socket head cap screw (for all 1-1/2" aluminum)	8, 15, 28, 29
DBCxx-150RK7	crank shaft kit, crank shaft, cotter pin, and washer (for all 1-1/2" aluminum)	16, 21, 23
DBCxx-150RK8	main cylinder spring	25
DBCxx-150RK9	poppet kit, poppet, round head screw, set screw, and PTFE washer (for all 1-1/2"aluminum)	20, 24, 26, 27
DBCL-200	optional add on padlockable lever kit, handle (for all 1-1/2")	not illustrated

Product instruction sheets and technical data can be viewed on our website at canada.dixonvalve.com

DBC Cam & Groove Dry Disconnects

1-1/2" Stainless Couplers

Bill of Materials

DBC7x-150

Refer to Drawing on Page 119

Item #	Description	Part #	Qty	Item #	Description	Part #	Qty
1	body	---	1	14	link rivet	40086SS	1
2	stuffing box	40074SS	1	15	groove pin	40087SS	1
3	back up ring	40075TF	1	16	crank shaft cotter pin	40088SS	1
4A	crank shaft O-ring NBR (for DBC71-150)	40076BN	1	17	link cotter pin	40088SS	1
4B	crank shaft O-ring FKM (for DBC72-150)	40076VI	1	18	EZ Boss-Lock™ cam arm	40089SS	2
4C	crank shaft O-ring FFKM (for DBC73-150, DBC76-150, and DBC77-150)	40076KR	1	19A	cam gasket NBR (for DBC71-150)	200-G-BU	1
4D	crank shaft O-ring EPDM (for DBC74-150)	40076EP	1	19B	cam gasket FKM (for DBC72-150)	200-G-VI	1
5	stuffing box PTFE O-ring	40077TF	1	19C	cam gasket PTFE/silicone (for DBC73-150)	200-G-TES	1
6	large crank shaft bearing	40078FG	1	19D	cam gasket EPDM (for DBC74-150)	200-G-EPR	1
7	small crank shaft bearing	40079SS	1	19E	cam gasket PTFE/FKM (for DBC76-150 and DBC77-150)	200-G-TFVI	1
8	lever (handle)	40080SS	1	20	poppet	40114SS	1
9A	seal cylinder (for DBC71-150)	40117SSBN	1	21	crank shaft	40115SS	1
9B	seal cylinder (for DBC72-150)	40117SSVI	1	22	link arm	40116SS	1
9C	seal cylinder (for DBC73-150, DBC76-150, and DBC77-150)	40169SS	1	23	link washer	40094SS	1
9D	seal cylinder (for DBC74-150)	40117SSEP	1	24	poppet screw PTFE O-ring	40122TF	1
10	PTFE button	40082TF	6	25	cylinder spring	DBCxx-150RK8	1
11	yoke	40118SS	1	26	set screw	40124SS	1
12	PTFE bushing	40119TF	1	27	poppet screw (round head)	40125SS	1
13A	body O-ring NBR (for DBC71-150)	40120BN	1	28	lock washer	40099SS	1
13B	body O-ring FKM (for DBC72-150)	40120VI	1	29	socket head cap screw	40100SS	1
13C	body O-ring PTFE/silicone (for DBC73-150)	40120TS	1	30	cam arm spring pin	40101SS	2
13D	body O-ring EPDM (for DBC74-150)	40120EP	1	31	nose seal (for DBC73-150, DBC76-150, and DBC77-150)	40171TF	1
13E	body O-ring FFKM (for DBC76-150)	40120KR	1				
13F	body O-ring PTFE/FKM (for DBC77-150)	40120TV	1				

Product instruction sheets and technical data can be viewed on our website at canada.dixonvalve.com

DBC Cam & Groove Dry Disconnects
1-1/2" Stainless Couplers
Repair Kits

Part #	Description	Includes Item #
DBCx1-150RK1 (NBR)	seal kit, NBR crank shaft O-ring, PTFE stuffing box O-ring, NBR body O-ring, NBR cam gasket, PTFE O-ring (for DBC71-150)	4A, 5, 13A, 19A, 24
DBCx2-150RK1 (FKM)	seal kit, FKM crank shaft O-ring, PTFE stuffing box O-ring, FKM body O-ring, FKM cam gasket, PTFE O-ring (for DBC72-150)	4B, 5, 13B, 19B, 24
DBCx3-150RK1 (PTFE/silicone and FFKM)	seal kit, FFKM crank shaft O-ring, PTFE stuffing box O-ring, PTFE/silicone body O-ring, PTFE/silicone cam gasket, PTFE O-ring (for DBC73-150)	4C, 5, 13C, 19C, 24
DBCx4-150RK1 (EPDM)	seal kit, EPDM crank shaft O-ring, PTFE stuffing box O-ring, EPDM body O-ring, EPR cam gasket, PTFE O-ring (for DBC74-150)	4D, 5, 13D, 19D, 24
DBCx6-150RK1 (FFKM and PTFE/FKM)	seal kit, FFKM crank shaft O-ring, PTFE stuffing box O-ring, FFKM body O-ring, PTFE/FKM cam gasket, PTFE O-ring (for DBC76-150)	4C, 5, 13E, 19E, 24
DBCx7-150RK1	seal kit, FFKM crank shaft O-ring, PTFE stuffing box O-ring, PTFE/FKM body O-ring, PTFE/FKM cam gasket, PTFE O-ring (for DBC77-150)	4C, 5, 13F, 19E, 24
DBC71-150RK2	NBR seal cylinder, PTFE buttons, and PTFE bushing (for DBC71-150)	9A, 10, 12
DBC72-150RK2	FKM seal cylinder, PTFE buttons, and PTFE bushing (for DBC72-150)	9B, 10, 12
DBCx3-150RK2	PTFE nose seal, PTFE buttons, and PTFE bushing (for DBC73-150, DBC76-150, and DBC77-150)	10, 12, 31
DBC74-150RK2	EPDM seal cylinder, PTFE buttons, and PTFE bushing (for DBC74-150)	9D, 10, 12
DBCxx-150RK4	link kit, link rivet, cotter pins, link washer, link arm, and yoke (for all 1-1/2" stainless steel)	11, 14, 16, 17, 22, 23
DBCxx-150RK5	stuffing box kit, stuffing box, PTFE O-ring, and large crank shaft bearing (for all 1-1/2" stainless steel)	2, 5, 6
DBCxx-150RK6	lever (handle) kit, lever, groove pin, lock washer, and socket head cap screw (for all 1-1/2" stainless steel)	8, 15, 28, 29
DBCxx-150RK7	crank shaft kit, crank shaft, cotter pin, and washer (for all 1-1/2" stainless steel)	16, 21, 23
DBCxx-150RK8	main cylinder spring	25
DBCxx-150RK9	poppet kit, poppet, round head screw, set screw, and PTFE O-ring (for all 1-1/2" stainless steel)	20, 24, 26, 27
DBCL-200	optional add on padlockable lever kit (handle) (for all 1-1/2")	not illustrated

Product instruction sheets and technical data can be viewed on our website at canada.dixonvalve.com

DBC Cam & Groove Dry Disconnects

2" Aluminum Couplers

Bill of Materials

DBC6x-200

Refer to Drawing on Page 119

Item #	Description	Part #	Qty	Item #	Description	Part #	Qty
1	body	---	1	14	link rivet	40086SS	1
2	stuffing box	40074SS	1	15	groove pin	40087SS	1
3	back up ring	40075TF	1	16	crank shaft cotter pin	40088SS	1
4A	crank shaft O-ring NBR (for DBC61-200)	40076BN	1	17	link cotter pin	40088SS	1
4B	crank shaft O-ring FKM (for DBC62-200)	40076VI	1	18	EZ Boss-Lock™ cam arm	40089SS	2
4C	crank shaft O-ring FFKM (for DBC63-200, DBC66-200, and DBC67-200)	40076KR	1	19A	cam gasket NBR (for DBC61-200)	250-G-BU	1
4D	crank shaft O-ring EPDM (for DBC64-200)	40076EP	1	19B	cam gasket FKM (for DBC62-200)	250-G-VI	1
5	stuffing box PTFE O-ring	40077TF	1	19C	cam gasket PTFE/silicone (for DBC63-200)	250-G-TES	1
6	large crank shaft bearing	40078FG	1	19D	cam gasket EPR (for DBC64-200)	250-G-EPR	1
7	small crank shaft bearing	40079SS	1	19E	cam gasket PTFE/FKM (for DBC66-200 and DBC67-200)	250-G-TFVI	1
8	lever (handle)	40080SS	1	20	poppet	40091SS	1
9A	seal cylinder (for DBC61-200)	40081ALBN	1	21	crank shaft	40092SS	1
9B	seal cylinder (for DBC62-200)	40081ALVI	1	22	link arm	40093SS	1
9C	seal cylinder (for DBC63-200, DBC66-200, and DBC67-200)	40168SS	1	23	link washer	40094SS	1
9D	seal cylinder (for DBC64-200)	40081ALEP	1	24	poppet screw PTFE O-ring	40095TF	1
10	PTFE button	40082TF	6	25	cylinder spring	DBCxx-200RK8	1
11	yoke	40083SS	1	26	set screw	40097SS	1
12	PTFE bushing	40084TF	1	27	poppet screw (round head)	40098SS	1
13A	body O-ring NBR (for DBC61-200)	40085BN	1	28	lock washer	40099SS	1
13B	body O-ring FKM (for DBC62-200)	40085VI	1	29	socket head cap screw	40100SS	1
13C	body O-ring PTFE/silicone (for DBC63-200)	40085TS	1	30	cam arm spring pin	40101SS	2
13D	body O-ring EPDM (for DBC64-200)	40085EP	1	31	nose seal (for DBC63-200, DBC66-200, and DBC67-200)	40170TF	1
13E	body O-ring FFKM (for DBC66-200)	40085KR	1				
13F	body O-ring PTFE/FKM (for DBC67-200)	40085TV	1				

Product instruction sheets and technical data can be viewed on our website at canada.dixonvalve.com

DBC Cam & Groove Dry Disconnects

2" Aluminum Couplers

Repair Kits

Part #	Description	Includes Item #
DBCx1-200RK1 (NBR)	seal kit, NBR crank shaft O-ring, PTFE stuffing box O-ring, NBR body O-ring, NBR cam gasket, PTFE O-ring (for DBC61-200)	4A, 5, 13A, 19A, 24
DBCx2-200RK1 (FKM)	seal kit, FKM crank shaft O-ring, PTFE stuffing box O-ring, FKM body O-ring, FKM cam gasket, PTFE O-ring (for DBC62-200)	4B, 5, 13B, 19B, 24
DBCx3-200RK1 (PTFE/silicone and FFKM)	seal kit, FFKM crank shaft O-ring, PTFE stuffing box O-ring, PTFE/silicone body O-ring, PTFE/silicone cam gasket, PTFE O-ring (for DBC63-200)	4C, 5, 13C, 19C, 24
DBCx4-200RK1 (EPDM)	seal kit, EPDM crank shaft O-ring, PTFE stuffing box O-ring, EPDM body O-ring, EPR cam gasket, PTFE O-ring (for DBC64-200)	4D, 5, 13D, 19D, 24
DBCx6-200RK1 (FFKM and PTFE/FKM)	seal kit, FFKM crank shaft O-ring, PTFE stuffing box O-ring, FFKM body O-ring, PTFE/FKM cam gasket, PTFE O-ring (for DBC66-200)	4C, 5, 13E, 19E, 24
DBCx7-200RK1 (FFKM and PTFE/FKM)	seal kit, FFKM crank shaft O-ring, PTFE stuffing box O-ring, PTFE/FKM body O-ring, PTFE/FKM cam gasket, PTFE O-ring (for DBC67-200)	4C, 5, 13F, 19E, 24
DBC61-200RK2	NBR seal cylinder, PTFE buttons, and PTFE bushing (for DBC61-200)	9A, 10, 12
DBC62-200RK2	FKM seal cylinder, PTFE buttons, and PTFE bushing (for DBC62-200)	9B, 10, 12
DBCx3-200RK2	PTFE nose seal, PTFE buttons, and PTFE bushing (for DBC63-200, DBC66-200, and DBC67-200)	10, 12, 31
DBC64-200RK2	EPDM seal cylinder, PTFE buttons, and PTFE bushing (for DBC64-200)	9D, 10, 12
DBCxx-200RK4	link kit, link rivet, cotter pins, link washer, link arm, and yoke (for all 2" aluminum)	11, 14, 16, 22, 23
DBCxx-200RK5	stuffing box kit, stuffing box, PTFE O-ring, and large crank shaft bearing (for all 2" aluminum)	2, 5, 6
DBCxx-200RK6	lever (handle) kit, lever, groove pin, lock washer, and socket head cap screw (for all 2" aluminum)	8, 15, 28, 29
DBCxx-200RK7	crank shaft kit, crank shaft, cotter pin, and washer (for all 2" aluminum)	16, 21, 23
DBCxx-200RK8	main cylinder spring	25
DBCxx-200RK9	poppet kit, poppet, round head screw, set screw, and PTFE O-ring (for all 2" aluminum)	20, 24, 26, 27
DBCL-200	optional add on padlockable lever kit, handle (for all 2")	not illustrated

Product instruction sheets and technical data can be viewed on our website at canada.dixonvalve.com

DBC Cam & Groove Dry Disconnects

2" Stainless Couplers

Bill of Materials

DBC7x-200

Refer to Drawing on Page 119

Item #	Description	Part #	Qty	Item #	Description	Part #	Qty
1	body	---	1	14	link rivet	40086SS	1
2	stuffing box	40074SS	1	15	groove pin	40087SS	1
3	back up ring	40075TF	1	16	crank shaft cotter pin	40088SS	1
4A	crank shaft O-ring NBR (for DBC71-200)	40076BN	1	17	link cotter pin	40088SS	2
4B	crank shaft O-ring FKM (for DBC72-200)	40076VI	1	18	EZ Boss-Lock™ cam arm	40089SS	1
4C	crank shaft O-ring FFKM (for DBC73-200, DBC77-200, DBC76-200)	40076KR	1	19A	cam gasket NBR (for DBC71-200)	250-G-BU	1
4D	crank shaft O-ring EPDM (for DBC74-200)	40076EP	1	19B	cam gasket FKM (for DBC72-200)	250-G-VI	1
5	stuffing box PTFE O-ring	40077TF	1	19C	cam gasket PTFE/silicone (for DBC73-200)	250-G-TES	1
6	large crank shaft bearing	40078FG	1	19D	cam gasket EPR (for DBC74-200)	250-G-EPR	1
7	small crank shaft bearing	40079SS	1	19E	cam gasket PTFE/FKM (for DBC76-200, DBC77-200)	250-G-TEV	1
8	lever (handle)	40080SS	1	20	poppet	40091SS	1
9A	seal cylinder (for DBC71-200)	40081SSBN	1	21	crank shaft	40092SS	1
9B	seal cylinder (for DBC72-200)	40081SSVI	1	22	link arm	40093SS	1
9C	seal cylinder (for DBC73-200, DBC76-200, DBC77-200)	40168SS	1	23	link washer	40094SS	1
9D	seal cylinder (for DBC74-200)	40081SSEP	6	24	poppet screw PTFE O-ring	40095TF	1
10	PTFE button	40082TF	1	25	cylinder spring	40096SS	1
11	yoke	40083SS	1	26	set screw	40097SS	1
12	PTFE bushing	40084TF	1	27	poppet screw (round head)	40098SS	1
13A	body O-ring NBR (for DBC71-200)	40085BN	1	28	lock washer	40099SS	1
13B	body O-ring FKM (for DBC72-200)	40085VI	1	29	socket head cap screw	40100SS	1
13C	body O-ring PTFE/silicone (for DBC73-200)	40085TS	1	30	cam arm spring pin	40101SS	2
13D	body O-ring EPDM (for DBC74-200)	40085EP	1	31	nose seal (for DBC73-200, DBC76-200, and DBC77-200)	40170TF	1
13E	body O-ring FFKM (for DBC76-200)	40085KR	1				
13F	body O-ring PTFE/FKM (for DBC77-200)	40085TV	1				

Product instruction sheets and technical data can be viewed on our website at canada.dixonvalve.com

DBC Cam & Groove Dry Disconnects

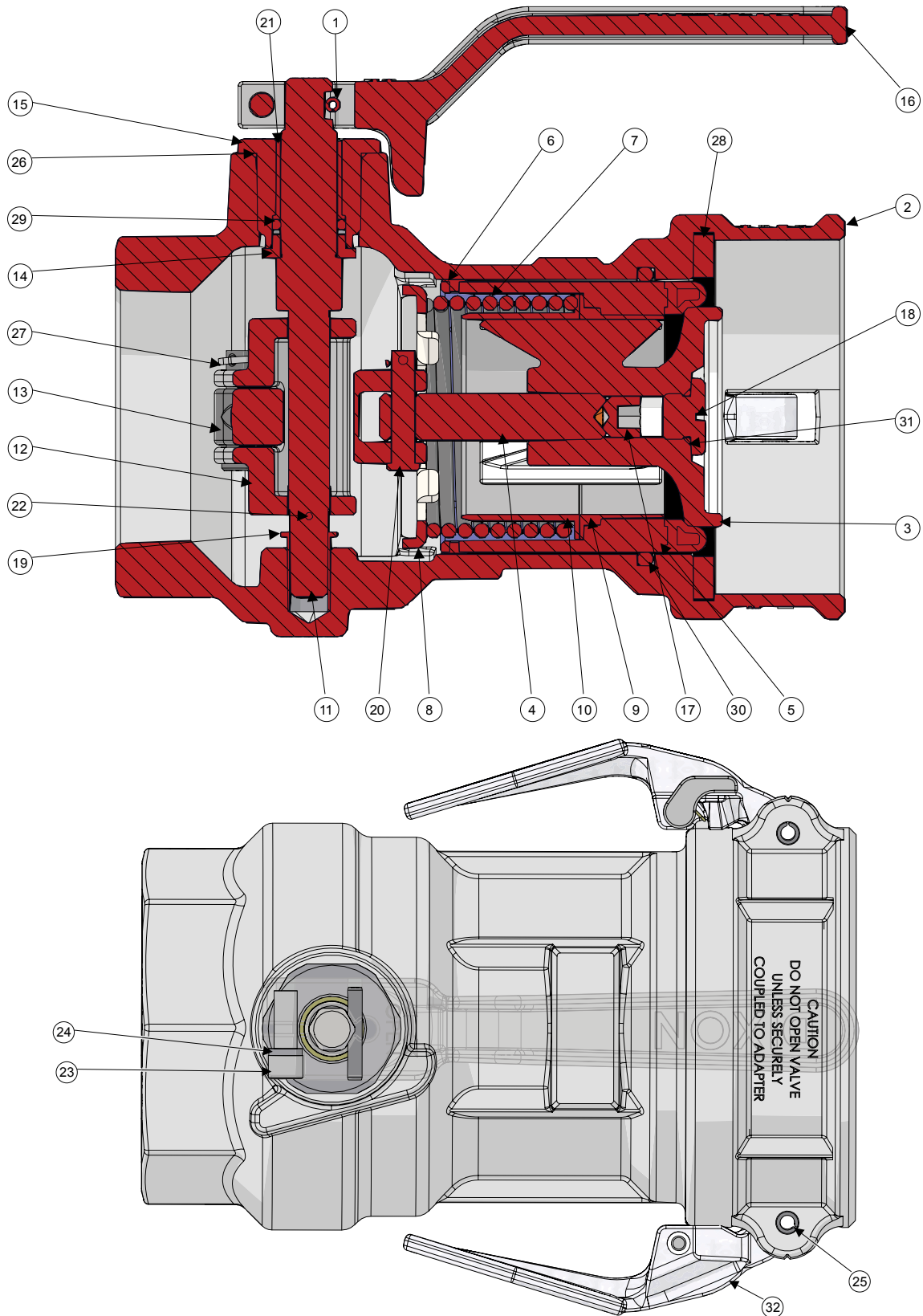
2" Stainless Couplers

Repair Kits

Part #	Description	Includes Item #
DBCx1-200RK1 (NBR)	seal kit, NBR crank shaft O-ring, PTFE stuffing box O-ring, NBR body O-ring, NBR cam gasket, PTFE O-ring (for DBC71-200)	4A, 5, 13A, 19A, 24
DBCx2-200RK1 (FKM)	seal kit, FKM crank shaft O-ring, PTFE stuffing box O-ring, FKM body O-ring, FKM cam gasket, PTFE O-ring (for DBC72-200)	4B, 5, 13B, 19B, 24
DBCx3-200RK1 (PTFE/silicone and FFKM)	seal kit, FFKM crank shaft O-ring, PTFE stuffing box O-ring, PTFE/silicone body O-ring, PTFE/silicone cam gasket, PTFE O-ring (for DBC73-200)	4C, 5, 13C, 19C, 24
DBCx4-200RK1 (EPDM)	seal kit, EPDM crank shaft O-ring, PTFE stuffing box O-ring, EPDM body O-ring, EPR cam gasket, PTFE O-ring (for DBC74-200)	4D, 5, 13D, 19D, 24
DBCx6-200RK1 (FFKM and PTFE/FKM)	seal kit, FFKM crank shaft O-ring, PTFE stuffing box O-ring, FFKM body O-ring, PTFE/FKM cam gasket, PTFE O-ring (for DBC76-200)	4C, 5, 13E, 19E, 24
DBCx7-200RK1 (PTFE/FKM and FFKM)	seal kit, FFKM crank shaft O-ring, PTFE stuffing box O-ring, PTFE/FKM body O-ring, PTFE/FKM cam gasket, PTFE O-ring (for DBC77-200)	4C, 5, 13F, 19E, 24
DBC71-200RK2	NBR seal cylinder, PTFE buttons, and PTFE bushing (for DBC71-200)	9A, 10, 12
DBC72-200RK2	FKM seal cylinder, PTFE buttons, and PTFE bushing (for DBC72-200)	9B, 10, 12
DBCx3-200RK2	PTFE nose seal, PTFE buttons, and PTFE bushing (for DBC73-200, DBC76-200, and DBC77-200)	10, 12, 31
DBC74-200RK2	EPDM seal cylinder, PTFE buttons, and PTFE bushing (for DBC74-200)	9D, 10, 12
DBCxx-200RK4	link kit, link rivet, cotter pins, link washer, link arm, yoke (for all 2" SS)	11, 14, 16, 17, 22, 23
DBCxx-200RK5	stuffing box kit, stuffing box, PTFE O-ring, and large crank shaft bearing (for all 2" SS)	2, 5, 6
DBCxx-200RK6	lever (handle) kit, lever, groove pin, lock washer, and socket head cap screw (for all 2" SS)	8, 15, 28, 29
DBCxx-200RK7	crank shaft kit, crank shaft, cotter pin, and washer (for all 2" SS)	16, 21, 23
DBCxx-200RK8	main cylinder spring	25
DBCxx-200RK9	poppet kit, poppet, round head screw, set screw, and PTFE O-ring (for all 2" SS)	20, 24, 26, 27
DBCL-200	optional add on padlockable lever kit (handle) (for all 2")	not illustrated

Product instruction sheets and technical data can be viewed on our website at canada.dixonvalve.com

DBC Cam & Groove Dry Disconnects 3" Aluminum Couplers



Product instruction sheets and technical data can be viewed on our website at canada.dixonvalve.com

DBC Cam & Groove Dry Disconnects

3" Aluminum Couplers

Bill of Materials

DBC6x-300

Refer to Drawing on Page 128

Item #	Description	Part #	Qty	Item #	Description	Part #	Qty
1	groove pin	40087SS	1	23	lever (handle) screw	40216SS	1
2	body	---	1	24	lever (handle) lock washer	40217SS	1
3	poppet	40195SS	1	25	cam arm pin	40218SS	2
4	stem	40196SS	1	26	PTFE O-ring	40219TF	1
5A	seal cylinder (for DBC61-300)	40197ALBN	1	27	cotter pin	40221SS	2
5B	seal cylinder (for DBC62-300)	40197ALVI	1	28A	NBR coupler gasket (for DBC61-300)	DBCx1-300RK3	1
5C	seal cylinder (for DBC63-300, DBC66-300, and DBC67-300)	40304SS	1	28B	FKM coupler gasket (for DBC62-300)	DBCx2-300RK3	1
5D	seal cylinder (for DBC64-300)	40197SSEP	1	28C	PTFE/silicone coupler gasket (for DBC63-300)	DBCx3-300RK3	1
5E	seal cylinder (for DBC69-300)	40197SSVB	1	28D	EPDM coupler gasket (for DBC64-300)	DBCx4-300RK3	1
6	PTFE button	40198TF	8	28E	PTFE/FKM coupler gasket (for DBC66-300 and DBC67-300)	40222TV	1
7	cylinder spring	DBCxx-300RK8	1	28F	FKM-B coupler gasket (for DBC69-300)	DBCx9-300RK3	1
8	poppet spring seat	40200AL	1	29A	NBR O-ring (for DBC61-300)	40223BN	1
9	PTFE bushing	40201TF	1	29B	FKM O-ring (for DBC62-300)	40223VI	1
10	poppet spring guide	40202SS	1	29C	FFKM O-ring (for DBC63-300, DBC66-300, and DBC67-300)	40223KR	1
11	shaft	40203SS	1	29D	EPDM O-ring (for DBC64-300)	40223EP	1
12	yoke	40204SS	1	29E	FKM-B O-ring (for DBC69-300)	40223VB	1
13	link	40205SS	1	30A	NBR O-ring (for DBC61-300)	40224BN	1
14	shaft retainer	40206SS	1	30B	FKM O-ring (for DBC62-300)	40224VI	1
15	stuffing box	40207SS	1	30C	PTFE/silicone O-ring (for DBC63-300)	40224TS	1
16	lever (handle)	40208SS	1	30D	EPDM O-ring (for DBC64-300)	40224EP	1
17	set screw	40209SS	1	30E	FFKM O-ring (for DBC66-300)	40224KR	1
18	poppet screw	40210SS	1	30F	PTFE/FKM O-ring (for DBC67-300)	40224TV	1
19	PTFE bearing	40211TF	1	30G	FKM-B O-ring (for DBC69-300)	40224VB	1
20	clevis pin	40212SS	2	31	PTFE O-ring	40235TF	1
21	bearing	40213FG	1	32	locking paddle arm	40285SSSS	2
22	cotter pin	40214SS	1	33	nose seal (for DBC63-300, DBC66-300, and DBC67-300)	40305TF	1

Product instruction sheets and technical data can be viewed on our website at canada.dixonvalve.com

DBC Cam & Groove Dry Disconnects
3" Aluminum Couplers
Repair Kits

Part #	Description	Includes Item #
DBCx1-300RK1 (NBR)	seal kit, NBR stuffing box O-ring, PTFE stuffing box to body O-ring, NBR body O-ring, NBR cam gasket, PTFE poppet screw O-ring (for DBC61-300)	26, 28A, 29A, 30A, 31
DBCx2-300RK1 (FKM)	seal kit, FKM stuffing box O-ring, PTFE stuffing box to body O-ring, FKM body O-ring, FKM cam gasket, PTFE poppet screw O-ring (for DBC62-300)	26, 28B, 29B, 30B, 31
DBCx3-300RK1 (PTFE/silicone and FFKM)	seal kit, FFKM stuffing box O-ring, PTFE stuffing box to body O-ring, PTFE/silicone body O-ring, PTFE/silicone cam gasket, PTFE poppet screw O-ring (for DBC63-300)	26, 28C, 29C, 30C, 31
DBCx4-300RK1 (EPDM)	seal kit, EPDM stuffing box O-ring, PTFE stuffing box to body O-ring, EPDM body O-ring, EPDM cam gasket, PTFE poppet screw O-ring (for DBC64-300)	26, 28D, 29D, 30D, 31
DBCx6-300RK1 (FFKM and PTFE/FKM)	seal kit, FFKM stuffing box O-ring, PTFE stuffing box to body O-ring, FFKM body O-ring, PTFE/FKM cam gasket, PTFE poppet screw O-ring (for DBC66-300)	26, 28E, 29C, 30E, 31
DBCx7-300RK1 (PTFE/FKM and FFKM)	seal kit, FFKM stuffing box O-ring, PTFE stuffing box to body O-ring, PTFE/FKM body O-ring, PTFE/FKM cam gasket, PTFE poppet screw O-ring (for DBC67-300)	26, 28E, 29C, 30F, 31
DBCx9-300RK1 (FKM-B)	seal kit, FKM-B stuffing box O-ring, PTFE stuffing box to body O-ring, FKM-B body O-ring, FKM-B cam gasket, PTFE poppet screw O-ring (for DBC69-300)	26, 28F, 29E, 30G, 31
DBC61-300RK2	NBR seal cylinder, PTFE buttons, and PTFE bushing (for DBC61-300)	5A, 6, 9
DBC62-300RK2	FKM seal cylinder, PTFE buttons, and PTFE bushing (for DBC62-300)	5B, 6, 9
DBCx3-300RK2	PTFE nose seal, PTFE buttons, and PTFE bushing (for DBC63-300, DBC66-300, and DBC67-300)	6, 9, 33
DBC64-300RK2	EPDM seal cylinder, PTFE buttons, and PTFE bushing (for DBC64-300)	5D, 6, 9
DBC69-300RK2	FKM-B seal cylinder, PTFE buttons, and PTFE bushing (for DBC69-300)	5E, 6, 9
DBCx1-300RK3	NBR coupler gasket	28A
DBCx2-300RK3	FKM coupler gasket	28B
DBCx3-300RK3	PTFE/silicone coupler gasket	28C
DBCx4-300RK3	EPDM coupler gasket	28D
DBCx9-300RK3	FKM-B coupler gasket	28F
DBCxx-300RK4	link kit, clevis pin, cotter pin, stem, link, and yoke (for all 3" aluminum)	4, 12, 13, 20, 22, 27
DBCxx-300RK5	stuffing box kit, stuffing box, PTFE O-ring, and bearing	15, 21, 26
DBCxx-300RK6	lever (handle) kit, lever, groove pin, lock washer, and socket head cap screw (for all 3" aluminum)	1, 16, 23, 24
DBCxx-300RK7	shaft kit, shaft, cotter pin, bearing, shaft retainer	11, 14, 19, 22
DBCxx-300RK8	main cylinder spring	7
DBCxx-300RK9	poppet kit, poppet and screw, set screw, and PTFE O-ring	3, 17, 18, 31

Product instruction sheets and technical data can be viewed on our website at canada.dixonvalve.com

DBC Cam & Groove Dry Disconnects

3" Stainless Couplers

Bill of Materials

DBC7x-300

Refer to Drawing on Page 128

Item #	Description	Part #	Qty	Item #	Description	Part #	Qty
1	groove pin	40087SS	1	23	lever (handle) screw	40216SS	1
2	body	---	1	24	lever (handle) lock washer	40217SS	1
3	poppet	40195SS	1	25	cam arm pin	40218SS	2
4	stem	40196SS	1	26	PTFE O-ring	40219TF	1
5A	seal cylinder NBR (for DBC71-300)	40197SSBN	1	27	cotter pin	40221SS	2
5B	seal cylinder FKM (for DBC72-300)	40197SSVI	1	28A	NBR coupler gasket (for DBC71-300)	DBCx1-300RK3	1
5C	stainless cylinder (for DBC73-300, DBC76-300, and DBC77-300)	40304SS	1	28B	FKM coupler gasket (for DBC72-300)	DBCx2-300RK3	1
5D	seal cylinder EPDM (for DBC74-300)	40197SSEP	1	28C	PTFE/silicone coupler gasket (for DBC73-300)	40222TS	1
5E	seal cylinder FKM-B (for DBC79-300)	40197SSVB	1	28D	EPDM coupler gasket (for DBC74-300)	40222EP	1
6	PTFE button	40198TF	8	28E	PTFE/FKM coupler gasket (for DBC76-300 and DBC77-300)	40222TV	1
7	cylinder spring	DBCxx-300RK8	1	28F	FKM-B coupler gasket (for DBC79-300)	DBCx9-300RK3	1
8	spring seat	40200SS	1	29A	NBR O-ring (for DBC71-300)	40223BN	1
9	PTFE bushing	40201TF	1	29B	FKM O-ring (for DBC72-300)	40223VI	1
10	spring guide	40202SS	1	29C	FFKM O-ring (for DBC73-300, DBC76-300, and DBC77-300)	40223KR	1
11	shaft	40203SS	1	29D	EPDM O-ring (for DBC74-300)	40223EP	1
12	yoke	40204SS	1	29E	FKM-B O-ring (for DBC79-300)	40223VB	1
13	link arm	40205SS	1	30A	NBR O-ring (for DBC71-300)	40224BN	1
14	shaft retainer	40206SS	1	30B	FKM O-ring (for DBC72-300)	40224VI	1
15	stuffing box	40207SS	1	30C	PTFE/silicone O-ring (for DBC73-300)	40224TS	1
16	lever (handle)	40208SS	1	30D	EPDM O-ring (for DBC74-300)	40224EP	1
17	set screw	40209SS	1	30E	FFKM O-ring (for DBC76-300)	40224KR	1
18	poppet screw	40210SS	1	30F	PTFE/FKM O-ring (for DBC77-300)	40224TV	1
19	PTFE bearing	40211TF	1	30G	FKM-B O-ring (for DBC79-300)	40224VB	1
20	clevis pin	40212SS	2	31	PTFE O-ring	40235TF	1
21	bearing	40213FG	1	32	locking paddle arm	40285SSSS	2
22	cotter pin	40214SS	1	33	PTFE nose seal (for DBC73-300, DBC76-300, and DBC77-300)	40305TF	1

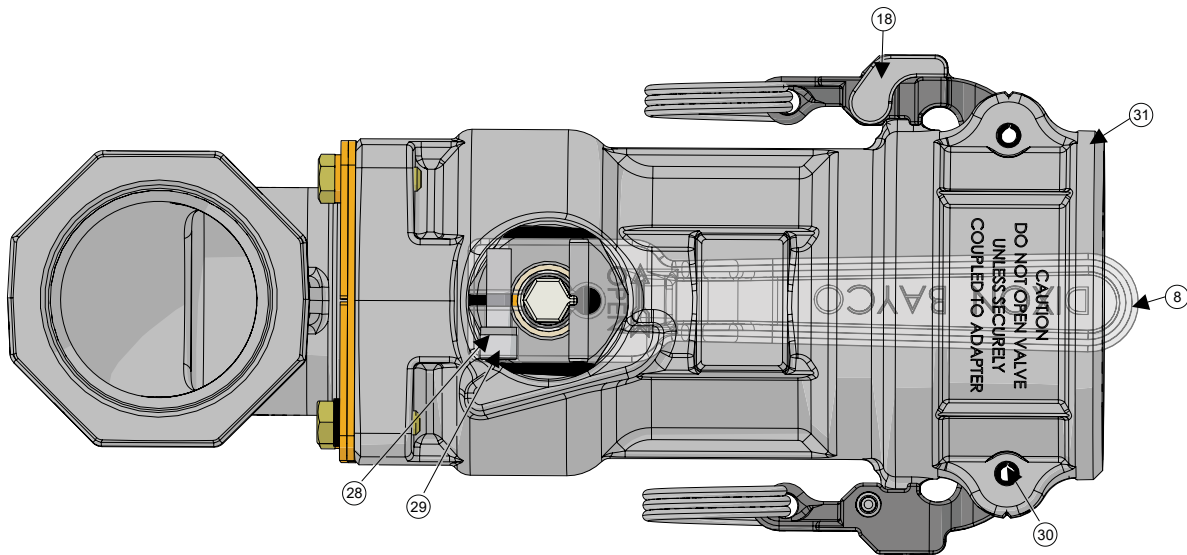
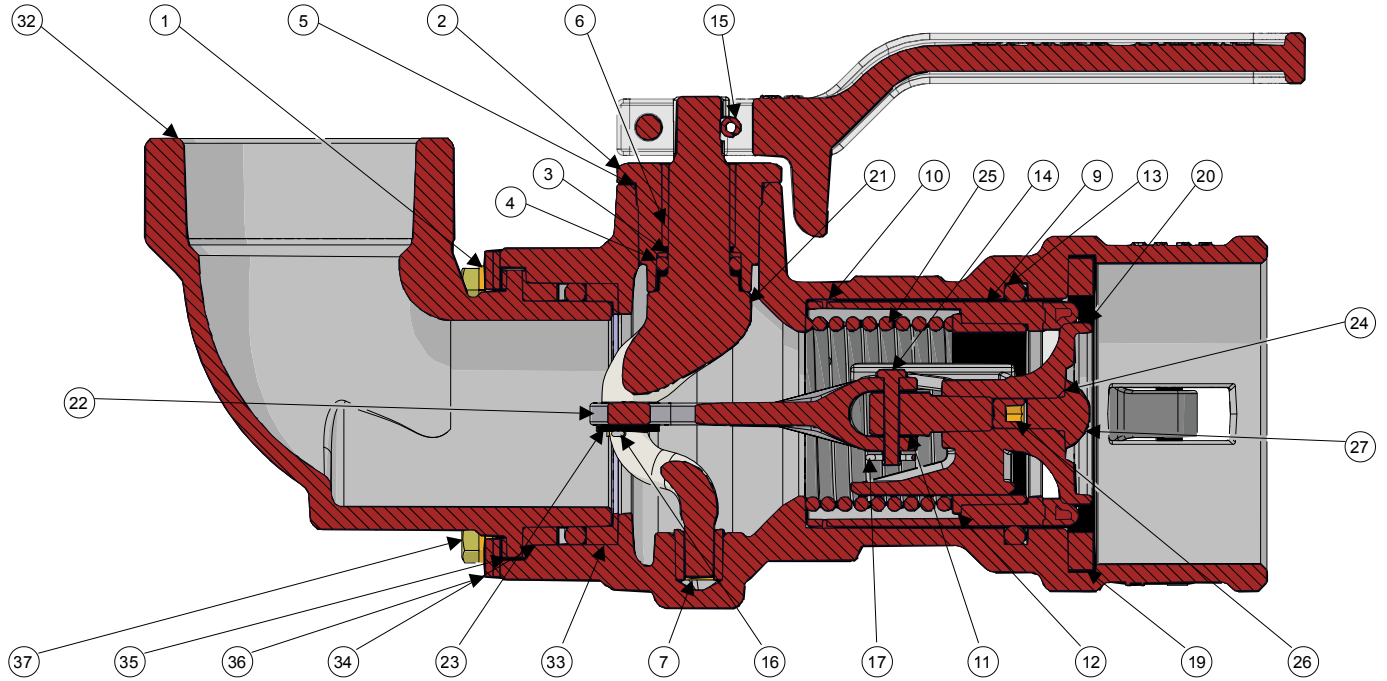
Product instruction sheets and technical data can be viewed on our website at canada.dixonvalve.com

DBC Cam & Groove Dry Disconnects
3" Stainless Couplers
Repair Kits

Part #	Description	Includes Item #
DBCx1-300RK1 (NBR)	seal kit, NBR stuffing box O-ring, PTFE stuffing box to body O-ring, NBR body O-ring, NBR cam gasket, PTFE poppet screw O-ring (for DBC71-300)	26, 28A, 29A, 30A, 31
DBCx2-300RK1 (FKM)	seal kit, FKM stuffing box O-ring, PTFE stuffing box to body O-ring, FKM body O-ring, FKM cam gasket, PTFE poppet screw O-ring (for DBC72-300)	26, 28B, 29B, 30B, 31
DBCx3-300RK1 (PTFE/silicone and FFKM)	seal kit, FFKM stuffing box O-ring, PTFE stuffing box to body O-ring, PTFE/silicone body O-ring, PTFE/silicone cam gasket, PTFE poppet screw O-ring (for DBC73-300)	26, 28C, 29C, 30C, 31
DBCx4-300RK1 (EPDM)	seal kit, EPDM stuffing box O-ring, PTFE stuffing box to body O-ring, EPDM body O-ring, EPDM cam gasket, PTFE poppet screw O-ring (for DBC74-300)	26, 28D, 29D, 30D, 31
DBCx6-300RK1 (FFKM and PTFE/FKM)	seal kit, FFKM stuffing box O-ring, PTFE stuffing box to body O-ring, FFKM body O-ring, PTFE/FKM cam gasket, PTFE poppet screw O-ring (for DBC76-300)	26, 28E, 29C, 30E, 31
DBCx7-300RK1 (PTFE/FKM and FFKM)	seal kit, FFKM stuffing box O-ring, PTFE stuffing box to body O-ring, PTFE/FKM body O-ring, PTFE/FKM cam gasket, PTFE poppet screw O-ring (for DBC77-300)	26, 28E, 29C, 30F, 31
DBCx9-300RK1 (FKM-B)	seal kit, FKM-B stuffing box O-ring, PTFE stuffing box to body O-ring, FKM-B body O-ring, FKM cam gasket, PTFE poppet screw O-ring (for DBC79-300)	26, 28F, 29E, 30G, 31
DBC69-300RK2	FKM-B seal cylinder, PTFE buttons, and PTFE bushing (for DBC79-300)	5E, 6, 9
DBC71-300RK2	NBR seal cylinder, PTFE buttons, and PTFE bushing (for DBC71-300)	5A, 6, 9
DBC72-300RK2	FKM seal cylinder, PTFE buttons, and PTFE bushing (for DBC72-300)	5B, 6, 9
DBCx3-300RK2	PTFE nose seal, PTFE buttons, and PTFE bushing (for DBC73-300, DBC76-300, and DBC77-300)	6, 9, 33
DBC74-300RK2	EPDM seal cylinder, PTFE buttons, and PTFE bushing (for DBC74-300)	5D, 6, 9
DBCx1-300RK3	NBR coupler gasket	28A
DBCx2-300RK3	FKM coupler gasket	28B
DBCxx-300RK4	link kit, clevis pin, cotter pin, stem, link arm, and yoke (for all 3" SS)	4, 12, 13, 20, 22, 27
DBCxx-300RK5	stuffing box kit, stuffing box, PTFE O-ring, and bearing (for all 3" SS)	15, 21, 26
DBCxx-300RK6	lever (handle) kit, lever, groove pin, lock washer and socket head cap screw (for all 3" SS)	1, 16, 23, 24
DBCxx-300RK7	shaft kit, shaft, cotter pin bearing, shaft retainer (for all 3" SS)	11, 14, 19, 22
DBCxx-300RK8	main cylinder spring	7
DBCxx-300RK9	poppet kit, poppet, poppet screw, set screw, and PTFE O-ring (for all 3" SS)	3, 17, 18, 31

Product instruction sheets and technical data can be viewed on our website at canada.dixonvalve.com

DBS 90° Swivel Cam & Groove Dry Disconnects 2" Aluminum 90° Swivel Couplers



Section A - A

Product instruction sheets and technical data can be viewed on our website at canada.dixonvalve.com

DBS 90° Swivel Cam & Groove Dry Disconnects
2" Aluminum 90° Swivel Couplers
Bill of Materials
DBS6x-200

Item #	Description	Part #	Qty	Item #	Description	Part #	Qty
1	lock washer	10111	4	18	EZ Boss-Lock™ cam arm	40089SS	2
2	stuffing box	40074SS	1	19A	cam gasket NBR (for DBS61-200)	250-G-BU	1
3	back up ring	40075TF	1	19B	cam gasket FKM (for DBS62-200)	250-G-VI	1
4A	crank shaft O-ring NBR (for DBS61-200)	40076BN	1	19C	cam gasket PTFE/silicone (for DBS63-200)	250-G-TES	1
4B	crank shaft O-ring FKM (for DBS62-200)	40076VI	1	20	poppet	40091SS	1
4C	crank shaft O-ring FFKM (for DBS63-200)	40076KR	1	21	crank shaft	40092SS	1
5	stuffing box PTFE O-ring	40077TF	1	22	link arm	40093SS	1
6	large crank shaft bearing	40078FG	1	23	link washer	40094SS	1
7	small crank shaft bearing	40079SS	1	24	poppet screw PTFE O-ring	40095TF	1
8	lever (handle)	40080SS	1	25	cylinder spring	DBCxx-200RK8	1
9A	seal cylinder (for DBS61-200)	40081ALBN	1	26	set screw	40097SS	1
9B	seal cylinder (for DBS62-200)	40081ALVI	1	27	poppet screw (round head)	40098SS	1
9C	seal cylinder (for DBS63-200)	40168SS	1	28	lock washer	40099SS	1
10	PTFE button	40082TF	6	29	socket head cap screw	40100SS	1
11	yoke	40083SS	1	30	cam arm spring pin	40101SS	2
12	PTFE bushing	40084TF	1	31	main body	---	1
13A	body and swivel NBR O-ring (for DBS61-200)	40085BN	2	32	elbow body	---	1
13B	body and swivel FKM O-ring (for DBS62-200)	40085VI	2	33	bottom bearing	40106AC	1
13C	body and swivel PTFE/ silicone O-ring (for DBS63-200)	40085TS	2	34	top bearing	40108AC	1
14	link rivet	40086SS	1	35	washer	40109AC	1
15	groove pin	40087SS	1	36	flange retainer	40110ST	4
16	crank shaft cotter pin	40088SS	1	37	screw	40111SS	4
17	link cotter pin	40088SS	1	not illustrated	nose seal (for DBS63-200)	40170TF	1

Product instruction sheets and technical data can be viewed on our website at canada.dixonvalve.com

DBS 90° Swivel Cam & Groove Dry Disconnects

2" Aluminum 90° Swivel Couplers

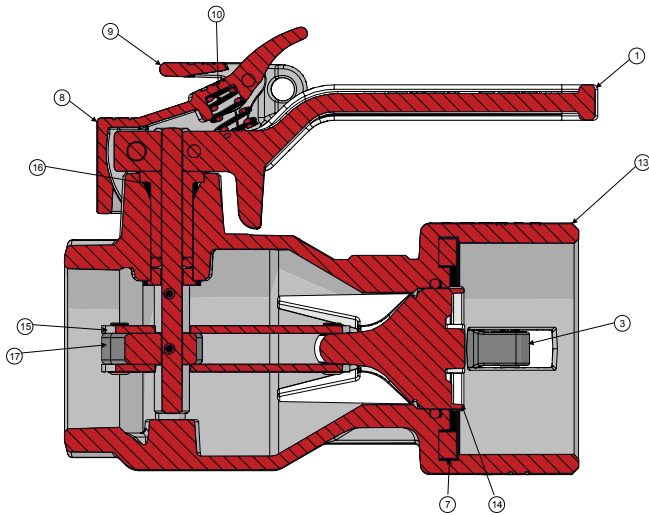
Repair Kits

Part #	Description	Includes Item #
DBS62-200RK1	seal kit, FKM crank shaft O-ring, PTFE stuffing box O-ring, FKM body and swivel O-rings, FKM cam gasket, PTFE O-ring (for DBS62-200)	4B, 5, 13B, 19B, 24
DBS61-200RK1	seal kit, NBR crank shaft O-ring, PTFE stuffing box O-ring, NBR and swivel body O-rings, NBR cam gasket, PTFE O-ring (for DBS61-200)	4A, 5, 13A, 19A, 24
DBS63-200RK1	seal kit, FFKM crank shaft O-ring, PTFE stuffing box O-ring, PTFE/silicone body and swivel O-rings, PTFE/silicone cam gasket, PTFE O-ring (for DBS63-200)	4C, 5, 13C, 19C, 24
DBS61-200RK4	swivel rebuild kit, NBR body O-ring, top and bottom bearings, washer, flange retainers, and screws (for DBS61-200)	13A, 33, 34, 35, 36, 37
DBS62-200RK4	swivel rebuild kit, FKM body O-ring, top and bottom bearings, washer, flange retainers, and screws (for DBS62-200)	13B, 33, 34, 35, 36, 37
DBS63-200RK4	swivel rebuild kit, PTFE/silicone body O-ring, top and bottom bearings, washer, flange retainers, and screws (for DBS63-200)	13C, 33, 34, 35, 36, 37
DBS61-200RK10	swivel seal kit, NBR body O-ring, top and bottom bearings (for DBS61-200)	13A, 33, 34, 35
DBS62-200RK10	swivel seal kit, FKM body O-ring, top and bottom bearings (for DBS62-200)	13B, 33, 34, 35
DBS63-200RK10	swivel seal kit, PTFE/silicone body O-ring, top and bottom bearings (for DBS63-200)	13C, 33, 34, 35
DBC61-200RK2	NBR seal cylinder, PTFE buttons, and PTFE bushing (for DBS61-200)	9A, 10, 12
DBC62-200RK2	FKM seal cylinder, PTFE buttons, and PTFE bushing (for DBS62-200)	9B, 10, 12
DBCx3-200RK2	PTFE nose seal, PTFE buttons, and PTFE bushing (for DBS63-200)	10, 12, + items not illustrated
DBCxx-200RK4	link kit, link rivet, cotter pins, link washer, link arm, and yoke (for all 2")	11, 14, 16, 17, 22, 23
DBCxx-200RK5	stuffing box kit, stuffing box, PTFE O-ring, and large crank shaft bearing (for all 2")	2, 5, 6
DBCxx-200RK6	lever (handle) kit, lever, groove pin, lock washer, and socket head cap screw (for all 2")	8, 15, 28, 29
DBCxx-200RK7	crank shaft kit, crank shaft, cotter pin, and washer (for all 2")	16, 21, 23
DBCxx-200RK8	main cylinder spring (for all 2")	25
DBCxx-200RK9	poppet kit, poppet, round head screw, set screw, and PTFE O-ring (for all 2")	20, 24, 26, 27
DBCL-200	optional add on padlockable lever kit, handle (for all 2")	not illustrated

Product instruction sheets and technical data can be viewed on our website at canada.dixonvalve.com

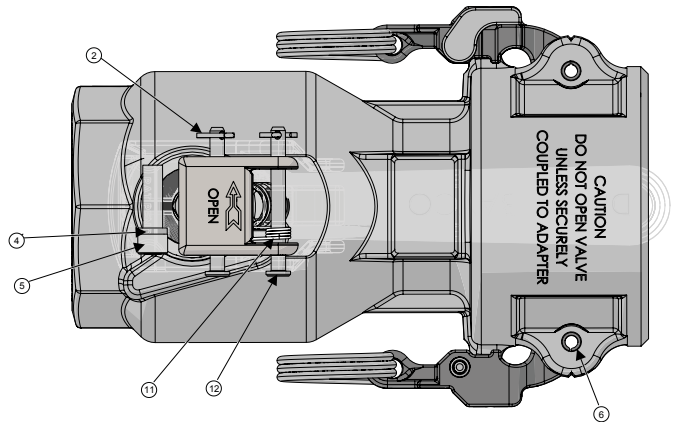
D2C Cam & Groove Actuator Style Dry Disconnects

1-1/2" Stainless Couplers



1-1/2" Stainless Coupler
Bill of Materials
D2C7x-150

Item #	Description	Part #	Qty
1	lever	40080SS	1
2	lever cotter pin	40088SS	2
3	EZ-Boss-Lock cam arm	40089SS	2
4	lock washer	40099SS	1
5	socket head screw	40100SS	1
6	cam arm spring pin	40101SS	2
7A	cam gasket NBR (for D2C71-150)	200-G-BU	1
7B	cam gasket FKM (for D2C72-150)	200-G-VI	1
7C	cam gasket PTFE/silicone (for D2C73-150)	200-G-TES	1
7D	cam gasket EPDM (for D2C74-150)	200-G-EPDM	1
8	lever latch	40225SS	1
9	lever lock	40226SS	1
10	lever lock compression spring	40230SS	1
11	lever lock torsion spring	40231SS	1
12	lever clevis pin	40232SS	2
13	body	---	1
14	poppet	40287SS	1
15	poppet link arm	40288SS	2
16	bearing	40289FG	1
17	poppet cam	40290SS	1
18	poppet lever shaft	40291SS	1
19	poppet link rivet	40292SS	2
20	poppet lever shaft spring pin	40293SS	2
21	spacer	40294SS	1
22	poppet O-ring PTFE/FKM	40295TV	1
23A	lever shaft O-ring NBR (for D2C71-150)	40296BN	1
23B	lever shaft O-ring FKM (for D2C72-150)	40296VI	1
23C	lever shaft O-ring FFKM (for D2C73-150)	40296KR	1
23D	lever shaft O-ring EPDM (for D2C74-150)	40296EP	1



2" Stainless Coupler
Bill of Materials
D2C7x-200

Item #	Description	Part #	Qty
1	lever	40080SS	1
2	lever cotter pin	40088SS	2
3	EZ-Boss-Lock cam arm	40089SS	2
4	lock washer	40099SS	1
5	socket head screw	40100SS	1
6	cam arm spring pin	40101SS	2
7A	cam gasket NBR (for D2C71-200)	250-G-BU	1
7B	cam gasket FKM (for D2C72-200)	250-G-VI	1
7C	cam gasket PTFE/silicone (for D2C73-200)	250-G-TES	1
7D	cam gasket EPDM (for D2C74-200)	250-G-EPDM	1
8	lever latch	40225SS	1
9	lever lock	40226SS	1
10	lever lock compression spring	40230SS	1
11	lever lock torsion spring	40231SS	1
12	lever clevis pin	40232SS	2
13	body	---	1
14	poppet	40298SS	1
15	poppet link arm	40299SS	2
16	bearing	40289FG	1
17	poppet cam	40300SS	1
18	poppet lever shaft	40291SS	1
19	poppet link rivet	40292SS	2
20	poppet lever shaft spring pin	40293SS	2
21	spacer	40294SS	1
22	poppet O-ring PTFE/FKM	40301TV	1
23A	lever shaft O-ring NBR (for D2C71-200)	40296BN	1
23B	lever shaft O-ring FKM (for D2C72-200)	40296VI	1
23C	lever shaft O-ring FFKM (for D2C73-200)	40296KR	1
23D	lever shaft O-ring EPDM (for D2C74-200)	40296EP	1

Product instruction sheets and technical data can be viewed on our website at canada.dixonvalve.com

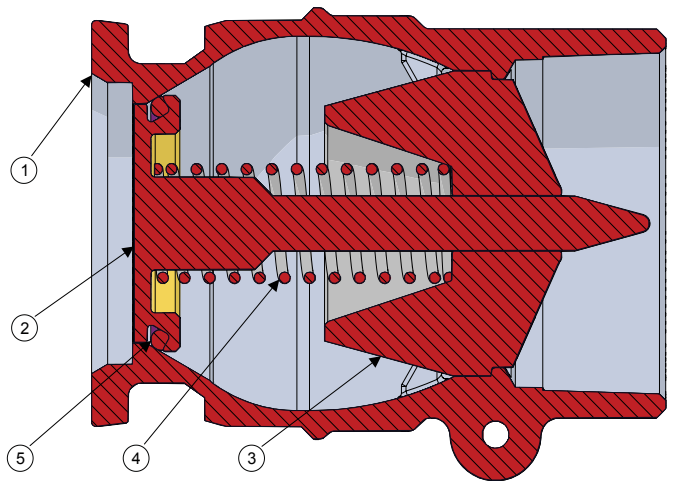
Dry Disconnect Bayonet Style Adapters 2" and 3" Adapters

2" Stainless Adapter Bill of Materials BA3x-200

Item #	Description	Part #	Qty
1	stainless body	40053SS	1
2	brass poppet	40054BR	1
3	stainless deflector	40055SS	1
4	stainless spring	40056SS	1
5A	NBR O-ring (for BA31-200)	BA31-200RK1	1
5B	FKM O-ring (for BA32-200)	BA32-200RK1	1

3" Aluminum Adapter Bill of Materials BA6x-300

Item #	Description	Part #	Qty
1	aluminum body	40278AL	1
2	aluminum poppet	40279AL	1
3	aluminum deflector	40280AL	1
4	stainless steel spring	40281SS	1
5A	NBR O-ring (for BA61-300)	BA31-300RK1	1
5B	FKM O-ring (for BA62-300)	BA32-300RK1	1



3" Bronze Adapter Bill of Materials BA3x-300

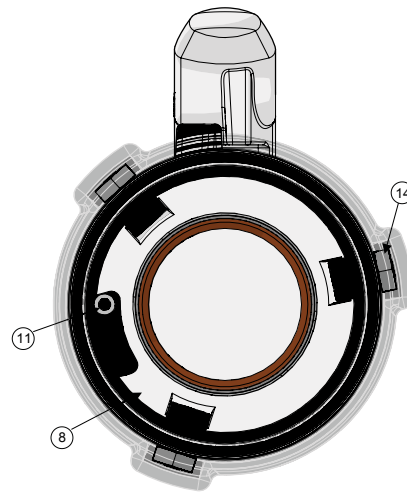
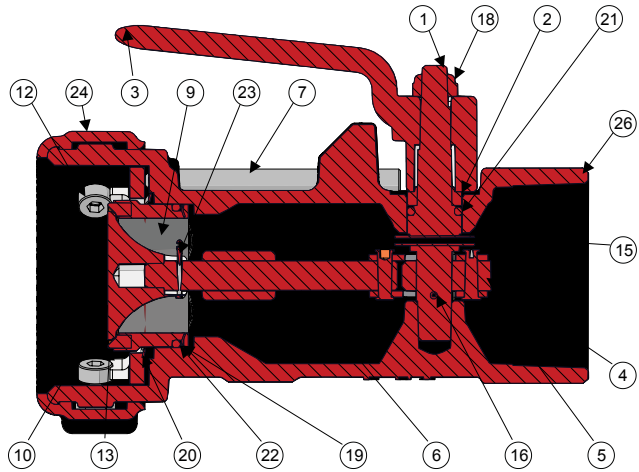
Item #	Description	Part #	Qty
1	bronze body	40278BR	1
2	bronze poppet	40279BR	1
3	bronze deflector	40280BR	1
4	stainless steel spring	40281SS	1
5A	NBR O-ring (for BA31-300)	BA31-300RK1	1
5B	FKM O-ring (for BA32-300)	BA32-300RK1	1

Product instruction sheets and technical data can be viewed on our website at canada.dixonvalve.com

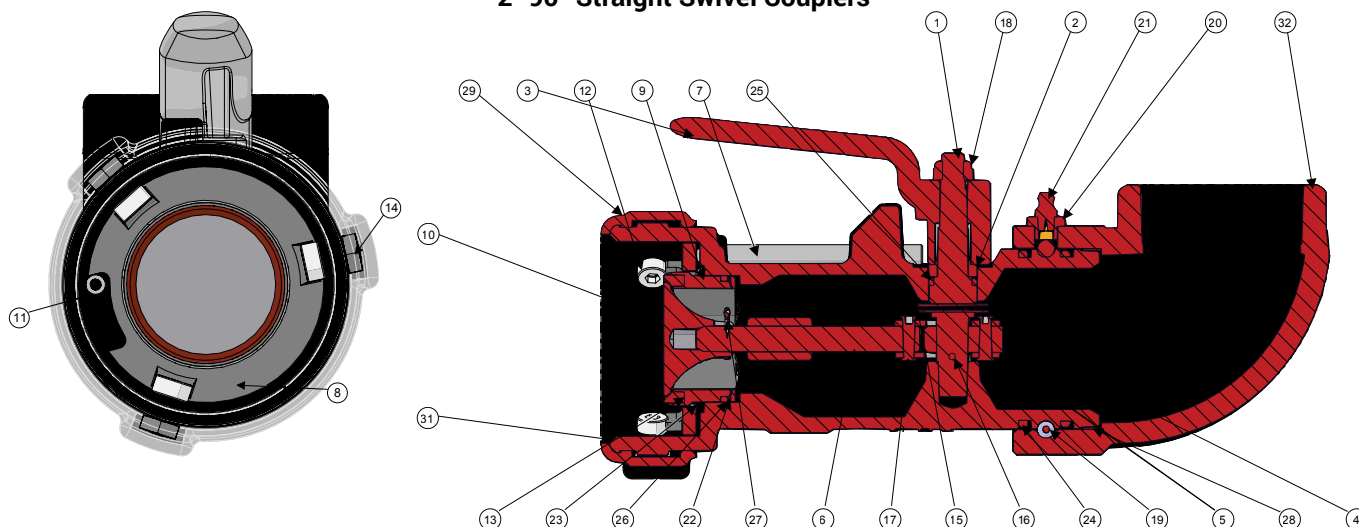
Dry Disconnect Bayonet Style Couplers
2" Straight Non-Swiveling Couplers

2" Stainless Coupler
Bill of Materials
BC6x-200

Item #	Description	Part #	Qty
1	lever shaft	40138SS	1
2	lever shaft follower	40139SS	1
3	lever	40140SS	1
4	poppet link arm	40141SS	1
5	bent link	40142SS	2
6	stem	40143SS	1
7	interlocking pin	40144SS	1
8	lock ring	40145SS	1
9	nose piece	40146HC	1
10	poppet	40147CA	1
11	coiled pin	40148SS	1
12	bayonet stud	40149SS	3
13A	nose seal NBR (for BC61-200)	40150BN	1
13B	nose seal FKM (for BC62-200)	40150VI	1
14	jam nut	40151SS	3
15	spring pin	40152SS	1
16	coiled pin	40153SS	1
17	rivet	40154SS	2
18	lock nut	40155SS	1
19	wave spring	40159SS	2
20	wave spring washer	40160SS	1
21A	shaft O-ring NBR (for BC61-200)	40162BN	1
21B	shaft O-ring FKM (for BC62-200)	40162VI	1
22A	poppet O-ring NBR (for BC61-200)	40163BN	1
22B	poppet O-ring FKM (for BC62-200)	40163VI	1
23	cotter pin	40164SS	1
24	bumper ring	40166VY	1
25	label	40167AL	1
26	body	---	1



Dry Disconnect Bayonet Style Couplers 2" 90° Straight Swivel Couplers



The 90° swivel coupler (BS-Series) is illustrated above. The straight swivel coupler (BSS-Series) uses the same components, except it does not have #21A grease nipple, it utilizes a #21B set screw plug

Bill of Materials BS6x-200 and BSS6x-200

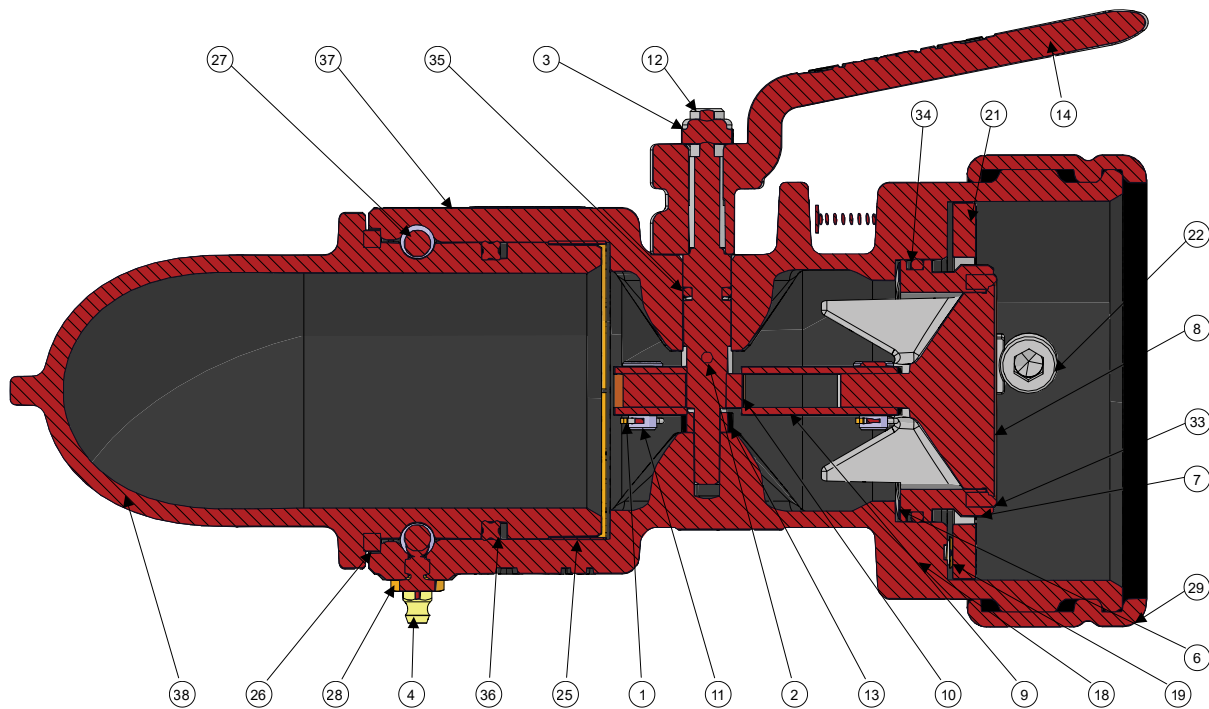
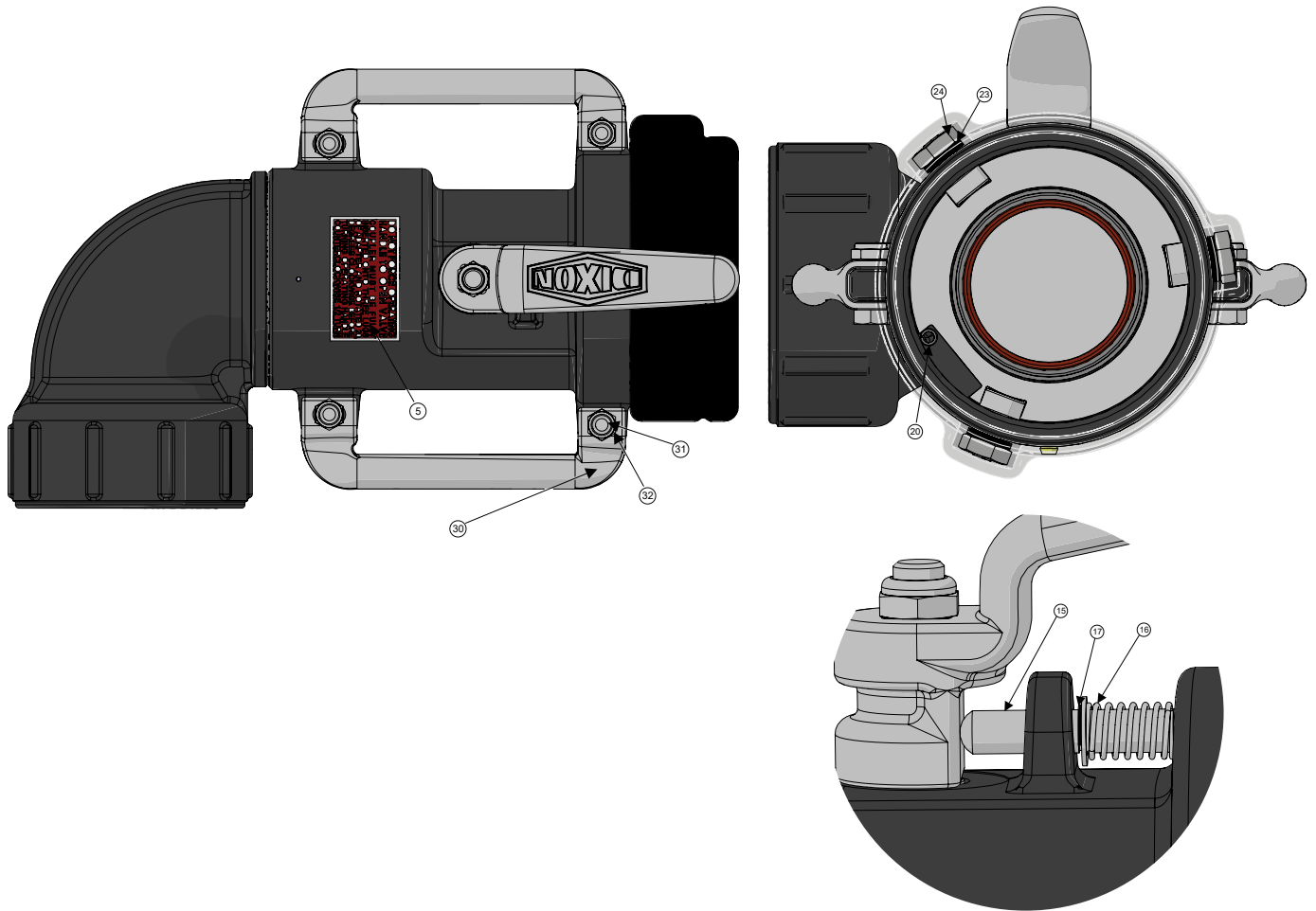
Item #	Description	Part #	Qty	Item #	Description	Part #	Qty
1	lever shaft	40138SS	1	19	ball bearing	40156SS	32
2	follower	40139SS	1	20	ball plug	40157BR	1
3	lever (handle)	40140SS	1	21A	grease fitting (BS6x-200)	40158ST	1
4	link	40141SS	1	21B	set screw (BSS6x-200)	40178SS	1
5	belt link	40142SS	2	22	wave spring	40159SS	2
6	stem	40143SS	1	23	wave spring washer	40160SS	1
7	interlocking pin	40144SS	1	24A	NBR swivel O-ring (BS and BSS61-200)	40161BN	2
8	lock ring	40145SS	1	24B	FKM swivel O-ring (BS and BSS62-200)	40161VI	2
9	nose piece	40146HC	1	25A	NBR stem O-ring (BS and BSS61-200)	40162BN	1
10	poppet	40147CA	1	25B	FKM stem O-ring (BS and BSS62-200)	40162VI	1
11	coiled pin	40148SS	1	26A	NBR nose O-ring (BS and BSS61-200)	40163BN	1
12	bayonet stud	40149SS	3	26B	FKM nose O-ring (BS and BSS62-200)	40163VI	1
13A	NBR nose seal (BS61-200)	40150BN	1	27	cotter pin	40164SS	1
13B	FKM nose seal (BS62-200)	40150VI	1	28	front bearing strip	40165NY	1
14	jam nut	40151SS	3	29	bumper ring	40166VY	1
15	spring pin	40152SS	1	30	label	40161AL	1
16	grooved pin	40153SS	1	31	main body	---	1
17	rivet	40154SS	2	32	swivel body	---	1
18	lock nut	40155SS	1				

Repair Kits

Part #	Description	Includes Item #
BS61-200RK1	seal repair kit, NBR nose seal, spring pin, grooved pin, NBR swivel O-rings, NBR stem O-ring, NBR nose body O-ring, cotter pin, bearing strip, and bumper ring	13A, 15, 16, 24A, 25A, 26A, 27, 28, 29
BS62-200RK1	seal repair kit, FKM nose seal, spring pin, grooved pin, FKM swivel O-rings, FKM stem O-ring, FKM nose body O-ring, cotter pin, bearing strip, and bumper ring	13B, 15, 16, 25A, 25B, 26B, 27, 28, 29
BS61-200RK2	swivel seal repair kit, NBR swivel O-rings, and bearing strip	24A, 28
BS62-200RK2	swivel seal repair kit, FKM swivel O-rings, and bearing strip	24B, 28

Product instruction sheets and technical data can be viewed on our website at canada.dixonvalve.com

BA/BS/BSS-Series Bayonet Style Dry Disconnects 3" 90° and Straight Swivel Couplers



Product instruction sheets and technical data can be viewed on our website at canada.dixonvalve.com

BA/BS/BSS-Series Bayonet Style Dry Disconnects

3" 90° and Straight Swivel Couplers

The 90° swivel coupler (BS-Series) is illustrated on page 140
The straight swivel coupler (BSS-Series) uses the same components

3" Swivel Aluminum Coupler

Bill of Materials

BS6x-300 and BSS6x-300

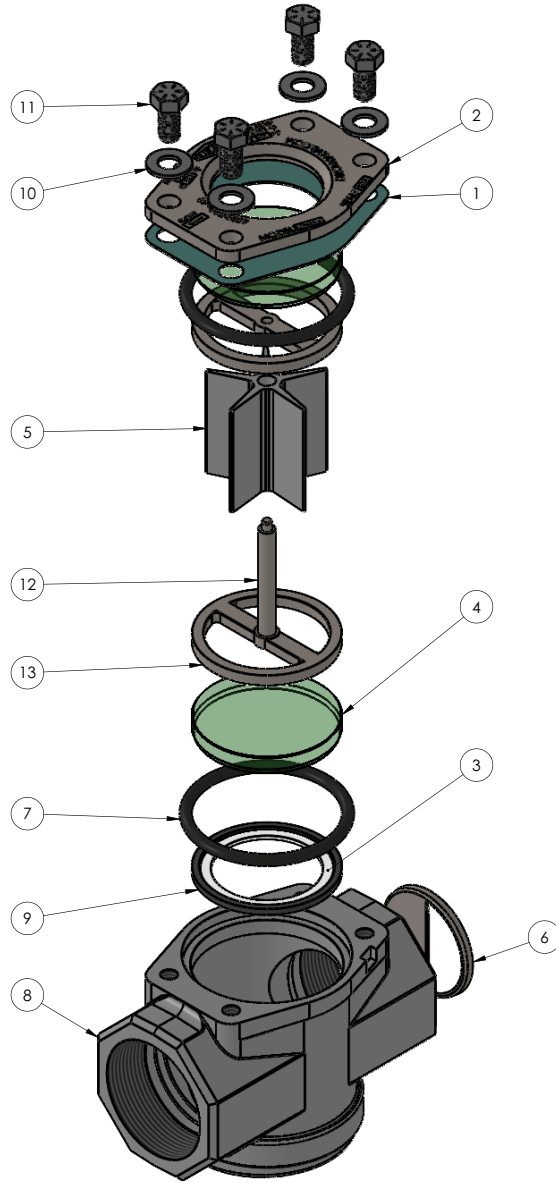
Item #	Description	Part #	Qty
1	cotter pin	40088SS	2
2	spring pin	40152SS	1
3	lock nut	40155SS	1
4	grease fitting	40158ST	1
5	label	40167AL	1
6	wave spring	40246SS	1
7	nose piece	40247HC	1
8	poppet	40248CA	1
9	bent link	40249SS	2
10	drive link	40250SS	1
11	clevis pin	40251SS	2
12	stem	40252SS	1
13	stem spacer	40253AL	1
14	lever (handle)	40254SS	1
15	interlock pin	40255SS	1
16	compression spring	40256SS	1
17	retaining ring	40257ST	1
18	compression spring	40258SS	3
19	eyelet	40259BR	3
20	spring pin	40260SS	1
21	lock ring	40261SS	1
22	bayonet stud	40262SS	3
23	lock washer	40263SS	3
24	nut	40264SS	3
25	bearing strip	40265NY	1
26	dust seal	40266FL	1
27	ball bearings	40267SS	27
28	ball plug	40268BR	1
29	bumper ring	40269VY	1
30	grip handle	40270SS	2
31	bolt	40271SS	4
32	lock nut	40272SS	4
33A	NBR nose seal	40273BN	1
33B	FKM nose seal	40273VI	1
34A	NBR nose body O-ring	40274BN	1
34B	FKM nose body O-ring	40274VI	2
35A	NBR stem O-ring	40275BN	1
35B	FKM stem O-ring	40275VI	1
36A	NBR quad ring	40276BN	1
36B	FKM quad ring	40276VI	1
37	main body	---	1
38	swivel body	---	1

Repair Kits

Part #	Description	Includes Item #
BS61-300RK1	seal repair kit, NBR nose seal, spring pin, NBR swivel O-rings, NBR stem O-ring, NBR nose body O-ring, cotter pin, bearing strip, and bumper ring	1, 2, 25, 29, 33A, 34A, 35A
BS62-300RK1	seal repair kit, FKM nose seal, spring pin, FKM swivel O-rings, FKM stem O-ring, FKM nose body O-ring, cotter pin, bearing strip, and bumper ring	1, 2, 25, 26, 29, 33B, 34B, 35B, 36B
BS61-300RK2	swivel seal repair kit, NBR swivel O-rings, and bearing strip	25, 26, 36A
BS62-300RK2	swivel seal repair kit, FKM swivel O-rings, and bearing strip	25, 26, 36B
BS62-300RK3	complete rebuild kit BS62-300	2, 6, 7, 13, 15, 16, 17, 18, 19, 20, 21, 22, 23, 24, 29, 33B, 34B, 35B

Product instruction sheets and technical data can be viewed on our website at canada.dixonvalve.com

DB14 and DB15-Series Breakaways



Bill of Materials

Item #	Description	Part #	Qty	Item #	Description	Part #	Qty
1	gasket	40612FI	1	9	seal	40615	1
2	cap	40611SS	1	10	washer	40610ST	4
3	spacer	40614TF	1	11	bolt	40609ST	4
4	sight glass	40616GL	2	12	shaft	40620SS	1
5	flywheel	40619	1	13	retaining bridge	40621SS	2
6	flow diverter	40618SS	1				
7	O-ring	40617	2				
8	body machined	40613SS	1				

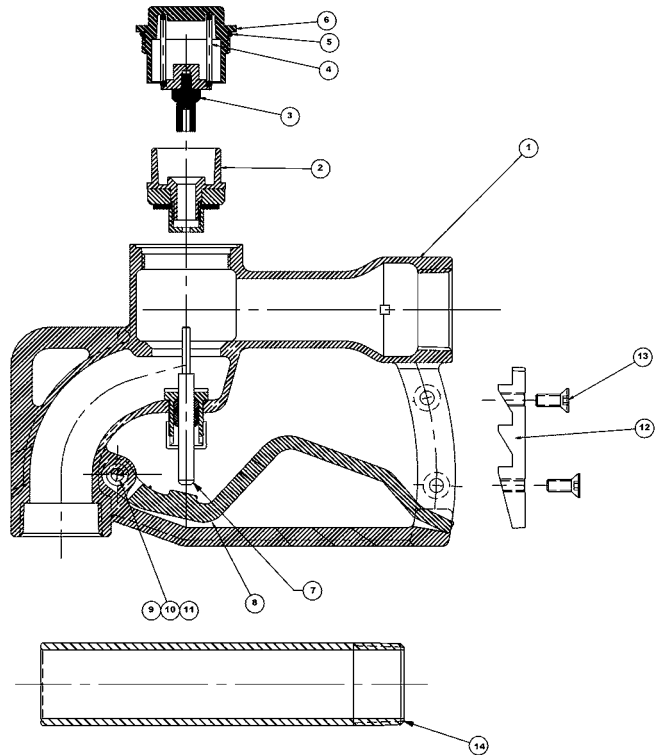
112D and 112DNS (1-1/2") Bulk Delivery Nozzles

Bill of Materials

Item #	Description	Part #	Qty
1	body	---	1
2	main poppet assembly	use kit 112DSK	1
3	secondary poppet assembly	use kit 112DSK	1
4	poppet spring	SPRG-L368	1
5	NBR cap O-ring	O-RING#132	1
6	bronze cap	112DAL-9	1
7	valve stem assembly	use kit 112DSK	1
8	trigger	use kit 114/2D-TK	1
9	trigger bushing	114DAL-10	1
10	trigger pin	PIN-L389-SS	1
11	trigger cotter pin	110746	1
12	ratchet plate	340164	1
13	ratchet plate screws	110798	2
14	spout	1125A	1

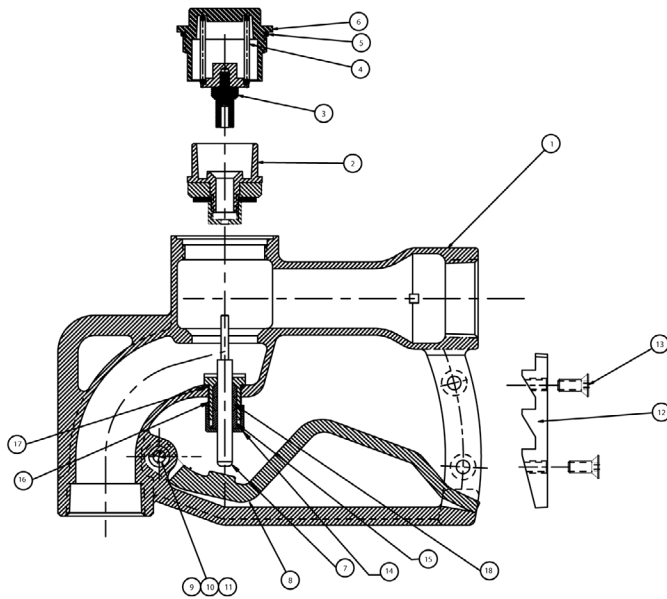
Repair Kits

Part #	Description	Includes Item #
112DSK	main poppet, 2nd poppet, cap O-ring, valve stem	2, 3, 5, 7
1125A	1-1/2" aluminum spout	14
1125B	1-1/2" brass spout (optional)	---
114/2D-TK	trigger, pin, cotter pin, bushing	8, 9, 10, 11
114DAL-AV-19	blank plate to replace ratchet plate if ratchet not required (optional)	---



114D and 114DNS (1-1/4") Bulk Delivery Nozzles

Bill of Materials



Item #	Description	Part #	Qty
1	body	---	1
2	main poppet assembly	use kit 114DSK	1
3	secondary poppet assembly	use kit 114DSK	1
4	poppet spring	SPRG-L368	1
5	NBR cap O-ring	O-RING-AS-129	1
6	bronze cap	114DAL-2	1
7	valve stem assembly	use kit 114DSK	1
8	trigger	use kit 114/2D-TK	1
9	trigger bushing	114DAL-10	1
10	trigger pin	PIN-L389-SS	1
11	trigger cotter pin	110746	1
12	ratchet plate	340164	1
13	ratchet plate screws	110798	2
14	aluminum spout	use kit 1143A	1
15	sleeve stem packing	SLVL358-1	1
16	valve stem guide and O-ring	use kit 114DSK	1
17	valve stem O-ring	O-RING-AS016	1
18	valve stem packing	STEMPACK-L360	2
19	valve stem nut	NUTL357-1	1

Repair Kits

Part #	Description	Includes Item #
114DSK	main and secondary poppets, cap O-ring, valve stem assembly and packing, sleeve stem packing, and nut	2, 3, 5, 7, 15, 16, 17, 18, 19
114/2D-TK	trigger, pin, bushing, and cotter pin	8, 9, 10, 11
1143A	aluminum spout	14
1143B	optional brass spout	replaces 14
114DAL-AV-19	optional blank plate to replace ratchet plate, if ratchet not desired	replaces 12

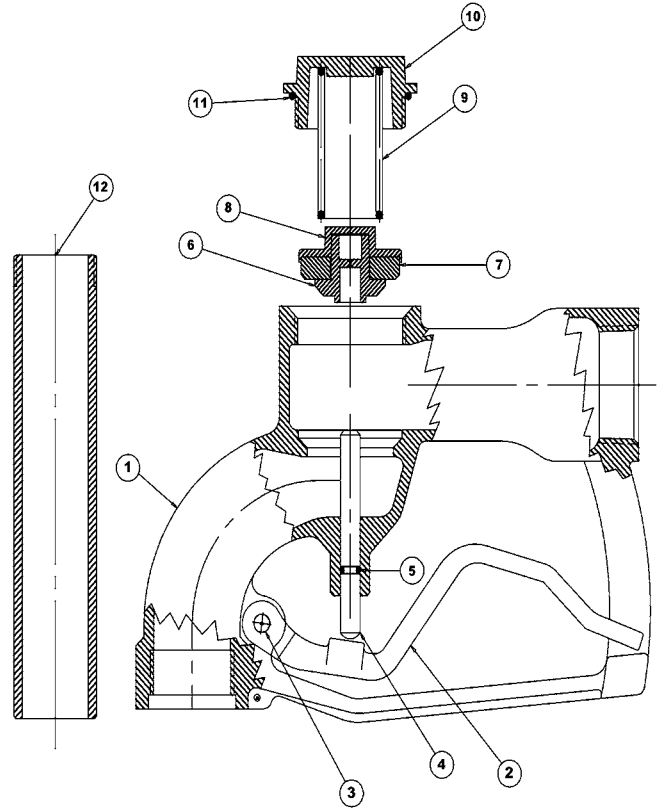
1250-94-Series Gravity Nozzles

Bill of Materials

Item #	Description	Part #	Qty
1	body	---	1
2	trigger	use kit 1250TK	1
3	trigger pin	use kit 1250TK	1
4	valve stem plunger	use kit 1250SK	1
5	plunger O-ring	500-7A2	1
6	valve base	use kit 1250SK	1
7	valve seal	use kit 1250SK	1
8	valve plate	use kit 1250SK	1
9	valve spring	SPRG-L368	1
10	aluminum cap	1250-2	1
11	NBR O-ring cap	O-RING#132	1
12	aluminum spout	1250-3	1

Repair Kits

Part #	Description	Includes Item #
1250TK	trigger, pin	2, 3
1250SK	plunger, O-rings, valve seal, valve base, valve plate	4, 5, 6, 7, 8, 11



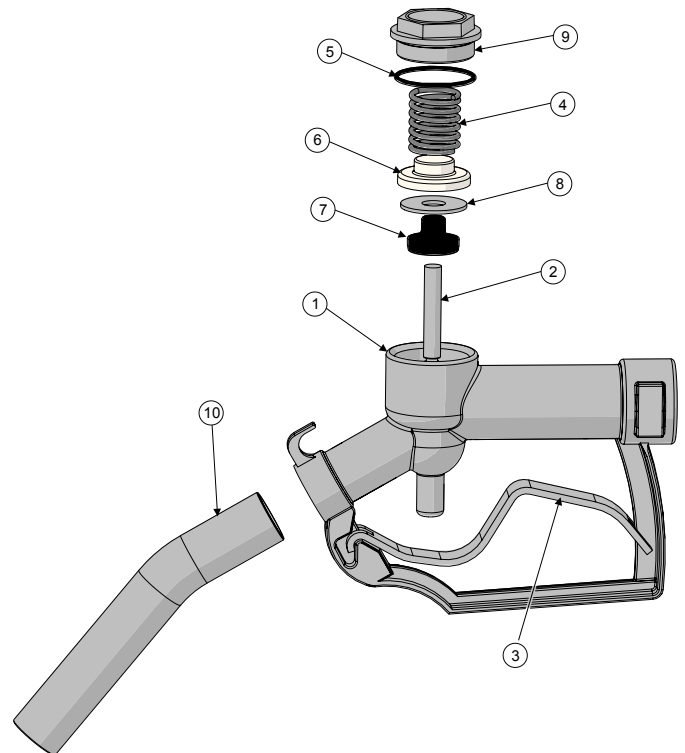
900-Series Utility Nozzles

Bill of Materials

Item #	Description	Part #	Qty
1	body	---	1
2	plunger	use kit 900SK	1
3	trigger	use kit 900TK	1
4	valve spring	SPRG-972	1
5	cap O-ring	112099	1
6	holder valve gasket	use kit 900SK	1
7	holder button gasket	use kit 900SK	1
8	valve seal	use kit 900SK	1
9	cap	875-3	1
10A	1" spout	875-4	1
10B	3/4" spout	234-80-4	1
10C	1" bent spout	875-5	1
10D	3/4" bent spout	234-80-5	1
not illustrated	3/4" FNPT inlet reducer	900RB	1

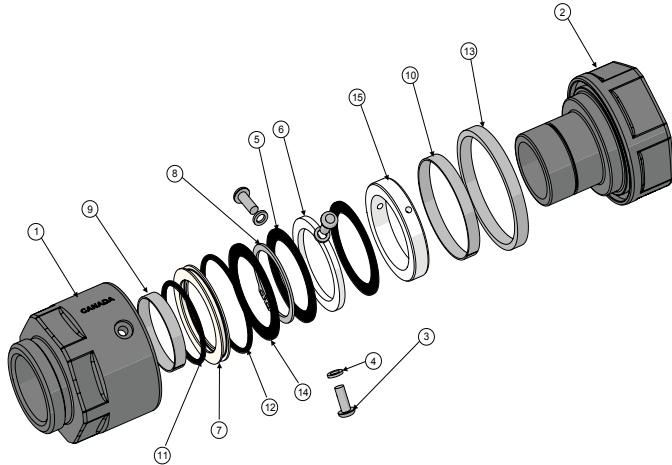
Repair Kits

Part #	Description	Includes Item #
900TK	trigger	3
900SK	plunger assembly, valve assembly, cap O-ring	2, 4, 5, 6, 7, 8, 9

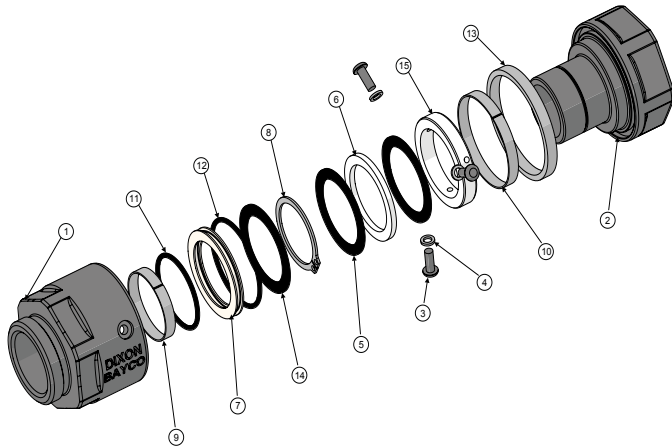


Product instruction sheets and technical data can be viewed on our website at canada.dixonvalve.com

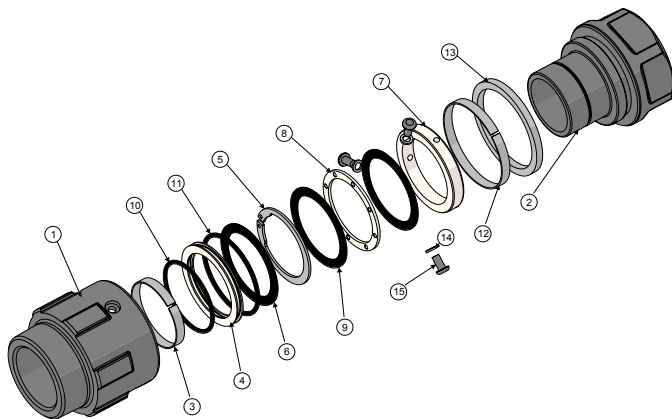
SWMF125, SWMF150, and SWMF200 Swivels



SWMF125



SWMF150



SWMF200

Bill of Materials SWMF125 and SWMF150

Item #	Description	Part #	Qty
1	female body	---	1
2	male body	---	1
3	screw	use kit SWMF-RK2	3
4	lock washer	use kit SWMF-RK2	3
5	thrust bearing	use kit SWMF-RK3	1
6	thrust washer	use kit SWMF-RK3	2
7	O-ring holder	use kit SWMF-RK2 or SWMF-RK3	1
8	retaining ring	use kit SWMF-RK3	1
9	front bearing	use kit SWMF-RK2 or SWMF-RK3	1
10	rear bearing	use kit SWMF-RK2 or SWMF-RK3	1
11	O-ring	use kit SWMF-RK2 or SWMF-RK3	1
12	O-ring	use kit SWMF-RK2 or SWMF-RK3	1
13	felt ring	use kit SWMF-RK2 or SWMF-RK3	1
14	support washer	use kit SWMF-RK3	1
15	support ring	use kit SWMF-RK3	1

Bill of Materials SWMF200

Item #	Description	Part #	Qty
1	female body	---	1
2	male body	---	1
3	front bearing	use kit SWMF-RK22 or SWMFRK32	3
4	O-ring holder	use kit SWMF-RK22 or SWMFRK32	3
5	retaining ring	use kit SWMF-RK32	1
6	support washer	use kit SWMF-RK32	1
7	support ring	use kit SWMF-RK32	1
8	thrust washer	use kit SWMF-RK32	2
9	thrust bearing	use kit SWMF-RK32	1
10	O-ring	use kit SWMF-RK22 or SWMFRK32	1
11	large O-ring	use kit SWMF-RK22 or SWMFRK32	1
12	rear bearing	use kit SWMF-RK22 or SWMFRK32	1
13	felt ring	use kit SWMF-RK22 or SWMFRK32	1
14	lock washer	use kit SWMF-RK32	3
15	screw	use kit SWMF-RK32	3

Repair Kits

Part #	Description	Includes Item #
SWMF-RK1	swivel grease nipple kit	---
SWMF-RK2	swivel seal and wear kit	3, 4, 7, 9, 10, 11, 12, 13
SWMF-RK3	complete swivel rebuild kit	3, 4, 5, 6, 7, 8, 9, 10, 11, 12, 13, 14, 15
SWMF-RK22	swivel seal and wear kit	3, 4, 10, 11, 12, 13
SWMF-RK32	complete rebuild kit	3, 4, 5, 6, 7, 8, 9, 10, 11, 12, 13, 14, 15

Product instruction sheets and technical data can be viewed on our website at canada.dixonvalve.com

Hose Shank and Check Valve Swivels

Check Valve NPT Swivel

Part #	Description
1280	1-1/4" MNPT x 1-1/4" FNPT
1580U	1-1/2" MNPT x 1-1/2" FNPT
1580R	1-1/4" MNPT x 1-1/2" FNPT

Hose x MNPT Swivel

Part #	Description
1265	1-1/4" MNPT x 1-1/4" hose shank
1565U	1-1/2" MNPT x 1-1/2" hose shank
1570	1-1/2" MNPT x 1-3/8" hose shank



Repair Kits

Part #	Description
1200SK	seal kit and retaining ring for 1280, 1265, and 1580R
1500SK	seal kit and retaining ring for 1565U, 1580U
1570RK	seal kit and retaining ring for 1570



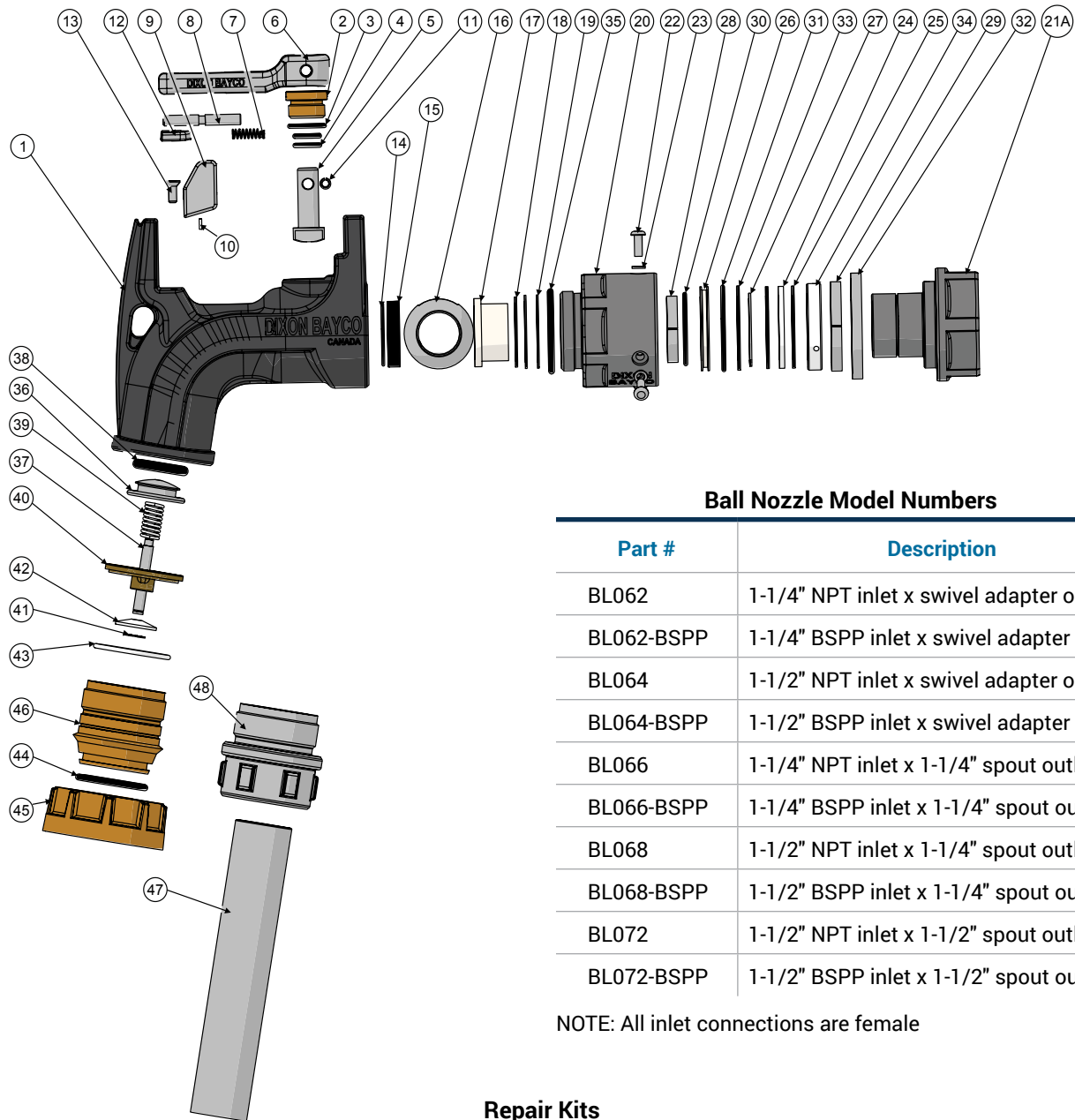
500AV and 525AV Angle Valves

Repair Kit

Part #	Description
500K	stem guide assembly, plunger assembly, O-ring, and cotter pin



BL Ball Nozzles



Ball Nozzle Model Numbers

Part #	Description
BL062	1-1/4" NPT inlet x swivel adapter outlet
BL062-BSPP	1-1/4" BSPP inlet x swivel adapter outlet
BL064	1-1/2" NPT inlet x swivel adapter outlet
BL064-BSPP	1-1/2" BSPP inlet x swivel adapter outlet
BL066	1-1/4" NPT inlet x 1-1/4" spout outlet
BL066-BSPP	1-1/4" BSPP inlet x 1-1/4" spout outlet
BL068	1-1/2" NPT inlet x 1-1/4" spout outlet
BL068-BSPP	1-1/2" BSPP inlet x 1-1/4" spout outlet
BL072	1-1/2" NPT inlet x 1-1/2" spout outlet
BL072-BSPP	1-1/2" BSPP inlet x 1-1/2" spout outlet

NOTE: All inlet connections are female

Repair Kits

Part #	Description	Includes Item #
SWMF-RK1	inlet swivel grease nipple kit (optional)	not illustrated
SWMF-RK2	inlet swivel seal and wear kit	22, 23, 26, 28, 29, 30, 31, 32
SWMF-RK3	complete inlet swivel rebuild kit	22, 23, 24, 25, 26, 27, 28, 29, 30, 31, 32, 33, 34
SWMF-RK4	1-1/2" FNPT replacement inlet swivel	20, 21B, 22 (3), 23 (3), 24, 25 (2), 26, 27, 28, 29, 30, 31, 32, 33, 34, 35
SWMF-RK5	1-1/4" FNPT replacement inlet swivel	20, 21A, 22 (3), 23 (3), 24, 25 (2), 26, 27, 28, 29, 30, 31, 32, 33, 34, 35
SWMF-RK6	1-1/2" BSPP replacement inlet swivel	20, 21C, 22 (3), 23 (3), 24, 25 (2), 26, 27, 28, 29, 30, 31, 32, 33, 34, 35
BL005	swivel outlet (BL062, BL064)	43, 44, 45, 46
BL-RK4	ball valve shaft seal kit	2, 3, 4, 5
BL-RK10	complete ball nozzle seal kit	3, 4, 14, 15, 17, 35, 38, 43, 44
BL-RK11	optional check valve 5 PSI spring kit	39B, 43
BL-RK12	standard check valve 3 PSI cartridge kit	36, 37, 38, 39A, 40, 41, 42, 43
BL-RK13	trigger kit	6, 7, 8, 9, 10, 11, 12, 13 (2)

Product instruction sheets and technical data can be viewed on our website at canada.dixonvalve.com

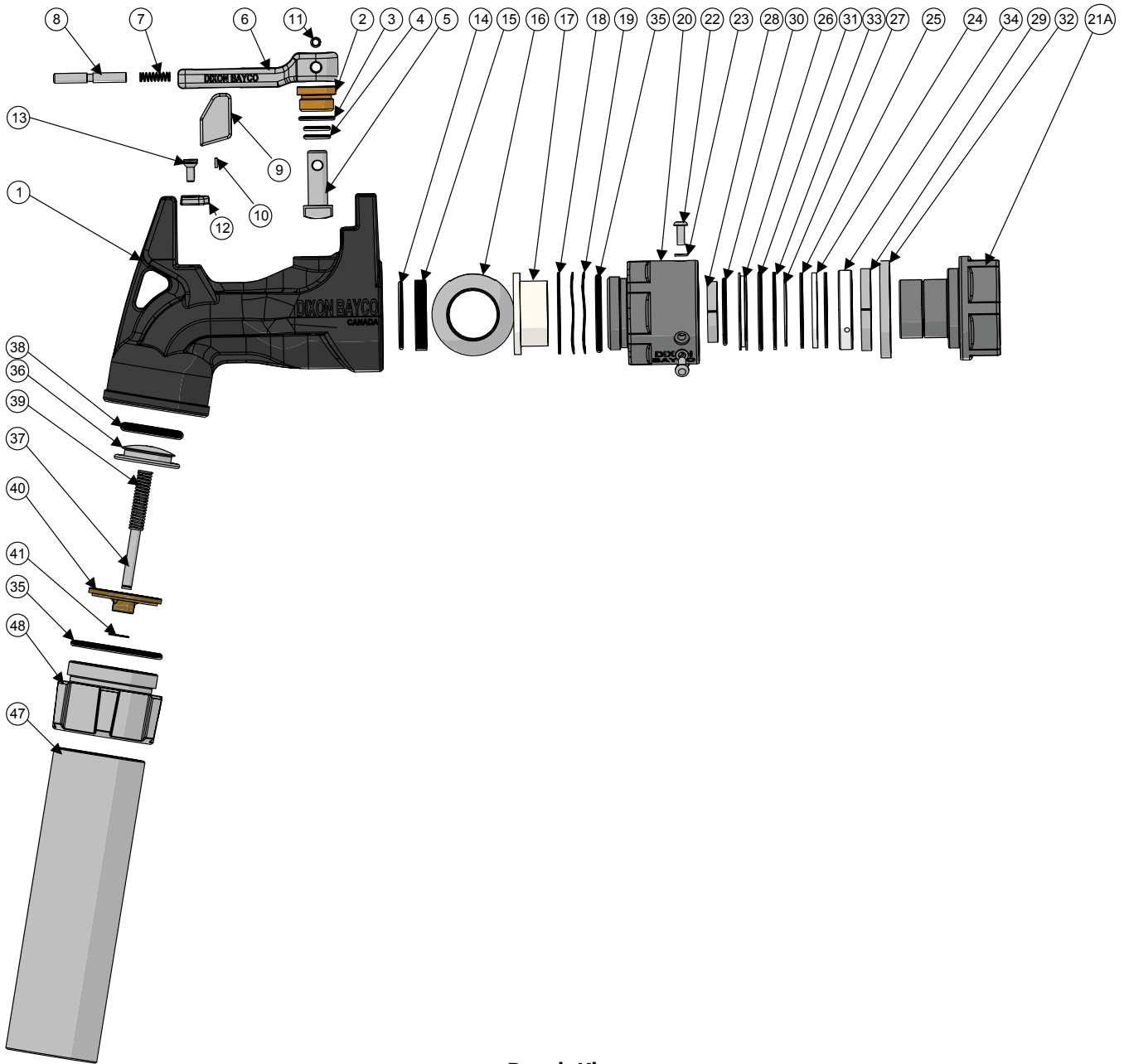
BL Ball Nozzles

Bill of Materials

Item #	Description	Part #	Qty
1	body	---	1
2	bronze guide shaft	use kit BL-RK4	1
3	O-ring	use kit BL-RK4 or BL-RK10	1
4	O-ring	use kit BL-RK4 or BL-RK10	2
5	shaft lever	use kit BL-RK4	1
6	lever	use kit BL-RK13	1
7	compression spring	use kit BL-RK13	1
8	shaft latch	use kit BL-RK13	1
9	latch	use kit BL-RK13	1
10	screw	use kit BL-RK13	1
11	pin	use kit BL-RK13	1
12	lever plate	use kit BL-RK13	1
13	screw	use kit BL-RK13	2
14	O-ring	use kit BL-RK10	1
15	seal	use kit BL-RK10	1
16	ball	BL062-2	1
17	ball seat	use kit BL-RK10	1
18	washer	111719	1
19	wave spring	110902	2
20	swivel body	use kit SWMF-RK4, SWMF-RK5 or SWMF-RK6	1
21A	swivel inlet 1-1/4" NPT	use kit SWMF-RK5	1
21B	swivel inlet 1-1/2" NPT	use kit SWMF-RK4	1
21C	swivel inlet 1-1/2" BSPP	use kit SWMF-RK6	1
22	screw	use kit SWMF-RK2, SWMF-RK3, SWMF-RK4, SWMF-RK5 or SWMF-RK6	3
23	lock washer	use kit SWMF-RK2, SWMF-RK3, SWMF-RK4, SWMF-RK5 or SWMF-RK6	3
24	thrust bearing	use kit SWMF-RK3, SWMF-RK4, SWMF-RK5 or SWMF-RK6	1
25	thrust washer	use kit SWMF-RK3, SWMF-RK4, SWMF-RK5 or SWMF-RK6	2
26	O-ring holder	use kit SWMF-RK2, SWMF-RK3, SWMF-RK4, SWMF-RK5 or SWMF-RK6	1
27	retaining ring	use kit SWMF-RK3, SWMF-RK4, SWMF-RK5 or SWMF-RK6	1
28	font bearing	use kit SWMF-RK2, SWMF-RK3, SWMF-RK4, SWMF-RK5 or SWMF-RK6	1
29	rear bearing	use kit SWMF-RK2, SWMF-RK3, SWMF-RK4, SWMF-RK5 or SWMF-RK6	1
30	O-ring	use kit SWMF-RK2, SWMF-RK3, SWMF-RK4, SWMF-RK5 or SWMF-RK6	1
31	O-ring	use kit SWMF-RK2, SWMF-RK3, SWMF-RK4, SWMF-RK5 or SWMF-RK6	1
32	dust seal	use kit SWMF-RK2, SWMF-RK3, SWMF-RK4, SWMF-RK5 or SWMF-RK6	1
33	support washer	use kit SWMF-RK3, SWMF-RK4, SWMF-RK5 or SWMF-RK6	1
34	support ring	use kit SWMF-RK3, SWMF-RK4, SWMF-RK5 or SWMF-RK6	1
35	O-ring	use kit SWMF-RK4, SWMF-RK5 or SWMF-RK6	1
36	poppet	use kit BL-RK12	1
37	stem	use kit BL-RK12	1
38	O-ring	use kit BL-RK10 or BL-RK12	1
39A	compression spring (3 PSI)	use kit BL-RK12	1
39B	compression spring (5 PSI)	use kit BL-RK11	1
40	bridge	use kit BL-RK12	1
41	retaining ring	use kit BL-RK12	1
42	washer	use kit BL005, BL-RK10, BL-RK11 or BL-RK12	1
43	O-ring	use kit BL005, BL-RK10 or BL-RK12	1
44	O-ring	use kit BL005	1
45	swivel nut	use kit BL005	1
46	swivel adapter	use kit BL005	1
47A	spout 1-1/4"	1143A	1
47B	spout 1-1/2"	1125A	1
48A	spout adapter 1-1/4" NPT	341703	1
48B	spout adapter 1-1/2" NPT	BL007	1

Product instruction sheets and technical data can be viewed on our website at canada.dixonvalve.com

BL Super Ball Nozzles
BL918, BL919, and BL920



Repair Kits

Part #	Description	Includes Item #
SWMF-RK1	inlet swivel grease nipple kit (optional)	not illustrated
SWMF-RK22	inlet swivel seal and wear kit	22, 23, 26, 28, 29, 30, 31, 32
SWMF-RK32	complete inlet swivel rebuild kit	22, 23, 24, 25, 26, 27, 28, 29, 30, 31, 32, 33, 34
SWMF-RK42	2" FNPT replacement inlet swivel	20, 21A, 22 (3), 23 (3), 24, 25 (2), 26, 27, 28, 29, 30, 31, 32, 33, 34, 35
SWMF-RK52	1-1/2" FNPT replacement inlet swivel	20, 21B, 22 (3), 23 (3), 24, 25 (2), 26, 27, 28, 29, 30, 31, 32, 33, 34, 35
BL-RK42	ball valve shaft seal kit	2, 3, 4, 5
BL-RK102	complete ball nozzle seal kit	3, 4, 14, 15, 17, 35, 38
BL-RK112	optional check valve 5 PSI spring kit	35, 39B
BL-RK122	standard check valve 3 PSI cartridge kit	35, 36, 37, 38, 39, 40, 41
BL-RK13	trigger kit	6, 7, 8, 9, 10, 11, 12, 13 (2)

Product instruction sheets and technical data can be viewed on our website at canada.dixonvalve.com

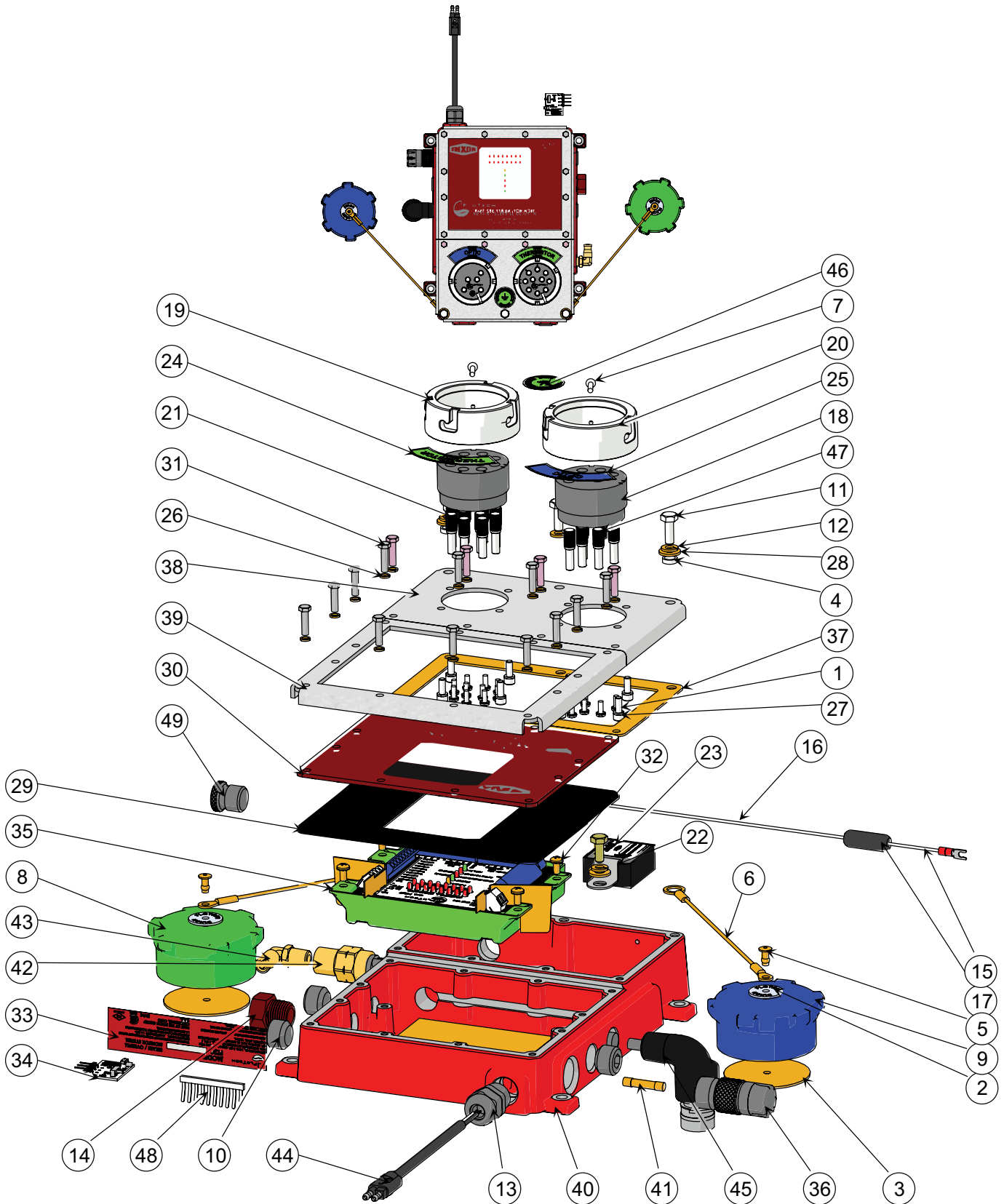
BL Super Ball Nozzles

Bill of Materials

Item #	Description	Part #	Qty
1	body	---	1
2	bronze guide shaft	use kit BL-RK42	1
3	O-ring	use kit BL-RK42 or BL-RK102 (includes item 35)	2
4	O-ring	use kit BL-RK42 or BL-RK102 (includes item 35)	1
5	shaft lever	use kit BL-RK42	1
6	lever	use kit BL-RK13	1
7	compression spring	use kit BL-RK13	1
8	shaft latch	use kit BL-RK13	1
9	latch	use kit BL-RK13	1
10	screw	use kit BL-RK13	1
11	pin	use kit BL-RK13	1
12	lever plate	use kit BL-RK13	1
13	screw	use kit BL-RK13	2
14	O-ring	use kit BL-RK102	1
15	seal	use kit BL-RK102	1
16	ball	112091	1
17	ball seat	use kit BL-RK102	1
18	washer	112092	1
19	wave spring	112090	2
20	swivel body	use kit SWMF-RK42 or SWMF-RK52	1
21A/21B	swivel inlet	use kit SWMF-RK42 or SWMF-RK52	1
22	screw	use kit SWMF-RK22, SWMF-RK42 or SWMF-RK52	3
23	lock washer	use kit SWMF-RK22, SWMF-RK42 or SWMF-RK52	3
24	thrust bearing	use kit SWMF-RK42 or SWMF-RK52	1
25	thrust washer	use kit SWMF-RK42 or SWMF-RK52	2
26	O-ring holder	use kit SWMF-RK22, SWMF-RK32, SWMF-RK42 or SWMF-RK52	1
27	retaining ring	use kit SWMF-RK32 (includes items 22, 23, 24, 25, 33, 34), SWMF-RK42 or SWMF-RK52	1
28	front bearing	use kit SWMF-RK22, SWMF-RK32, SWMF-RK42 or SWMF-RK52	1
29	rear bearing	use kit SWMF-RK22, SWMF-RK32, SWMF-RK42 or SWMF-RK52	1
30	O-ring	use kit SWMF-RK22, SWMF-RK32, SWMF-RK42 or SWMF-RK52	1
31	O-ring	use kit SWMF-RK22, SWMF-RK32, SWMF-RK42 or SWMF-RK52	1
32	dust seal	use kit SWMF-RK22, SWMF-RK32, SWMF-RK42 or SWMF-RK52	1
33	support washer	use kit SWMF-RK42 or SWMF-RK52	1
34	support ring	use kit SWMF-RK42 or SWMF-RK52	1
35	O-ring	use kit SWMF-RK42 or SWMF-RK52	1
36	poppet	use kit BL-RK122	1
37	stem	use kit BL-RK122	1
38	O-ring	use kit BL-RK102 (includes item 35) or BL-RK122	1
39A/39B	compression spring	use kit BL-RK112 or BL-RK122	1
40	bridge	use kit BL-RK122	1
41	retaining ring	use kit BL-RK122	1
47A/47B	spout	391137 (2")/1125A (1-1/2")	1
48A/48B	spout adapter	341780 (NPT)/341781 (BSPP)	1

Product instruction sheets and technical data can be viewed on our website at canada.dixonvalve.com

FT208-39xP-Series Plug-n-Play Monitors with Integrated Dual Sockets



Product instruction sheets and technical data can be viewed on our website at canada.dixonvalve.com

Plug-n-Play Monitors with Integrated Dual Sockets

Bill of Materials

Quantity of Components Per Unit

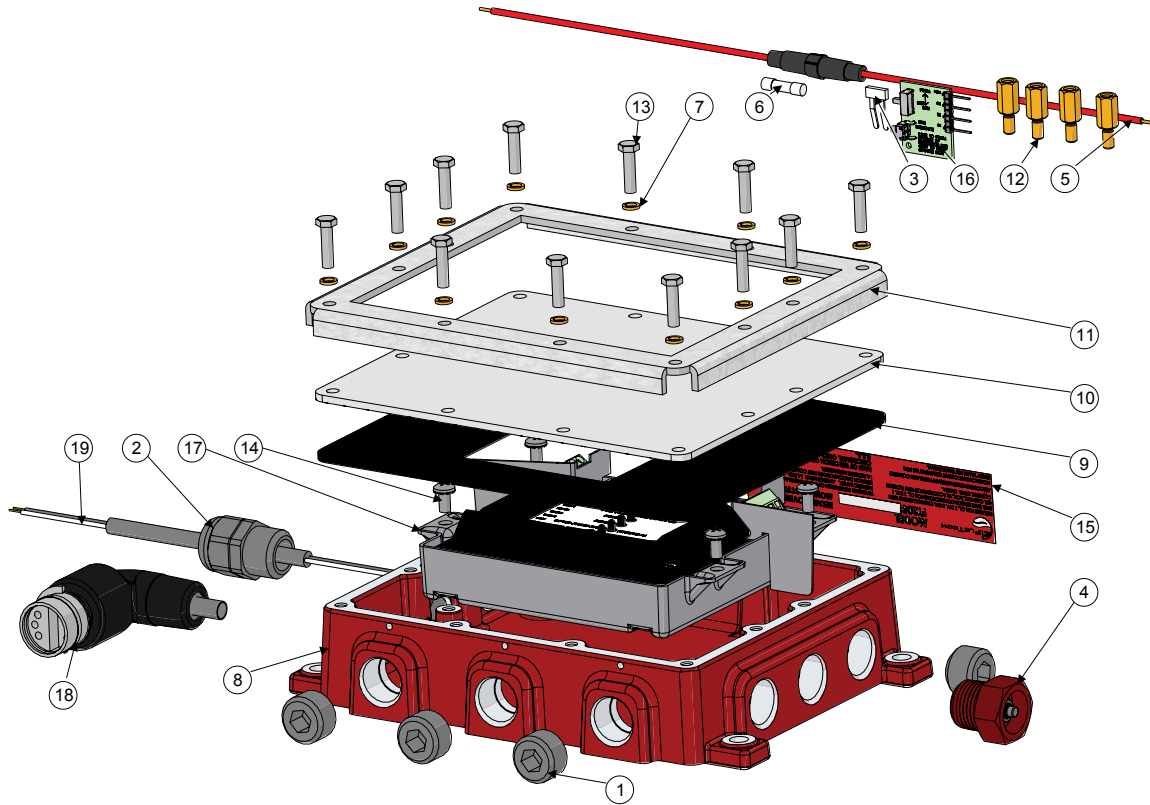
Item #	Description	Part #	Quantity of Components Per Unit																								
			FT208-390P	FT208-390PG	FT208-390PGS	FT208-390PGSO	FT208-390PGST	FT208-390PGSTO	FT208-390PGT	FT208-390PP	FT208-390PPG	FT208-390PPGS	FT208-390PPGSO	FT208-390PPGST	FT208-390PPGSTO	FT208-390PPGT	FT208-391P	FT208-391PG	FT208-391PGS	FT208-391PGST	FT208-391PGT	FT208-391PGT	FT208-391PP	FT208-391PPG	FT208-391PPGS	FT208-391PPGST	FT208-391PPGT
1	stainless steel screw	10086	15	15	15	15	15	15	15	15	15	15	15	15	15	15	15	15	15	15	15	15	15	15	15	15	15
2	aluminum name plate - socket washer	use kit FT320 or FT321	2	2	2	2	2	2	2	2	2	2	2	2	2	2	2	2	2	2	2	2	2	2	2	2	2
3	aluminum washer 2.500" x .0625"	use kit FT320 or FT321	2	2	2	2	2	2	2	2	2	2	2	2	2	2	2	2	2	2	2	2	2	2	2	2	2
4	stainless steel spacer	10089	2	2	2	2	2	2	2	2	2	2	2	2	2	2	2	2	2	2	2	2	2	2	2	2	2
5	aluminum rivet .1875"	use kit FT320 or FT321	2	2	2	2	2	2	2	2	2	2	2	2	2	2	2	2	2	2	2	2	2	2	2	2	2
6	stainless steel cable - socket 8"	use kit FT320 or FT321	2	2	2	2	2	2	2	2	2	2	2	2	2	2	2	2	2	2	2	2	2	2	2	2	2
7	stainless steel screw - contact block	10094	2	2	2	2	2	2	2	2	2	2	2	2	2	2	2	2	2	2	2	2	2	2	2	2	2
8	vinyl dust cap - thermistor (green)	use kit FT321	1	1	1	1	1	1	1	1	1	1	1	1	1	1	1	1	1	1	1	1	1	1	1	1	1
9	vinyl dust cap - optic (blue)	use kit FT320	1	1	1	1	1	1	1	1	1	1	1	1	1	1	1	1	1	1	1	1	1	1	1	1	1
10	polypropylene pipe plug	10103	4	4	4	4	4	4	3	3	3	3	3	3	3	3	3	3	3	3	3	3	3	3	3	3	3
11	stainless steel screw	10110	4	4	4	4	4	4	4	4	4	4	4	4	4	4	4	4	4	4	4	4	4	4	4	4	4
12	stainless steel lock washer	10111	4	4	4	4	4	4	4	4	4	4	4	4	4	4	4	4	4	4	4	4	4	4	4	4	4
13	polyamide strain relief	10139	--	--	1	--	1	--	--	1	--	1	--	1	--	1	--	1	--	1	--	1	--	1	--	1	--
14	reset switch assy	10200A	1	1	1	1	1	1	1	1	1	1	1	1	1	1	1	1	1	1	1	1	1	1	1	1	1
15	ground wire assembly	10735-002	--	1	1	1	1	1	--	1	1	--	1	1	--	1	1	1	1	--	1	1	1	1	1	1	1
16	ground wire assembly	10735-002	--	1	1	1	1	1	--	1	1	--	1	1	--	1	1	1	1	--	1	1	1	1	1	1	1
17	ground wire assembly	10735-002	--	1	1	1	1	1	--	1	1	--	1	1	--	1	1	1	1	--	1	1	1	1	1	1	1
18	plastic contact block - socket short	10254	2	2	2	2	2	2	2	2	2	2	2	2	2	2	2	2	2	2	2	2	2	2	2	2	2
19	stainless steel ring 4 J-slot	10366SS-001 (was FT9044)	1	1	1	1	1	1	1	1	1	1	1	1	1	1	1	1	1	1	1	1	1	1	1	1	1
20	stainless steel ring 3 J-slot	10366SS-002 (was FT9043)	1	1	1	1	1	1	1	1	1	1	1	1	1	1	1	1	1	1	1	1	1	1	1	1	1
21	stainless steel socket pin - short	10368SS (was FT9061)	15	15	15	15	15	15	15	15	15	15	15	15	15	15	15	15	15	15	15	15	15	15	15	15	15
22	ground wire assembly	10735-002	--	1	1	1	1	1	--	1	1	--	1	1	--	1	1	1	1	--	1	1	1	1	1	1	1
23	Trailer Identification Module	10372	--	--	--	1	1	--	--	--	1	1	--	--	--	1	1	--	--	--	1	1	--	--	--	1	1
24	aluminum name plate - thermistor	10373AL	1	1	1	1	1	1	1	1	1	1	1	1	1	1	1	1	1	1	1	1	1	1	1	1	1
25	aluminum name plate - optic	10374AL	1	1	1	1	1	1	1	1	1	1	1	1	1	1	1	1	1	1	1	1	1	1	1	1	1
26	stainless steel lock washer	10375SS	24	24	24	24	24	24	24	24	24	24	24	24	24	24	24	24	24	24	24	24	24	24	24	24	24
27	stainless steel screw	10376SS	8	8	8	8	8	8	8	8	8	8	8	8	8	8	8	8	8	8	8	8	8	8	8	8	8
28	stainless steel washer	10382SS	2	2	2	2	2	2	2	2	2	2	2	2	2	2	2	2	2	2	2	2	2	2	2	2	2
29	neoprene gasket	10432NP (was FT9045)	1	1	1	1	1	1	1	1	1	1	1	1	1	1	1	1	1	1	1	1	1	1	1	1	1
30	acrylic bezel	10433PL	1	1	1	1	1	1	1	1	1	1	1	1	1	1	1	1	1	1	1	1	1	1	1	1	1
31	stainless steel screw	10436SS	16	16	16	16	16	16	16	16	16	16	16	16	16	16	16	16	16	16	16	16	16	16	16	16	16
32	stainless steel screw - sems	10437SS	4	4	4	4	4	4	4	4	4	4	4	4	4	4	4	4	4	4	4	4	4	4	4	4	4
33	chrome mylar label	10438A	1	1	1	1	1	1	1	1	1	1	1	1	1	1	1	1	1	1	1	1	1	1	1	1	1
34	programming board assembly	10459 (was FT9035)	1	1	1	1	1	1	1	1	1	1	1	1	1	1	1	1	1	1	1	1	1	1	1	1	1
35	potted OBM	10465	1	1	1	1	1	1	1	1	1	1	1	1	1	1	1	1	1	1	1	1	1	1	1	1	1
36	fuse holder assembly	10596PLAC	1	1	1	1	1	1	1	1	1	1	1	1	1	1	1	1	1	1	1	1	1	1	1	1	1
37	cork gasket - lid	10597CK	1	1	1	1	1	1	1	1	1	1	1	1	1	1	1	1	1	1	1	1	1	1	1	1	1
38	aluminum faceplate	10598AL	1	1	1	1	1	1	1	1	1	1	1	1	1	1	1	1	1	1	1	1	1	1	1	1	1
39	aluminum frame	10599AL	1	1	1	1	1	1	1	1	1	1	1	1	1	1	1	1	1	1	1	1	1	1	1	1	1
40	aluminum housing	10600AL	1	1	1	1	1	1	1	1	1	1	1	1	1	1	1	1	1	1	1	1	1	1	1	1	1
41	glass fuse 1/2" amp	10601	1	1	1	1	1	1	1	1	1	1	1	1	1	1	1	1	1	1	1	1	1	1	1	1	1
42	brass pressure switch	10602BR	--	--	1	1	1	--	--	--	1	1	1	--	--	--	1	1	--	--	--	1	1	--	--	--	1
43	brass dot air brake swivel fitting	10603BR	--	--	1	1	1	--	--	--	1	1	1	--	--	--	1	1	--	--	--	1	1	--	--	--	1
44	power wire Plug-n-Play	10612	--	--	--	1	--	--	--	--	1	--	--	--	--	1	--	--	--	--	--	1	--	--	--	--	--
45	OBM plug elbow assy (Plug-n-Play)	10616SSBN	1	1	1	1	1	1	2	2	2	2	2	2	2	1	1	1	1	1	1	2	2	2	2	2	2
46	aluminum label - ground bolt	10621AL	1	1	1	1	1	1	1	1	1	1	1	1	1	1	1	1	1	1	1	1	1	1	1	1	1
47	plastic black button insert	BLACK BUTTON INSERT	6	6	6	6	6	6	6	6	6	6	6	6	6	6	6	6	6	6	6	6	6	6	6	6	6
48	jumper cross connector	10196	1	1	--	--	--	1	1	--	--	--	1	1	--	--	1	1	--	--	--	1	1	--	--	--	1
49	acetal plug	10606AC-002	1	1	--	--	--	1	1	1	--	--	--	1	1	1	--	--	--	--	1	1	1	--	--	--	1

Repair Kits

Part #	Description	Includes Item #
FT320	blue (optic) vinyl cap assembly	2, 3, 5, 6, 9
FT321	green (thermistor) vinyl cap assembly	2, 3, 5, 6, 8
FT9051	contact assembly for FT390/393 optic 5 pin	1, 7, 18, 21
FT9052	contact assembly for FT390/393 thermistor 10 pin	1, 7, 18, 21
FT9062	nose ring contact assbly, thermistor 4 J-slot, 10 pin	1, 7, 18, 19, 21
FT9063	nose ring contact assembly, optic 3 J-slot, 6 pin	1, 7, 18, 20, 21
FT9068	contact block attachment screws and washers (4 each)	26, 27

Product instruction sheets and technical data can be viewed on our website at canada.dixonvalve.com

FT208P-Series Plug-n-Play Stand Alone Monitors



Bill of Materials

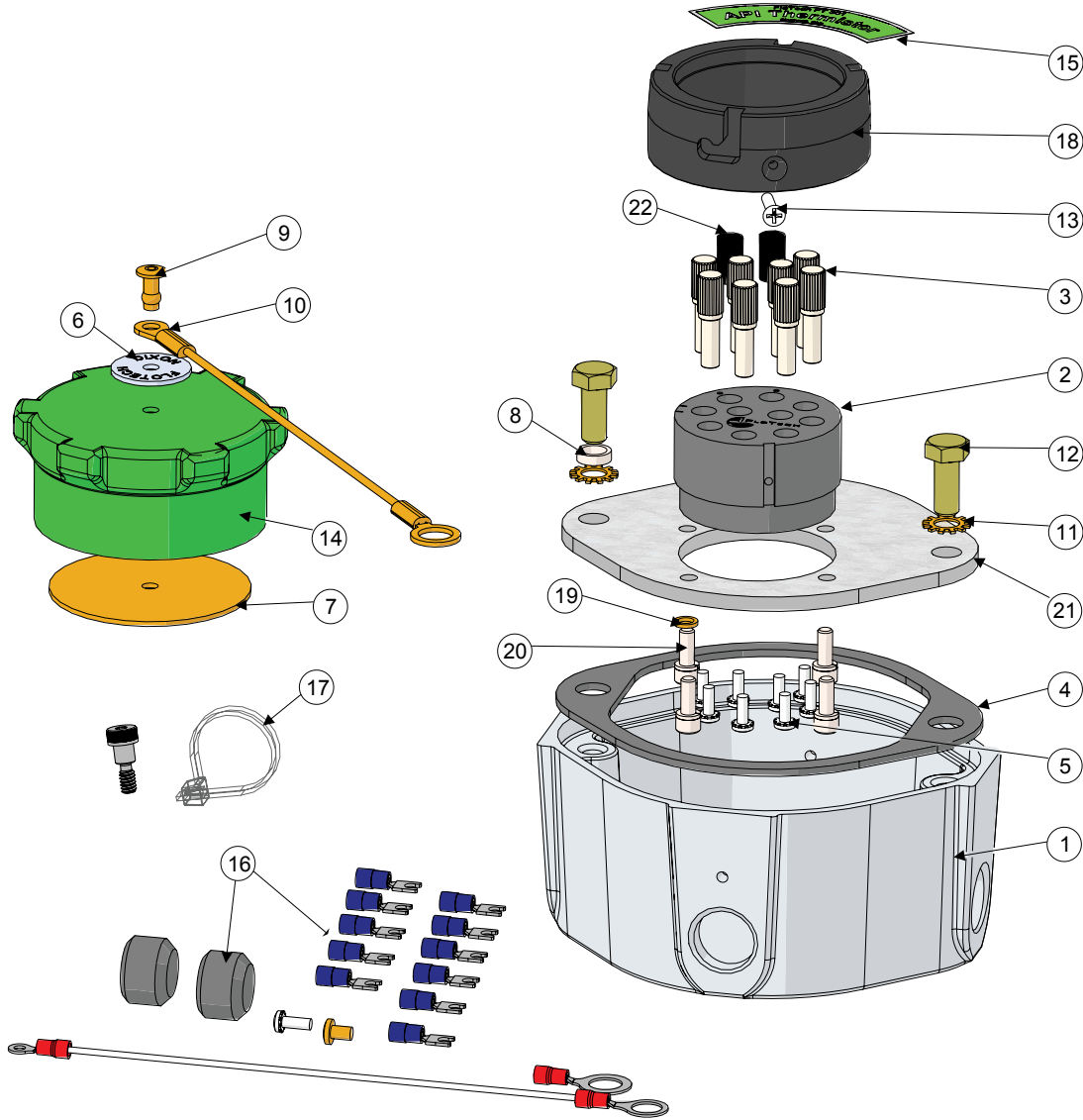
Item #	Description	Part #	FT208P	FT208PP	FT208PPC
1	polypropylene pipe plug	10103	6	4	3
2	polyamide strain relief	10139	1	1	2
3	jumper-cross connector	10196	1	1	1
4	reset switch assembly	10200A	1	1	1
5	plastic fuse holder	10356	1	1	1
6	brass/glass fuse-1/2" amp	10358 (was FT9039)	1	1	1
7	stainless steel lock washer	10375SS	12	12	12
8	aluminum box	10430AL	1	1	1
9	neoprene gasket	10432NP (was FT9045)	1	1	1
10	acrylic bezel	10433PL	1	1	1
11	aluminum frame	10434AL	1	1	1
12	aluminum standoff (old style boxes)	10435AL	4	4	---
13	stainless steel screw	10436SS	12	12	12
14	stainless steel screw-stems	10437SS	4	4	4
15	chrome mylar label	10438A	1	1	1
16	programming board assembly	10459 (was FT9035)	1	1	1
17	potted OBM	10465	1	1	1
18	OBM plug elbow assy (Plug-n-Play)	10616SSBN	1	3	3
19	power cable	10639	1	1	---

Repair Kits

Part #	Description	Includes Item #
FT9036	lid, bezel, screws and lockwashers	7, 9, 10, 11, 13
FT9040	checkmate housing with lid	1, 7-14

Product instruction sheets and technical data can be viewed on our website at canada.dixonvalve.com

Plug-n-Play Stand Alone Sockets FT300P and FT301P



Repair Kits

Part #	Description	Includes Item #
FT320	blue (optic) vinyl cap assembly	6, 7, 9, 10, 14B
FT321	green (thermistor) vinyl cap assembly	6, 7, 9, 10, 14A
FT310	face plate assembly-API optic ALH wear ring 6 pin 3 J-slot (US)	2-16, 18-22
FT310SS	face plate assembly-API optic SS GFL wear ring 6 pin 3 J-slot (US)	2-16, 18-22
FT311	face plate assembly-API thermistor ALH wear ring 8 pin 4 J-slot (US)	2-22
FT311SS	face plate assembly-API thermistor SS GFL wear ring 8 pin 4 J-slot (US)	2-22
FT9008	contact block for FT300 optic	2, 3, 5, 13
FT9009	contact block for FT301 thermistor	2, 3, 5, 13
FT9013	faceplate 4 J-slot (without contact block or hardware)	4, 15B, 18A, 19-21
FT9020	socket pin, screw and crimp lug	3, 5
FT9034	3 J-slot (without contact block and hardware)	4, 15A, 18B, 19-21
FT9046	socket contact pins and screws	3, 5
FT9068	contact block attachment screws and washers (4 each)	19, 20
0387P-OP, 10387P-TH	wiring harness (Plug-n-Play) 20'	Refer to page 154 for image
10605PL	plastic clip	Refer to page 154 for image

Product instruction sheets and technical data can be viewed on our website at canada.dixonvalve.com

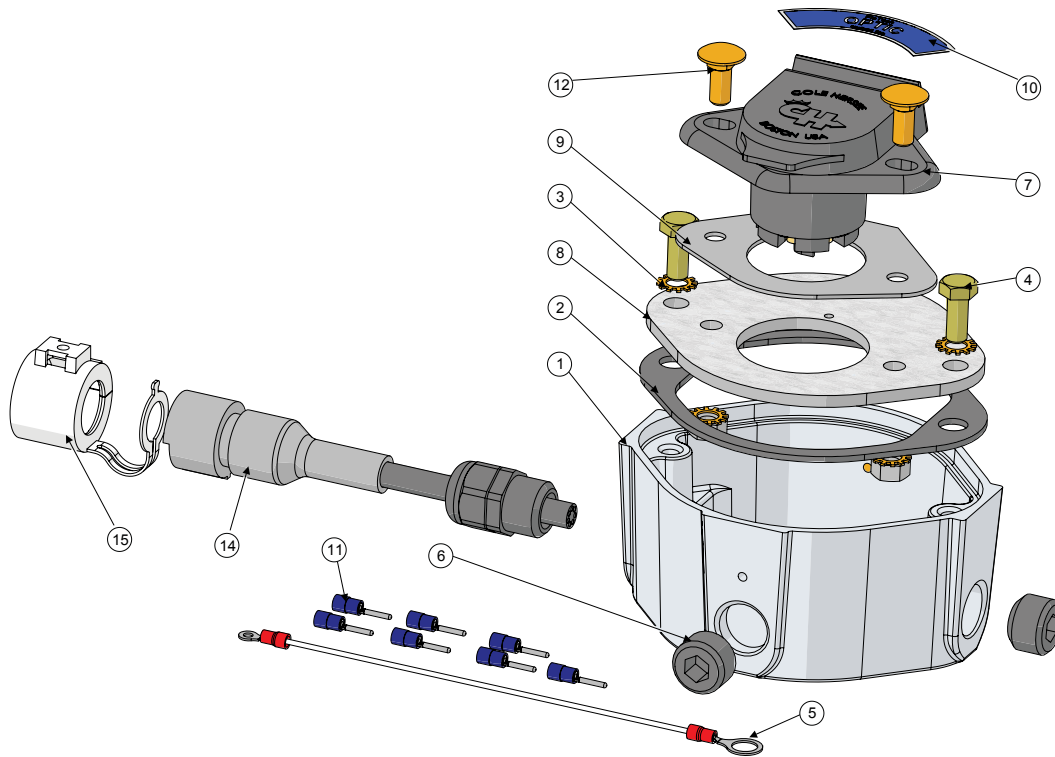
Plug-n-Play Stand Alone Sockets FT300P and FT301P

Bill of Materials

Item #	Description	Part #	FT300P	FT301P	FT310	FT310SS	FT311	FT311SS
1	aluminum housing	10031 (was FT9007)	1	1	---	---	---	---
2	plastic contact block	10690PL-001	1	1	1	1	1	1
3	stainless steel socket pin	10368SS	6	8	6	6	8	8
4	neoprene gasket	10038 (was FT9032)	1	1	1	1	1	1
5	stainless steel screw	10086	6	8	6	6	8	8
6	aluminum name plate-socket washer	use cap kit FT320 or FT321	1	1	1	1	1	1
7	aluminum washer 2.500" x .0625"	use cap kit FT320 or FT321	1	1	1	1	1	1
8	stainless steel spacer	10089	1	1	1	1	1	1
9	aluminum rivet .1875"	use cap kit FT320 or FT321	1	1	1	1	1	1
10	stainless steel cable-socket 8"	use cap kit FT320 or FT321	1	1	1	1	1	1
11	stainless steel lock washer	10092	2	2	2	2	2	2
12	stainless steel screw	10093	2	2	2	2	2	2
13	stainless steel screw-contact block	10094	1	1	1	1	1	1
14A	vinyl dust cap-thermistor (green)	use cap kit FT321	---	1	---	---	1	1
14B	vinyl dust cap-optic (blue)	use cap kit FT320	1	---	1	1	---	---
15A	aluminum name plate-FT300	10099	1	---	1	1	---	---
15B	aluminum name plate-FT301	10100	---	1	---	---	1	1
16	assembly hardware	10106	1	1	1	1	1	1
17	nylon clamp assembly	10264	---	1	---	---	1	1
18A	ALH wear ring-4 J-slot	10366HC-001 (was FT9042)	---	1	---	---	1	---
18B	ALH wear ring-3 J-slot	10366HC-002 (was FT9041)	1	---	1	---	---	---
18C	stainless steel wear ring-4 J-slot	10366SS-001 (was FT9044)	---	---	---	---	---	1
18D	stainless steel wear ring-3 J-slot	10366SS-002 (was FT9043)	---	---	---	1	---	---
19	stainless steel lock washer	10375SS	4	4	4	4	4	4
20	stainless steel screw	10376SS	4	4	4	4	4	4
21	aluminum socket plate	10431AL	1	1	1	1	1	1
22	plastic black button insert	BLACK BUTTON INSERT	6	6	6	6	6	6
23	wiring harness (Plug-n-Play) 20'	10387P-20	1	1	---	---	---	---
24	plastic clip	10605PL	1	1	---	---	---	---

Product instruction sheets and technical data can be viewed on our website at canada.dixonvalve.com

Plug-n-Play Stand Alone Sockets FT306P-5



Bill of Materials

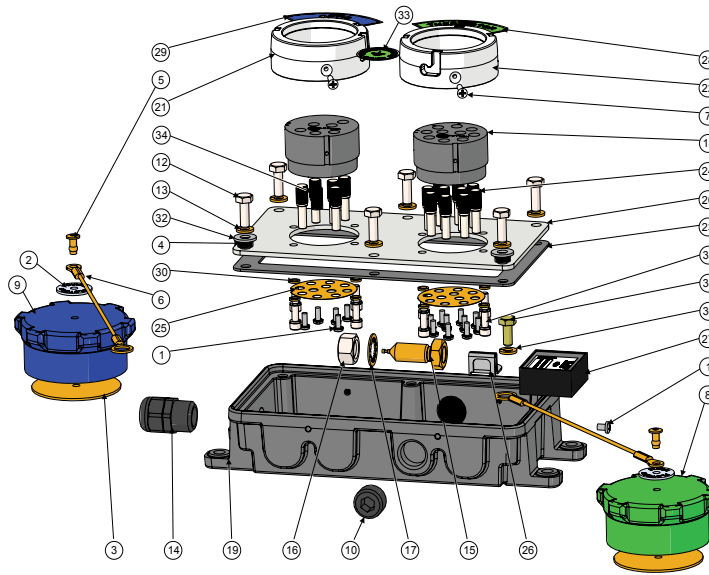
Item #	Description	Part #	FT208P	FT208PPC
1	aluminum housing	10031 (was FT9007)	1	---
2	neoprene gasket	10038 (was FT9032)	1	1
3	stainless steel lock washer	10092	4	4
4	stainless steel screw	10093	2	2
5	wire, assembly, socket	10095	1	1
6	polypropylene pipe plug	10103	2	2
7	J560 type socket	10119 (was FT9029)	1	1
8	aluminum face plate	10120	1	1
9	neoprene gasket	10121	1	1
10	aluminum name plate-optic	10235	1	1
11	terminal pin	10123	7	7
12	stainless steel carriage bolt	10507SS	2	2
13	stainless steel nut	10508SS	2	2
14	wiring harness (Plug-n-Play) 20'	10387P-20	1	---
15	plastic clip	10605PL	1	---

Repair Kit

Part #	Description	Includes Item #
FT316	face plate assembly-optic J560 socket	2-13

Product instruction sheets and technical data can be viewed on our website at canada.dixonvalve.com

Plug-n-Play Stand Alone Sockets FT390PG-20



Bill of Materials

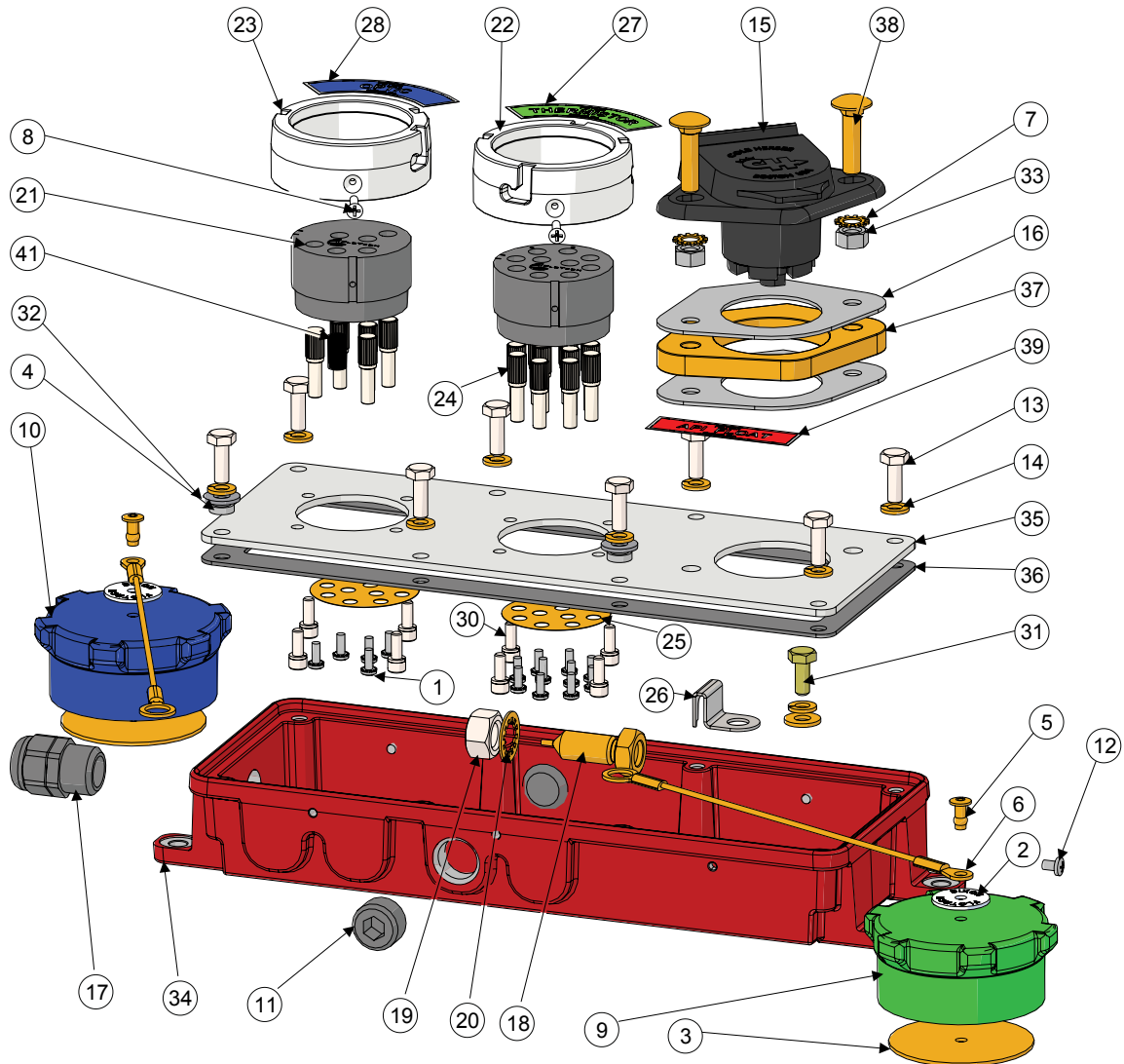
Item #	Description	Part #	Qty	Item #	Description	Part #	Qty
1	stainless steel screw	10086	16	16	stainless steel lock washer internal tooth	10225	1
2	aluminum name plate-socket washer	use kit FT320 or FT321	2	17	plastic contact block-socket short	10254	2
3	aluminum washer 2.500" x .0625"	use kit FT320 or FT321	2	18	aluminum box-dual socket	10364AL-001	1
4	stainless steel spacer	10089	2	19	aluminum faceplate-dual socket	10365AL	1
5	aluminum rivet .1875"	use kit FT320 or FT321	2	20	stainless steel socket-thermistor	10366SS-001	1
6	stainless steel cable-socket 8"	use kit FT320 or FT321	2	21	stainless steel socket-optic	10366SS-002	1
7	stainless steel screw-contact block	10094	2	22	cork gasket-lid	10367CK	1
8	vinyl dust cap-green	use kit FT321	1	23	stainless steel socket pin-short	10368SS (was FT9061)	16
9	vinyl dust cap-blue	use kit FT320	1	24	vinyl label-socket contact	10369VY	2
10	polypropylene pipe plug	10103	2	25	stainless steel bracket-ground bolt	10370SS	1
11	steel screw-plug	10105	3	26	aluminum name plate-thermistor	10373AL	1
12	stainless steel screw	10110	6	27	aluminum name plate-optic	10374AL	1
13	stainless steel lock washer-1/4"	10111	7	28	stainless steel lock washer	10375SS	8
14	stainless steel ground bolt	10223	1	29	stainless steel screw	10376SS	8
15	stainless steel nut-ground bolt 1/2"-13	10224	1	30	stainless steel screw	10377SS	1
				31	stainless steel washer	10382SS	2
				32	wiring harness (Plug-n-Play) 20'	10387P-20	1
				33	plastic clip	10605PL	1
				34	aluminum label-ground bolt	10621AL	1
				35	plastic black button insert	BLACK BUTTON INSERT	6

Repair Kits

Part #	Description	Includes Item #
FT320	blue (optic) vinyl cap assembly	2, 3, 5, 6, 9
FT321	green (thermistor) vinyl cap assembly	2, 3, 5, 6, 8
FT9051	contact block assembly for FT390/FT393 optic 5 pin	1, 7, 17, 23, 24
FT9052	contact block assembly for FT390/FT393 thermistor 10 pin	1, 7, 17, 23, 24
FT9062	nose ring, contact assembly, thermistor 4 J-slot, 10 pin	1, 7, 17, 20, 23, 24
FT9063	nose ring, contact assembly, optic 3 J-slot, 6 pin	1, 7, 17, 21, 23, 24
FT9068	contact block attachment screws and washers (4 each)	28, 29

Product instruction sheets and technical data can be viewed on our website at canada.dixonvalve.com

Plug-n-Play Stand Alone Sockets FT394P and FT395P-Series



Repair Kits

Part #	Description	Includes Item #
FT320	blue (optic) vinyl cap assembly	2, 3, 5, 6, 10
FT321	green (thermistor) vinyl cap assembly	2, 3, 5, 6, 9
FT9051	contact block assembly for FT390/FT393 optic 5 pin	1, 8, 21, 24, 25
FT9052	contact block assembly for FT390/FT393 thermistor 10 pin	1, 8, 21, 24, 25
FT9062	nose ring contact assembly, thermistor 4 J-slot, 10 pin	1, 8, 21, 22, 24, 25
FT9063	nose ring contact assembly, optic 3 J-slot, 6 pin	1, 8, 21, 23, 24, 25
FT9068	contact block attachment screws and washers (4 each)	29, 30

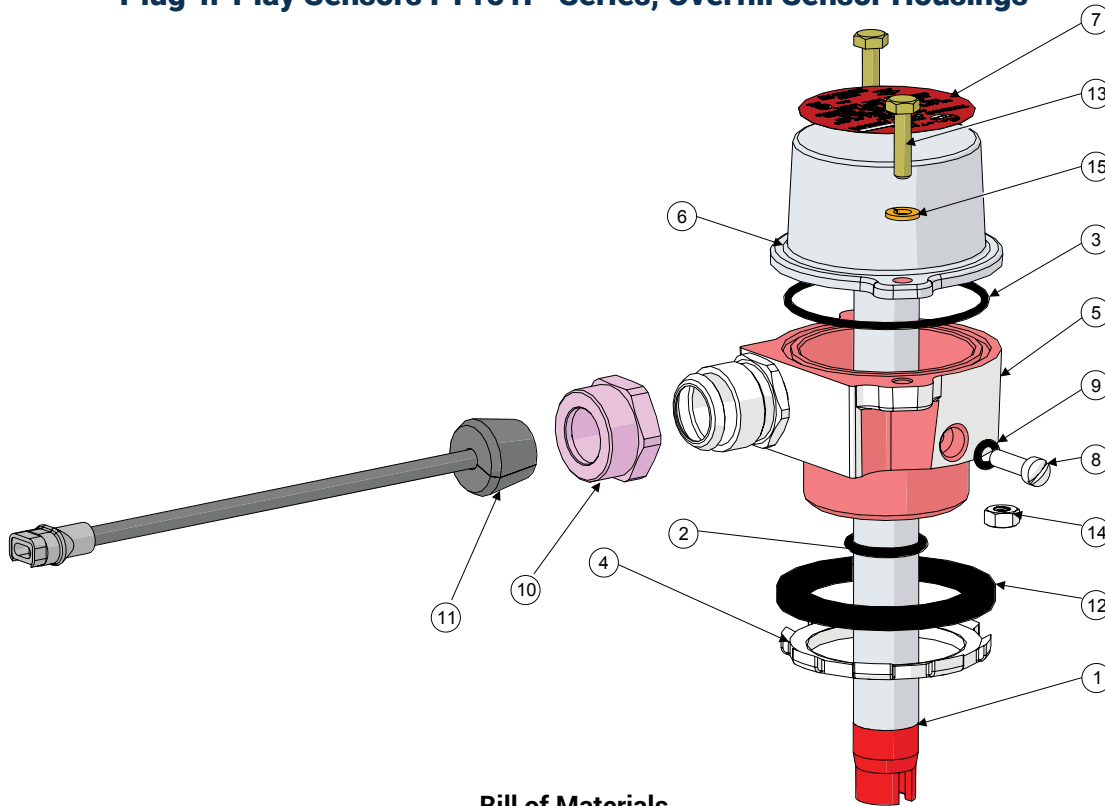
Product instruction sheets and technical data can be viewed on our website at canada.dixonvalve.com

Plug-n-Play Stand Alone Sockets FT394P and FT395P-Series
Bill of Materials

Item #	Description	Part #	FT394P	FT394VP	FT394PG	FT394VPG	FT395PG-20
1	stainless steel screw	10086	16	16	16	16	16
2	aluminum name plate-socket washer	10087	2	2	2	2	2
3	aluminum washer 2.500" x .0625"	use kit FT320 or FT321	2	2	2	2	2
4	stainless steel spacer	use kit FT320 or FT321	2	2	2	2	2
5	aluminum rivet .1875"	use kit FT320 or FT321	2	2	2	2	2
6	stainless steel cable-socket 8"	use kit FT320 or FT321	2	2	2	2	2
7	stainless steel lock washer	10092	2	2	2	2	2
8	stainless steel screw-contact block	10094	2	2	2	2	2
9	vinyl dust cap-thermistor (green)	use kit FT321	1	1	1	1	1
10	vinyl dust cap-optic (blue)	use kit FT320	1	1	1	1	1
11	polypropylene pipe plug	10103	2	2	2	2	2
12	steel screw-plug	10105	4	4	4	4	4
13	stainless steel screw	10110	8	8	8	8	8
14	stainless steel lock washer-1/4"	10111	9	9	9	9	9
15	J560 socket	10119 (was FT9029)	1	1	1	1	1
16	neoprene gasket, float socket	10121	2	2	2	2	2
17	polyamide strain relief	10139	1	1	1	1	1
18	stainless steel ground bolt	10223	---	---	1	1	---
19	stainless steel nut-ground bolt 1/2"-13	10224	---	---	1	1	---
20	stainless steel lock washer internal tooth	10225	---	---	1	1	---
21	plastic contact block-socket short	10254	2	2	2	2	2
22	stainless steel wear ring-4 J-slot	10366SS-001 (was FT9044)	1	1	1	1	2
23	stainless steel wear ring-3 J-slot	10366SS-002 (was FT9043)	1	1	1	1	n/a
24	stainless steel socket pin-short	10368SS (was FT9061)	16	16	16	16	16
25	vinyl label-socket contact	10369VY	2	2	2	2	2
26	stainless steel bracket-ground bolt	10370SS	1	1	1	1	1
27	aluminum name plate-thermistor	10373AL	1	1	1	1	1
28	aluminum name plate-optic	10374AL	1	1	1	1	1
29	stainless steel lock washer	10375SS	8	8	8	8	8
30	stainless steel screw	10376SS	8	8	8	8	8
31	stainless steel screw	10377SS	1	1	1	1	1
32	stainless steel washer	10382SS	2	2	2	2	2
33	stainless steel nut	10508SS	2	2	2	2	2
34	aluminum box-3 socket	10525AL	1	1	1	1	1
35	aluminum faceplate-3 socket	10526AL	1	1	1	1	1
36	cork gasket-lid	10527CK	1	1	1	1	1
37	acetal spacer	10529AC	1	1	1	1	1
38	stainless steel carriage bolt	10530SS	2	2	2	2	2
39	aluminum name plate-optic (blue)	10558AL	1	1	1	1	1
40	aluminum label - ground bolt	10621AL	---	---	1	1	---
41	plastic black button insert	BLACK BUTTON INSERT	6	6	6	6	6
42	wiring harness (Plug-n-Play) 20'	10387P-20	1	1	1	1	1
43	plastic clip	10605PL	1	1	1	1	1

Product instruction sheets and technical data can be viewed on our website at canada.dixonvalve.com

Plug-n-Play Sensors FT151P-Series, Overfill Sensor Housings



Bill of Materials

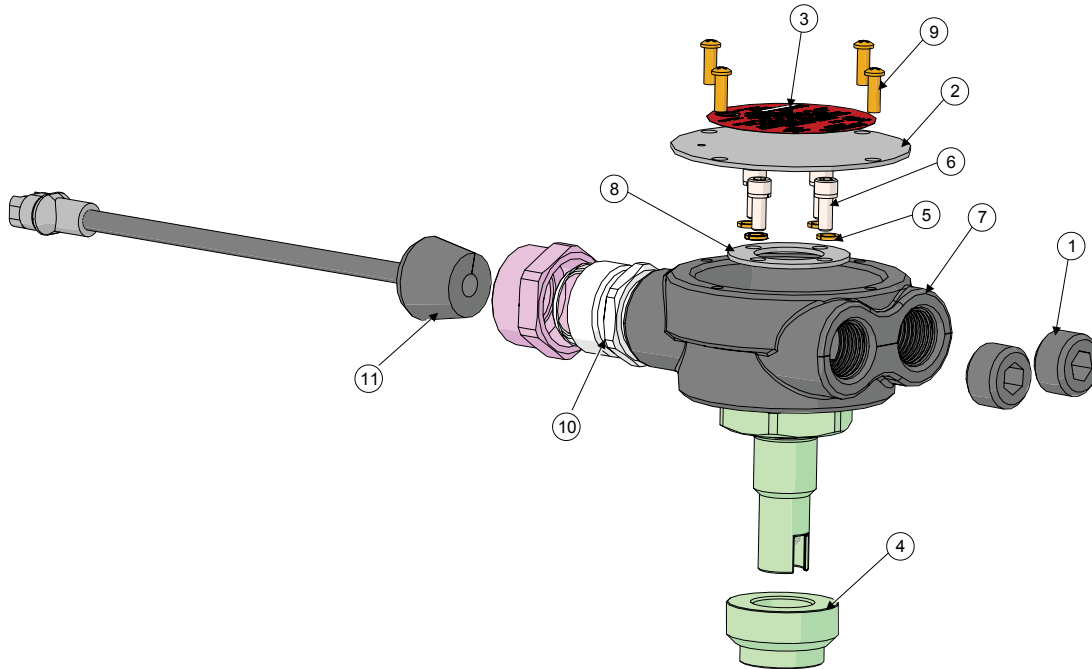
Item #	Description	Part #	Qty
1	assembly sensor, thermistor-optic	10109-PP	1
2	O-ring	10125	1
3	O-ring	10126	1
4	lock nut	10128	1
5	sensor housing	10183-P&P	1
6	sensor housing cap	10185	1
7	label	10204	1
8	screw with nylon insert	10212	1
9	O-ring	10213	1
10	cord grip assembly	10248	1
11	bushing	10638	1
12	gasket	250-G-BU	1
13	screw	10841SS	2
14	nut	10124	2
15	lock washer-1/4"	10111	2

Repair Kits

Part #	Description	Includes Item #
FT150P	Plug-n-Play overfill detection probe-7"	1
FT150-12P	Plug-n-Play overfill detection probe-12"	1
FT150-18P	Plug-n-Play overfill detection probe-18"	1
FT9000P	complete Plug-n-Play sensor housing (without probe)	2-14
FT9001	sensor housing gasket and O-ring kit	5, 6, 7, 13
FT9011	sensor housing cap with screws and lock washers	3, 9, 13, 14

Product instruction sheets and technical data can be viewed on our website at canada.dixonvalve.com

**Plug-n-Play Sensors
FT152P Retain Sensor Housings**



Bill of Materials

Item #	Description	Part #	Qty
1	polypropylene pipe plug	10103	2
2	aluminum retain sensor lid	10134	1
3	mylar label-retain sensor	10343	1
4	aluminum threaded collar	10347 (was FT9050)	1
5	stainless steel lock washer	10375SS	4
6	stainless steel screw	10376SS	4
7	nylon retain sensor housing	10471NY-P&P	1
8	aluminum back-up plate	10476AL	1
9	stainless steel screw	10477SS	4
10	aluminum cord grip assembly	10248	1
11	rubber bushing	10638	1

Repair Kit

Part #	Description	Includes Item #
FT9068	contact block attachment screws and washers (4 each)	5, 6

NOTE: Probe is not replaceable, if probe needs replacing, a complete FT152P needs to be ordered

Product instruction sheets and technical data can be viewed on our website at canada.dixonvalve.com

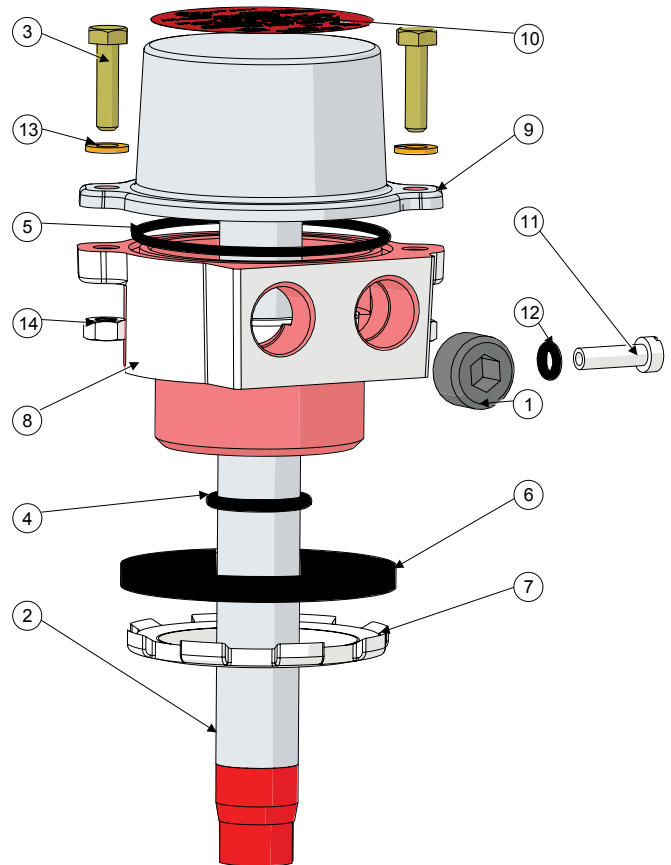
FT101, FT151, and FT202-Series Overfill Sensor Housings

Bill of Materials

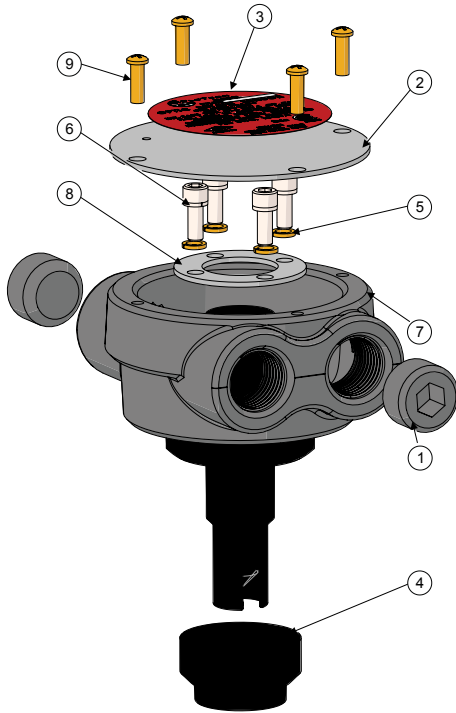
Item #	Description	Part #	Qty
1	pipe plug	10103	1
2	assembly, sensor 5 wire	10107A	1
3	screw	10841SS	2
4	O-ring	10125	1
5	O-ring	10126	1
6	gasket	250-G-BU	1
7	lock nut	10128	1
8	sensor housing	10183	1
9	sensor housing cap	10185	1
10	label-retain sensor	10203	1
11	screw with nylon insert	10212	1
12	O-ring	10213	1
13	lock washer-1/4"	10111	2
14	nut	10124	2

Repair Kits

Part #	Description	Includes Item #
FT100	5 wire overfill detection probe, 7"	2
FT100-12	5 wire overfill detection probe, 12"	2
FT100-18	5 wire overfill detection probe, 18"	2
FT150	black and white 2 wire overfill detection probe, 7"	2
FT150-12	black and white 2 wire overfill detection probe, 12"	2
FT150-18	black and white 2 wire overfill detection probe, 18"	2
FT201	red and black 2 wire overfill detection probe, 7"	2
FT201-12	red and black 2 wire overfill detection probe, 12"	2
FT201-18	red and black 2 wire overfill detection probe, 18"	2
FT9000	complete sensor housing (without probe)	1, 3-13
FT9001	sensor housing gasket and O-ring kit	5-7, 13
FT9002	sensor housing gasket, O-ring and hardware kit	1, 3-8, 12, 13
FT9011	sensor housing cap with screws and lock washers	3, 9, 13, 14



FT152 and FT206 Retain Sensor Housings



Bill of Materials

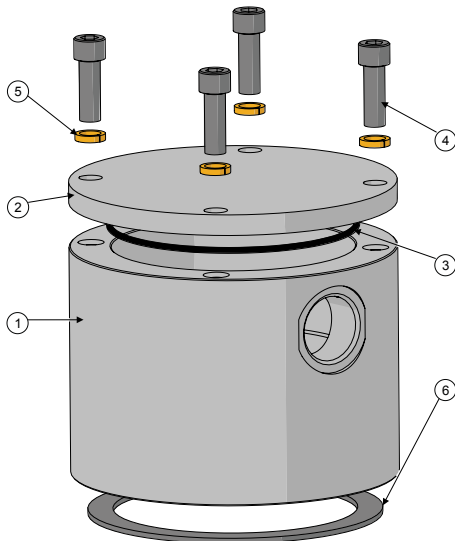
Item #	Description	Part #	Qty
1	polypropylene pipe plug	10103	2
2	aluminum retain sensor lid	10134	1
3	mylar label-retain sensor	10343	1
4	aluminum threaded collar	10347 (was FT9050)	1
5	stainless steel lockwasher	10375SS	4
6	stainless steel screw	10376SS	4
7	nylon retain sensor housing	10471NY	1
8	aluminum back-up plate	10476AL	1
9	stainless steel screw	10477SS	4

Repair Kits

Part #	Description	Includes Item #
FT9055	hardware kit	2, 3
FT9068	contact block attachment screws and washers (4 each)	5, 6

NOTE: Probe is not replaceable

FT191S Overfill Sensor Housings



Bill of Materials

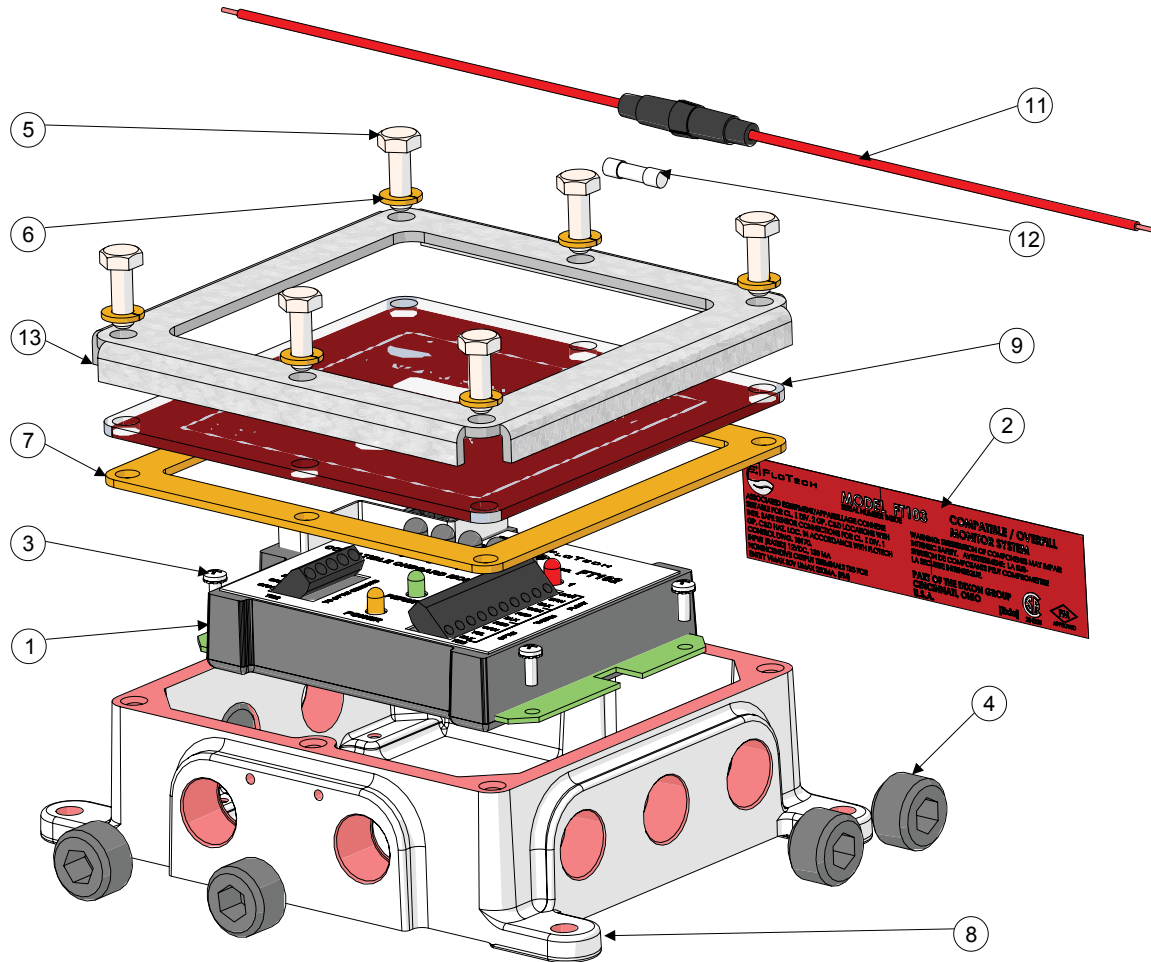
Item #	Description	Part #	Qty
1	3" stainless steel NPSM housing	10540SS	1
2	aluminum housing lid	10541AL	1
3	NBR O-ring	10542BN	1
4	stainless steel screw	10554SS	4
5	stainless steel lock washer	40099SS	4
6	PTFE gasket	40190TF	1

Stainless Steel Probes

Part #	Description
FT100S	5 wire overfill detection, 316 stainless steel probe only, 7"
FT150S	black and white 2 wire overfill detection, 316 stainless steel probe only, 7"

Product instruction sheets and technical data can be viewed on our website at canada.dixonvalve.com

FT102/FT103 5 Wire, API Optic Onboard Monitors



Bill of Materials

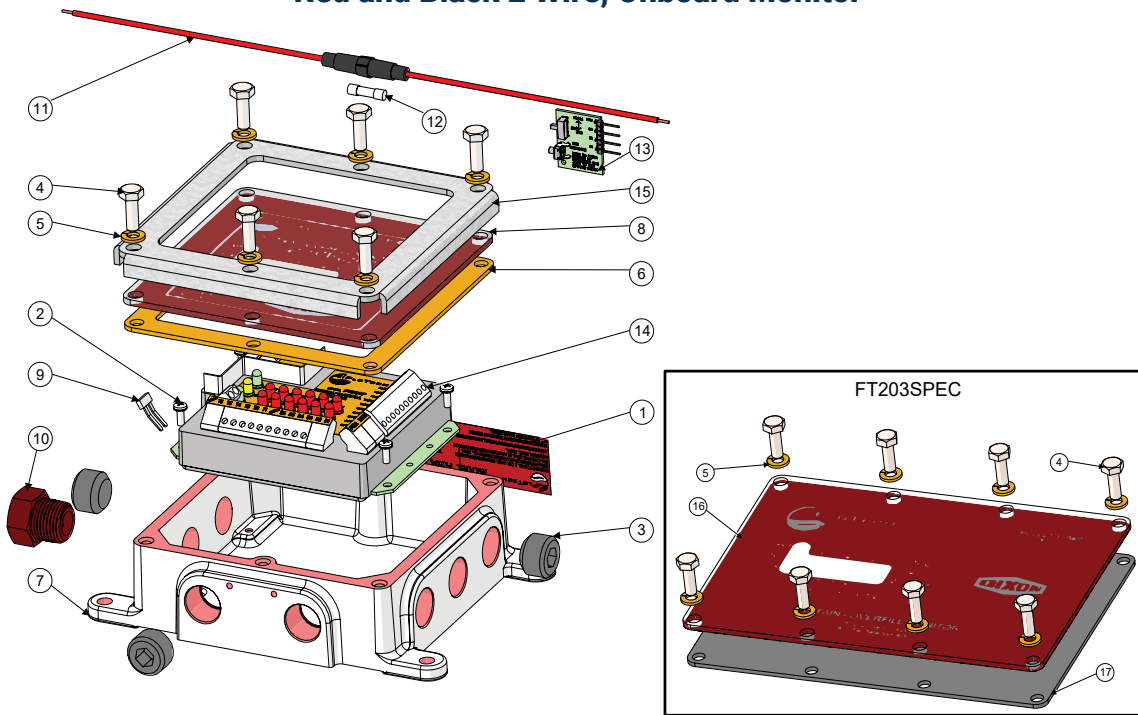
Item #	Description	Part #	FT102	FT103
1	5 wire onboard monitor assembly	10077	1	1
2	chrome mylar label	10079	---	1
3	stainless steel screw	10086	4	4
4	polypropylene pipe plug	10103	---	5
5	stainless steel screw	10110	6	6
6	stainless steel lockwasher-1/4"	10111	6	6
7	neoprene gasket	10131 (was FT9053)	1	1
8	aluminum onboard monitor housing	10136	---	1
9	acrylic bezel	10142 (was FT9005)	1	1
10	PVC L.E.D. cover	10207	5	5
11	plastic fuse holder	10356	1	1
12	brass/glass fuse-1/4" amp	10357 (was FT9039)	1	1
13	aluminum frame lid	10470AL	1	1

Repair Kits

Part #	Description	Includes Item #
FT9003	monitor housing	3-10, 13
FT9004	monitor hardware kit	5, 6, 7, 9, 13
FT9030	fuse holder with 1/4" amp fuse	11, 12

Product instruction sheets and technical data can be viewed on our website at canada.dixonvalve.com

**FT203/FT204-Series ROM Type
Red and Black 2 Wire, Onboard Monitor**



Bill of Materials

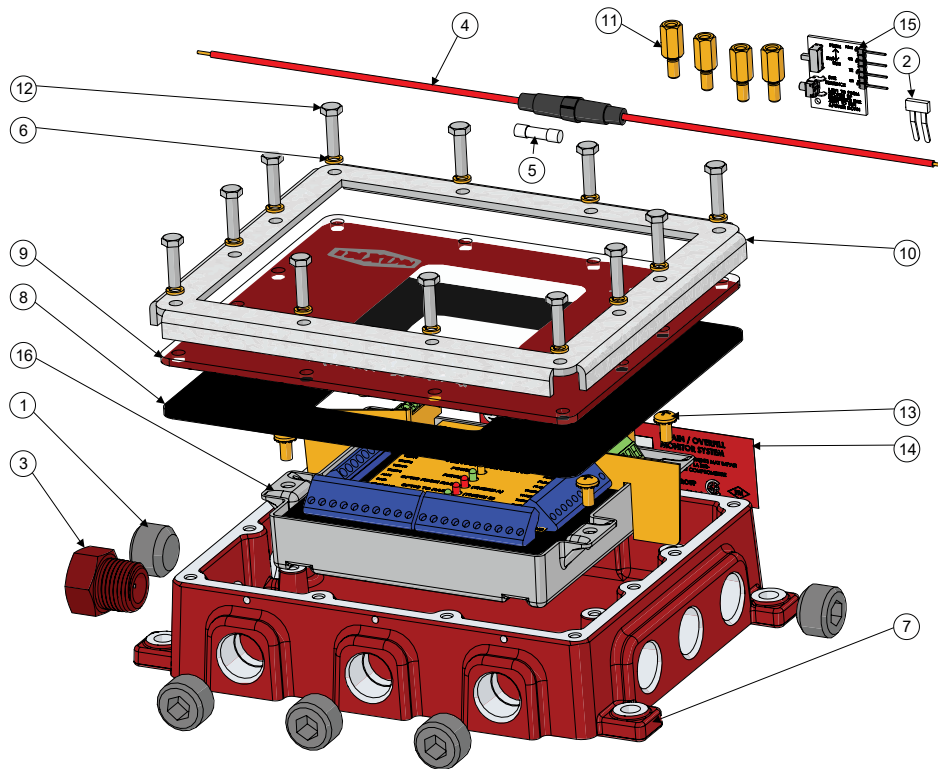
Item #	Description	Part #	FT203P	FT203SPEC	FT204P
1	chrome mylar label	10078	---	---	1
2	stainless steel screw	10086	4	4	4
3	polypropylene pipe plug	10103	---	---	3
4	stainless steel screw	10110	6	8	6
5	stainless steel lock washer-1/4"	10111	6	8	6
6	neoprene gasket	10131 (was FT9053)	1	---	1
7	aluminum onboard monitor housing	10136	---	---	1
8	acrylic bezel	10143 (was FT9006)	1	---	1
9	jumper-cross connector	10196	1	1	1
10	reset switch assembly	10200A	---	---	1
11	plastic fuse holder	10356	1	1	1
12	brass/glass fuse-1/2" amp	10358 (was FT9039)	1	1	1
13	programming board assembly	10459 (was FT9035)	1	1	1
14	OBM assy potted	10460	1	1	1
15	aluminum frame lid	10470AL (was FT9054)	1	---	1
16	bezel for Civacon 3250 and 3252 boxes	10520PL	---	1	---
17	neoprene gasket for 10520PL	10521NP (was FT9065)	---	1	---

Repair Kits

Part #	Description	Includes Item #
FT9003	monitor housing	2-8, 15
FT9004	monitor hardware kit	4-6, 8, 15
FT9031	fuse holder with 1/2" amp fuse	11, 12
FT9059	faceplate and bezel for FT204P	4, 5, 6, 8, 15
FT9064	gasket and bezel for FT203 SPEC	16, 17

Product instruction sheets and technical data can be viewed on our website at canada.dixonvalve.com

FT207/FT208-Series Checkmate Black and White 2 Wire, Programmable Onboard Monitor



Bill of Materials

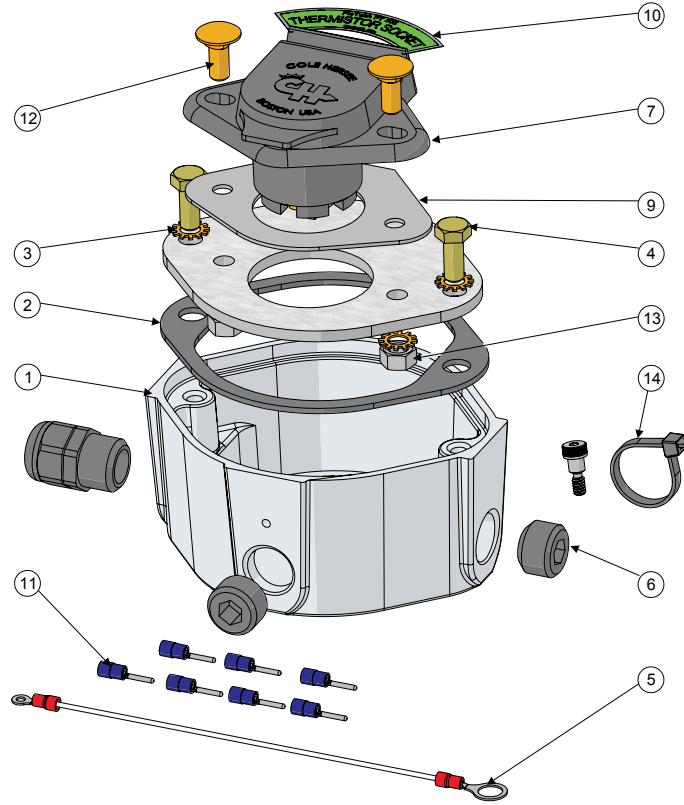
Item #	Description	Part #	FT207	FT208
1	polypropylene pipe plug	10103	---	5
2	jumper-cross connector	10196	1	1
3	reset switch assembly	10200A	---	1
4	plastic fuse holder	10356	1	1
5	brass/glass fuse-1/2" amp	10358 (was FT9039)	1	5
6	stainless steel lock washer	10375SS	12	12
7	aluminum box	10430AL	---	1
8	neoprene gasket	10432NP (was FT9045)	1	1
9	acrylic bezel	10433PL (was FT9036)	1	1
10	aluminum frame	10434AL	1	1
11	aluminum standoff (only used in older units)	10435AL	---	4
12	stainless steel screw	10436SS	12	12
13	stainless steel screw-stems	10437SS	4	4
14	chrome mylar label	10438A	---	1
15	programming board assembly	10459 (was FT9035)	1	1
16	potted OBM	10465	1	1

Repair Kits

Part #	Description	Includes Item #
FT9031	fuse holder with 1/2" amp fuse	11, 12
FT9036	lid, bezel, screws and lockwashers	6, 8, 9, 10, 12
FT9040	checkmate housing with lid	1, 6-13

Product instruction sheets and technical data can be viewed on our website at canada.dixonvalve.com

Single J560 Sockets



Bill of Materials

Item #	Description	Part #	FT302	FT305	FT306	FT312	FT315	FT316
1	aluminum housing	10031 (was FT9007)	1	1	1	--	--	--
2	neoprene gasket	10038 (was FT9032)	1	1	1	1	1	1
3	stainless steel lock washer	10092	4	4	4	4	4	4
4	stainless steel screw	10093	2	2	2	2	2	2
5	wire, assembly, socket	10095	1	1	1	1	1	1
6	polypropylene pipe plug	10103	2	2	2	2	2	2
7	J560 type socket	10119 (was FT9029)	1	1	1	1	1	1
8	aluminum face plate	10120	1	1	1	1	1	1
9	neoprene gasket	10121	1	1	1	1	1	1
10A	aluminum name plate-float	10122	1	--	--	--	--	--
10B	aluminum name plate-optic	10235	--	--	1	--	1	1
10C	aluminum name plate-thermist	10244	--	1	--	--	--	--
11	terminal pin	10123	7	7	7	7	7	7
12	stainless steel carriage bolt	10507SS	2	2	2	2	2	2
13	stainless steel nut	10508SS	2	2	2	2	2	2
14	nylon clamp assembly	10264	--	1	--	--	1	--

Repair Kits

Part #	Description	Includes Item #
FT312	face plate assembly-API float J560 socket	2-14
FT315	face plate assembly-thermist J560 socket	2-14
FT316	face plate assembly-optic J560 socket	2-14

Product instruction sheets and technical data can be viewed on our website at canada.dixonvalve.com

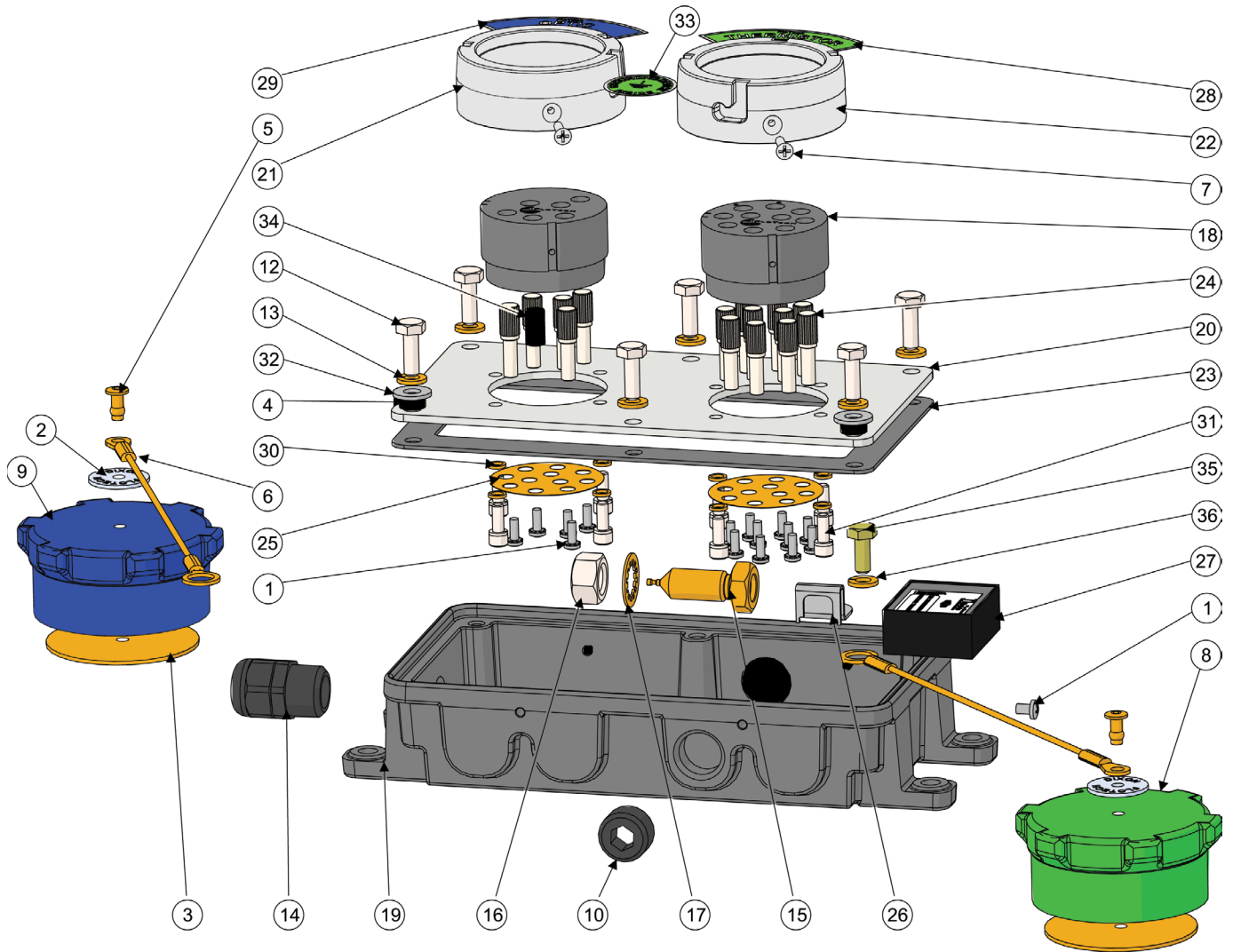
FT30x-Series Single J-slot Sockets

Bill of Materials

Item #	Description	Part #	Repair Kits																					
			FT300	FT300SS	FT300GW	FT301	FT301SS	FT303	FT303SS	FT304	FT304SS	FT307	FT307SS	FT310	FT310SS	FT311	FT311SS	FT313	FT313SS	FT314	FT314SS	FT317	FT317SS	
1	aluminum housing	10031 (was FT9007)	1	1	1	1	1	1	1	1	1	1	1	1	1	1	1	1	1	1	1	1	1	1
2	plastic contact block	10690PL-001	1	1	1	1	1	1	1	1	1	1	1	1	1	1	1	1	1	1	1	1	1	1
3	stainless steel socket pin	10368SS	6	6	6	8	8	6	6	10	10	6	6	6	6	8	8	6	6	10	10	6	6	6
4	neoprene gasket	10038 (was FT9032)	1	1	1	1	1	1	1	1	1	1	1	1	1	1	1	1	1	1	1	1	1	1
5	stainless steel screw	10086	6	6	6	8	8	6	6	10	10	6	6	6	6	8	8	6	6	10	10	6	6	6
6	aluminum name plate-socket washer	use cap kit FT320 or FT321	1	1	1	1	1	1	1	1	1	1	1	1	1	1	1	1	1	1	1	1	1	1
7	aluminum washer 2.500" x .0625"	use cap kit FT320 or FT321	1	1	1	1	1	1	1	1	1	1	1	1	1	1	1	1	1	1	1	1	1	1
8	stainless steel spacer	10089	1	1	1	1	1	1	1	1	1	1	1	1	1	1	1	1	1	1	1	1	1	1
9	aluminum rivet .1875"	use cap kit FT320 or FT321	1	1	1	1	1	1	1	1	1	1	1	1	1	1	1	1	1	1	1	1	1	1
10	stainless steel cable-socket 8"	Use cap kit FT320 or FT321	1	1	1	1	1	1	1	1	1	1	1	1	1	1	1	1	1	1	1	1	1	1
11	stainless steel lock washer	10092	2	2	2	2	2	2	2	2	2	2	2	2	2	2	2	2	2	2	2	2	2	2
12	stainless steel screw	10093	2	2	2	2	2	2	2	2	2	2	2	2	2	2	2	2	2	2	2	2	2	2
13	stainless steel screw-contact block	10094	1	1	1	1	1	1	1	1	1	1	1	1	1	1	1	1	1	1	1	1	1	1
14A	vinyl dust cap-thermistor (green)	use cap kit FT321	--	--	--	1	1	--	--	1	1	--	--	--	--	1	1	--	--	1	1	--	--	--
14B	vinyl dust cap-optic (blue)	use cap kit FT320	1	1	1	--	--	1	1	--	--	1	1	1	1	--	--	1	1	--	--	1	1	--
15A	aluminum name plate-FT300	10099	1	1	--	--	--	--	--	--	--	--	--	1	1	--	--	--	--	--	--	--	--	--
15B	aluminum name plate-FT301	10100	--	--	--	1	1	--	--	--	--	--	--	--	1	1	--	--	--	--	--	--	--	--
15C	aluminum name plate-FT303	10228	--	--	--	--	1	1	--	--	--	--	--	--	--	--	1	1	--	--	--	--	--	--
15D	aluminum name plate-FT304	10101	--	--	--	--	--	--	--	1	1	--	--	--	--	--	--	--	1	1	--	--	--	--
15E	aluminum name plate-FT307	10283	--	--	--	--	--	--	--	--	1	1	--	--	--	--	--	--	--	--	--	1	1	--
15F	aluminum name plate-FT300GW	10099-002	--	--	1	--	--	--	--	--	--	--	--	--	--	--	--	--	--	--	--	--	--	--
16	assembly hardware	10106	1	1	1	1	1	1	1	1	1	1	1	1	1	1	1	1	1	1	1	1	1	1
17	nylon clamp assembly	10264	--	--	--	1	1	--	--	1	1	--	--	--	--	1	1	--	--	1	1	--	--	--
18A	ALH wear ring-4 J-slot	10366HC-001 (was FT9042)	--	--	--	1	--	1	--	1	--	1	--	--	1	--	1	--	1	--	1	--	1	--
18B	ALH wear ring-3 J-slot	10366HC-002 (was FT9041)	1	--	1	--	--	--	--	--	--	--	--	1	--	--	--	--	--	--	--	--	--	--
18C	stainless steel wear ring-4 J-slot	10366SS-001 (was FT9043)	--	--	--	--	1	--	1	--	1	--	1	--	--	1	--	1	--	1	--	1	--	1
18D	stainless steel wear ring-3 J-slot	10366SS-002 (was FT9044)	--	1	--	--	--	--	--	--	--	--	--	--	1	--	--	--	--	--	--	--	--	--
19	stainless steel lock washer	10375SS	4	4	4	4	4	4	4	4	4	4	4	4	4	4	4	4	4	4	4	4	4	4
20	stainless steel screw	10376SS	4	4	4	4	4	4	4	4	4	4	4	4	4	4	4	4	4	4	4	4	4	4
21	aluminum socket plate	10431AL	1	1	1	1	1	1	1	1	1	1	1	1	1	1	1	1	1	1	1	1	1	1
22	plastic black button insert	BLACK BUTTON INSERT	6	6	6	6	6	6	6	6	6	6	6	6	6	6	6	6	6	6	6	6	6	6
23	ground wire assembly	10735	--	--	1	--	--	--	--	--	--	--	--	--	--	--	--	--	--	--	--	--	--	--

Part #	Description	Includes Item #
FT320	blue (optic) vinyl cap assembly	6, 7, 9, 10, 14B
FT321	green (thermistor) vinyl cap assembly	6, 7, 9, 10, 14A
FT310	face plate assembly-API optic ALH wear ring 6 pin 3 J-slot (US)	2-16, 18-22
FT310SS	face plate assembly-API optic SS GFL wear ring 6 pin 3 J-slot (US)	2-16, 18-22
FT311	face plate assembly-API thermistor ALH wear ring 8 pin 4 J-slot (US)	2-22
FT311SS	face plate assembly-API thermistor SS GFL wear ring 8 pin 4 J-slot (US)	2-22
FT313	face plate assembly-optic ALH wear ring 6 pin 4 J-slot (US)	2-16, 18-22
FT313SS	face plate assembly-optic SS GFL wear ring 6 pin 4 J-slot (US)	2-16, 18-22
FT314	face plate assembly-thermistor ALH wear ring 10 pin 4 J-slot (Canada)	2-22
FT314SS	face plate assembly-thermistor SS GFL wear ring 10 pin 4 J-slot (Canada)	2-22
FT317	face plate assembly-optic ALH wear ring 6 pin 4 J-slot (Canada)	2-16, 18-22
FT317SS	face plate assembly-optic SS GFL wear ring 6 pin 4 J-slot (Canada)	2-16, 18-22
FT9008	contact block for FT300 optic	2, 3, 5, 13
FT9009	contact block for FT301 thermistor	2, 3, 5, 13
FT9010	contact block for FT304 10 pin thermistor	2, 3, 5, 13
FT9013	faceplate 4 J-slot (no contact block or hardware)	4, 15B, 18A, 19, 21
FT9020	socket pin, screw and crimp lug	3, 5
FT9034	faceplate 3 J-slot, (without contact block and hardware)	4, 15A, 18B, 19, 21
FT9046	socket contact pins, and screws	3, 5
FT9068	contact block attachment screws and washers (4 each)	19, 20

FT390/FT391-Series EZ-Cept Double Sockets



Product instruction sheets and technical data can be viewed on our website at canada.dixonvalve.com

FT390/FT391-Series EZ-Cept Double Sockets
Bill of Materials

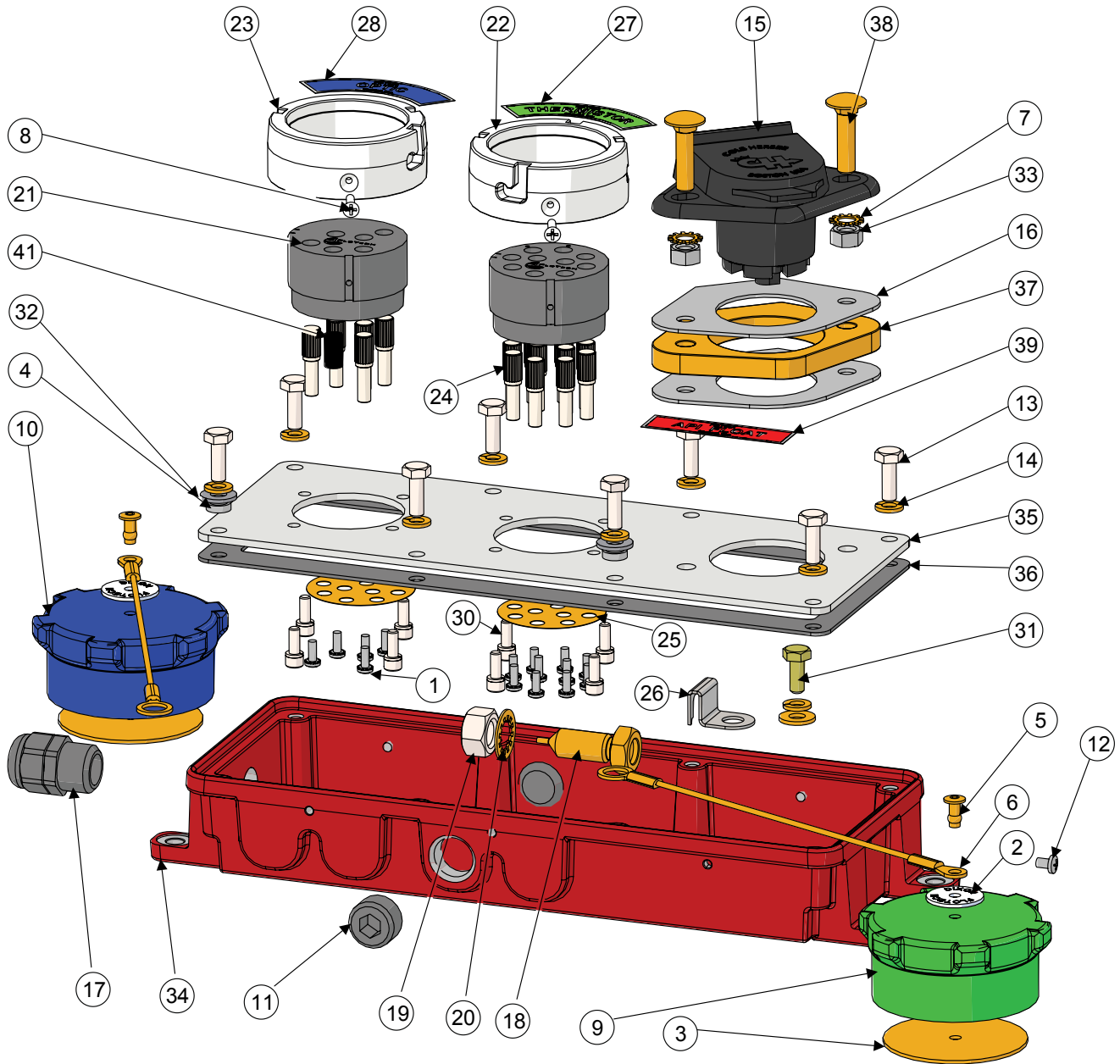
Item #	Description	Part #										
			FT390	FT390V	FT390G	FT390GT	FT390T	FT390-20	FT390G-20	FT391	FT391V	
1	stainless steel screw	10086	15	15	15	15	15	15	15	15	15	15
2	aluminum name plate-socket washer	use kit FT320 or FT321	2	2	2	2	2	2	2	2	2	2
3	aluminum washer 2.500" x .0625"	use kit FT320 or FT321	2	2	2	2	2	2	2	2	2	2
4	stainless steel spacer	10089	2	2	2	2	2	2	2	2	2	2
5	aluminum rivet .1875"	use kit FT320 or FT321	2	2	2	2	2	2	2	2	2	2
6	stainless steel cable-socket 8"	use kit FT320 or FT321	2	2	2	2	2	2	2	2	2	2
7	stainless steel screw-contact block	10094	2	2	2	2	2	2	2	2	2	2
8	vinyl dust cap-thermistor (green)	use kit FT321	1	1	1	1	1	1	1	1	1	1
9	vinyl dust cap-optic (blue)	use kit FT320	1	1	1	1	1	1	1	1	1	1
10	polypropylene pipe plug	10103	2	2	2	2	2	2	2	2	2	2
11	steel screw-plug	10105	3	3	3	3	3	3	3	3	3	3
12	stainless steel screw	10110	6	6	6	6	6	6	6	6	6	6
13	stainless steel lock washer-1/4"	10111	6	6	6	6	6	6	6	6	6	6
14	polyamide strain relief	10139	1	1	1	1	1	1	1	1	1	1
15	stainless steel ground bolt	10223	--	--	1	1	--	--	1	--	--	--
16	stainless steel nut-ground bolt 1/2"-13	10224	--	--	1	1	--	--	1	--	--	--
17	stainless steel lock washer internal tooth	10225	--	--	1	1	--	--	1	--	--	--
18	plastic contact block-socket short	10254	2	2	2	2	2	2	2	2	2	2
19	aluminum box-dual socket	10364AL-001	1	1	1	1	1	1	1	1	1	1
20	aluminum faceplate-dual socket	10365AL	1	1	1	1	1	1	1	1	1	1
21	stainless steel wear ring-3 J-slot	10366SS-002	1	1	1	1	1	1	1	--	--	--
22	stainless steel wear ring-4 J-slot	10366SS-001	1	1	1	1	1	1	1	2	2	2
23	cork gasket-lid	10367CK	1	1	1	1	1	1	1	1	1	1
24	stainless steel socket pin-short	10368SS (was FT9061)	15	15	15	15	15	15	15	15	15	15
25	vinyl label-socket contact	10369VY	2	2	2	2	2	2	2	2	2	2
26	stainless steel bracket-ground bolt	10370SS	1	1	1	1	1	1	1	1	1	1
27	trailer identification module	10372	--	--	--	1	1	--	--	--	--	--
28	aluminum name plate-thermistor	10373AL	1	1	1	1	1	1	1	1	1	1
29	aluminum name plate-optic	10374AL	1	1	1	1	1	1	1	1	1	1
30	stainless steel lock washer	10375SS	8	8	8	8	8	8	8	8	8	8
31	stainless steel screw	10376SS	8	8	8	8	8	8	8	8	8	8
32	stainless steel washer	10382SS	2	2	2	2	2	2	2	2	2	2
33	ground bolt label	10621AL	--	--	1	1	--	--	1	--	--	--
34	plastic black button insert	BLACK BUTTON INSERT	6	6	6	6	6	6	6	6	6	6
35A	stainless steel screw	10110	--	--	--	1	1	--	--	--	--	--
35B	stainless steel screw	10377SS	1	1	1	--	--	1	1	1	1	1
36	stainless steel lock washer-1/4"	10111	1	1	1	1	1	1	1	1	1	1
not illustrated	20' cable, factory wired to sockets	10387-20	--	--	--	--	--	1	1	--	--	--

Repair Kits

Part #	Description	Includes Item #
FT320	blue (optic) vinyl cap assembly	2, 3, 5, 6, 9
FT321	green (thermistor) vinyl cap assembly	2, 3, 5, 6, 8
FT9051	contact block assembly for FT390/FT393 optic 5 pin	1, 7, 18, 24, 25
FT9052	contact block assembly for FT390/FT393 thermistor 10 pin	1, 7, 18, 24, 25
FT9062	nose ring,contact assembly, thermistor 4 J-slot, 10 pin	1, 7, 18, 22, 24, 25
FT9063	nose ring,contact assembly, optic 3 J-slot, 6 pin	1, 7, 18, 21, 24, 25
FT9068	contact block attachment screws and washers (4 each)	30, 31

Product instruction sheets and technical data can be viewed on our website at canada.dixonvalve.com

FT393/394/395-Series EZ-Cept Triple Sockets



Product instruction sheets and technical data can be viewed on our website at canada.dixonvalve.com

FT393/394/395-Series EZ-Cept Triple Sockets
Bill of Materials

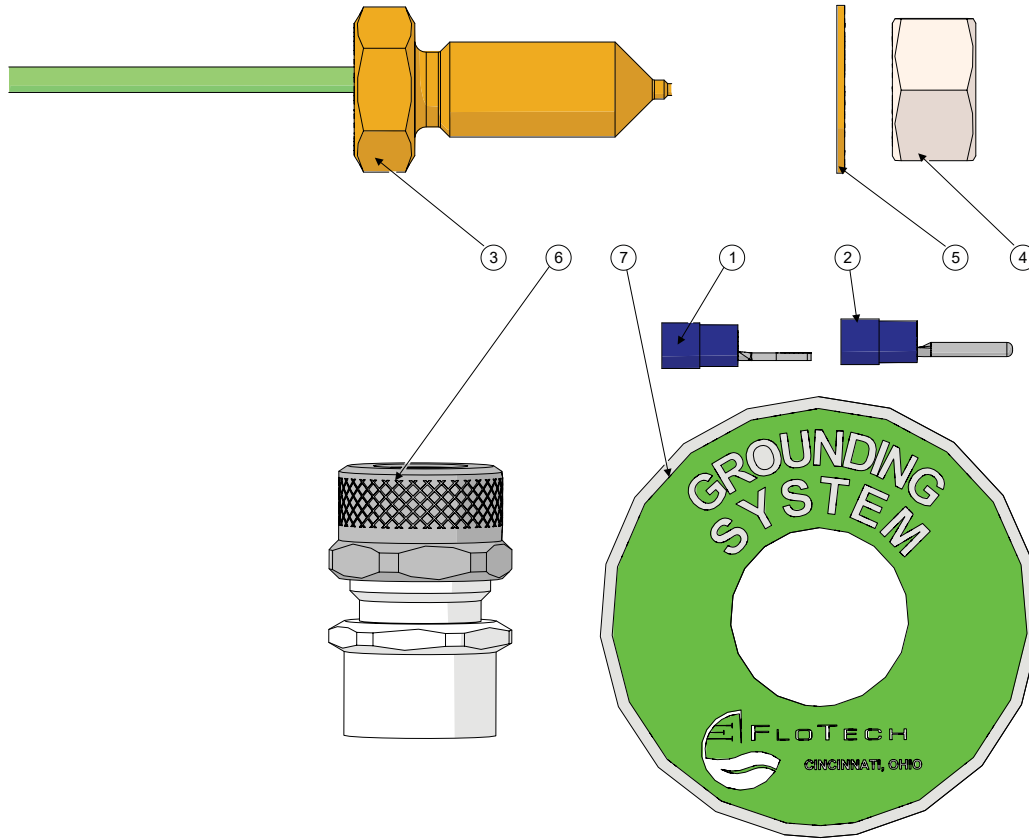
Item #	Description	Part #								
			FT393	FT394	FT394G	FT394V-G	FT395	FT395V	FT395G	FT395V-G
1	stainless steel screw	10086	15	15	15	15	15	15	15	15
2	aluminum name plate-socket washer	10087	2	2	2	2	2	2	2	2
3	aluminum washer 2.500" x .0625"	use kit FT320 or FT321	2	2	2	2	2	2	2	2
4	stainless steel spacer	use kit FT320 or FT321	2	2	2	2	2	2	2	2
5	aluminum rivet .1875"	use kit FT320 or FT321	2	2	2	2	2	2	2	2
6	stainless steel cable-socket 8"	use kit FT320 or FT321	2	2	2	2	2	2	2	2
7	stainless steel lock washer	10092	2	2	2	2	2	2	2	2
8	stainless steel screw-contact block	10094	2	2	2	2	2	2	2	2
9	vinyl dust cap-thermistor (green)	use kit FT321	1	1	1	1	1	1	1	1
10	vinyl dust cap-optic (blue)	use kit FT320	1	1	1	1	1	1	1	1
11	polypropylene pipe plug	10103	2	2	2	2	2	2	2	2
12	steel screw-plug	10105	4	4	4	4	4	4	4	4
13	stainless steel screw	10110	8	8	8	8	8	8	8	8
14	stainless steel lock washer-1/4"	10111	9	9	9	9	9	9	9	9
15	J560 socket	10119 (was FT9029)	1	1	1	1	1	1	1	1
16	neoprene gasket, float socket	10121	2	2	2	2	2	2	2	2
17	polyamide strain relief	10139	1	1	1	1	1	1	1	1
18	stainless steel ground bolt	10223	---	---	1	1	---	---	1	1
19	stainless steel nut-ground bolt 1/2"-13	10224	---	---	1	1	---	---	1	1
20	stainless steel lock washer internal tooth	10225	---	---	1	1	---	---	1	1
21	plastic contact block-socket short	10254	2	2	2	2	2	2	2	2
22	stainless steel wear ring-4 J-slot	10366SS-001 (was FT9044)	1	1	1	1	2	2	2	2
23	stainless steel wear ring-3 J-slot	10366SS-002 (was FT9043)	1	1	1	1	---	---	---	---
24	stainless steel socket pin-short	10368SS (was FT9061)	15	15	15	15	15	15	15	15
25	vinyl label-socket contact	10369VY	2	2	2	2	2	2	2	2
26	stainless steel bracket-ground bolt	10370SS	1	1	1	1	1	1	1	1
27	aluminum name plate-thermistor	10373AL	1	1	1	1	1	1	1	1
28	aluminum name plate-optic	10374AL	1	1	1	1	1	1	1	1
30	stainless steel screw	10376SS	8	8	8	8	8	8	8	8
31	stainless steel screw	10377SS	1	1	1	1	1	1	1	1
32	stainless steel washer	10382SS	2	2	2	2	2	2	2	2
33	stainless steel nut	10508SS	2	2	2	2	2	2	2	2
34	aluminum box-3 socket	10525AL	1	1	1	1	1	1	1	1
35	aluminum faceplate-3 socket	10526AL	1	1	1	1	1	1	1	1
36	cork gasket-lid	10527CK	1	1	1	1	1	1	1	1
37	acetal spacer	10529AC	1	1	1	1	1	1	1	1
38	stainless steel carriage bolt	10530SS	2	2	2	2	2	2	2	2
39A	aluminum name plate-optic (blue)	10558AL	---	1	1	1	1	1	1	1
39B	aluminum name plate-float (red)	10531AL	1	---	---	---	---	---	---	---
40	aluminum label-ground bolt	10621AL	---	---	1	1	---	---	1	1
41	plastic black button insert	BLACK BUTTON INSERT	6	6	6	6	6	6	6	6

Repair Kits

Part #	Description	Includes Item #
FT320	blue (optic) vinyl cap assembly	2, 3, 5, 6, 9
FT321	green (thermistor) vinyl cap assembly	2, 3, 5, 6, 10
FT9051	contact block assembly for FT390/FT393 optic 5 pin	1, 8, 21, 24, 25
FT9052	contact block assembly for FT390/FT393 thermistor 10 pin	1, 8, 21, 24, 25
FT9062	nose ring,contact assembly, thermistor 4 J-slot, 10 pin	1, 8, 21, 22, 24, 25
FT9063	nose ring,contact assembly, optic 3 J-slot, 6 pin	1, 8, 21, 22, 24, 25
FT9068	contact block attachment screws and washers (4 each)	29, 30

Product instruction sheets and technical data can be viewed on our website at canada.dixonvalve.com

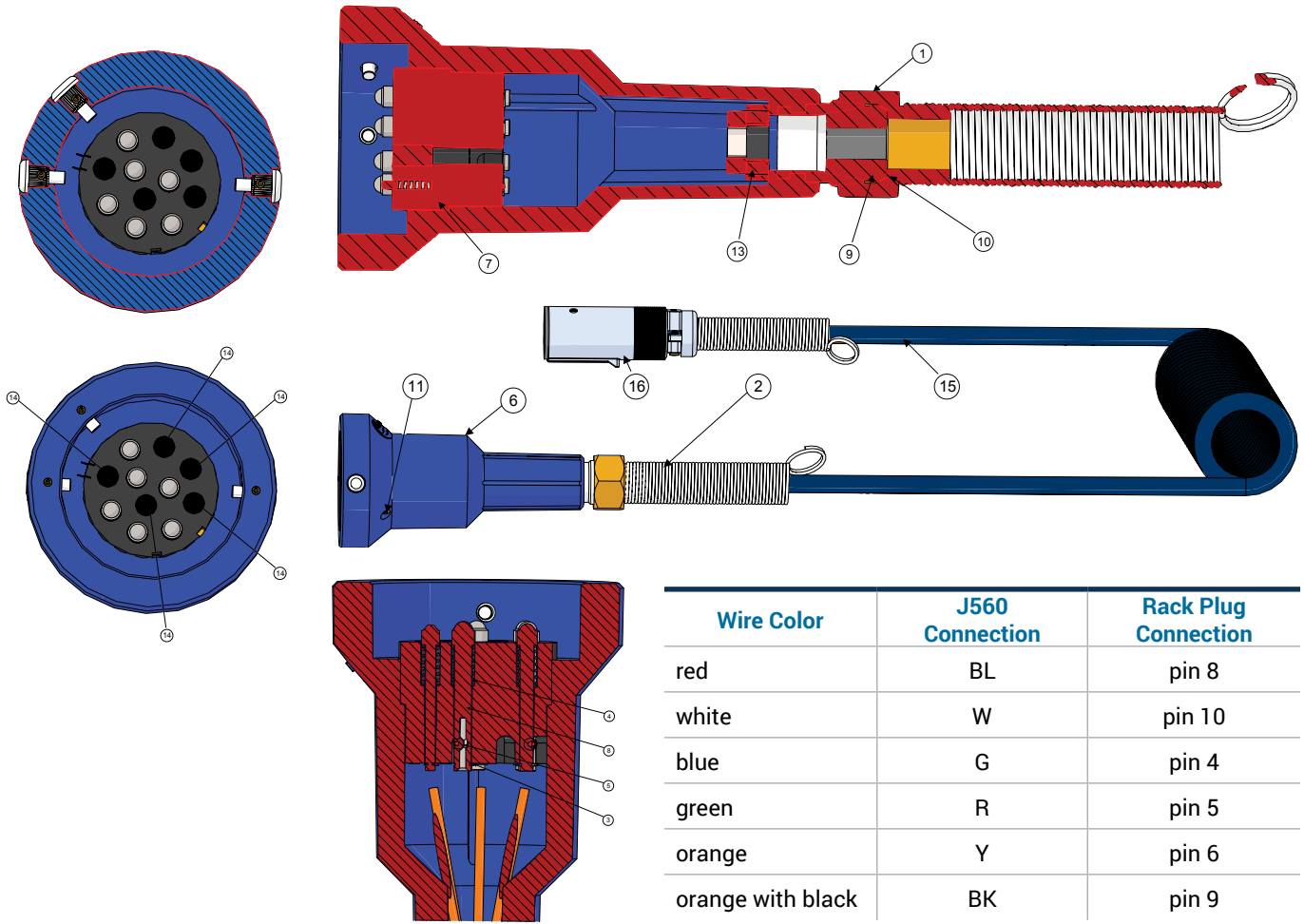
FT450 Ground Bolt



Bill of Materials

Item #	Description	Part #	Qty
1	locking spade	10102	1
2	terminal pin	10123	1
3	stainless steel ground bolt	10223	1
4	stainless steel nut-ground bolt 1/2"-13	10224	1
5	stainless steel lock washer internal tooth	10225	1
6	strain relief 1/2" NPT	10229	1
7	aluminum label-ground bolt	10562	1

Rack Cords - FT620P

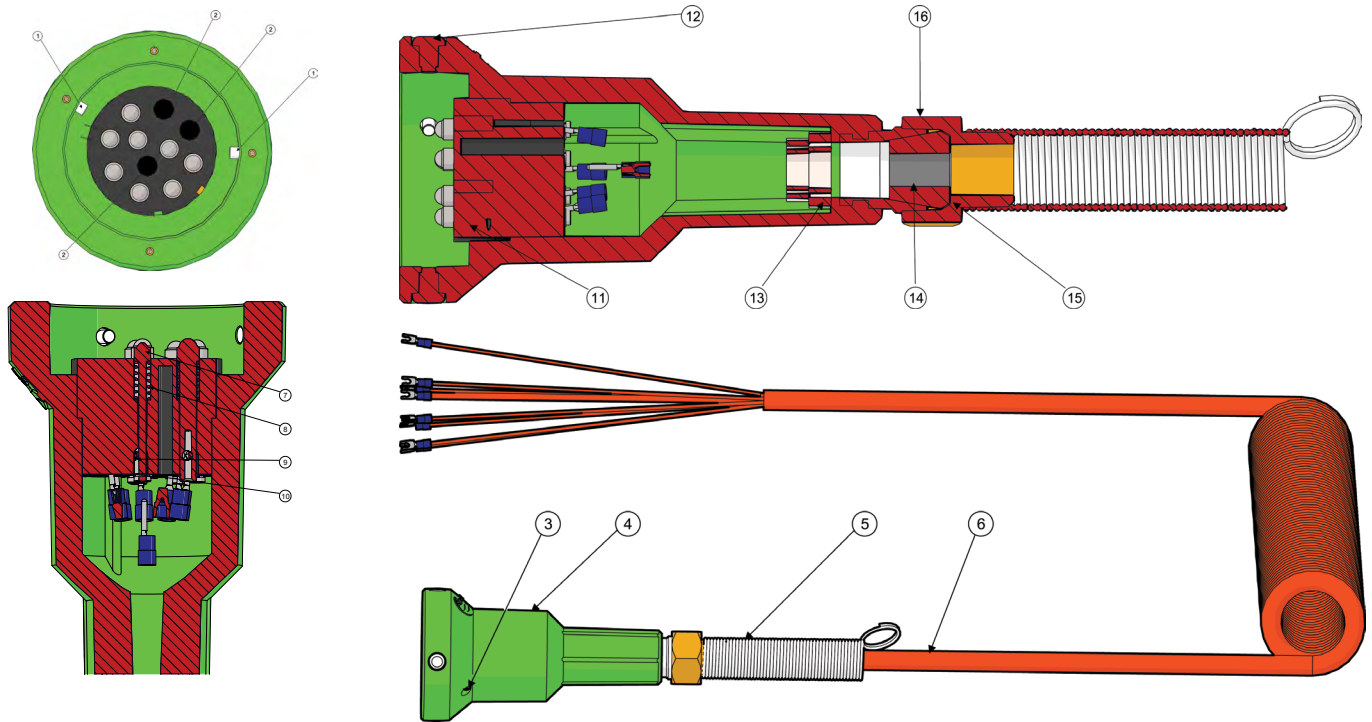


Bill of Materials

Item #	Description	Part #	Qty	Material
1	strain relief nut	10249	1	aluminum
2	spring	10250	1	stainless steel
3	retaining ring	10252	6	steel
4	spring	10253	6	stainless steel
5	set screw	10260	6	stainless steel
6	body	10523NY-003	1	nylon
7	contact block-long	10524PL-001	1	plastic
8	plug pin	10550SS	6	stainless steel
9	cord grip bushing	10715NP	1	neoprene
10	cord grip washer	10716ST	1	plated steel
11	screw	10717SS	1	stainless steel
13	pinch-on double ear clamp	1518R	1	stainless steel
14	black button insert	BLACK BUTTON INSERT	5	plastic
15	assembly 30' coil	10290-002	1	316 stainless steel
16	J560 plug	10285-003	1	reinforced nylon

Product instruction sheets and technical data can be viewed on our website at canada.dixonvalve.com

Rack Cords



Bill of Materials

Item #	Description	Part #	FT600	FT600C	FT600S	FT600SC	FT620	FT620S
1	bayonet stud	10718SS	2	4	2	4	3	3
2	plastic black pin insert	BLACK BUTTON INSERT	3	1	3	1	5	5
3	stainless screw	10717SS	1	1	1	1	5	1
4A	green thermistor glass reinforced nylon plug body	10523NY-004	1	1	1	1	--	--
4B	blue optic glass reinforced nylon plug body	10523NY-003	--	--	--	--	1	1
5	stainless, cable bend restrictor spring	10250	1	1	1	1	1	1
6A	thermistor cable assembly 30' coiled (US)	10259	1	--	--	--	--	--
6B	thermistor cable assembly 30' coiled (Canada)	10259-C	--	1	--	--	--	--
6C	thermistor cable assembly 20' straight (US)	10259-S	--	--	1	--	--	--
6D	thermistor cable assembly 20' straight (Canada)	10259-CS	--	--	--	1	--	--
6E	optic cable assembly 30' coiled (US)	10290	--	--	--	--	1	--
6F	optic cable assembly 30' straight (US)	10290-S	--	--	--	--	--	1
7	plug pin	10550SS	8	10	8	10	6	6
8	stainless plug spring	10253	8	10	8	10	6	6
9	set screw	10260	8	10	8	10	6	6
10	retaining ring	10252	8	10	8	10	6	6
11	long plastic contact block	10524PL-001	1	1	1	1	1	1
12	aluminum bayonet pin plug	10718PLUG	2	4	2	4	--	--
13	stainless double ear pinch on clamp	SINGLE1518R	1	1	1	1	1	1
14	cord grip bushing	10715NP	1	1	1	1	1	1
15	cord grip washer	10716ST	1	1	1	1	1	1
16	aluminum strain relief nut	10249	1	1	1	1	1	1

Repair Kits

Part #	Description	Includes Item #
FT601	thermistor plug assembly, 8 pin 4 J-slot (US)	1-4A, 5, 7-11, 14-16
FT601-10	thermistor plug assembly, 10 pin 4 J-slot (Canada)	1-4A, 5, 7-11, 14-16
FT602	30' orange coiled cord, thermistor 10 conductor	6B, 13
FT604	20' orange straight cord, thermistor 10 conductor	6D, 13
FT621	optic plug assembly, 6 pin 3 J-slot (US)	1-4B, 5, 7-11, 14-16
FT622	30' orange coiled cord, optic 6 conductor	6E, 13
FT624	20' orange straight cord, optic 6 conductor	6F, 13

1WAYBV200	25	400-DP-ALPH.....	9	4426	89, 91, 93, 96
1WAYBV200SW	25	400-DVR-AL	22	4427	89
1WAYBV200VIC.....	25	400-G-BF.....	88, 89, 90	4432	94
1WAYBV300	25	400-G-BU.....	100, 103, 105, 112	4433	89, 91, 93, 96
1WAYBV300SW	25	400GTTFBL.....	13	4443	13
1WAYBV300VIC.....	25	400GTTFCB	13	4500-5.....	86, 87, 88, 89
1WAYBV400	25	400GTTFK.....	13	4500-7.....	86, 88, 89
2WAYBV200	25	500-7A2.....	145	4500K.....	88
2WAYBV200SW	25	500-15	87	4500RK.....	86, 89
2WAYBV200VIC3.....	25	500K.....	147	4500RK-V.....	86, 88, 89
2WAYBV300	25	600-ALT-AL.....	12	4502.....	8
2WAYBV300SW	25	600-DLT-AL.....	12	4502ASSM.....	8
2WAYBV300VIC3.....	25	875-3	145	4502SGK.....	89
2WAYBV400	25	875-4	37, 145	4502SGK-V.....	89
111SS3	109	875-5	37, 145	4504ASSM.....	8
112D.....	35	900	37	4530	8
112DAL-9	143	900B.....	37	4530G.....	8
112DNS.....	35	900B34.....	37	4530SG	8
112DSK.....	143	900RB	145	4540	8
114/2D-TK	143, 144	900S.....	37	4540DC	9
114D.....	35	900S34.....	37	4540DC-1200.....	9
114DAL-2	144	900SK	145	4540F.....	8
114DAL-10.....	143, 144	900TK.....	145	4540G.....	8
114DAL-AV-19.....	143, 144	900W34B.....	37	4540SG	8
114DNS.....	35	900W34S.....	37	4540SG-RK1	88
114DSK.....	144	1125A.....	35, 36, 143, 149, 151	4540SGRK-1.....	88
200-G-BU.....	120, 122, 136	1125A-125NPT.....	35	4540SG-RK2.....	88
200-G-EPDM	136	1125B.....	35, 143	4540SG-RK2-V.....	88
200-G-EPR.....	120, 122	1143A.....	35, 36, 144, 149	4540SG-RK3.....	88
200-G-TES.....	120, 122, 136	1143B.....	35, 144	4540SGV.....	8
200-G-TFVI.....	120, 122	1200SK	147	4540V.....	8
200GTTFBL.....	13	1250-2	145	5000-24.....	8, 86
200-G-VI.....	120, 122, 136	1250-3	145	5000-24L.....	8
200-PV-9.....	40	1250-94.....	35	5000-24LRK.....	87
234-80-4.....	37, 145	1250SK.....	145	5000-25.....	8
234-80-5.....	37, 145	1250TK.....	145	5000AI.....	23
250-G-BU.....	74, 124, 126, 134, 136, 161, 163	1265	147	5000AI-2.....	111
250-G-EPDM	136	1280	147	5000AI-5.....	111
250-G-EPR.....	124, 126	1500SK	147	5000AIHD.....	23
250-G-TES.....	124, 126, 134, 136	1518R.....	176	5000AIHDRK1.....	110
250-G-TEV.....	126	1565U.....	38, 147	5000AIHDSK.....	110, 111
250-G-TFVI.....	124	1570	147	5000AIHDSK1.....	110
250-G-VI.....	124, 126, 134, 136	1570RK.....	147	5000AIHK.....	109, 110, 111
300-ALT-AL.....	12	1580R.....	147	5000AIR.....	23
300-DLT-AL.....	12	1580U.....	147	5000AIRHD.....	23
300-DP-ALPH.....	9	2000L.....	40	5000AIRHDSK.....	109
300-G-BF.....	90	2500L.....	40	5000AIRK1.....	110
300-G-BU.....	105	2500SFV.....	40	5000AIRK2.....	110
300GTTFBL.....	13	3040ALTAL.....	12	5000AIRRK1.....	109
300GTTFCB	13	3040DLTAL.....	12	5000AIRSK.....	109
300GTTFK.....	13	4000SS	117	5000AIS.....	23
300-HR-BR.....	103, 112	4020-CVR-AL.....	22	5000AISHD.....	23
300-HRP-BR.....	86, 88, 89, 90, 103, 105	4030-CVR-AL.....	22	5000AISK.....	110, 111
325-P.....	87, 103, 112	4030-DAVR-AL.....	22	5000AIST.....	23
0387P-OP.....	155	4030-DVR-AL.....	22	5000AISTHD.....	23
400-ALT-AL.....	12	4050AL.....	100	5000AIV.....	23
400AWSPAL.....	17	4062AL.....	100	5000AIVHD.....	23
400-CVR-AL.....	22	4063	100	5000AIVS.....	23
400-DC-ALPH.....	112	4066	100	5000S.....	23, 110
400-DDVR-AL.....	22	4068	100	5000ST.....	110
400-DLT-AL.....	12	4071	100	5000STHD.....	110
		4400SGK.....	89	5006AIHD.....	23, 112
		4400SGK-V.....	89	5006AIHDSK.....	112

5006AIRHD	23, 112	5500RK3	32	6230	92, 94
5006AIRHDSK	112	5500RK4	32	6230X	92, 94
5006AISTHD	112	5500RK5	32	6300-3	93
5006AIVHD	23, 112	5500RK6	32	6303	16
5200C-SFI	10	5500RK7	32	6303NPT	16
5200C-SFI-3	10	5500RK8	32	6304	16
5200-SFI	10, 90	5500RK9	32	6304-1	93
5200-SFI-3	10, 90	5500RK10	32	6304NPT	16
5200-SFI-3-RK1	90	5500RK11	32	6400	18
5200-SFI-3V	90	5500RK12	32	6400-1	94
5200-SFI-RK1	90	5500RK20	32	6400-4	17, 94
5200-SFIV	10, 90	5500RK21	32, 82	6400ARK	94
5200-SFIV-RK1	90	5500RK22	32, 82	6400-DTK	94
5200-SPC	10	5500RK23	32, 82	6400EXT	17
5201CA	10	5500RK24	32, 82	6400EXT-3	94
5201CA-3	10	5500RK25	32, 82	6400F	18
5201CC	10	5500RK26	32, 82	6400FNPT	18
5201-SFI	10, 90	5500RK27	32, 82	6400SGK	94
5201-SFI-3	10, 90	5500RK51	32, 82	6400X	18
5201-SFI-RK1	90	5900ALBN400A	31	6400XF	18
5204	7, 85	5900ALTV400A	31	6400XFNPT	18
5204C	7, 85	5900ALVG400A	31	6430	18
5204H	32	6000-7	91	6430F	18
5204K1	85	6000-8	91, 99	6430X	18
5204K2	84	6000-9	16, 91, 92, 94, 99	6430XF	18
5204K3	84, 85	6000-12	85, 91, 99	6500	14
5204K5	84, 85	6000-13	91, 99	6500A	14
5204K6	84, 85	6000-14	16, 20	6500AHK	93
5204K7	84, 85	6000-14C	17, 94	6500AT	14
5204K8	84, 85, 102	6000-15	16, 20	6500B	14
5204K9	84	6000-15C	17, 94	6500C	14
5204K11	84, 85	6000-16	16	6500D	14
5204K12	84, 85, 102	6000-16C	17, 94	6500-RK1	93
5204K13	84, 85	6000-17	16, 20	6500T	14
5204KV1	85	6000-17C	17, 94	6500X	14
5204KV2	84	6000-20	16	6500XA	14
5204L	7, 85	6000-26C	17, 94	6500XAT	14
5204LNG	7, 85	6000AS	16	6500XB	14
5204LSNG	7	6000ASA	16	6500XC	14
5204NG	7, 85	6000ASAL	16	6500XD	14
5204NGC	7, 85	6000ASAT	16	6500XT	14
5204NGV	7, 85	6000ASB	16	6530A	16
5204P	7	6000ASC	16	6530B	16
5204SFI	7	6000ASD	16	6530C	16
5204SFI-P	7	6000ASK	96	6530D	16
5204SNG	7, 85	6000ASR	16, 96	6530LA	16
5204-SP	85	6000AST	16	6544CA-1	94
5204TNG	7, 85	6000EHK	91, 93, 94, 96, 98, 99	6600LA	15
5205	8	6000EXT	17	6600LB	15
5205-RK1	86	6000NPHK	90, 97, 98, 99	6600LC	15
5205-RK2	86	6000-SSA	17	6600LD	15
5205-RK3	86	6000SSHK	96	6600RA	15
5205-RK4	86, 88	6030	91, 93	6600RB	15
5500•	32	6030AS	96	6600RC	15
5500••	32	6200-1	91, 96	6600RD	15
5500B	32	6200-7	92, 94	6610LA	15
5500F	32	6200-7X	92, 94	6610LB	15
5500G	32	6200-15ASSM	94	6610LC	15
5500H	32	6200ARK	91, 92	6610LD	15
5500K	32	6200BK	91, 92, 94, 99	6610RA	15
5500RK•	32	6200SBK	94	6610RB	15
5500RK••	32	6200SGK	91, 93, 96	6610RC	15
5500RK1	32	6200SHK	94	6610RD	15

10031	74, 156, 157, 168, 170	10471NY	164
10038	74, 156, 157, 168, 170	10471NY-P&P	162
10077	165	10476AL	162, 164
10078	166	10477SS	162, 164
10079	165	10507SS	157, 168
10086	153, 156, 158, 160, 165, 166, 170, 172, 174	10508SS	157, 160, 168, 174
10087	160, 174	10520PL	166
10089	153, 156, 158, 170, 172	10521NP	166
10092	156, 157, 160, 168, 170, 174	10523NY-003	176, 177
10093	156, 157, 168, 170	10523NY-004	177
10094	153, 156, 158, 160, 170, 172, 174	10524PL-001	176, 177
10095	157, 168	10525AL	160, 174
10099	156, 170	10526AL	160, 174
10099-002	170	10527CK	160, 174
10100	156, 170	10529AC	160, 174
10101	170	10530SS	160, 174
10102	175	10531AL	174
10103	153, 154, 157, 158, 160, 162, 163, 164, 165, 166, 167, 168, 172, 174	10540SS	164
10105	158, 160, 172, 174	10541AL	164
10106	156, 170	10542BN	164
10107A	163	10550SS	177, 176
10109-PP	161	10554SS	164
10110	153, 158, 160, 165, 166, 172, 174	10558AL	160, 174
10111	134, 153, 158, 160, 161, 163, 165, 166, 172, 174	10562	175
10119	74, 157, 160, 168, 174	10596PLAC	153
10120	157, 168	10597CK	153
10121	157, 160, 168, 174	10598AL	153
10122	168	10599AL	153
10123	157, 168, 175	10600AL	153
10124	161, 163	10601	153
10125	74, 161, 163	10602BR	153
10126	75, 161, 163	10603BR	153
10128	74, 161, 163	10605PL	57, 155, 156, 157, 158, 160
10131	75, 165, 166	10606AC-002	153
10134	162, 164	10612	153
10136	165, 166	10616SSBN	153, 154
10139	153, 154, 160, 172, 174	10621AL	153, 158, 160, 172, 174
10142	74, 165	10622	67
10143	74, 166	10638	161, 162
10183	75, 163	10639	154
10183-P&P	161	10688	57
10185	161, 163	10688-002	57
10196	153, 154, 166, 167	10690PL-001	156, 170
10200A	153, 154, 166, 167	10715NP	177, 176
10203	163	10716ST	176, 177
10204	161	10717SS	176, 177
10207	165	10718PLUG	177
10212	161, 163	10718SS	177
10213	161, 163	10735	170
10223	158, 160, 172, 174, 175	10735-002	153
10224	158, 160, 172, 174, 175	10841SS	161, 163
10225	158, 160, 172, 174, 175	11030PS	65
10228	170	11159	85
10229	175	40001AL	115
10235	157, 168	40001SS	115
10244	168	40001ZA	115
		40002AL	115
		40002SS	115
		40003AL	115
		40003SS	115
		40004SS	115, 118
10248	161, 162		
10249	176, 177		
10250	176, 177		
10252	176, 177		
10253	176, 177		
10254	153, 158, 160, 172, 174		
10259	177		
10259-C	177		
10259-CS	177		
10259-S	177		
10260	176, 177		
10264	156, 168, 170		
10283	170		
10285-003	176		
10290	177		
10290-002	176		
10290-S	177		
10343	162, 164		
10347	75, 162, 164		
10356	154, 165, 166, 167		
10357	75, 165		
10358	75, 154, 166, 167		
10364AL-001	158, 172		
10365AL	158, 172		
10366HC-001	75, 156, 170		
10366HC-002	75, 156, 170		
10366SS-001	75, 153, 156, 158, 160, 170, 172, 174		
10366SS-002	75, 153, 156, 158, 160, 170, 172, 174		
10367CK	158, 172		
10368SS	75, 153, 156, 158, 160, 170, 172, 174		
10369VY	158, 160, 172, 174		
10370SS	158, 160, 172, 174		
10372	153, 172		
10373AL	153, 158, 160, 172, 174		
10374AL	153, 158, 160, 172, 174		
10375SS	153, 154, 156, 158, 160, 162, 164, 167, 170, 172		
10376SS	153, 156, 158, 160, 162, 164, 170, 172, 174		
10377SS	158, 160, 172, 174		
10382SS	153, 158, 160, 172, 174		
10387-20	172		
10387P-20	156, 157, 158, 160		
10387P-TH	155		
10430AL	154, 167		
10431AL	156, 170		
10432NP	75, 153, 154, 167		
10433PL	153, 154, 167		
10434AL	154, 167		
10435AL	154, 167		
10436SS	153, 154, 167		
10437SS	153, 154, 167		
10438A	153, 154, 167		
10459	75, 153, 154, 166, 167		
10460	166		
10465	153, 154, 167		
10470AL	75, 165, 166		

40005BR	115	40096SS	126	40150VI.....	138, 139
40005SS-001	115	40097SS	124, 126, 134	40151SS	138, 139
40005SS-002	115	40098SS	124, 126, 134	40152SS	138, 139, 141
40006BN	118	40099SS	120, 122, 124, 126, 134, 136, 164	40153SS	138, 139
40006EP	118	40100SS	120, 122, 124, 126, 134, 136	40154SS	138, 139
40006KR	118	40101SS	120, 122, 124, 126, 134, 136	40155SS	138, 139, 141
40006TS.....	117, 118	40106AC	134	40156SS	139
40006VI.....	118	40108AC	134	40157BR	139
40022ALTAL.....	12	40109AC	134	40158ST	139, 141
40022DLTAL	12	40110ST	134	40159SS	138, 139
40048WI.....	23	40111SS	134	40160SS	138, 139
40053SS	137	40114SS	120, 122	40161AL.....	139
40054BR	137	40115SS	120, 122	40161BN.....	139
40055SS	137	40116SS	120, 122	40161VI.....	139
40056SS	137	40117ALBN.....	120	40162BN.....	138, 139
40074SS	120, 122, 124, 126, 134	40117ALEP	120	40162VI.....	138, 139
40075TF.....	120, 122, 124, 126, 134	40117ALVI.....	120	40163BN.....	138, 139
40076BN	120, 122, 124, 126, 134	40117SSBN	122	40163VI.....	138, 139
40076EP	120, 122, 124, 126	40117SSEP.....	122	40164SS	138, 139
40076KR	120, 122, 124, 126, 134	40117SSVI.....	122	40165NY	139
40076VI	120, 122, 124, 126, 134	40118SS	120, 122	40166VY	138, 139
40077TF.....	120, 122, 124, 126, 134	40119TF	120, 122	40167AL.....	138, 141
40078FG	120, 122, 124, 126, 134	40120BN	120, 122	40168SS	124, 126, 134
40079SS	120, 122, 124, 126, 134	40120EP	120, 122	40169SS	120, 122
40080SS	120, 122, 124, 126, 134, 136	40120KR	120, 122	40170TF.....	124, 126, 134
40081ALBN.....	124, 134	40120TS.....	120, 122	40171TF.....	120, 122
40081ALEP	124	40120TV	120, 122	40175SS	117
40081ALVI.....	124, 134	40120VI.....	120, 122	40178SS	139
40081SSBN	126	40122TF.....	120, 122	40180AL.....	116
40081SSEP.....	126	40124SS	120, 122	40180SS	116
40081SSVI.....	126	40125SS	120, 122	40180ZA	116
40082TF.....	120, 122, 124, 126, 134	40129AL	114	40181AL.....	116
40083SS	124, 126, 134	40129SS	114	40181SS	116
40084TF.....	124, 126, 134	40129ZA	114	40182AL.....	116
40085BN	124, 126, 134	40130AL.....	114	40182SS	116
40085EP	124, 126	40130SS	114	40183BR	116
40085KR	124, 126	40131AL.....	114	40183SS	116
40085TS	124, 126, 134	40131SS	114	40184SS	116, 118
40085TV	124, 126	40132SS	114	40185BN.....	118
40085VI.....	124, 126, 134	40133BR	114	40185EP	118
40086SS	120, 122, 124, 126, 134	40133SS-001	114	40185KR	118
40087SS	120, 122, 124, 126, 129, 131, 134	40133SS-002	114	40185TS.....	118
40088SS	120, 122, 124, 126, 134, 136, 141	40134BN	118	40185VI.....	118
40089SS	120, 122, 124, 126, 134, 136	40134EP	118	40187SSSS.....	117
40091SS	124, 126, 134	40134KR	118	40190TF.....	117, 164
40092SS	124, 126, 134	40134TS.....	118	40191TF.....	117
40093SS	124, 126, 134	40134VI.....	118	40192SS	117
40094SS	120, 122, 124, 126, 134	40138SS	138, 139	40193AL.....	22
40095TF.....	124, 126, 134	40139SS	138, 139	40195SS	129, 131
		40140SS	138, 139	40196SS	129, 131
		40141SS	138, 139	40197ALBN.....	129
		40142SS	138, 139	40197ALVI.....	129
		40143SS	138, 139	40197SSBN	131
		40144SS	138, 139	40197SSEP.....	129, 131
		40145SS	138, 139	40197SSVB.....	129, 131
		40146HC	138, 139	40197SSVI.....	131
		40147CA	138, 139	40198TF.....	129, 131
		40148SS	138, 139	40200AL.....	129
		40149SS	138, 139	40200SS	131
		40150BN.....	138, 139	40201TF.....	129, 131
				40202SS	129, 131
				40203SS	129, 131
				40204SS	129, 131

40205SS	129, 131	40272SS	141	40614TF	142
40206SS	129, 131	40273BN	141	40615	142
40207SS	129, 131	40273VI	141	40616GL	142
40208SS	129, 131	40274BN	141	40617	142
40209SS	129, 131	40274VI	141	40618SS	142
40210SS	129, 131	40275BN	141	40619	142
40211TF	129, 131	40275VI	141	40620SS	142
40212SS	129, 131	40276BN	141	40621SS	142
40213FG	129, 131	40276VI	141	100202	109
40214SS	129, 131	40278AL	137	110319	98, 99
40215SS	104	40278BR	137	110601	94
40216SS	129, 131	40279AL	137	110691	102, 104
40217SS	129, 131	40279BR	137	110717	108
40218SS	104, 129, 131	40280AL	137	110746	143, 144
40219TF	129, 131	40280BR	137	110748	101
40221SS	129, 131	40281SS	137	110755	109, 111
40222EP	131	40285SSSS	129, 131	110798	143, 144
40222TS	131	40287SS	136	110842	102
40222TV	129, 131	40288SS	136	110892	102
40223BN	129, 131	40289FG	136	110897	109
40223EP	129, 131	40290SS	136	110902	149
40223KR	129, 131	40291SS	136	110928	109
40223VB	129, 131	40292SS	136	111196	109
40223VI	129, 131	40293SS	136	111197	102
40224BN	129, 131	40294SS	136	111542	85
40224EP	129, 131	40295TV	136	111550	85
40224KR	129, 131	40296BN	136	111552	85
40224TS	129, 131	40296EP	136	111553	85, 110
40224TV	129, 131	40296KR	136	111554	85
40224VB	129, 131	40296VI	136	111556	85
40224VI	129, 131	40298SS	136	111557	85
40225SS	136	40299SS	136	111560	85
40226SS	136	40300SS	136	111561	85
40230SS	136	40301TV	136	111562	85, 102
40231SS	136	40303AL	114	111563	85
40232SS	136	40304SS	129, 131	111564	85
40235TF	129, 131	40305TF	129, 131	111565	85
40246SS	141	40321TF	13	111566	85
40247HC	141	40322TF	13	111569	85, 102
40248CA	141	40323BL	13	111570	102
40249SS	141	40323TF	13	111572	102
40250SS	141	40341SS	118	111573	85
40251SS	141	40342SSSS	118	111574	85
40252SS	141	40343TF	118	111575	102
40253AL	141	40344SS	118	111579	85
40254SS	141	40347SSSS	118	111580	85
40255SS	141	40359SSSS	118	111679	106, 107
40256SS	141	40360SS	118	111680	106, 107
40257ST	141	40361SS	118	111681	106, 107
40258SS	141	40362TF	118	111683	106, 107
40259BR	141	40364BL	13	111686	106, 107
40260SS	141	40364TF	13	111687	106, 107
40261SS	141	40419SS	90	111689	107
40262SS	141	40420SS	90	111692	90, 106
40263SS	141	40447ST	9	111693	106
40264SS	141	40462VY	11	111694	106
40265NY	141	40530AL	64	111706	104
40266FL	141	40544AL	11	111719	149
40267SS	141	40609ST	142	111723	94
40268BR	141	40610ST	142	111727	93
40269VY	141	40611SS	142	111728	93, 98
40270SS	141	40612FI	142	111729	93
40271SS	141	40613SS	142	111730	93

DBA62-200.....	26	DBAK6-200.....	115, 116	DBC74-300RK2.....	132
DBA63-150.....	26	DBAK6-300.....	116	DBC76-150.....	28, 122
DBA63-200.....	26	DBAK7-150.....	114, 116	DBC76-200.....	28, 126
DBA63-300.....	26	DBAK7-200.....	115, 116	DBC76-300.....	28
DBA64-150.....	26	DBAK7-300.....	116	DBC77-150.....	28, 122
DBA64-300.....	26	DBAK9-300.....	116	DBC77-150-GL.....	28
DBA66-150.....	26	DBAV73-2030.....	27	DBC77-200.....	28, 126
DBA66-200.....	26	DBC6x-150.....	119	DBC77-200-GL.....	28
DBA66-300.....	26	DBC6x-200.....	119	DBC77-300.....	28
DBA67-150.....	26	DBC6x-300.....	119	DBC78-200.....	28
DBA67-200.....	26	DBC7x-150.....	119	DBC79-300.....	28
DBA67-300.....	26	DBC7x-200.....	119	DBCL-200.....	29, 121, 123, 125, 127, 135
DBA69-300.....	26	DBC7x-300.....	119	DBCL-300.....	29
DBA71-150.....	26	DBC61-150.....	28, 120	DBCx1-150RK1.....	121, 123
DBA71-200.....	26	DBC61-150RK2.....	121	DBCx1-200RK1.....	125, 127
DBA71-300.....	26	DBC61-200.....	28, 124	DBCx1-300RK1.....	130, 132
DBA72-150.....	26	DBC61-200RK2.....	125, 135	DBCx1-300RK3 ..	129, 130, 131, 132
DBA72-200.....	26	DBC61-300.....	28, 129	DBCx2-150RK1.....	121, 123
DBA72-300.....	26	DBC61-300RK2.....	130	DBCx2-200RK1.....	125, 127
DBA73-150.....	26	DBC62-150.....	28, 120	DBCx2-300RK1.....	130, 132
DBA73-200.....	26	DBC62-150RK2.....	121	DBCx2-300RK3 ..	129, 130, 131, 132
DBA73-300.....	26	DBC62-200.....	124	DBCx3-150RK1.....	121, 123
DBA74-150.....	26	DBC62-200RK2.....	125, 135	DBCx3-150RK2.....	121, 123
DBA74-200.....	26	DBC62-300.....	28, 129	DBCx3-200RK1.....	125, 127
DBA74-300.....	26	DBC62-300RK2.....	130	DBCx3-200RK2 ...	125, 127, 135
DBA76-150.....	26	DBC62LVPR-300.....	28	DBCx3-300RK1.....	130, 132
DBA76-200.....	26	DBC63-150.....	28, 120	DBCx3-300RK2.....	130, 132
DBA76-300.....	26	DBC63-200.....	28, 124	DBCx3-300RK3.....	129, 130
DBA77-150.....	26	DBC63-300.....	28, 129	DBCx4-150RK1.....	123
DBA77-200.....	26	DBC64-150.....	28, 120	DBCx4-200RK1.....	125, 127
DBA77-300.....	26	DBC64-150RK2.....	121	DBCx4-300RK1.....	130, 132
DBA78-200.....	26	DBC64-200.....	28, 124	DBCx4-300RK3.....	129, 130
DBA79-300.....	26	DBC64-200RK2.....	125	DBCx6-150RK1.....	121, 123
DBA64200.....	26	DBC64-300.....	28, 129	DBCx6-200RK1.....	125, 127
DBAF71-200.....	27	DBC64-300RK2.....	130	DBCx6-300RK1.....	130, 132
DBAF71-300.....	27	DBC66-150.....	28, 120	DBCx7-150RK1.....	121, 123
DBAF71-1520.....	27	DBC66-200.....	28, 124	DBCx7-200RK1.....	125, 127
DBAF72-200.....	27	DBC66-300.....	28, 129	DBCx7-300RK1.....	130, 132
DBAF72-300.....	27	DBC67-150.....	28, 120	DBCx9-300RK1.....	130, 132
DBAF72-1520.....	27	DBC67-200.....	28, 124	DBCx9-300RK3 ...	129, 130, 131
DBAF73-200.....	27	DBC67-300.....	28, 129	DBCxx-150RK4.....	121, 123
DBAF73-300.....	27	DBC69-300.....	28, 129	DBCxx-150RK5.....	121, 123
DBAF73-1520.....	27	DBC69-300RK2.....	130, 132	DBCxx-150RK6.....	121, 123
DBAF74-200.....	27	DBC71-150.....	28, 122	DBCxx-150RK7.....	121, 123
DBAF74-300.....	27	DBC71-150RK2.....	123	DBCxx-150RK8 ..	120, 121, 122, 123
DBAF74-1520.....	27	DBC71-200.....	28, 126	DBCxx-150RK9.....	121, 123
DBAF76-200.....	27	DBC71-200RK2.....	127	DBCxx-200RK4 ...	125, 127, 135
DBAF76-300.....	27	DBC71-300.....	28	DBCxx-200RK5 ...	125, 127, 135
DBAF76-1520.....	27	DBC71-300RK2.....	132	DBCxx-200RK6 ...	125, 127, 135
DBAF78-200.....	27	DBC72-150.....	28, 122	DBCxx-200RK7 ...	125, 127, 135
DBAK1-150.....	114, 116	DBC72-150RK2.....	123	DBCxx-200RK8 ..	124, 125, 127, 134, 135
DBAK1-200.....	115, 116	DBC72-200.....	28, 126	DBCxx-200RK9 ...	125, 127, 135
DBAK1-300.....	116	DBC72-200RK2.....	127	DBCxx-300RK4.....	130, 132
DBAK2-150.....	114, 116	DBC72-300.....	28	DBCxx-300RK5.....	130, 132
DBAK2-200.....	115, 116	DBC72-300RK2.....	132	DBCxx-300RK6.....	130, 132
DBAK2-300.....	116	DBC73-150.....	28, 122	DBCxx-300RK7.....	130, 132
DBAK3-150.....	114, 116	DBC73-200.....	28, 126	DBCxx-300RK8 ..	129, 130, 131, 132
DBAK3-200.....	115, 116	DBC73-300.....	28		
DBAK3-300.....	116	DBC74-150.....	28, 122		
DBAK4-150.....	114, 116	DBC74-150RK2.....	123		
DBAK4-200.....	115, 116	DBC74-200.....	28, 126		
DBAK4-300.....	116	DBC74-200RK2.....	127		
DBAK6-150.....	114, 116	DBC74-300.....	28		

DBCxx-300RK9	130, 132	FT191S.....	60	FT302.....	61, 77, 168
DBPI080	11	FT201	55, 76, 163	FT303.....	77, 170
DBPI080-MINI	11	FT201-12.....	55, 76, 163	FT303SS	170
DBS6x-200	119	FT201-18.....	55, 76, 163	FT304	61, 77, 170
DBS61-200	28, 134	FT202.....	55, 76	FT304SS	62, 170
DBS61-200RK1	135	FT202-12.....	55, 76	FT305	61, 77, 168
DBS61-200RK10.....	135	FT202-18.....	55	FT306.....	61, 77, 168
DBS62-200	28, 134	FT203P.....	55, 76, 166	FT306P.....	49
DBS62-200RK1	135	FT203P-SPEC	55	FT307	61, 77, 170
DBS62-200RK4	135	FT203PSPEC	76	FT307SS	62, 170
DBS62-200RK10.....	135	FT203SPEC.....	166	FT310.....	61, 77, 155, 156, 170
DBS63-200	28, 134	FT204P.....	55, 76, 166	FT310SS	62, 155, 156, 170
DBS63-200RK1	135	FT206	56, 76	FT311	61, 77, 155, 156, 170
DBS63-200RK4	135	FT207	53, 76, 167	FT311SS	62, 155, 156, 170
DBS63-200RK10.....	135	FT208	53, 76, 167	FT312.....	168
DBV-BL200	33	FT208-390.....	47	FT313.....	170
DBV-BL300	33	FT208-390G.....	47	FT313SS	170
DBV-BL400	33	FT208-390GS.....	47	FT314.....	61, 77, 170
DBV-BN200	33	FT208-390GST.....	47	FT314SS	62, 170
DBV-BN300	33	FT208-390GT	47	FT315.....	61, 168
DBV-BN400	33	FT208-390P.....	48, 153	FT316.....	61, 157, 168
DBV-VB200.....	33	FT208-390PG.....	48, 153	FT317.....	61, 170
DBV-VB300.....	33	FT208-390PGS.....	48, 153	FT317SS	62, 170
DBV-VB400.....	33	FT208-390PGSO.....	48, 153	FT320.....	61, 62, 77, 153, 155, 158, 159, 170, 172, 174
DEFN075.....	34	FT208-390PGST.....	48, 153	FT321	61, 62, 77, 153, 155, 158, 159, 170, 172, 174
DFN100	34	FT208-390PGT	48, 153	FT322.....	61
DFN100HF	34	FT208-390PP.....	48, 153	FT390.....	63, 77, 172
DFN100SF.....	34	FT208-390PPG.....	48, 153	FT390-20.....	63, 172
DNOG5	35	FT208-390PPGS.....	48, 153	FT390G	63, 77, 172
DNOG5-NL.....	35	FT208-390PPGSO.....	48, 153	FT390G-20.....	63, 172
DNOG6	35	FT208-390PPGST.....	48, 153	FT390GT	63, 172
FG4540.....	13	FT208-390PPGT	48, 153	FT390PG-20.....	49
FT100	59, 76, 163, 164	FT208-391P.....	48, 153	FT390T.....	63, 172
FT100-12.....	59, 76, 163	FT208-391PG.....	48, 153	FT390V.....	63, 172
FT100-18.....	59, 76, 163	FT208-391PGS.....	48, 153	FT391	63, 172
FT100S.....	60, 76	FT208-391PGST.....	48, 153	FT391P-20	49
FT101	59, 76	FT208-391PGT	48, 153	FT391PG-20.....	49
FT101-12.....	59, 76	FT208-391PP.....	48, 153	FT391V.....	63, 172
FT101-18.....	59, 76	FT208-391PPG.....	48, 153	FT393.....	64, 174
FT102.....	59, 76, 165	FT208-391PPGS.....	48, 153	FT394.....	64, 174
FT103.....	59, 76, 165	FT208-391PPGSO.....	48, 153	FT394G	64, 174
FT150.....	53, 76, 163	FT208-391PPGST.....	48, 153	FT394P.....	49, 160
FT150-12.....	53, 76, 163	FT208-391PPGT	48, 153	FT394PG	49, 160
FT150-12P	161	FT208LCM	49	FT394V-G.....	64, 174
FT150-18.....	53, 76, 163	FT208P.....	49, 154, 157	FT394VP	49, 160
FT150-18P	161	FT208PP.....	49, 154	FT394VPG.....	49, 160
FT150P.....	50, 57, 161	FT208PPC.....	49, 154, 157	FT395.....	64, 174
FT150P-12	50, 57	FT208PSS.....	49	FT395G	64, 174
FT150P-18	50	FT295.....	49	FT395P-20	49
FT150S.....	60, 164	FT300.....	61, 77, 170	FT395PG-20.....	49, 160
FT150SP	60	FT300GT	61	FT395V.....	64, 174
FT151	53, 76	FT300GW	61, 170	FT395V-G	174
FT151-12.....	53, 76	FT300P.....	49, 156	FT395VG	64
FT151-18.....	53, 76	FT300PG	49	FT400.....	66, 77
FT151P.....	50	FT300SS	62, 170	FT400-500.....	66, 77
FT151P-12	50	FT300SSGW	62	FT400-1000.....	66
FT151P-18	50	FT301	61, 77, 170	FT401.....	66, 77
FT151RL	57, 76	FT301GT	61	FT401-150.....	66, 77
FT151RL-12.....	57, 76	FT301GW	61	FT401-1000.....	66, 77
FT152.....	53, 76	FT301P.....	49, 156	FT402	66, 77
FT152P.....	50	FT301SS	62, 170	FT403.....	66, 77
FT152RL	57	FT301SSGW	62		
FT155.....	65, 76				

FT404.....	66	FT1002-12.....	58, 78	FT2818.....	52, 79
FT404-150.....	66	FT1003.....	58, 78	FT2818-12.....	52
FT404-1000.....	66	FT1003-12.....	58, 78	FT7500.....	70
FT405-500.....	66	FT1004.....	58, 78	FT7501.....	70
FT406.....	64	FT1004-12.....	58, 78	FT7502.....	70
FT450.....	65, 77	FT1005.....	58, 78	FT7503.....	70
FT451.....	65, 77	FT1005-12.....	58, 78	FT7600.....	70
FT452.....	65	FT1006.....	58, 78	FT7600C.....	70
FT452-002.....	65	FT1006-12.....	58, 78	FT7600CP.....	70
FT470.....	66, 77	FT2001.....	54, 78	FT7600P.....	70
FT520.....	67, 77	FT2001-12.....	54, 78	FT7600S.....	70
FT520CASE.....	67	FT2002.....	54, 78	FT7600SC.....	70
FT520WOGA.....	67	FT2002-12.....	54, 78	FT7600SP.....	70
FT520WOGACASE.....	67	FT2003.....	54, 78	FT7605C.....	70
FT521.....	67, 77	FT2003-12.....	54	FT7620.....	70
FT522.....	67, 77	FT2004.....	54, 78	FT7620P.....	70
FT523.....	67, 77	FT2004-12.....	54, 78	FT7620S.....	70
FT530.....	67	FT2005.....	54, 78	FT7620SP.....	70
FT555.....	68, 77	FT2005-12.....	54, 78	FT7630.....	70
FT555CNVT.....	68	FT2006.....	54, 78	FT7630D.....	70
FT555PA.....	68	FT2006-12.....	54, 78	FT7640-3.....	70
FT555PW.....	68	FT2101.....	54, 78	FT7640-4.....	70
FT590OG.....	68	FT2101-12.....	54, 78	FT9000.....	74, 76, 163
FT590OGT.....	68	FT2102.....	54, 78	FT9000P.....	74, 161
FT590TG.....	68	FT2102-12.....	54, 78	FT9001.....	74, 161, 163
FT590TGT.....	68	FT2103.....	54, 78	FT9002.....	74, 163
FT600.....	69, 70, 72, 77, 177	FT2103-12.....	54, 78	FT9003.....	74, 165, 166
FT600C.....	69, 70, 72, 77, 177	FT2104.....	54, 78	FT9004.....	74, 165, 166
FT600CP.....	69, 70	FT2104-12.....	54, 78	FT9008.....	74, 155, 170
FT600P.....	69, 70, 72, 77	FT2105.....	54, 78	FT9009.....	74, 155, 170
FT600S.....	69, 70, 72, 77, 177	FT2105-12.....	54, 78	FT9010.....	74, 170
FT600SC.....	69, 70, 72, 77, 177	FT2106.....	54, 78	FT9011.....	74, 161, 163
FT600SP.....	70	FT2106-12.....	54, 78	FT9013.....	74, 155, 170
FT601.....	69, 72, 77, 177	FT2801.....	52, 79	FT9020.....	74, 155, 170
FT601-10.....	69, 77, 177	FT2801-12.....	52	FT9021.....	66, 74
FT602.....	69, 77, 177	FT2802.....	52, 79	FT9022.....	66, 74
FT603.....	69, 72, 77	FT2802-12.....	52	FT9023.....	66, 74
FT604.....	69, 77, 177	FT2803.....	52, 79	FT9024.....	66, 74
FT605C.....	70	FT2803-12.....	52	FT9025.....	66, 74
FT606.....	69	FT2804.....	52, 79	FT9029.....	74
FT607.....	69	FT2804-12.....	52	FT9030.....	74, 165
FT620.....	69, 70, 72, 77, 177	FT2805.....	52, 79	FT9031.....	74, 166, 167
FT620P.....	70, 72, 77	FT2805-12.....	52	FT9034.....	75, 155, 170
FT620S.....	69, 70, 72, 77, 177	FT2806.....	52, 79	FT9036.....	75, 154, 167
FT620SP.....	69, 70	FT2806-12.....	52	FT9037.....	67, 75
FT620X620.....	69	FT2807.....	52, 79	FT9040.....	75, 154, 167
FT621.....	69, 72, 77, 177	FT2807-12.....	52	FT9046.....	75, 155, 170
FT622.....	69, 72, 77, 177	FT2808.....	52, 79	FT9051.....	75, 153, 158, 159, 172, 174
FT623.....	69, 72, 77	FT2808-12.....	52	FT9052.....	75, 153, 158, 159, 172, 174
FT624.....	69, 77, 177	FT2811.....	52, 79	FT9055.....	164
FT630.....	70	FT2811-12.....	52	FT9059.....	75, 166
FT630D.....	70	FT2812.....	52, 79	FT9062.....	75, 153, 158, 159, 172, 174
FT640-3.....	70	FT2812-12.....	52	FT9063.....	75, 153, 158, 159, 172, 174
FT640-4.....	70	FT2813.....	52, 79	FT9064.....	75, 166
FT680CNO.....	69	FT2813-12.....	52	FT9065.....	75
FT901.....	58	FT2814.....	52, 79	FT9068.....	75, 153, 155, 158, 159, 162, 164, 170, 172, 174
FT902.....	58	FT2814-12.....	52	FT20800-EXT-2FT.....	51
FT903.....	58	FT2815.....	52, 79	FT20800-EXT-8.....	51
FT904.....	58	FT2815-12.....	52		
FT905.....	58	FT2816.....	52, 79		
FT1001.....	58, 78	FT2816-12.....	52		
FT1001-12.....	58, 78	FT2817.....	52, 79		
FT1002.....	58, 78	FT2817-12.....	52		

FT20800-EXT-25	51	SBC400ALTTMA	31	VR4030CS-4	103
FT20800-EXT-36	51	SBC400ALTTMACP	31	VR4030CS-AL	22
FT20801	51	SC3/8NCX1/2	94	VR4030CS-AL45	22
FT20801S	51	SC5/16-18X2.5P	94	VR4030CS-NP	22
FT20801TWS	51	SC5-16NCX.75FSS	101, 102, 108	VR4030CS-SH	22
FT20802	51	SC1024375-SS	101	VR4040-AL45	104
FT20802S	51	SFIN	35	VR4040-ALS45	104
FT20802TWS	51	SINGLE1518R	177	VR4040CS	22
FT20803	51	SLVL358-1	144	VR4040CS-AL	22
FT20803S	51	SPRG-972	145	VR4040CS-AL45	22
FT20803TWS	51	SPRG-A4630	109	VR4040CSB	104
FT20804	51	SPRG-L368	143, 144, 145	VR4040CSRK1	22, 104
FT20804S	51	SPRG/L4238	103	VR4040CSRK2	22, 104
FT20804TWS	51	SPRG/L4432	101	VR4040CSRK3	104
FT20805	51	SPRG-L4506	108	VR4050AL	19
FT20805S	51	SPRING-L5123	101, 102	VR4050ALC	19, 21
FT20805TWS	51	STEMPACK-L360	144	VR4050ALT	21
FT20806	51	SWMF125	38	VR4050PL	19, 21
FT20806S	51	SWMF150	38	VR4050PL-1200	19
FT20806TWS	51	SWMF200	38	VR4050PLC	21
G200BL	33	SWMF-RK1	146, 148, 150	VR4050PLRK1	100
G200T	33	SWMF-RK2	146, 148, 149	VR4075	100
G200VB	33	SWMF-RK3	146, 148, 149	VR4076	100
G300BL	33	SWMF-RK4	148, 149	VR4077	100
G300T	33	SWMF-RK5	148, 149	VR4086	19
G300VB	33	SWMF-RK6	148, 149	VR4086-BY	19
G400BL	33	SWMF-RK22	146, 150	VR4100	21
G400T	33	SWMF-RK32	146, 150	VR4100-3	101, 102
G400VB	33	SWMF-RK42	150	VR4100F	21
G3050	73	SWMF-RK52	150	VR4100FNG	21
G4000AS	102	TDF6	24	VR4100F-NGNP	21
GS1	24	TDF7	24	VR4100F-SFI	21
GS1-2	24	TDF7RK	109	VR4100NP	21
GS2	24	TDF8	24	VR4100NPS	21
L02BL	33	TDF68RK	109	VR4100RK1	101
L03BL	33	TL4070BZ	19	VR4100S	21
L04BL	33	TRUARC-5100-25	96	VR6000-1	99
L519-12	89	TTF3AL	12	VR6000-2	99
L519-15	88	TTF3AL-3FT	12	VR6000-3	98, 101, 102, 103
L1110-L2287	98	TTF3AL-3MT	12	VR6000-4	98
L2286	24	TTF4AL	12	VR6000-5	98
L2311	96	TTF4AL-3FT	12	VR6000-6	20, 97, 98, 99
L2312	96	TTF4AL-3MT	12	VR6000-7	99, 103
L2373	96	TTF4AL-4EMT	12	VR6000-8	99
L4217	105	TTF4AL-4FT	12	VR6000-9	99
NIPPLE/1	91, 92, 94, 99	TTF4AL-4MT	12	VR6000NP	20
NUT.25HX-SS	110, 111	TTF4ALHC-3MT	12	VR6030RK1	106
NUT-106	35	TTF4ALHC-4MT	12	VR6030RK2	106
NUTL357-1	144	TTF300SP	12	VR6030RK3	106
O-RING#39	94	TTF400SP	12	VR6030RKV1	106
O-RING#132	101, 143, 145	U-CUP-2/75	94	VR6030RKV3	106
O-RING-AS016	144	VAC4030RK	103	VR6030SQ	22
O-RING-AS-129	144	VR3100	21	VR6035RK1	107
O-RING-AS-334	98, 101, 102, 103	VR3100NP	21	VR6035RK2	107
O-RING-AS339-V	101	VR4000	21	VR6035RK3	107
PC30	24	VR4000-2	101	VR6035RK4	107
PIN5/16X 1 1/4P	94	VR4000-3	101	VR6035RKV1	107
PIN-L389-SS	143, 144	VR4000-4	101	VR6035RKV3	107
RING-VH-225	101	VR4000-5	101	VR6035SQ	22
RING-WH-50	110	VR4030-AL45	104	VR6100CAK	97
SA4050AL	19	VR4030CS-1	103	VR6100NP	20
SA4050BZ	19	VR4030CS-3	105	VR6230	98
				VR6500	20

VR6500LPNP20
VR6500NP20
VR6500RK198
VRC3000AL.....22
VRHK.....22
VRHK-C.....22
VRP350022
VRP3500-2.....108
VRP3500-4.....108
VRP3501-6.....108
VRP360022
VRV350122
VRV3501-2108
VRV3501-3108
VRV3501-4108
VRV3501-5108

WASHER.375-SS	89, 93, 98
WH-77	111
A	
Adapters	
150# flange.....	27
API drop	8
Bayonet style.....	30
Female NPS vapor.....	27
Female NPT	26, 30
In-Ground tank.....	19
Jump size female NPT.....	27
Side seal to top seal.....	17
Tank cabinet "Dummy" Weld-on	17
Air interlock valves.....	23
API	
Clamps	33
Couplers.....	32
Drop adapters.....	8
Dust caps.....	8, 9
Flange gaskets	13
Gaskets.....	13
Loading rack cords.....	69
Optic cord assemblies	69
Rack cords.....	72
Thermistor cord assemblies.....	69
Valves.....	7
B	
Breakaways	39
Bulk delivery	35, 36
C	
Cables and strain reliefs	66
Cam and groove	12, 28, 29
Caps	31
Automatic pressure/vacuum relief	40
In-ground tank	19
Orange vapor	21
Tanker pipe	24
Vent	
Stationary tank.....	40
Clamps.....	33
Competitor cross reference charts	
API rack cords	72, 77
Hardware & system testers	77
Liquid level sensors.....	76
Onboard systems	78, 79
Sockets	77
Couplers.....	29
API.....	32
Bayonet style.....	30
Female NPT	29, 30
Female NPT, greaseless.....	28
Female NPT swivel.....	28
Couplings	
Bayonet style.....	30
Breakaway	31
Dry disconnects.....	26, 28, 29, 30
Vapor hose.....	22
D	
Drop adapters.....	8
Dry Disconnects	
Adapters	26, 27
Bayonet.....	30, 31
Cam and Groove.....	26, 28
Cam and Groove D2C.....	29
Dust caps.....	9, 61, 62
E	
Elbows	
Coaxial	17
Dual point.....	20
Fuel delivery.....	14, 16, 17
Height extensions	17
Inlets	16
Side seal	16
Single point coaxial.....	18
Vapor recovery.....	18, 20
F	
Flanges	
150# adapter	27
Cam and groove	12
Gaskets.....	13
Reducers.....	13
Sight flow indicator.....	10
FloTech	
2 Wire systems	52, 53, 54, 55, 65
5 Wire systems.....	58, 59
API optic 5 wire	58, 59
Onboard monitors	59
Overfill sensors.....	59
Replacement probes	59
Top detection only.....	58
Checkmate overfill detection systems	
Overfill detection sensors.....	53
Top and bottom detection	52
Top detection only.....	52
Checkmate overfill/retain plug-n-play system..	47, 48, 49, 50,
51	
Monitors, integrated dual sockets	47, 48
Monitors, stand alone	49
Socket assemblies, stand alone.....	49
Checkmate overfill/retain system	53
Monitors.....	53
Replacement probes	53
Retain sensors.....	53
Sensor Dummy.....	65
FT151RL ROM Link	57
Junction boxes	70
Monitors.....	47, 48, 49, 53, 55
Monitors, Rack control.....	71
Plug-n-Play System	47, 48, 49, 50, 51
Probe and sensor housing.....	60
Replacement parts.....	74, 75
ROM type overfill detection.....	54
Monitors.....	55

ROM type overfill/retain detection	54	In-ground tank adapters	19
Replacement probes	55, 57	J	
Sensors	56	Junction boxes	70
Sensors	59	Assembly accessories	70
Checkmate, Plug-n-Play	50	L	
Overfill detection replacement		Loading rack cords	69
API Optic 5 wire	59	Locking kit, dry disconnect	29
Black & white 2 wire	53	M	
Red & black 2 wire	55	Monitors	
Retain	50, 53	5 Wire systems	58
ROM Link™	57	Black & white 2 wire systems	52, 53
ROM type		Rack control	71
Retain	56	Red & black 2 wire systems	54, 55, 56
Sockets		ROM type onboard	55
Dual integrated	47, 48	Stand alone	49
EZ-Cept		w/Integrated dual sockets	47, 48
Double	63	Wiring harnesses	51
Single		N	
Aluminum hardcoat J-slot	61	Nozzles	
GFL J-slot wear rings	62	Breakaways	39
Socket profiles	80	Spouts	35, 36, 37
Stand alone assemblies	49	Swivels	38
Trailer identification module	66, 67	Nozzles, Fuel	
Truck testers	67, 68	Ball	36
Wiring harnesses	51	Big Mouth™ Diesel	34
Fuel compatibility chart	3	Bulk delivery	35, 36
Fuel delivery		DEF auto shutoff	34
6500 Series	14	Fueller 100™ auto diesel	35
Coaxial elbow-replacement fuel inlets and vapor outlets	17	Fuel Master™ Diesel	34
Connectors	16	Pressure	35, 37
Elbow height extensions	17	O	
Elbow inlets	16	Optic system testers	67
Elbows	14, 16	Overfill detection	
Adapters	17	API Optic	58, 59
Fuel station	19	Checkmate	47, 48, 49, 50, 51, 52, 53
Side seal	16	ROM type	54, 55, 56, 57
Single point coaxial elbows	18	P	
Straight drop	16	Plug-n-Play System	47, 48, 49, 50, 51
Tank cabinet dummy weld-on	17	Plugs	31
Fuel nozzles	35, 36, 37	Probes	46, 50, 53, 55, 59, 60
Fuel tanker	33	Product indicators	11
Ball valves	24	R	
Hose tube doors	24	Replacement parts	
Pipe caps	24	Air interlock valves	
Static grounding balls	24	5000AIHD Series	110
Fuel tanker overfill detection 46, 47, 48, 49, 50, 51, 52, 53, 54, 55, 56, 57, 58, 59, 60, 61, 62, 63, 64, 65, 66, 67, 68, 69, 70, 71, 72, 73, 74, 75, 76, 77, 78, 79, 80, 81		5000AIRHD Series	109
G		5000AIR Series	109
Gaskets		5000AI Series	110
Clamp	33	5000AIVHD Series	111
Flange	13	5000AIV Series	111
Gravity drop adapter	8	5006AIHD Series	112
Grounding balls	24, 65	Angle valves	
Grounding bolt	65	H	
H		Hose tube doors	24
Housing, Probe & sensor	60	I	
I			

500AV Series	147	FT393 Series	173, 174
525AV Series	147	FT394 Series	173, 174
API bottom load valves		FT395 Series	173, 174
5204 Series	84, 85	Gravity drop adapters	
API dust caps		4530 Series	88
5000-24 Series	86	4530SG Series	88
5205 Series	86	4540F Series	88
API optic onboard monitors		4540 Series	88
FT102 Series	165	4540SG Series	88
FT103 Series	165	Gravity nozzles	
BA/BS/BSS series bayonet style dry disconnects		1250-94 Series	145
90° and Straight swivel couplers	140, 141	Ground bolt	
Ball nozzles		FT450 Series	175
BL Series	148, 149	Hose shank and check valve swivels	147
BL super Series	150, 151	Repair kits	147
Bottom unit D handle elbows		Lockable API caps	
6000 Series	91	5000-24L Series	87
6303 Series	91	Outbreathing and Inbreathing vents	
6304 Series	91	VRP3500 Series	108
Bottom unit for side level elbows		VRP3600 Series	108
6500 Series	92	VRV3501 Series	108
Bulk delivery nozzles		Overfill sensor housings	
112DNS Series	143	FT101 Series	163
112D Series	143	FT151 Series	163
114DNS Series	144	FT191S Series	164
114D Series	144	FT202 Series	163
Checkmate programmable onboard monitor		Plug-n-Play monitors with integrated dual sockets	153
FT207 Series	167	FT208-39XP Series	152
FT208 Series	167	Plug-n-play overfill sensor housings	
Co-axial drop elbow		FT151P Series	161
6400 Series	94, 95	Plug-n-play retain sensor housing	
D2C cam and groove actuator style dry disconnects		FT152P Series	162
Stainless couplers	136	Plug-n-Play stand alone monitors	
DBA cam and groove dry disconnects		FT208P Series	154
Aluminum and stainless adapters	114, 115, 116	Plug-n-play stand alone sockets	
Repair kits	116	FT300P Series	155, 156
DBAF cam and groove dry disconnects		FT301P Series	155, 156
Stainless flange adapters	118	FT306P-5 Series	157
DBC cam and groove dry disconnects		FT390PG-20 Series	158
Aluminum and stainless couplers	119	FT394P Series	159, 160
Aluminum couplers	120, 121, 124, 125, 128, 129, 130	FT395P Series	159, 160
Stainless couplers	122, 123, 126, 127, 131, 132	Rack cords	177
DBS 90° swivel cam and groove dry disconnects		FT620P Series	176
Aluminum 90° swivel couplers	133, 134, 135	Retain sensor housings	
DBVA cam and groove dry disconnects		FT152 Series	164
Stainless vapor adapter	117	FT206 Series	164
Drop Adapter Mounting Ring		ROM type onboard monitor	
4500 Series	89	FT203 Series	166
Drop Adapter Outlets		FT204 Series	166
4500 Series	89	SA4050AL Caps	100
Drop elbow inlets		Sequential vapor vents	
6000 Series	90	VR6030SQ Series	106
6500 Series	90	VR6035SQ Series	107
Dry disconnect bayonet style		Side seal adapters	
90° Straight swivel couplers	139	6000-SSA Series	96
Adapters	137	Side seal elbows	
Straight non-swiveling couplers	138	6000AS Series	96
Dust caps with handle		Sight glass	
400-DC-ALPH	112	5200-SFI Series	90
EZ-cept double sockets		Single J-slot sockets	
FT390 Series	171, 172	FT30X Series	169, 170
FT391 Series	171, 172	Single sockets	
EZ-cept triple sockets		J560 Series	168

Straight drop fittings
 6303 Series 93
 6304 Series 93
 Swivels
 Repair kits 146
 SWMF125 Series 146
 SWMF150 Series 146
 SWMF200 Series 146
 Top D handle elbows
 6000 Series 91
 Top side lever elbows
 6500 Series 93
 Tube doors
 TDF Series 109
 Utility nozzles
 900 Series 145
 Vapor adapters
 VR4086 Series 102
 Vapor caps 100
 Bronze 100
 Nylon 100
 Vapor elbows
 VR6000NP Series 99
 VR6100 Series 97
 VR6500 Series 98
 Vapor hose couplers
 4020-CVR-AL Vapor hose couplers 103
 VR404CS-4MNPT 104
 VR3000AL 105
 VR4030CS-AL 103
 VR4030CS-NP 105
 VR4040CS-AL 104
 VR4100F-SFI 102
 Vapor hose valves
 VR3100 Series 101
 VR4000 Series 101
 VR4100F Series 102
 VR4100 Series 101

S

Sensor dummy 65
 Sensor housings 60
 Sensors 46, 50, 52, 53, 54, 55, 56, 57, 58, 59, 60
 Sight flow indicators 10
 Sockets
 Dual 47, 48
 EZ-Cept Double 63
 EZ-Cept Triple 64
 Single 61, 62
 Socket profiles 80, 81
 Stand alone 49
 Triple 64
 Static discharge reels 73
 Static grounding balls 24
 Supertanker 6
 Swivels 38

T

Testers
 Optic system 67
 Rack monitor 68

Truck 68
 Trailer identification module chip readers 66
 Trailer identification modules 66
 TTMA
 Breakaway Coupling 31
 Butterfly valve spacers 13
 Flanged cam and groove 12
 Flanged sight flow indicators 10
 Flange reducers 13
 Flanges 12
 Gaskets 13

V

Valves
 Air interlock 23
 Accessories 23
 Heavy Duty 23
 Standard 23
 API
 Load only 7
 Load/unload 7
 Ball
 One way full flow 25
 Two way 3 port diverting 25
 Vapor return 21
 Vapor recovery
 Dual point elbows 20
 Elbows 18, 20
 Hose couplings 21
 Single point coaxial elbows 18
 Vent caps
 40
 Vents
 Outbreathing & inbreathing 22
 Sequential 22

Limited Warranty

DIXON VALVE AND COUPLING COMPANY, LLC (herein called "Dixon") warrants the products described herein and manufactured by Dixon to be free from defects in material and workmanship for a period of one (1) year from date of shipment by Dixon under normal use and service. Its sole obligation under this warranty being limited to repairing or replacing, as hereinafter provided, at its option any product found to Dixon's satisfaction to be defective upon examination by it, provided that such product shall be returned for inspection to Dixon's factory within three (3) months after discovery of the defect. The repair or replacement of defective products will be made without charge for parts or labor. This warranty shall not apply to: (a) parts or products not manufactured by Dixon, the warranty of such items being limited to the actual warranty extended to Dixon by its supplier; (b) any product that has been subject to abuse, negligence, accident, or misapplication; (c) any product altered or repaired by others than Dixon; and (d) to normal maintenance services and the replacement of service items (such as washers, gaskets, and lubricants) made in connection with such services. To the extent permitted by law, this limited warranty shall extend only to the buyer and any other person reasonably expected to use or consume the goods who is injured in person by any breach of the warranty. No action may be brought against Dixon for an alleged breach of warranty unless such action is instituted within one (1) year from the date the cause of action accrues. This limited warranty shall be construed and enforced to the fullest extent allowable by applicable law.

Other than the obligation of Dixon set forth herein, Dixon disclaims all warranties, express or implied, including but not limited to any implied warranties of merchantability or fitness for a particular purpose, and any other obligation or liability. The foregoing constitutes Dixon's sole obligation with respect to damages, whether direct, incidental, or consequential, resulting from the use or performance of the product.

Some products and sizes may be discontinued when stock is depleted or may require a minimum quantity for ordering.

About This Catalog and Our Products

This catalog is intended as a product offering. It is not a user or technical manual. Information in this catalog is subject to change without notice. We may modify product design and specification without notice and without any obligation to modify or substitute products previously purchased. All users and distributors of products sold through this catalog are strongly encouraged to contact Dixon with questions on use, compatibilities, coupling procedures, and life of product. Our full-time engineering and test staff are always available to recommend uses and to assist distributors and users with questions.



Safety



Safety logos, which appear throughout our catalog, are used as a reminder that the user should carefully review for the appropriateness of the product for the media, application, and environment in which it will be used.

NOTE: Because of the health hazards associated with contamination and lead content in drinking water systems, Dixon couplings, unless otherwise specifically approved, are not recommended for potable water service and should not be used in applications where drinking water will contact the wetted surfaces of the coupling.

All Dixon products are shipped in cartons with the following warning:

"WARNING: This product contains lead, a chemical known to the State of California to cause cancer and birth defects or other reproductive harm."

Trademarks

Delrin® and Zytel® are registered trademarks of E.I. duPont Nemours and Company.

Kalrez® is a registered trademark of DuPont Dow Elastomers.

All other trademarks appearing in the Dixon illustrated price list are the property of their respective owners.

Copyright

Copyright © 2024 by Dixon Valve and Coupling, LLC

All rights reserved. This book is copyrighted material. Use, reproduction or copying of it by anyone other than Dixon® is strictly forbidden without its express written consent.

NOTE: Reasonable care has been taken in preparing this catalog. Dixon Valve & Coupling Company, LLC reserves the right to make corrections.



