

## B5116-Series - 304 Stainless Steel Butterfly Valves

### Features

- Manual operation only; cannot be actuated
- Product contact are sanitary finish to <32Ra
- Can be serviced in field
- Blue trigger handle

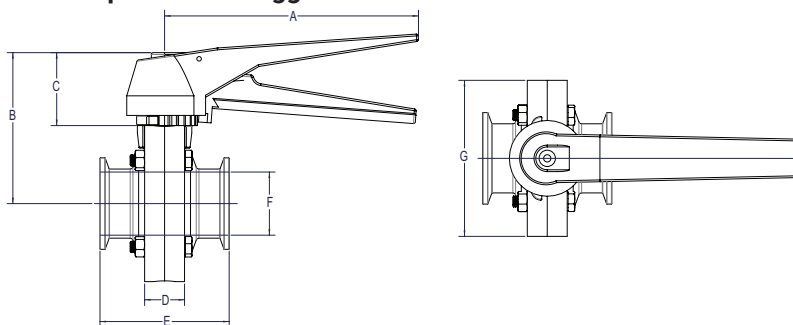
### Material

- Silicone seats

### Specifications

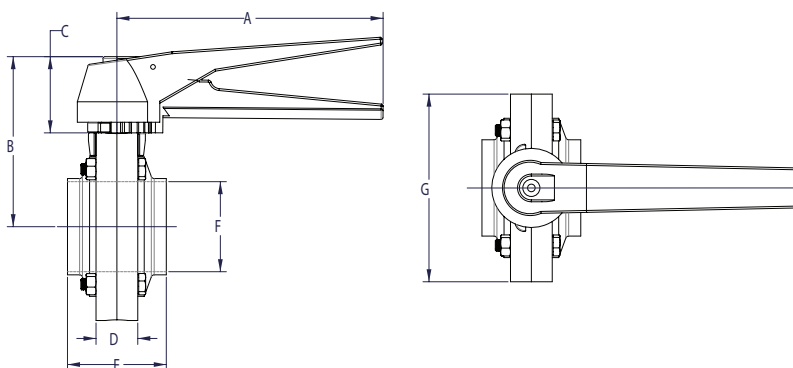
- Operating temperature range: 15°F to 200°F (-9°C to 93°C)
- Maximum operating pressure: 110 PSI

#### Clamp End with Trigger Handle



Size	Dimensions							304 Stainless Steel Part #
	A (in)	B (in)	C (in)	D (in)	E (in)	F (in)	G (in)	
1-1/2"	5.70	3.40	1.60	0.87	2.80	1.40	3.40	B5116S150CC-C
2"	5.70	3.60	1.60	0.87	3.00	1.90	3.90	B5116S200CC-C
3"	5.70	4.20	1.60	0.87	3.30	2.90	5.00	B5116S300CC-C
4"	6.89	5.51	1.60	0.87	3.62	3.83	6.89	B5116S400CC-C

#### Weld End with Trigger Handle



Size	Dimensions							304 Stainless Steel Part #
	A (in)	B (in)	C (in)	D (in)	E (in)	F (in)	G (in)	
1-1/2"	5.70	3.40	1.60	0.87	1.97	1.40	3.40	B5116S150BB-C
2"	5.70	3.60	1.60	0.87	2.05	1.90	3.90	B5116S200BB-C
3"	5.70	4.20	1.60	0.87	2.12	2.90	5.00	B5116S300BB-C
4"	6.89	5.51	1.60	0.87	2.52	3.83	6.89	B5116S400BB-C

#### Replacement Seats

Size	Part #
1-1/2"	B5116-RKS150
2"	B5116-RKS200
3"	B5116-RKS300
4"	B5116-RKS400

NOTE: Cannot be actuated and is supplied with silicone seats only.

M