



## Pharmaceutical Pressure Gauges



3P-D-15U-GFBT

### Sizes

- Dial size: 3-1/2" or 5" diameter

### Materials

- Lens: polycarbonate
- Case: 304 stainless steel

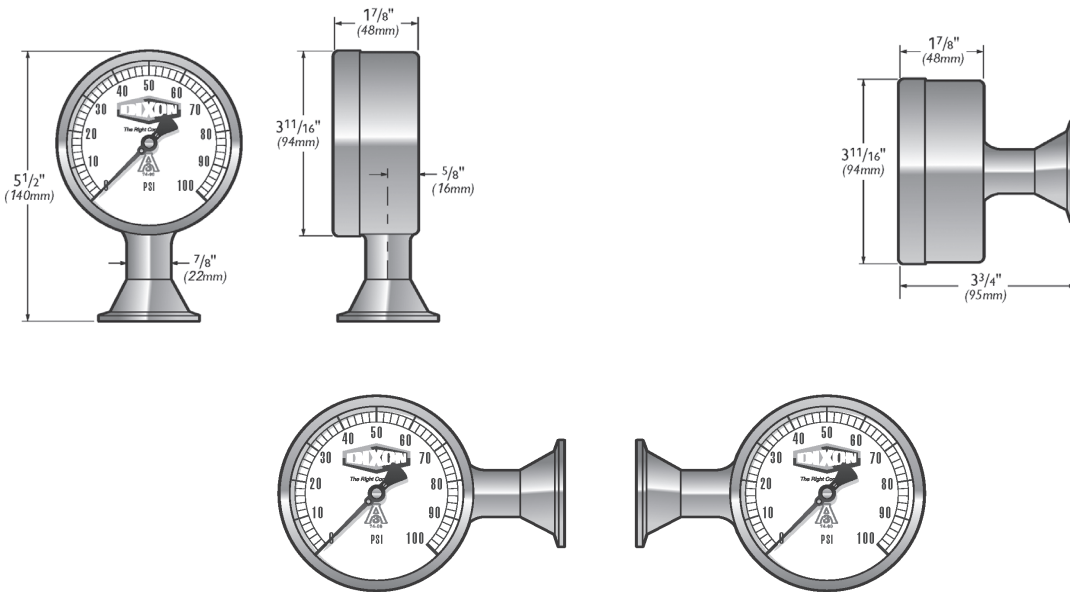
### Features

- Accuracy:  $\pm 0.75\%$  of full scale
- Over range capacity: 30%
- Product contact: 316L stainless steel
- Surface finishes (product contact): Ra max = 8 microinches
- Standard fill: food grade glycerin
- Rezero feature: standard on pointer
- Shipping weight: approximately 3 lbs. (1.3 kg)

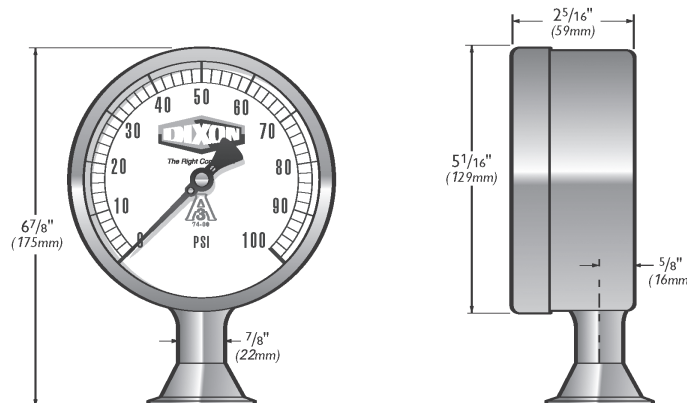
### Specification

- Temperature limits: 0°F to 250°F (-18°C to 121°C)

### 3-1/2" Gauge - (90 mm)



### 5" Gauge - (120 mm)



Product not returnable and no cancellations.