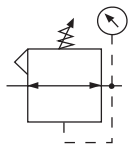


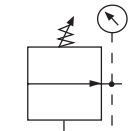
Regulator R18

B

Filters, Regulators, Lubricators



Relieving



Non-Relieving



Features

- Balanced Valve Design
- Spring-loaded Diaphragm
- 4 Adjusting Pressure Ranges Available
- 1/2" NPT / BSPP-G Over-port
- 2 Gauge Ports
- Regulator will Reverse-flow as Standard

Specifications

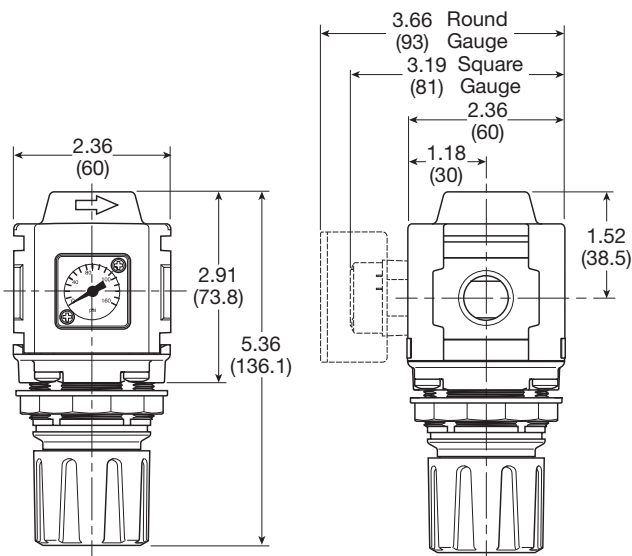
Flow Capacity*	1/4	148 SCFM (70 dm ³ /s, ANR)
	3/8	165 SCFM (78 dm ³ /s, ANR)
	1/2	165 SCFM (78 dm ³ /s, ANR)
Adjusting Range Pressure		0 to 30 PSIG (0 to 2 bar)
		0 to 60 PSIG (0 to 4 bar)
		0 to 125 PSIG (0 to 8 bar)
		0 to 250 PSIG (0 to 17 bar)

Gauge Port (2 ea.)	NPT / BSPP-G	1/4
Maximum Supply Pressure		300 PSIG (20.7 bar)
Operating Temperature		-13° to 150°F (-25° to 65.5°C)
Port Size	NPT / BSPP-G	1/4, 3/8, 1/2
Weight		0.90 lb (0.41 kg)

* Inlet pressure 145 psig (10 bar). Secondary pressure 91.3 psig (6.3 bar) and 14.5 psig (1 bar) pressure drop.

Materials of Construction

Adjustment Knob	Acetal
Body	Aluminum
Body Cap	ABS
Bonnet	33% glass-filled nylon
Diaphragm Assembly	Nitrile / Steel
Valve Assembly	Brass / Nitrile
Panel Nut	Acetal
Seals	Nitrile
Springs	Main Regulating Valve: Steel, Stainless Steel



Inches (mm)

NOTE: 1.90 in. (48mm) hole required for panel nut mounting.

WARNING

Product rupture can cause serious injury. Do not connect regulator to bottled gas. Do not exceed maximum primary pressure rating.

CAUTION:

REGULATOR PRESSURE ADJUSTMENT – The working range of knob adjustment is designed to permit outlet pressures within their full range. Pressure adjustment beyond this range is also possible because the knob is not a limiting device. This is a common characteristic of most industrial regulators, and limiting devices may be obtained only by special design.

For best performance, regulated pressure should always be set by increasing the pressure up to the desired setting.

= "Most Popular"

Replacement Kits

- Adjusting Knob..... RRP-96-655
- Diaphragm Assembly –
 - Non-relieving RRP-96-657B
 - Relieving..... RRP-96-656B
- Spring, Regulating –
 - 0 to 30 PSIG (0 to 2.1 bar) RRP-96-659B
 - 0 to 60 PSIG (0 to 4.1 bar) RRP-96-660B
 - 0 to 125 PSIG (0 to 8.6 bar) RRP-96-661B
 - 0 to 250 PSIG (0 to 17.2 bar) RRP-96-662B

Accessories

- Panel Mount Nut –
 - Aluminum..... RRP-96-673
 - Plastic..... RRP-96-675B
- Gauge, Pressure –
 - Square flush mount gauge
 - 0-4 bar K4511SCR04B
 - 0-11 bar K4511SCR11B
 - 0-60 PSIG..... K4511SCR060
 - 0-160 PSIG..... K4511SCR160
 - Square with adapter kit
 - 0-4 bar P6G-PR10040
 - 0-11 bar P6G-PR10110
 - 0-60 PSIG..... P6G-PR90060
 - 0-160 PSIG..... P6G-PR90160
 - 50mm (2") round 1/4" center back mount
 - 0-30 PSIG / 0-2 bar K4520N14030
 - 0-60 PSIG / 0-4 bar K4520N14060
 - 0-160 PSIG / 0-11 bar K4520N14160
 - 0-300 PSIG / 0-20 bar K4520N14300
 - 1-3/4" Digital Round 1/4" NPT
 - 0 to 160 PSIG..... K4517N14160D

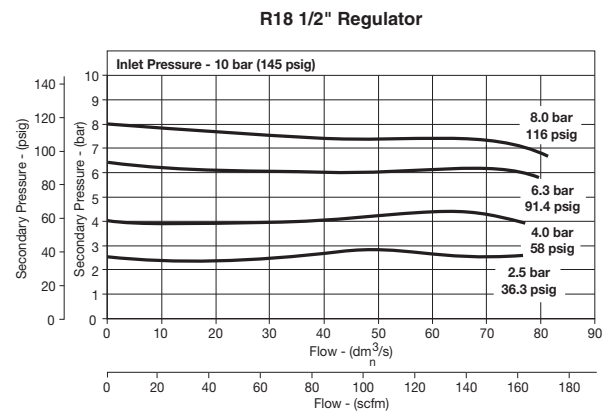
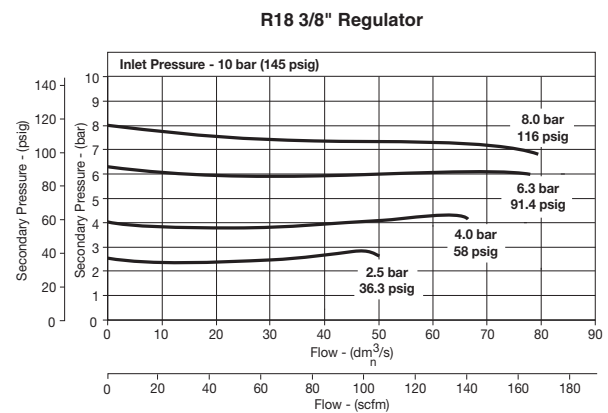
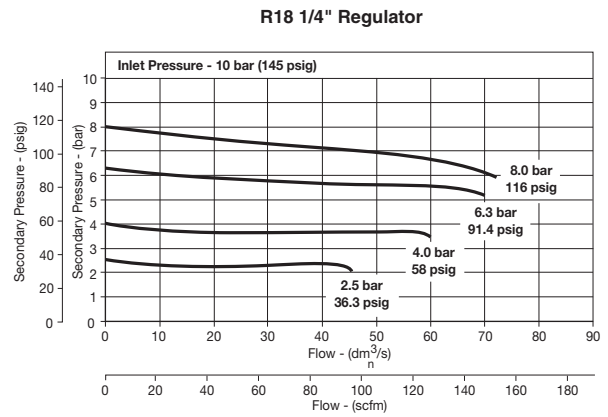
For best performance, regulated pressure should always be set by increasing the pressure up to the desired setting.

- Tamper Resistant Kit..... RRP-96-671
- Tamperproof Lock and Cover Kit..... RPA-96-737
- Tamperproof Knob Kit..... RPA-96-738
- Wall Mounting Bracket –
 - L-Type GPA-96-606
 - T-Type GPA-96-602

Ordering Information

Model Type	Port Size	With Gauge 5 to 125 PSIG (0.4 to 8.6 bar)	With Gauge 10 to 250 PSIG (0.7 to 17.2 bar)	With Gauge 3 to 60 PSIG (0.2 to 4.1 bar)	Without Gauge 5 to 125 PSIG (0.4 to 8.6 bar)
Relieving	1/4	R18-02-F0G0B	R18-02-G0G0B	R18-02-D0G0B	R18-02-F000B
	3/8	R18-03-F0G0B	R18-03-G0G0B	R18-03-D0G0B	R18-03-F000B
	1/2	R18-04-F0G0B	R18-04-G0G0B	R18-04-D0G0B	R18-04-F000B

Options - To order an option supplied with the unit model, add the appropriate coded suffix letter in the designated position of the model number.



B
Filters, Regulators, Lubricators