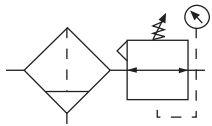


# Filter / Regulator B08



B

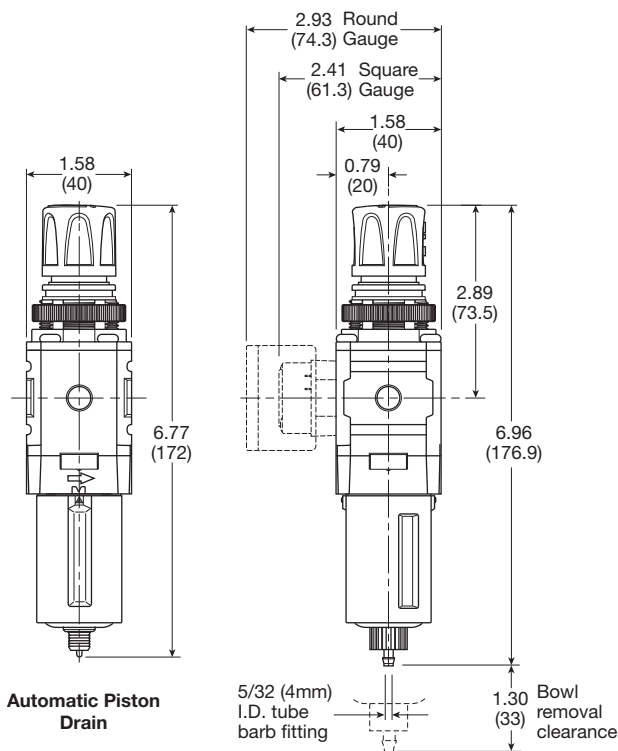
Filters, Regulators, Lubricators

## Features

- Space-Saving Integral Filter / Regulator Design
- Unique Flush-mounted Pressure Gauge Available
- Balanced Valve Design
- Modern Design and Appearance
- Light Weight
- High Flow Capacities
- Quick-Disconnect Bowl / Bowl Guard

### WARNING

**Product rupture can cause serious injury.  
Do not connect regulator to bottled gas.  
Do not exceed maximum primary pressure rating.**



## Specifications

Flow Capacity*	1/4	73 SCFM (35 dm <sup>3</sup> /s, ANR)
Adjusting Range Pressure		0 to 30 PSIG (0 to 2 bar)
		0 to 60 PSIG (0 to 4 bar)
		0 to 125 PSIG (0 to 8 bar)
		0 to 232 PSIG (0 to 16 bar)
Gauge Ports (2)**	NPT	1/8
Maximum Supply Pressure	Plastic Bowl	150 PSIG (10.3 bar)
	Metal Bowl	250 PSIG (17.2 bar)
Operating Temperature†	Plastic Bowl	14° to 125°F (-10° to 52°C)
	Metal Bowl	14° to 150°F (-10° to 65.5°C)
Port Size	NPT / BSPP-G	1/4
Bowl Capacity		0.4 oz
Standard Filtration		5 Micron
Weight		0.42 lb. (0.19 kg)

\* Inlet pressure 145 psig (10 bar). Secondary pressure 91.3 psig (6.3 bar) and 14.5 psig (1 bar) pressure drop.

\*\* Non-gauge option only.

† Units with square gauges: 5°F to 150°F (-15°C to 65.5°C)

**"F" Series Filters, Type "A" 5 micron elements:** All Wilkerson Type "A" 5 micron elements **meet or exceed ISO Class 3** for maximum particle size and concentration of solid contaminants.

**Air quality:** Within ISO 8573-1: 1991 Class 3 (Particulates)  
Within ISO 8573-1: 2001 Class 6 (Particulates)

## Materials of Construction

Adjustment Knob	Acetal	
Body	Aluminum	
Body Cap	ABS	
Bonnet	PBT	
Bowl	Plastic Bowl	Polycarbonate
	Metal Bowl	Aluminum
Bowl Guard	Nylon	
Diaphragm Assembly	Brass / Nitrile	
Filter Element	Polyethylene	
Panel Nut	Acetal	
Seals	Plastic Bowl	Nitrile
	Metal Bowl	Nitrile
Springs	Steel	
Valve Assembly	Brass / Nitrile	

## CAUTION:

**REGULATOR PRESSURE ADJUSTMENT** – The working range of knob adjustment is designed to permit outlet pressures within their full range. Pressure adjustment beyond this range is also possible because the knob is not a limiting device. This is a common characteristic of most industrial regulators, and limiting devices may be obtained only by special design.

For best performance, regulated pressure should always be set by increasing the pressure up to the desired setting.

Inches (mm)

= "Most Popular"

### Replacement Bowl Kits

- Metal Bowl, Manual Drain.....GRP-96-714
- Plastic Bowl / Bowl Guard, Manual Drain.....GRP-96-712

### Replacement Element Kit

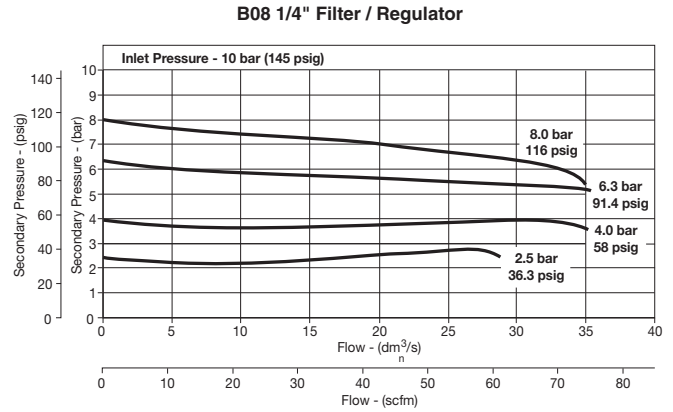
- Type "A", 5 Micron ..... FRP-96-729

### Replacement Kits

- Adjusting Knob..... RRP-16-005-000
- Diaphragm Assembly –
  - Non-relieving ..... GRP-96-726B
  - Relieving..... GRP-96-725B
- Spring, Regulating –
  - 0 to 125 PSIG (0 to 8.5 bar)..... GRP-96-717B

### Accessories

- Automatic Piston Drain .....GRP-96-716
- Panel Mount Nut –
  - Aluminum..... RPA-96-733
  - Plastic ..... RPA-96-734
- Gauge, Pressure Flush Mounted –
  - 0 to 60 PSIG.....K4511SCR060
  - 0 to 150 PSIG.....K4511SCR150
  - 0 to 4 bar ..... K4511SCR04B
  - 0 to 11 bar ..... K4511SCR11B
  - 0 to 60 PSIG (0 to 4.1 bar)
    - 1-1/2" Dial Face, 1/8 NPT, CBM.....K4515N18060
    - 0 to 160 PSIG (0 to 11.0 bar)
      - 1-1/2" Dial Face, 1/8 NPT, CBM.....K4515N18160
  - Square with Adapter Kit
    - 0-4 bar ..... P6G-PR10040
    - 0-11 bar..... P6G-PR10110
    - 0-60 psig..... P6G-PR90060
    - 0-160 psig..... P6G-PR90160
- Tamper Resistant Kit..... RPA-96-735
- Tamperproof Lock and Cover Kit..... RPA-96-736
- Wall Mounting Bracket -
  - C-Type.....GPA-97-010
  - L-Type.....GRP-96-739



**B**  
Filters, Regulators, Lubricators

### Ordering Information

Model Type	Port Size	Plastic Bowl / Bowl Guard / Manual Drain / Without Gauge / 0 to 30 PSIG (0 to 0.2 bar)	Plastic Bowl / Bowl Guard / Manual Drain / Without Gauge / 0 to 125 PSIG (0 to 8.6 bar)	Plastic Bowl / Bowl Guard / Manual Drain / With Gauge / 0 to 20 PSIG (0 to 2.0 bar)	Plastic Bowl / Bowl Guard / Manual Drain / With Gauge / 0 to 125 PSIG (0 to 8.6 bar)	Plastic Bowl / Bowl Guard / Manual Drain / Without Gauge / Low Pressure / Without Gauge / 0 to 60 PSIG (0 to 4.1 bar)	Plastic Bowl / Bowl Guard / Manual Drain / Automatic Piston / With Gauge / 0 to 125 PSIG (0 to 8.6 bar)
Relieving	1/4	B08-02-CK00B	B08-02-FK00B	B08-02-CKG0B	B08-02-FKG0B	B08-02-DK00B	B08-02-FRG0B
Non-relieving	1/4	B08-02-PK00B	B08-02-RK00B	B08-02-PKG0B	B08-02-RKG0B	B08-02-WK00B	B08-02-RRG0B

**Options** - To order an option supplied with the unit model, add the appropriate coded suffix letter in the designated position of the model number.