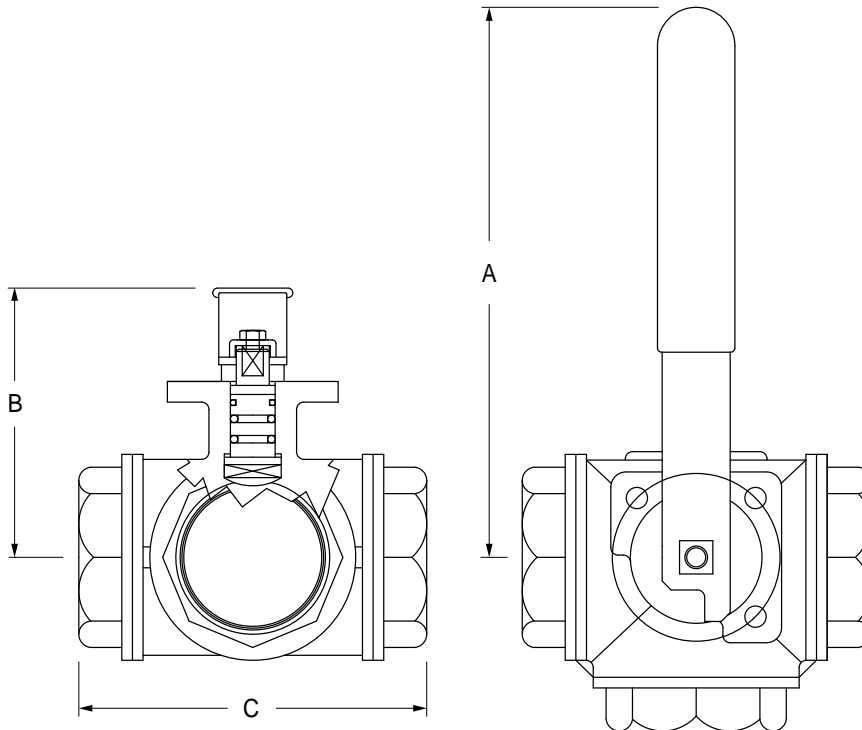


## 3-way Industrial Brass Ball Valves

**Features:**

- reduced port brass ball valves with FNPT ends
- blow-out proof stem
- ISO 5211 mounting pad
- PTFE seats with O-ring backing
- double O-ring stem packing
- for flow options see page 641
- private label handle covers available, see page 652
- maximum pressure: **400 PSI WOG**
- maximum temperature: **300°F (149°C)**

**M**

Size	A	B	C	Break Torque (in-lbs.)	Weight (lbs.)	Brass 'L' port Part Number	Brass 'T' port Part Number
1/4"	4.8	2.4	2.6	79	1.22	<i>BV3BVLR-0251-A</i>	<i>BV3BVTR-0251-A</i>
3/8"	4.8	2.4	2.6	79	1.16	<i>BV3BVLR-0381-A</i>	<i>BV3BVTR-0381-A</i>
1/2"	4.8	2.4	2.9	79	1.21	<i>BV3BVLR-0501-A</i>	<i>BV3BVTR-0501-A</i>
3/4"	4.8	2.5	3.2	79	1.44	<i>BV3BVLR-0751-A</i>	<i>BV3BVTR-0751-A</i>
1"	6.7	3.0	3.7	225	2.64	<i>BV3BVLR-1001-A</i>	<i>BV3BVTR-1001-A</i>
1-1/4"	6.7	3.2	4.4	225	4.15	<i>BV3BVLR-1251-A</i>	<i>BV3BVTR-1251-A</i>
1-1/2"	6.7	3.7	4.9	225	6.02	<i>BV3BVLR-1501-A</i>	<i>BV3BVTR-1501-A</i>
2"	9.1	4.4	5.7	412	9.08	<i>BV3BVLR-2001-A</i>	<i>BV3BVTR-2001-A</i>
2-1/2"	9.1	4.9	6.9	570	16.33	<i>BV3BVLR-2501-A</i>	<i>BV3BVTR-2501-A</i>
3"	9.1	4.9	7.1	570	19.55	<i>BV3BVLR-3001-A</i>	<i>BV3BVTR-3001-A</i>

All dimensions are in inches unless otherwise noted. Engineering dimensions are available upon request. Specifications are subject to change without notice.