

Pneumatically Actuated 3-Way Stainless Ball Valves - 'T / L' Port

See page 874 for flow path options.

A flow path needs to be selected at time of order. If no flow path is selected, the option number labeled as default will be shipped.

Customer verification is critical. If flow path needs to be changed after being shipped, labor and shipping charges will apply.

For spring return actuators: must not fail position.



Features:

3-Way Stainless Ball Valve

- full port
- female NPT ends
- blow-out proof stem
- live-loaded stem packing
- ISO 5211 mounting pad
- 100% air tested under water at **80 PSI**
- working pressure: ¼" to 1": **1000 PSI**;
1¼" to 2": **800 PSI**
- temperature range: **-20°F to 450°F (-29°C to 232°C)**

Rack and Pinion Actuator

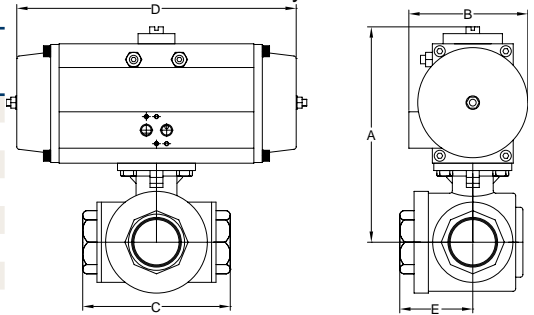
- hard anodized aluminum body
- nickel plated anti-blowout pinion
- Buna-N O-rings
- NAMUR mounting
- bi-directional stops for ±5° travel adjustment
- 80 PSI plant air required
- visual position indication
- maximum operating pressure: **120 PSI**
- operating temperature range: **-40°F to 200°F (-40°C to 93°C)**
- tested to one million cycles

Spring Return (normally closed)

All dimensions are given in inches, unless noted. Dimensions are approximate. Engineering dimensions are available upon request. Specifications are subject to change without notice.

* T = t-style
* L = l-style

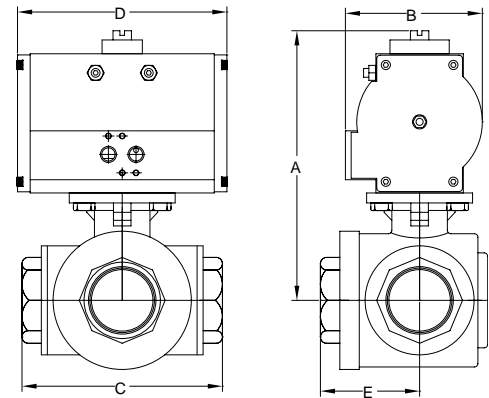
Size	A	B	C	D	E	316 Stainless Steel Part #
1/4"	5.35	3.20	2.83	7.10	1.41	BV3IG*F-0251BBC
3/8"	5.35	3.20	2.83	7.10	1.41	BV3IG*F-0381BBC
1/2"	5.55	3.20	3.26	7.10	1.63	BV3IG*F-0501BBC
3/4"	6.30	3.74	3.89	7.45	1.94	BV3IG*F-0751BBC
1"	6.83	3.74	4.40	7.45	2.20	BV3IG*F-1001BBC
1¼"	7.13	3.74	4.92	7.45	2.46	BV3IG*F-1251BBC
1½"	8.43	4.69	5.86	9.10	2.93	BV3IG*F-1501BBC
2"	9.97	5.53	6.85	12.99	3.42	BV3IG*F-2001BBC



Double Acting

Dimensions are approximate. Engineering dimensions are available upon request. Specifications are subject to change without notice.

Size	A	B	C	D	E	316 Stainless Steel Part #
1/4"	5.35	3.20	2.83	7.10	1.41	BV3IG*F-0251BCC
3/8"	5.35	3.20	2.83	7.10	1.41	BV3IG*F-0381BCC
1/2"	5.55	3.20	3.26	7.10	1.63	BV3IG*F-0501BCC
3/4"	6.30	3.74	3.89	7.45	1.94	BV3IG*F-0751BCC
1"	6.83	3.74	4.40	7.45	2.20	BV3IG*F-1001BCC
1¼"	7.13	3.74	4.92	7.45	2.46	BV3IG*F-1251BCC
1½"	8.43	4.69	5.86	9.10	2.93	BV3IG*F-1501BCC
2"	9.97	5.53	6.85	12.99	3.42	BV3IG*F-2001BCC



A wide variety of switches, solenoids, positioners, etc., are available. Contact Dixon Sanitary at 800.789.1718 or visit bradfordittings.com for details.

Caution !

Even though there are torque safety factors built into our automated ball valve packages, actual service conditions must also be considered when selecting the proper product for the appropriate application.

For example: Severe service conditions such as dirty water, dirty air, all slurries, raw sewage water, oils, and other viscous fluids can have a dramatic affect in raising the torque requirements of ball valves as much as 75% and therefore larger actuators may be required. Please consult Dixon when dealing with these types of applications.