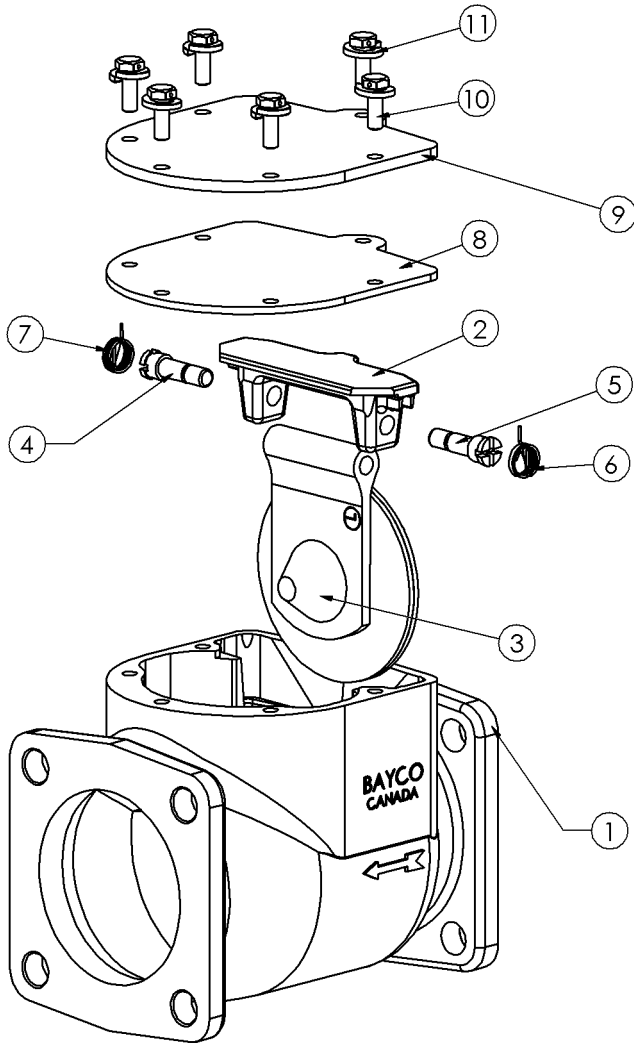


Bayco High Flow 3030 Series 3" Swing Check Valves Round Flange, Square Flange, Threaded and Grooved Ends



Bill of Materials

Item #	Description	Part #	Qty
1	swing check body	---	1
2	flapper valve yoke	341595	1
3A	valve flapper assembly with silicone seal	use kit 3090RK2	1
3B	valve flapper assembly with metal seal	use kit 3091RK1	1
3C	valve flapper assembly with EPDM seal	use kit 3030RK2	1
4	right hand shaft	390798	1
5	left hand shaft	390799	1
6	left hand spring	use kit 3030RK3	1
7	right hand spring	use kit 3030RK3	1
8A	cover gasket silicone	112257	1
8B	cover gasket EPDM	111932	1
9	cover	341611	1
10	bolt	use kit 3030HK	6
11	lock washer	use kit 3030HK	6

Repair Kits

Part #	Description	Includes Item #
3030RK2	complete rebuild kit, EPDM flapper assembly, yoke, springs, shafts, cover gasket, bolts and washers (for 3030RD, 3030SQ, 3030TE, 3030VIC)	2, 3C, 4, 5, 6, 7, 8C, 10, 11
3090RK2	complete rebuild kit, silicone flapper assembly, yoke, springs, shafts, cover gasket, bolts and lock washers (for 3030RD-SSP, 3030SQ-SSP, 3030TE-SSP and 3030VIC-SSP)	2, 3A, 4, 5, 6, 7, 8A, 10, 11
3091RK1	complete rebuild kit, metal seal flapper assembly, yoke, springs, shafts, cover gasket, bolts and lockwashers (for 3031RD, 3031SQ, 3031TE and 3031VIC)	2, 3B, 4, 5, 6, 7, 8A, 10, 11
3030HK	replacement bolts and lockwashers	10, 11
3030RK3	replacement left and right springs	6, 7
3030SK	optional: anti-tamper security kit for swing check lid, 2 security bolts and wire seal	not illustrated



Product instruction sheets and technical data can be viewed on our website at dixongroupcanada.com by selecting the 'Resources' menu.