

ASME Air Receiver Manifolds

Features

- 7-gallon capacity
- Painted safety orange
- All openings are female NPT thread
- Special configurations available

Specifications

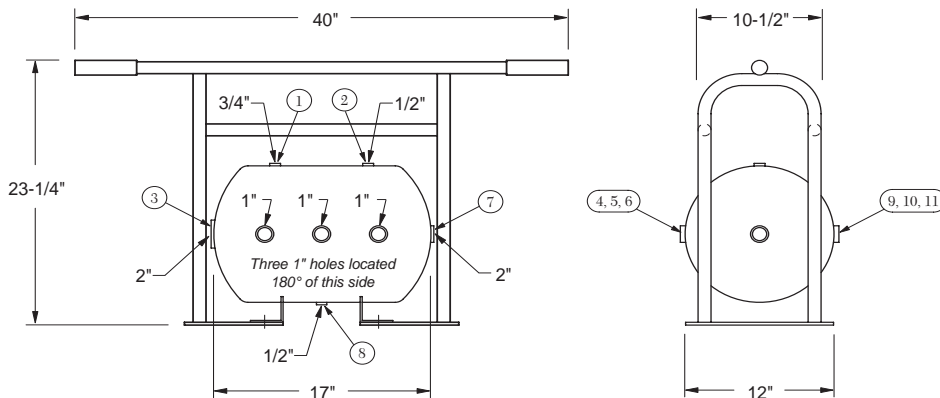
- Working pressure: **200 PSI**
- Built to ASME Code, National Board registered
- Conforms to OSHA standards 1910.169 and 1926.306



1217AR-4AK



1217AR-4FR



Dixon® 1217AR-4AK air receiver manifold assembly with Air King® outlet ports includes the following components:

Part # / Locations	Qty	Description
1217AR-4	1	ASME compressed air receiver
1217FRAME	1	protective frame
Location 1	1	3731204C 3/4" male x 1/4" female hex bushing
	1	GL345 0-300 PSI gauge
Location 2	1	3730804C 1/2" male x 1/4" female hex bushing
Location 3	1	SV200 safety pop-off valve
	1	GM28 2" male spud
Locations 4, 5, 6, 9, 10, 11	1	B27SC wing nut cap
	6	HB1075G 1" male x 3/4" female bushings
	6	3701212C 3/4" brass hex nipples
	6	BBLV75 ball valves
	6	SCVS6 safety shut-off valves
Location 7	6	AM7 Air King universal couplings
	4	SE45100 45° street elbow (1 each in locations 4, 6, 9 and 11 only)
	1	HB2075 2" male x 3/4" female bushing
	1	3701212C 3/4" brass hex nipples
	1	BBLV75 ball valve
Location 8	1	SCVS6 safety shut-off valve
	1	AM7 Air King universal coupling
	1	3730804C 1/2" male x 1/4" female hex bushing
	1	D04 1/4" drain cock
1217AR-4AK	1	7-gallon ASME compressed air receiver manifold complete assembly with Air King
		Tank and Frame only
1217AR-4FR	1	7-gallon ASME compressed air receiver with frame only