

Wilkerson FRLs

C18-Series Compact Combination Units

Features

- Included components:
 - (2) end blocks
 - (2) mounting brackets with joiner set and port O-ring

Filter series F18:

- 5 micron element
- 1.72 oz. bowl

Regulator series R18:

- **0-125 PSI** adjusting range
- Self-relieving
- Supplied with a GC230 gauge

Lubricator series L18:

- 4 oz. bowl
- Adjustable oil feed
- Full view sight dome

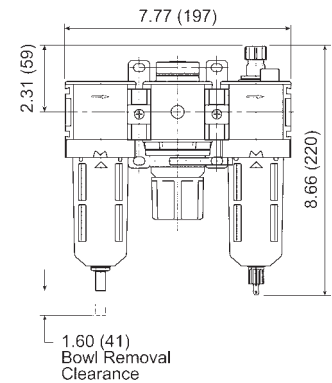
Specifications

- Maximum operating conditions:
 - transparent bowl: 150 PSIG (10.3 bar) and **-13°F to 125°F (-25°C to 52°C)**
 - metal bowl: 250 PSIG (17.2 bar) and **-13°F to 150°F (-25°C to 66°C)**

| Size | Flow (SCFM) | Transparent Bowl and Guard | | Metal Bowl with Sight Glass | |
|------|-------------|----------------------------|---------------------|-----------------------------|---------------------|
| | | Automatic Drain Part # | Manual Drain Part # | Automatic Drain Part # | Manual Drain Part # |
| 1/4" | 42 | C18-02A | C18-02M | C18-02AMB | C18-02MMB |
| 3/8" | 68 | C18-03A | C18-03M | C18-03AMB | C18-03MMB |
| 1/2" | 85 | C18-04A | C18-04M | C18-04AMB | C18-04MMB |



with metal bowl



C26-Series Standard Combination Units

Features

- Included components:
 - (2) modular sleeves
 - (2) mounting brackets (sleeve and bracket)
 - (2) end blocks

Filter series F26:

- 5 micron element
- 3.2 oz. bowl

Regulator series R26:

- **0-125 PSI** adjusting range
- Self-relieving
- Supplied with a GC230 gauge

Lubricator series L26:

- 10 oz. bowl
- Adjustable oil feed
- Full view sight dome

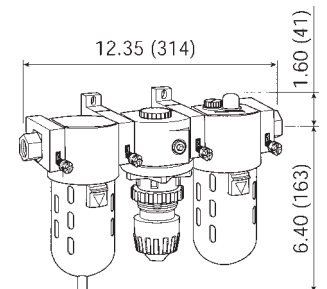
Specifications

- Maximum operating conditions:
 - transparent bowl: 150 PSIG (10.3 bar) and **32°F to 125°F (0°C to 52°C)**
 - metal bowl: 200 PSIG (13.8 bar) and **32°F to 175°F (0°C to 80°C)**

| Size | Flow (SCFM) | Transparent Bowl and Guard | | Metal Bowl | |
|------|-------------|----------------------------|---------------------|------------------------|---------------------|
| | | Automatic Drain Part # | Manual Drain Part # | Automatic Drain Part # | Manual Drain Part # |
| 3/8" | 60 | C26-03A | C26-03M | C26-03AMB | C26-03MMB |
| 1/2" | 128 | C26-04A | C26-04M | C26-04AMB | C26-04MMB |



with metal bowl



NOTE: SCFM ratings at 150 PSIG inlet pressure.

FRLs are designed for air service only, unless otherwise indicated.

