

## Wilkerson FRLs

### C28-Series Standard Combination Units

#### Features

- Modern design and appearance
- Quick disconnect bowl / bowl guard
- Included components:
  - (2) end blocks
  - (2) mounting brackets with joiner set and port O-ring

#### Filter series F28:

- 5 micron element
- 2.87 oz. bowl

#### Regulator series R28:

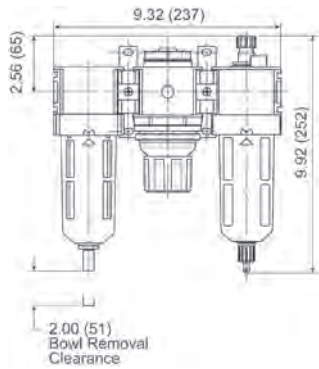
- **0-125 PSI** adjusting range
- Self-relieving
- Supplied with a GC230 gauge

#### Lubricator series L28:

- 6 oz. bowl
- Adjustable oil feed
- Full view sight dome



with metal bowl



#### Specifications

- Maximum operating conditions:
  - transparent bowl: 150 PSIG (10.3 bar) and **-13°F to 125°F (-25°C to 52°C)**
  - metal bowl: 250 PSIG (17.2 bar) and **-13°F to 150°F (-25°C to 66°C)**

Size	Flow (SCFM)	Transparent Bowl and Guard		Metal Bowl	
		Automatic Drain Part #	Manual Drain Part #	Automatic Drain Part #	Manual Drain Part #
3/8"	90	C28-03A	C28-03M	C28-03AMB	C28-03MMB
1/2"	90	C28-04A	C28-04M	C28-04AMB	C28-04MMB
3/4"	110	C28-06A	C28-06M	C28-06AMB	C28-06MMB

NOTE: SCFM ratings given at 150 PSIG inlet pressure.

### C31-Series Jumbo Combination Units

#### Features

- High flow capacity
- Large bowl reservoir
- Included components:
  - (2) brass hex nipples

#### Filter series F30:

- 5 micron element
- 2 oz. bowl

#### Regulator series R30:

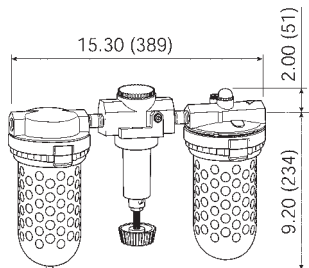
- **0-125 PSI** adjusting range
- Self-relieving
- Supplied with a GC230 gauge

#### Lubricator series L30:

- 26 oz. bowl
- Adjustable oil feed
- Full view sight dome



with metal bowl



#### Specifications

- Maximum operating conditions:
  - transparent bowl: 150 PSIG (10.3 bar) and **32°F to 125°F (0°C to 52°C)**
  - metal bowl: 200 PSIG (13.8 bar) and **32°F to 175°F (0°C to 80°C)**

Size	Flow (SCFM)	Transparent Bowl and Guard		Metal Bowl with Sight Glass	
		Automatic Drain Part #	Manual Drain Part #	Automatic Drain Part #	Manual Drain Part #
3/4"	374	C31-06A	C31-06M	C31-06AMB	C31-06MMB
1"	374	C31-08A	C31-08M	C31-08AMB	C31-08MMB

NOTE: SCFM ratings at 120 PSIG inlet pressure.

FRLs are designed for air service only, unless otherwise indicated.



F