

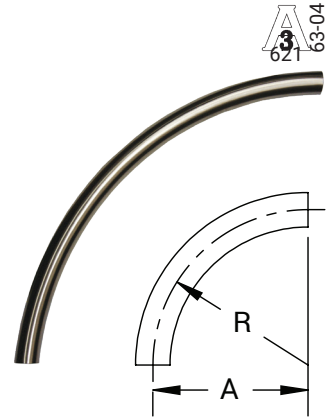
### Weld Sweep Elbows

**Feature**

- Standard with no tangents. Call Dixon® 877.963.4966 for tangents, 45°, and other radii

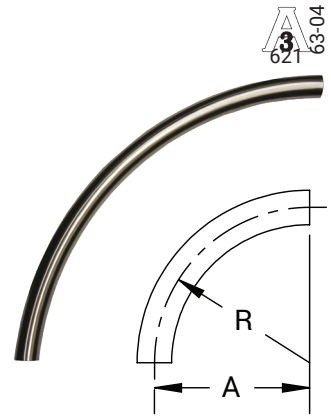
#### 12" 90° Weld Sweep Elbows - B2SXL

Tube O.D.	A (in)	R (in)	316L Stainless Steel Part #
1"	12.00	12.00	B2SXL12-R100
1-1/2"	12.00	12.00	B2SXL12-R150
2"	12.00	12.00	B2SXL12-R200
2-1/2"	12.00	12.00	B2SXL12-R250
3"	12.00	12.00	B2SXL12-R300
4"	12.00	12.00	B2SXL12-R400



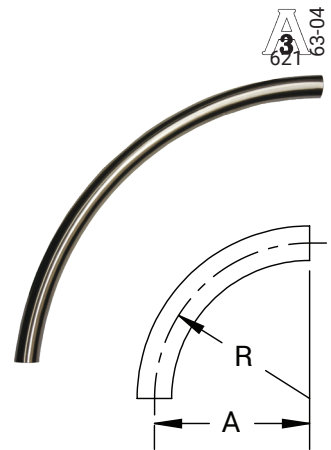
#### 18" 90° Weld Sweep Elbows - B2SXL

Tube O.D.	A (in)	R (in)	316L Stainless Steel Part #
1"	18.00	18.00	B2SXL18-R100
1-1/2"	18.00	18.00	B2SXL18-R150
2"	18.00	18.00	B2SXL18-R200
2-1/2"	18.00	18.00	B2SXL18-R250
3"	18.00	18.00	B2SXL18-R300
4"	18.00	18.00	B2SXL18-R400



#### 24" 90° Weld Sweep Elbows - B2SXL

Tube O.D.	A (in)	R (in)	316L Stainless Steel Part #
1-1/2"	24.00	24.00	B2SXL24-R150
2"	24.00	24.00	B2SXL24-R200
2-1/2"	24.00	24.00	B2SXL24-R250
3"	24.00	24.00	B2SXL24-R300
4"	24.00	24.00	B2SXL24-R400
6"	24.00	24.00	B2SXL24-R600



#### 36" 90° Weld Sweep Elbows - B2SXL

Tube O.D.	A (in)	R (in)	316L Stainless Steel Part #
1-1/2"	36.00	36.00	B2SXL36-R150
2"	36.00	36.00	B2SXL36-R200
2-1/2"	36.00	36.00	B2SXL36-R250
3"	36.00	36.00	B2SXL36-R300
4"	36.00	36.00	B2SXL36-R400
6"	36.00	36.00	B2SXL36-R600

