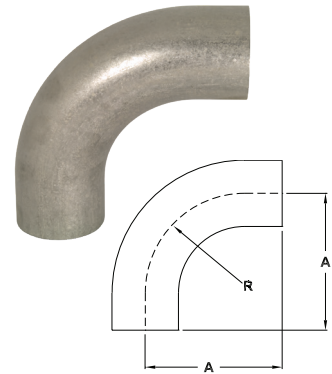


Unpolished Elbows

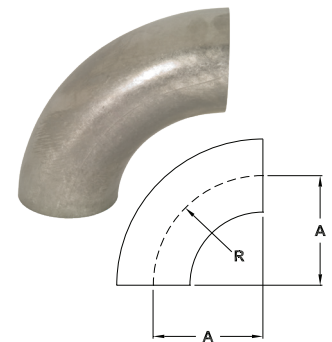
Unpolished 90° Weld Elbows with Tangents - B2S

Tube O.D.	A (in)	R (in)	Nominal Wall (in)	304 Stainless Steel Part #	316L Stainless Steel Part #
1/2"	3.000	1.125	.065	---	B2S-R50U
3/4"	3.000	1.125	.065	---	B2S-R75U
1"	2.062	1.500	.065	B2S-G100U	B2S-R100U
1-1/2"	2.937	2.250	.065	B2S-G150U	B2S-R150U
2"	4.062	3.000	.065	B2S-G200U	B2S-R200U
2-1/2"	5.187	3.750	.065	B2S-G250U	B2S-R250U
3"	6.312	4.500	.065	B2S-G300U	B2S-R300U
4"	8.312	6.000	.083	B2S-G400U	B2S-R400U



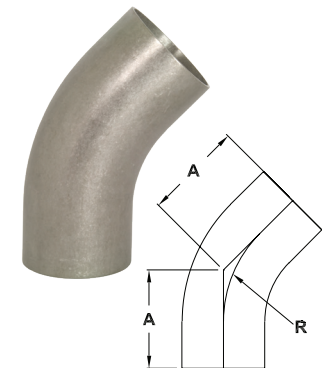
Unpolished 90° Weld Elbows - B2WCL

Tube O.D.	A (in)	R (in)	Nominal Wall (in)	304 Stainless Steel Part #	316L Stainless Steel Part #
1/2"	1.13	1.13	.065	---	B2WCL-R50U
3/4"	1.13	1.13	.065	---	B2WCL-R75U
1"	1.50	1.50	.065	B2WCL-G100U	B2WCL-R100U
1-1/2"	2.25	2.25	.065	B2WCL-G150U	B2WCL-R150U
2"	3.00	3.00	.065	B2WCL-G200U	B2WCL-R200U
2-1/2"	3.75	3.75	.065	B2WCL-G250U	B2WCL-R250U
3"	4.50	4.50	.065	B2WCL-G300U	B2WCL-R300U
4"	6.00	6.00	.083	B2WCL-G400U	B2WCL-R400U
6"	9.00	9.00	.109	B2WCL-G600U	B2WCL-R600U
8"	12.00	12.00	.109	B2WCL-G800U	B2WCL-R800U
10"	15.00	15.00	.120	B2WCL-G1000U	B2WCL-R1000U
12"	18.00	18.00	.120	B2WCL-G1200U	B2WCL-R1200U



Unpolished 45° Weld Elbows with Tangents - B2KS

Tube O.D.	A (in)	R (in)	Nominal Wall (in)	304 Stainless Steel Part #	316L Stainless Steel Part #
1/2"	2.25	1.13	.065	---	B2KS-R50U
3/4"	2.25	1.13	.065	---	B2KS-R75U
1"	1.19	1.50	.065	B2KS-G100U	B2KS-R100U
1-1/2"	1.63	2.25	.065	B2KS-G150U	B2KS-R150U
2"	2.31	3.00	.065	B2KS-G200U	B2KS-R200U
2-1/2"	3.00	3.75	.065	B2KS-G250U	B2KS-R250U
3"	3.69	4.50	.065	B2KS-G300U	B2KS-R300U
4"	4.81	6.00	.083	B2KS-G400U	B2KS-R400U



M

Unpolished 45° Weld Elbows - B2WK

Tube O.D.	A (in)	R (in)	Nominal Wall (in)	304 Stainless Steel Part #	316L Stainless Steel Part #
1/2"	.47	1.13	.065	---	B2WK-R50U
3/4"	.47	1.13	.065	---	B2WK-R75U
1"	.63	1.50	.065	B2WK-G100U	B2WK-R100U
1-1/2"	.94	2.25	.065	B2WK-G150U	B2WK-R150U
2"	1.25	3.00	.065	B2WK-G200U	B2WK-R200U
2-1/2"	1.56	3.75	.065	B2WK-G250U	B2WK-R250U
3"	1.88	4.50	.065	B2WK-G300U	B2WK-R300U
4"	2.50	6.00	.083	B2WK-G400U	B2WK-R400U
6"	3.75	9.00	.109	B2WK-G600U	B2WK-R600U
8"	5.00	12.00	.109	B2WK-G800U	B2WK-R800U
10"	6.25	15.00	.120	B2WK-G1000U	B2WK-R1000U
12"	7.50	18.00	.120	B2WK-G1200U	B2WK-R1200U

