

## Air & Vacuum Relief Tank Vent Valves

### Applications

- When product filling or emptying a tank, this valve is used to relieve pressure or vacuum

### Features

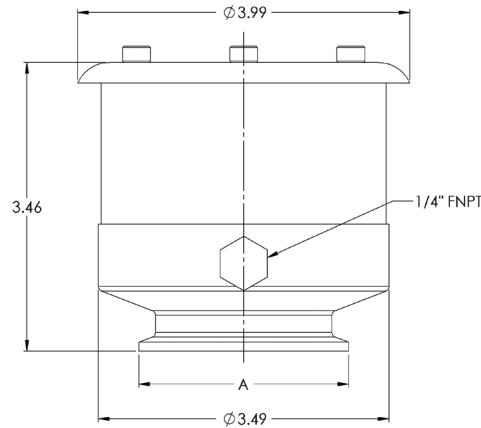
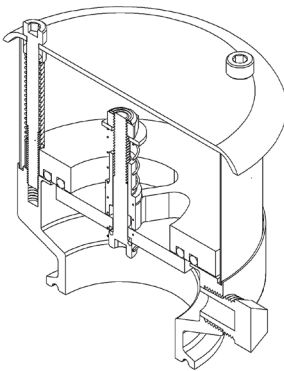
- Triple action:
  - valve relieves pressure as the fluid level rises while filling a tank
  - valve relieves vacuum as the fluid level drops while emptying a tank
  - seals under equal pressure
- Stainless steel screen surrounds the entire vacuum and pressure flow area
- Other sanitary connections optional
- 1/4" FNPT connection for gas inlet; plug also supplied
- Repair kits available

### Materials

- 304 stainless steel
- EPDM elastomer

### Specifications

- Vacuum break: 2" water column, **0.1 PSI**
- Pressure relief: 22" water column, **0.8 PSI**
- Maximum temperature and pressure rating: **3 PSI @ 70°F (21°C)**
- Maximum flow rate: **500 GPM**



| Tube O.D. | Dimension A (in) | 304 Stainless Steel Part # |
|-----------|------------------|----------------------------|
| 2"        | 2.52             | TVSEC-G200                 |
| 3"        | 3.58             | TVSEC-G300                 |
| 4"        | 4.68             | TVSEC-G400                 |



NOTE: Due to the impossible determination of whether a tank was damaged due to the tank vent or the lack of opening the upper manhole during product transfer, Dixon® Sanitary assumes no liability for tank damage or product loss.

NOTE: All dimensions are approximate. Engineering dimensions are available upon request.  
 NOTE: Specifications are subject to change without notice.