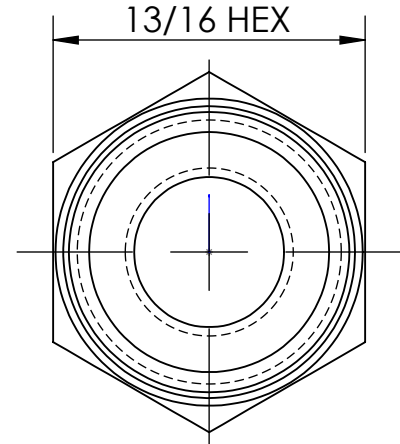
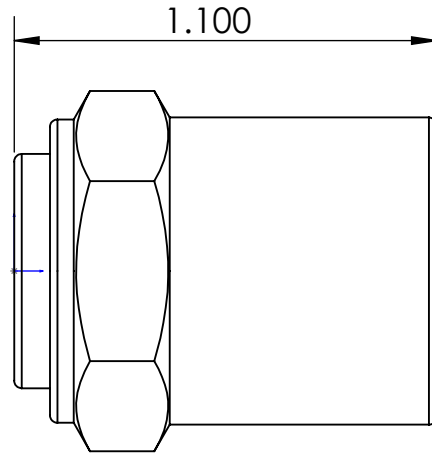
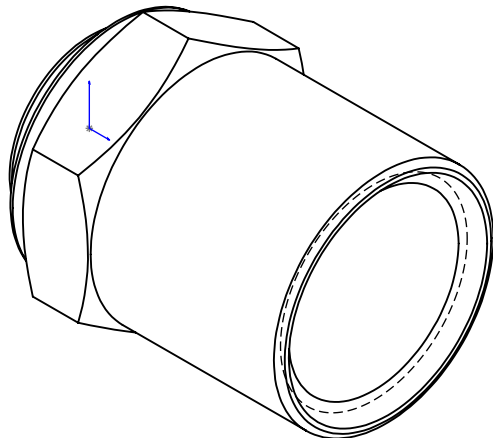
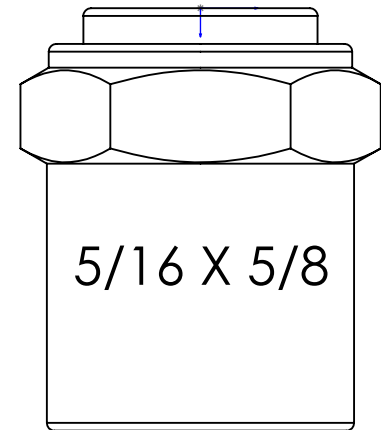
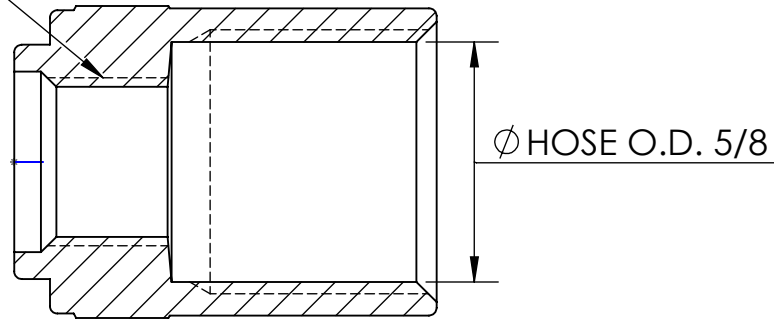



LINE DRAWING NOT FOR PRODUCTION PURPOSES



7/16 - 20 UNF2B
HOSE I.D. 5/16



THIS DRAWING CONTAINS INFORMATION DEEMED PROPRIETARY TO DIXON BRASS AND IS SO TO BE USED ONLY FOR THE PURPOSE FOR WHICH IT IS SUBMITTED, AND FURTHER, SHALL NOT BE COPIED IN WHOLE OR IN PART WITHOUT EXPRESS WRITTEN PERMISSION FIRST OBTAINED FROM DIXON BRASS.			
UNLESS OTHERWISE SPECIFIED:		 Dixon Brass Westmont, Illinois USA	DRAWN P. MONAGHAN DATE 4/17/15
DIMENSIONS ARE IN INCHES TOLERANCES: ANGLES: $\pm 0^{\circ}30'$.X ($\pm .015$) .XX ($\pm .010$) .XXX ($\pm .005$) DIMENSIONS PER ANSI Y14.5			APPROVED ECO NO.
TITLE:		DRAWING NOT REPRODUCED TO SCALE	
REUSABLE FERRULE		SIZE A	DWG. NO. 1800510F REV B