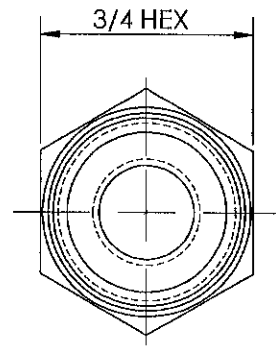
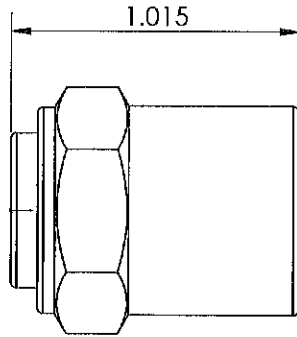
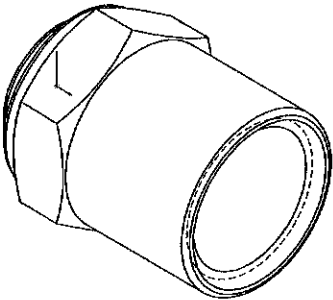
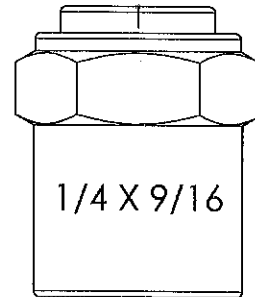
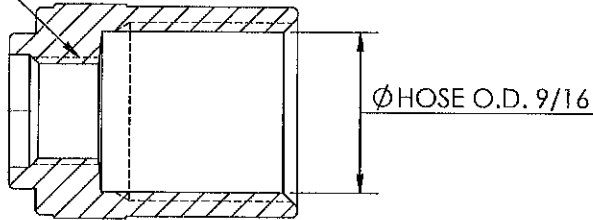


LINE DRAWING NOT FOR PRODUCTION PURPOSES

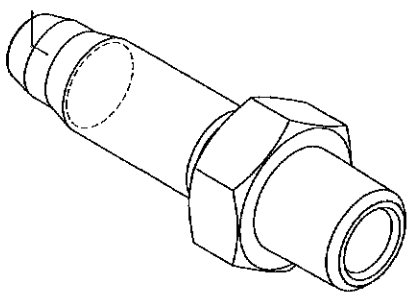
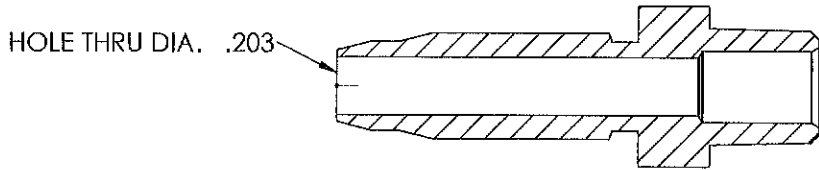
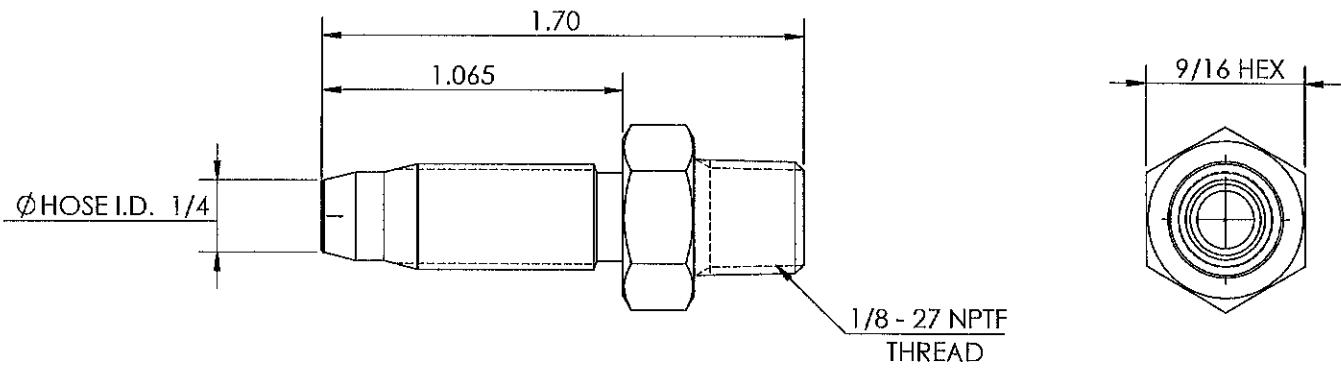



3/8 - 24 UNF-2B
HOSE I.D. 1/4



THIS DRAWING CONTAINS INFORMATION DEEMED PROPRIETARY TO DIXON BRASS AND IS TO BE USED ONLY FOR THE PURPOSE FOR WHICH IT IS SUBMITTED, AND FURTHER, SHALL NOT BE COPIED IN WHOLE OR IN PART WITHOUT EXPRESS WRITTEN PERMISSION FIRST OBTAINED FROM DIXON BRASS.				
UNLESS OTHERWISE SPECIFIED:				
DIMENSIONS ARE IN INCHES		Dixon Brass Westmont, Illinois USA	DRAWN P. MONAGHAN	DATE 4/16/14
TOLERANCES: ANGLES: ±0° 30' .X (±.015) .XX (±.010) .XXX (±.005)			APPROVED	DATE
DIMENSIONS PER ANSI Y14.6	TITLE: REUSABLE FERRULE	DRAWING NOT REPRODUCED TO SCALE		
	SIZE A	DWG. NO. 1800409F	REV B	

LINE DRAWING NOT FOR PRODUCTION PURPOSES



THIS DRAWING CONTAINS INFORMATION DEEMED PROPRIETARY TO DIXON BRASS AND IS TO BE USED ONLY FOR THE PURPOSE FOR WHICH IT IS SUBMITTED, AND FURTHER, SHALL NOT BE COPIED IN WHOLE OR IN PART WITHOUT EXPRESS WRITTEN PERMISSION FIRST OBTAINED FROM DIXON BRASS.				
UNLESS OTHERWISE SPECIFIED:		 Dixon Brass Westmont, Illinois USA	DRAWN	DATE
DIMENSIONS ARE IN INCHES			P. MONAGHAN	4/27/15
TOLERANCES:		APPROVED	DATE	
ANGLES: ±0°30'		ECO NO.		
.X (±.015)		DRAWING NOT REPRODUCED TO SCALE		
.XX (±.010)		TITLE: REUSABLE MALE STEM		
.XXX (±.005)		SIZE	REV	
DIMENSIONS PER ANSI Y14.5		A	E	
		DWG. NO.		
		1820402S		