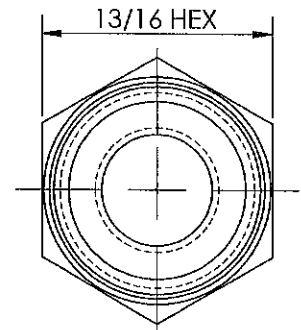
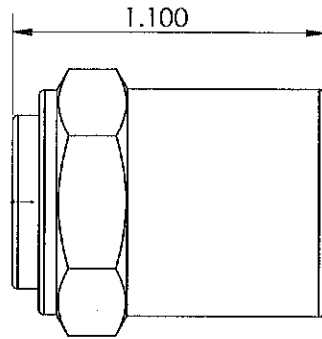
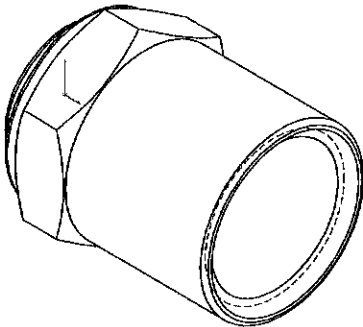
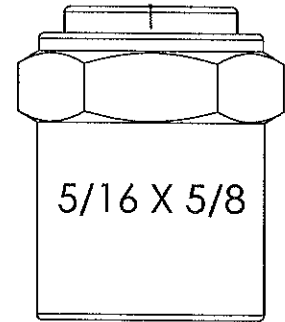
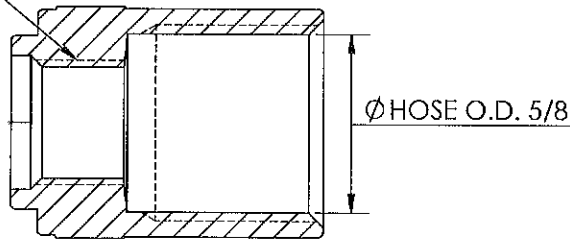



LINE DRAWING NOT FOR PRODUCTION PURPOSES

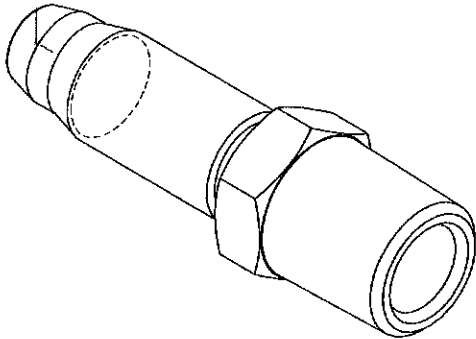
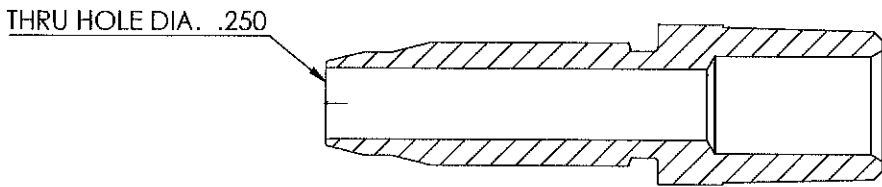
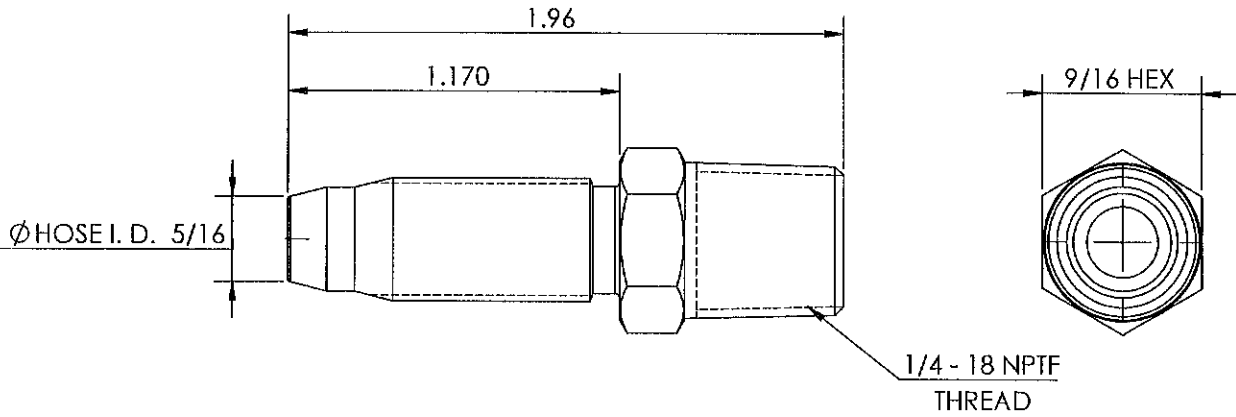



7/16 - 20 UNF2B
HOSE I.D. 5/16



THIS DRAWING CONTAINS INFORMATION DEEMED PROPRIETARY TO DIXON BRASS AND IS SO TO BE USED ONLY FOR THE PURPOSE FOR WHICH IT IS SUBMITTED, AND FURTHER, SHALL NOT BE COPIED IN WHOLE OR IN PART WITHOUT EXPRESS WRITTEN PERMISSION FIRST OBTAINED FROM DIXON BRASS.			
UNLESS OTHERWISE SPECIFIED:		DRAWN	
DIMENSIONS ARE IN INCHES		P. MONAGHAN	
TOLERANCES:		APPROVED	
ANGLES: $\pm 0^{\circ}30'$		DATE	
.X (± 0.015)		ECO NO.	
.XX (± 0.010)		DRAWING NOT REPRODUCED TO SCALE	
.XXX (± 0.005)		DWG. NO.	
DIMENSIONS PER ANSI Y14.5		REV	
 Dixon Brass Westmont, Illinois USA		1800510F	
TITLE: REUSABLE FERRULE		B	
SIZE A			

LINE DRAWING NOT FOR PRODUCTION PURPOSES



THIS DRAWING CONTAINS INFORMATION DEEMED PROPRIETARY TO DIXON BRASS AND IS SO TO BE USED ONLY FOR THE PURPOSE FOR WHICH IT IS SUBMITTED, AND FURTHER, SHALL NOT BE COPIED IN WHOLE OR IN PART WITHOUT EXPRESS WRITTEN PERMISSION FIRST OBTAINED FROM DIXON BRASS.				
UNLESS OTHERWISE SPECIFIED:		 Dixon Brass Westmont, Illinois USA	DRAWN	DATE
DIMENSIONS ARE IN INCHES			P. MONAGHAN	4/27/15
TOLERANCES: ANGLES: $\pm 0^{\circ} 30'$.X ($\pm .015$) .XX ($\pm .010$) .XXX ($\pm .005$)		APPROVED	DATE	
DIMENSIONS PER ANSI Y14.5		ECO NO.		
TITLE:		DRAWING NOT REPRODUCED TO SCALE		
REUSABLE MALE STEM		SIZE	REV	
		A	B	
		DWG. NO.		
		1820504S		