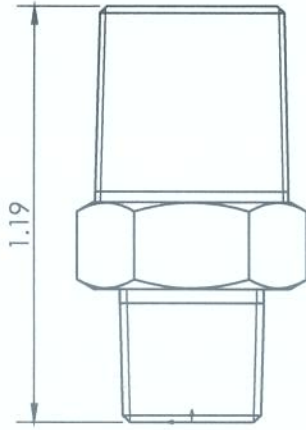
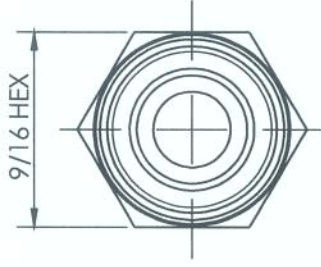
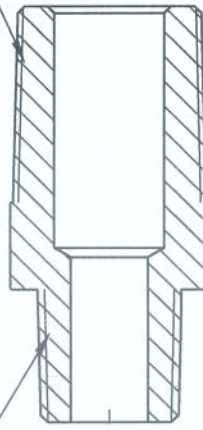


LINE DRAWING NOT FOR PRODUCTION PURPOSES



1/8 - 27 NPTF



MATERIAL 9/16 HEX ALLOY 353 BRASS

This drawing is owned by Dixon Valves, Coupling Co. and shall be returned upon demand. It is loaned on condition that it shall not be copied or reproduced or submitted to others without the owner's consent. In accepting it, subject to this condition, the recipient further agrees that this drawing or any design detail or other information contained herein is the property of Dixon Valves, Coupling Co. and shall be returned if the recipient does not agree to the terms of this agreement they shall return this drawing immediately. The information contained in this drawing is subject to change without notice.



**Dixon Brass**  
Westmont, Illinois USA

DRAWN HENRY B. DATE 8/22/17  
APPROVED DATE

ECO NO.

DO NOT SCALE THIS DRAWING  
TITLE: 1/8 X 1/4 MALE HEX REDUCER NIPPLE  
SIZE DWG. NO. A 3790402C  
REV A