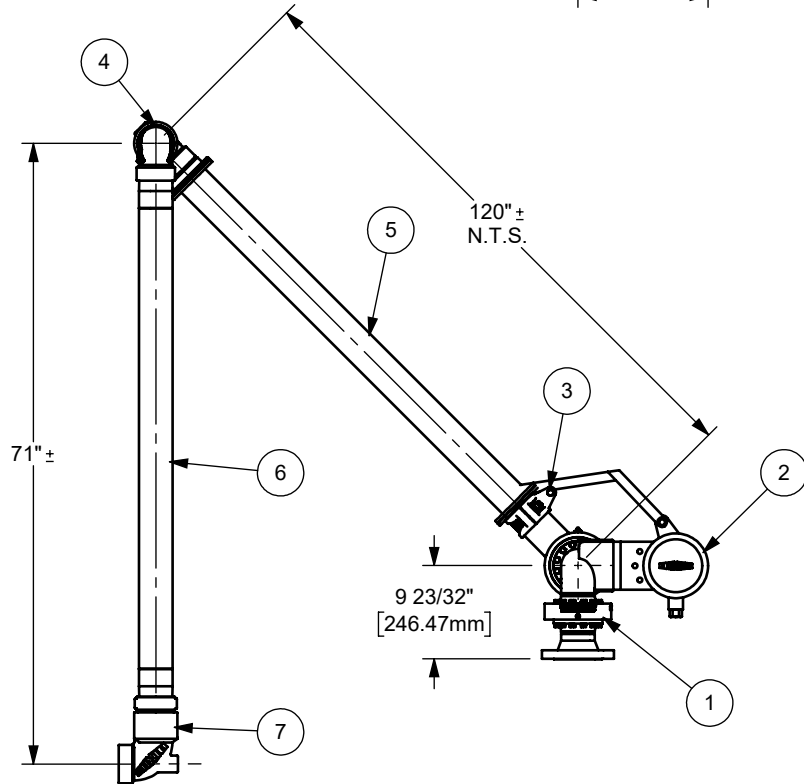
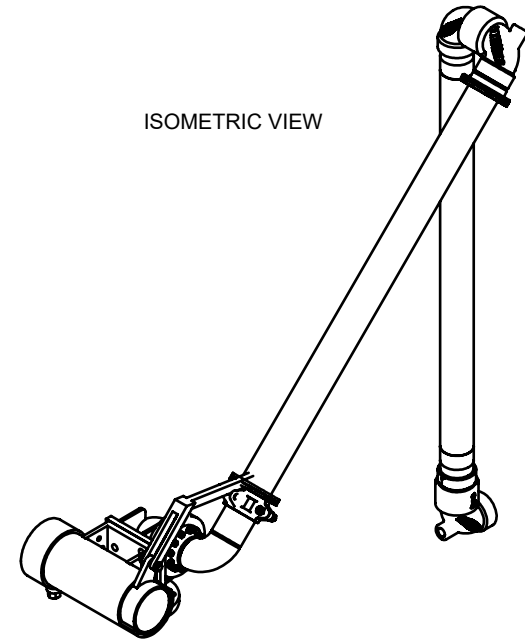


ISOMETRIC VIEW



7	330FXFAL	3IN STYLE 30 SWIVEL WITH FEMALE NPT ENDS	ALUMINUM	1
6	LEG B: 60" LONG METAL HOSE WITH MALE NPT	SUPPLIED BY OTHERS	MISC.	1
5	LEG A: 3LAL-TFXTF-108	3IN SCHEDULE 40 PIPE WITH TTMA FLANGES	ALUMINUM	1
4	340TFXFAL	3IN STYLE 40 SWIVEL WITH TTMA FLANGE X FEMALE NPT	ALUMINUM	1
3	ESB-CLAMP-3	3IN PIPE CLAMP	IRON	1
2	ESB1-C	HIGH Spring Counterbalance	MISC.	1
1	SF350FGXTFCS	3INCH SPLITFLANGE STYLE 50 SWIVEL WITH 150 lbs. X TTMA WITH CB	CARBON STEEL	1
ITEM NO.	PART NUMBER	DESCRIPTION	MATERIAL	QTY.



The Right Connection™

dixonvalve.com

PROPRIETARY AND CONFIDENTIAL

This drawing is owned by Dixon Valve & Coupling Co. and shall be returned upon demand. It is loaned on condition that it shall not be copied or reproduced or submitted to others without the owners consent. In accepting it subject to this condition the recipient further agrees that this drawing or any design detail or concept disclosed herein shall not be used in any way detrimental to or in competition with the owner. If the recipient does not agree to the terms of this agreement they shall return this drawing immediately. The information contained in this drawing is subject to change without notice.

DO NOT SCALE THIS DRAWING

DIXON U.S.A.

THE RIGHT CONNECTION™

TITLE: 3" RIGHT HAND A-FRAME LOADING ARM

MATERIAL: SEE B.O.M.

PART NUMBER: **C30536A30000117**