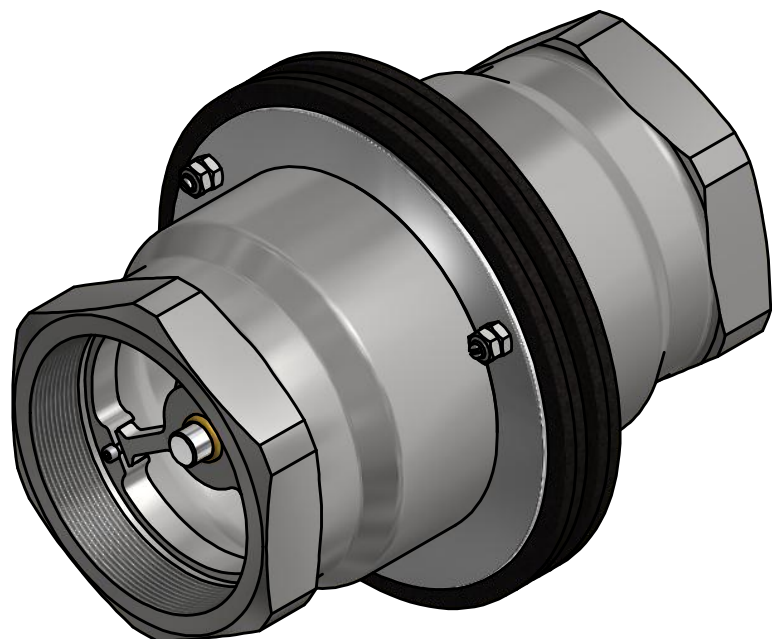
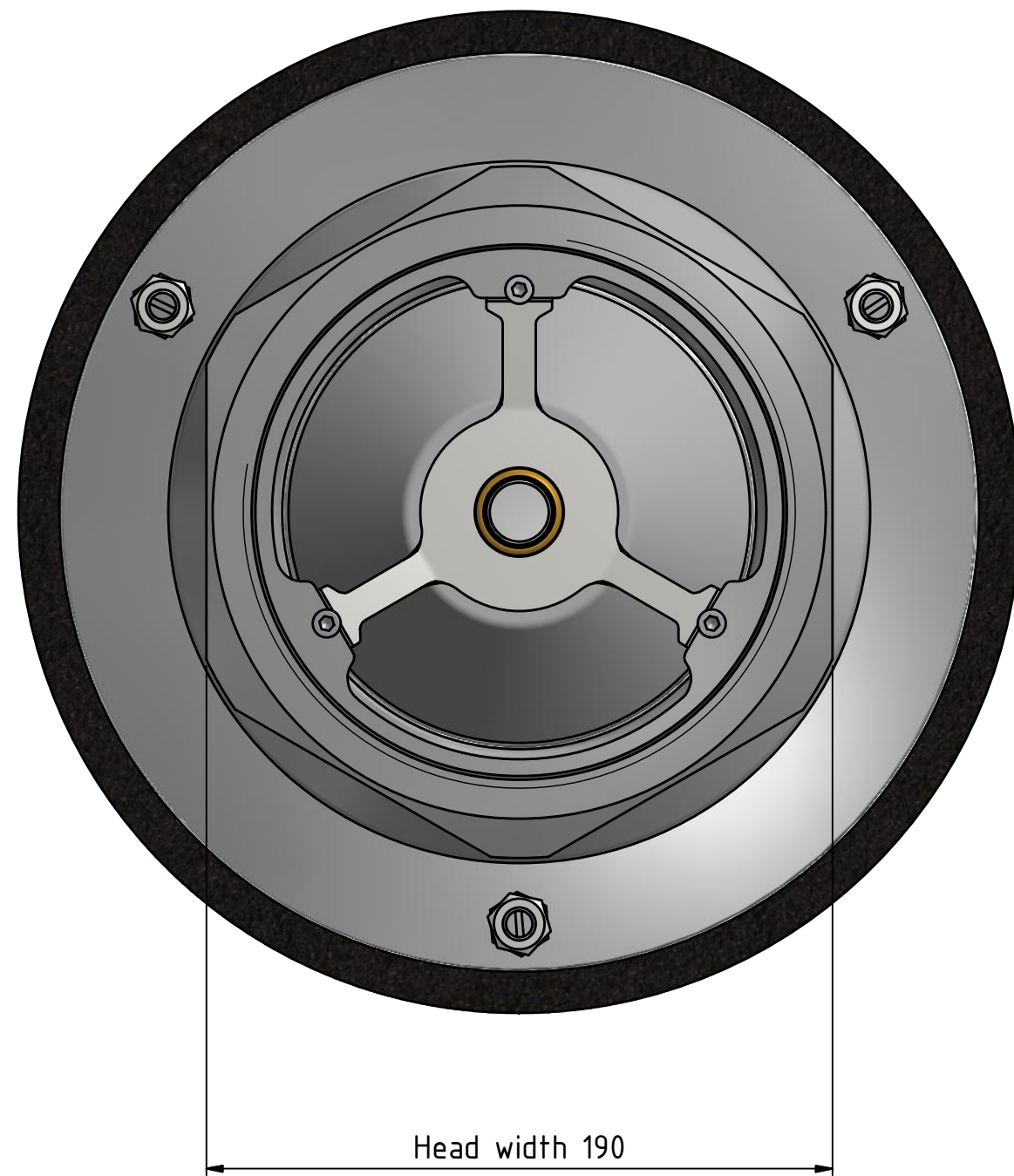
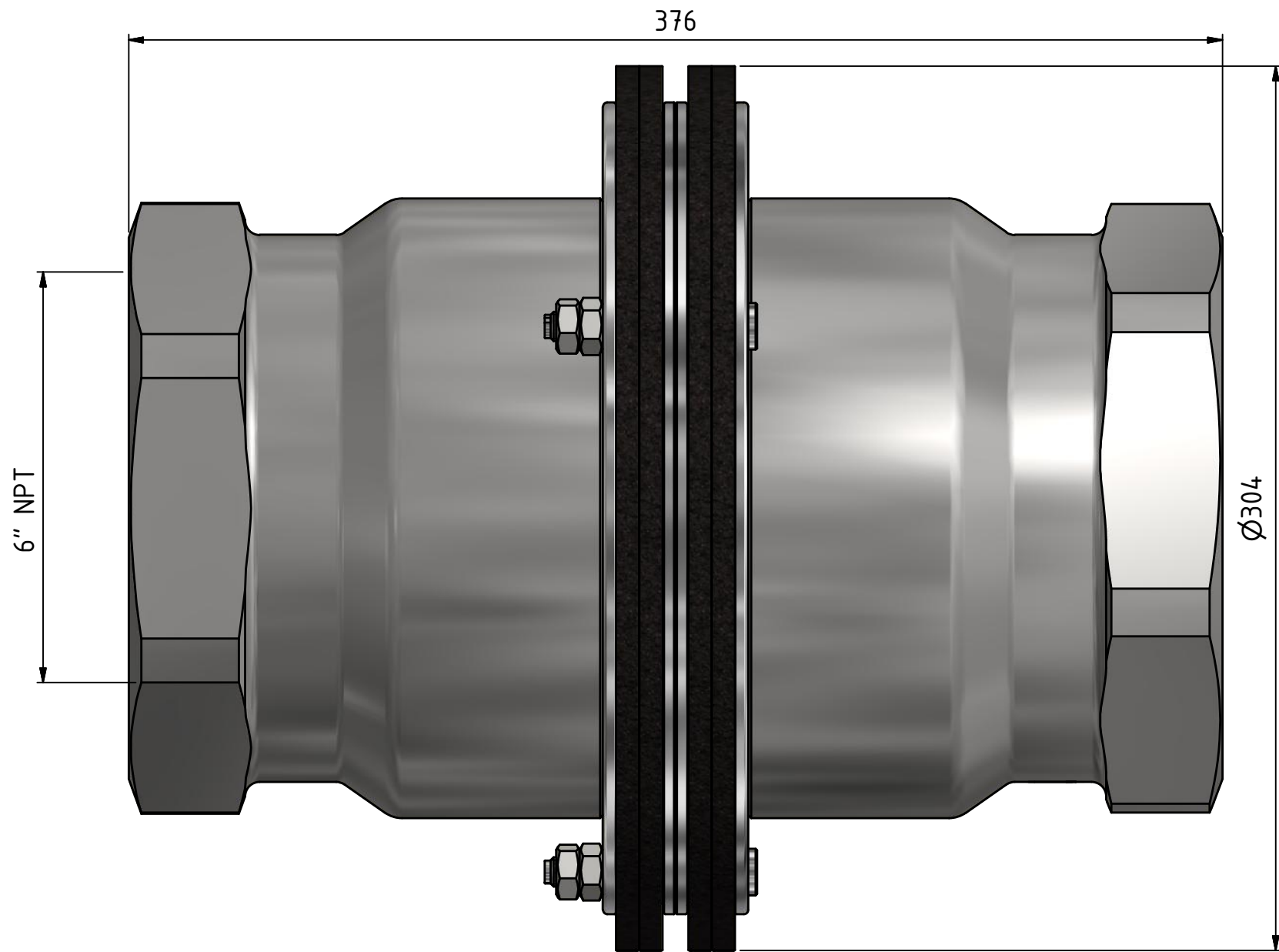


Notice: This drawing contains proprietary information and shall not be used or reproduced or its contents disclosed in whole or in part, without the prior written consent of the Mann Teknik AB



~40 kg

Detail No:	Material	Ämne/Blank	Ytbeh./Treatment	Vikt/Weight
		Designed/drawn by	Scale:	Dimension with no tolerances acc to Machined SS-ISO 2768-1 medium Weld Forge SS-ISO 2768-1 coarse Surface roughness ISO 1302 Form & position tol SS-ISO 2768-2-K
		Checked	Date	
		Approved	2016-09-16	
6" Industrial Break Away CBC 6" NPT				Data nr./Comp No. NC6M_smst_pur Blad/Sheet 1 / 1 Drawing No. NC6111D44-1 Rev.

NO.	Revision comprises	Date	Sign.	Appr by
-----	--------------------	------	-------	---------