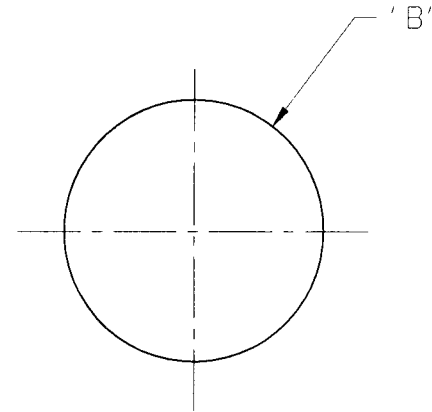
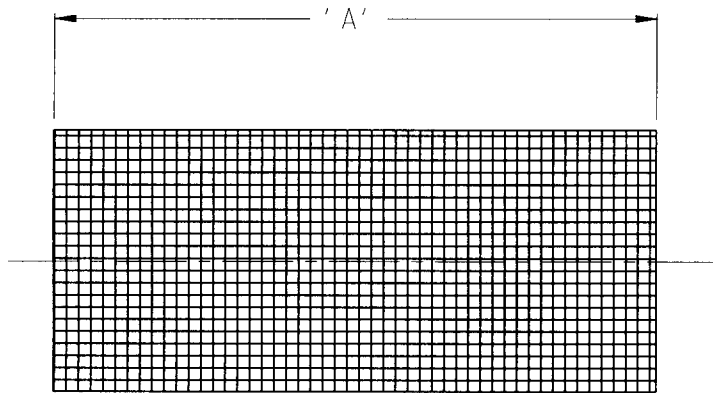


P1XXX00

CUSTOMER DWG



CUSTOMER DWG

PART #	DIM 'A'	DIM 'B'
P191700	3 3/4 REF	1 59/64 DIA
P183000	1 7/16 REF	5/8 DIA
P189400	3 7/32 REF	1 9/16 DIA
P187600	2 25/32 REF	1 7/16 DIA

DIXON VALVE & COUPLING CO.  
U. S. A.

TITLE  
REPLACEMENT SCREEN FOR  
CAST IRON 'Y' LINE STRAINER

DRAWN BY: 05/13/03 <i>Kristy</i>	CHECKED BY:	APPROVAL: <i>JJB</i> 2/18/00
--	-------------	------------------------------------

MAT'L STAINLESS STEEL	P1XXX00
--------------------------	---------

AGREEMENT TO MAINTAIN CONFIDENTIALITY

This drawing is owned by Dixon Valve & Coupling Co. and shall be returned upon demand. It is loaned on condition that it shall not be copied or reproduced or submitted to others without the owners consent. In accepting it subject to this condition the recipient further agrees that this drawing or any design detail or concept disclosed herein shall not be used in any way detrimental to or in competition with the Owner. If the recipient does not agree to the terms of this agreement, they shall return this drawing immediately.

