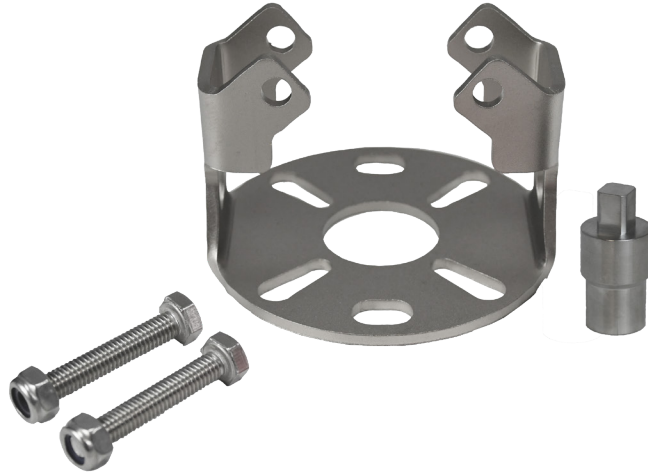


Actuation Kits for B5107 Butterfly Valves

The following actuation kits are available for use on Dixon B5107-series sanitary butterfly valves. These kits include all that is necessary to mount the RP-BA-series rack and pinion, BEO-series electric, or VC1-series stainless canister actuator.

RP-BA-Series Actuation Kits for B5107 Butterfly Valves



Spring Return Actuator		
Valve Size	Actuator Part #	Kit Part #
1/2" to 1-1/2"	RP-BA-025-SR05	B5107-RPMK-5015
2" to 2-1/2"	RP-BA-025-SR05	B5107-RPMK-2025
3"	RP-BA-045-SR	B5107-RPMK-3040
4"	RP-BA-101-SR	

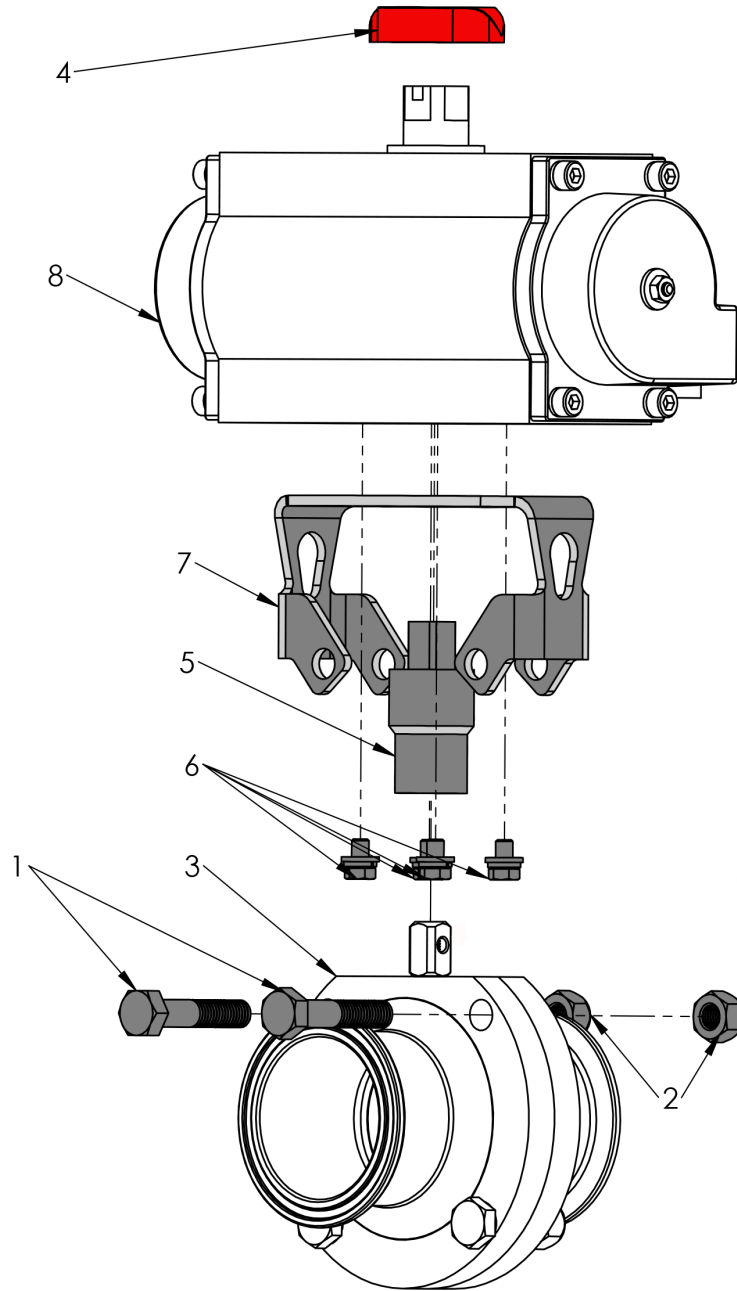
Double Acting Actuator		
Valve Size	Actuator Part #	Kit Part #
1/2" to 1-1/2"	RP-BA-025-DA05	B5107-RPMK-5015
2" to 2-1/2"	RP-BA-025-DA05	B5107-RPMK-2025
3"	RP-BA-025-DA05	B5107-RPMK-3040
4"	RP-BA-045-DA	

This kit contains: (1) coupler, (1) bracket, (2) body bolts, (4) actuator bolts and washers

NOTE: Actuator must be purchased separately

B5107-Series Butterfly Valve Actuation Kits - Technical Information

RP-BA-Series Rack and Pinion Actuation Component Diagram



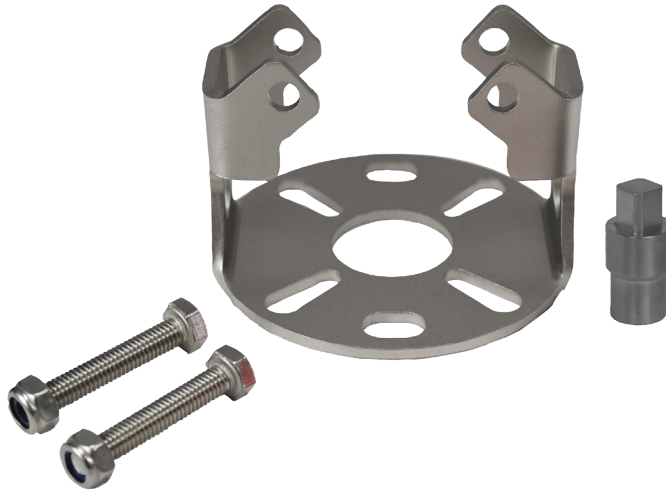
RP-BA-Series Actuation Kit Components

1	Body bolts
2	Body nuts
3	Valve body
4	Indicator
5	Coupler
6	Actuator bolts
7	Bracket
8	Actuator

NOTE: The dark grey components highlighted are what's included in the kit

Actuation Kits for B5107 Butterfly Valves

BEO-Series Actuation Kits for B5107 Butterfly Valves



24VDC Actuator		
Valve Size	Actuator Part #	Kit Part #
1/2" to 1-1/2"	BEOM-1E-11	B5107-EMK-5015
2" to 2-1/2"		B5107-EMK-2025
3"		B5107-EMK-3040
4"	BEOM-AE-11	

115VAC Actuator		
Valve Size	Actuator Part #	Kit Part #
1/2" to 1-1/2"	BEOM-1B-11	B5107-EMK-5015
2" to 2-1/2"		B5107-EMK-2025
3"		B5107-EMK-3040
4"	BEOM-AB-11	

12VDC Actuator		
Valve Size	Actuator Part #	Kit Part #
1/2" to 1-1/2"	BEOM-1C-11	B5107-EMK-5015
2" to 2-1/2"		B5107-EMK-2025
3"		B5107-EMK-3040
4"	BEOM-AC-11	

220VAC Actuator		
Valve Size	Actuator Part #	Kit Part #
1/2" to 1-1/2"	BEOM-1F-11	B5107-EMK-5015
2" to 2-1/2"		B5107-EMK-2025
3"		B5107-EMK-3040
4"	BEOM-AF-11	

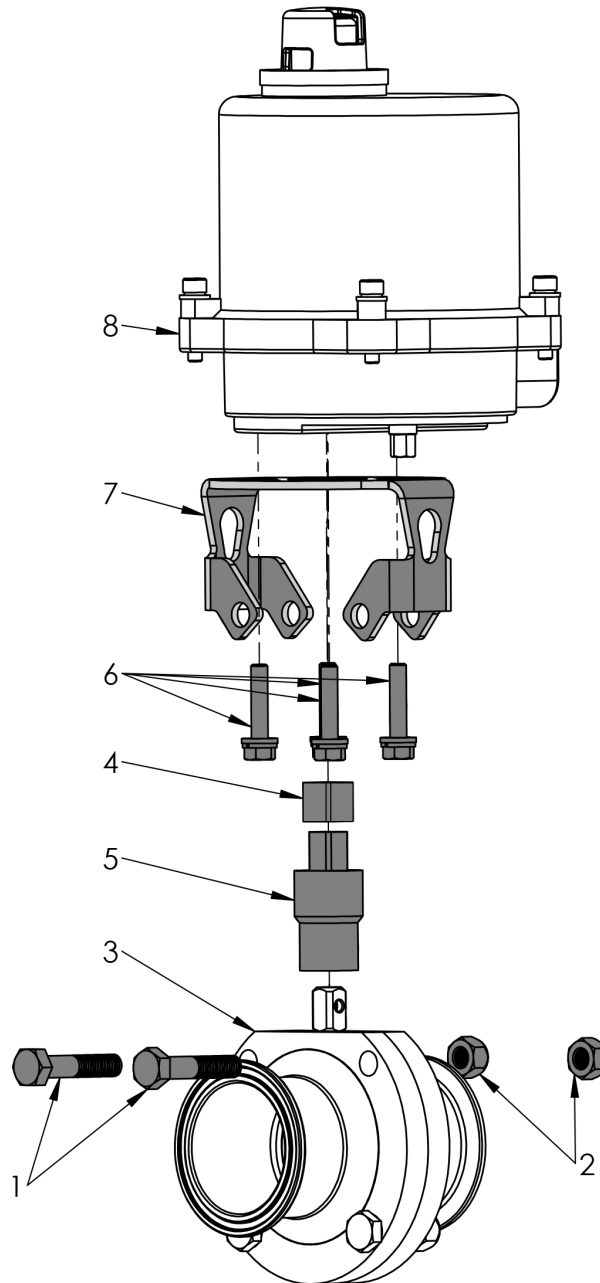
This kit contains: (1) coupler, (1) bracket, (2) body bolts,
 (4) actuator bolts and washers,
 (1) 14-17mm square sleeve*

*Only on 3" and 4" kits

NOTE: Actuator must be purchased seperately. Actuator models listed are base models with no options. For additional model options, please see B5107 part number configuration key.

B5107-Series Butterfly Valve Actuation Kits - Technical Information

BEO-Series Electric Actuation Component Diagram

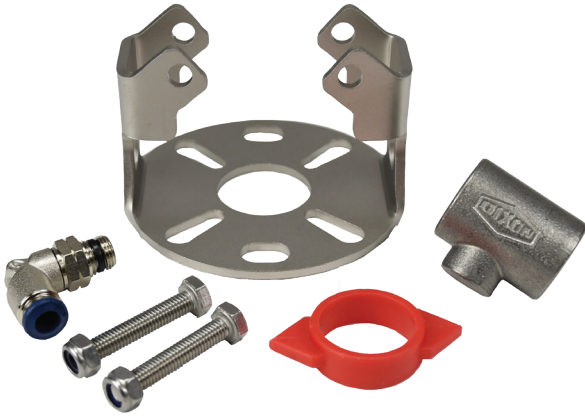


BEO-Series Actuation Kit Components

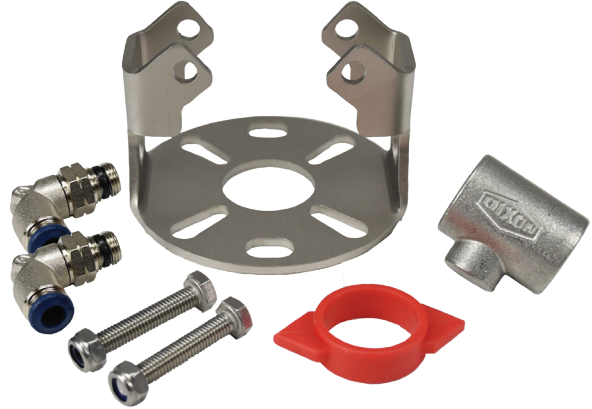
1	Body bolts
2	Body nuts
3	Valve body
4	Sleeve
5	Coupler
6	Actuator bolts
7	Bracket
8	Actuator

NOTE: The dark grey components highlighted are what's included in the kit

Actuation Kits for VC1-Series Vertical Canister



Spring return actuation kit
- for use with VC1SR actuator



Double acting actuation kit
- for use with VC1DA actuator

B5107-Series Actuation Kit

Spring Return Actuator	
Size	Part #
1/2" to 1-1/2"	VC1SR-7-5015
2" to 2-1/2"	VC1SR-7-2025
3" to 4"	VC1SR-1-7-3040

This kit contains: (1) coupler, (1) bracket, (1) indicator, (1) air fitting, (2) body bolts, (2) body nuts

Double Acting Actuator	
Size	Part #
1/2" to 1-1/2"	VC1DA-7-5015
2" to 2-1/2"	VC1DA-7-2025
3" to 4"	VC1DA-1-7-3040

This kit contains: (1) coupler, (1) bracket, (1) indicator, (2) air fittings, (2) body bolts, (2) body nuts

B5101-Series Actuation Kit

Spring Return Actuator	
Size	Part #
1/2" to 1"	VC1SR-1-5010
1-1/2"	VC1SR-1-15
2"	VC1SR-1-20
2-1/2"	VC1SR-1-25
3" to 4"	VC1SR-1-7-3040

This kit contains: (1) B5107 disc (only on 1/2" thru 2-1/2" sizes), (1) coupler, (1) bracket, (1) indicator, (1) air fitting, (2) body bolts, (2) body nuts

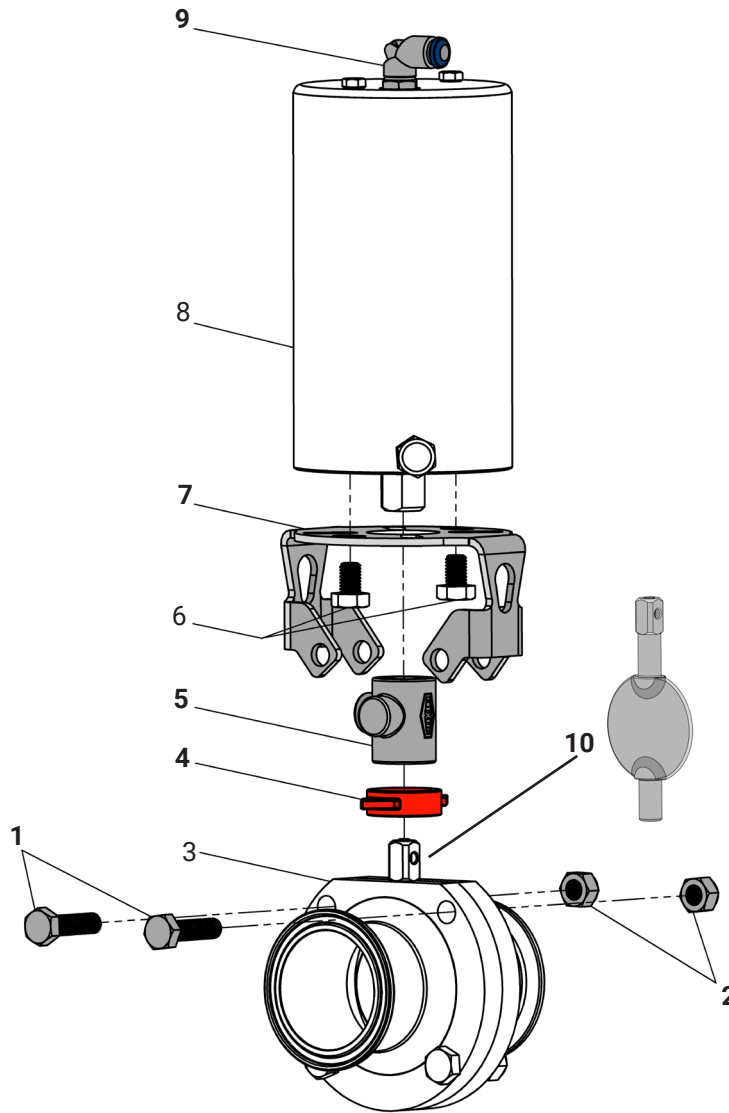
Double Acting Actuator	
Size	Part #
1/2" to 1"	VC1DA-1-5010
1-1/2"	VC1DA-1-15
2"	VC1DA-1-20
2-1/2"	VC1DA-1-25
3" to 4"	VC1DA-1-7-3040

This kit contains: (1) B5107 disc (only on 1/2" thru 2-1/2" sizes), (1) coupler, (1) bracket, (1) indicator, (2) air fittings, (2) body bolts, (2) body nuts

B5107-Series Butterfly Valve Actuation Kits - Technical Information

VC1-Series Vertical Canister Component Diagram

For full assembly instructions see the Instruction and Operation Manual for B5107 Butterfly Valve



VC1-Series Vertical Canister Kit Components

1	Body bolts
2	Body nuts
3	Valve body
4	Indicator
5	Coupler
6	Actuator bolts (not included in kit)
7	Bracket
8	Actuator (sold separately, includes acutator bolts)
9	Air fitting
10	Disc (only included in B5101 kits size 1/2" to 2-1/2")

NOTE: The dark grey components highlighted are what's included in the kit

