

B54BM-Series Compact Sight Glass

Applications

- Used in sanitary processes to view fluids. This sight glass is perfect on hose assemblies
- Found in food processing, beverage, winery, brewery, pet product, and industrial markets

Sizes

- 1", 1-1/2", 2", 3", and 4"

Features

- Compact design for hose assembly
- Less cost to repair than bolted styles

Specifications

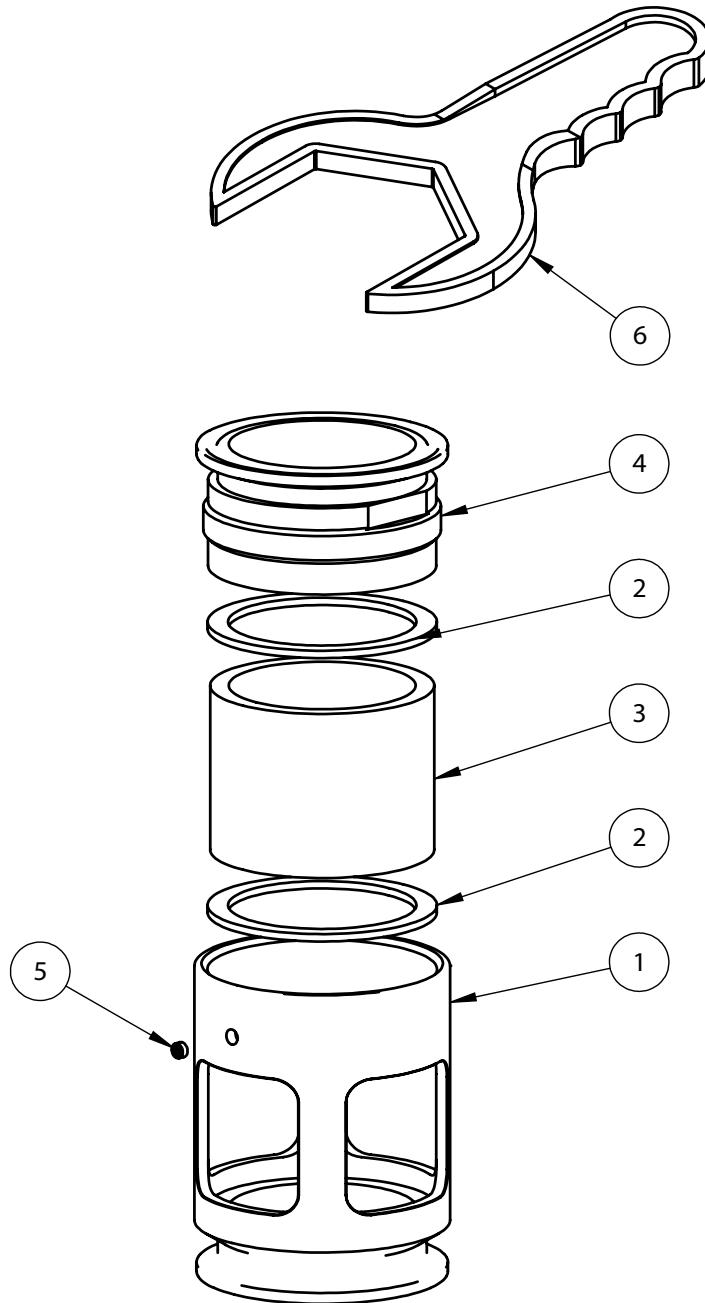
- Standard clamp connection
- Sight glass working pressure:
 - 1": **145 PSI**
 - 1-1/2": **145 PSI**
 - 2": **145 PSI**
 - 3": **120 PSI**
 - 4": **95 PSI**
- Maximum operating temperature: **200°F (93°C)**
- Minimum operating temperature: **0°F (-17°C)**
- Materials of construction
 - Product contact metal components: 316L stainless steel
 - Product contact sight window: Polycarbonate or Borosilicate Glass
 - Product contact seals: White Nitrile Rubber, FKM, EPDM
- Surface finish
 - Product Contact Metal Components: Ra ≤ 32



B54BM-Series Compact Sight Glass - Part Number Key

B54BM-Series Compact Sight Glass Part Number Key Example: B54BMPLX-R100_		Series	Sight Glass Material		Material	Size	Elastomer
		B54BM	PLX	-	R	100	
Series	Code						
B54BM	B54BM	←					
Sight Glass Material	Code						
Polycarbonate	PLX	←					
Borosilicate glass	PS						
Material	Code						
316L stainless steel	R	←					
Size	Code						
1"	100	←					
1-1/2"	150						
2"	200						
3"	300						
4"	400						
Elastomer	Code						
Nitrile rubber (standard)	blank	←					
FKM	V						
EPDM	E						

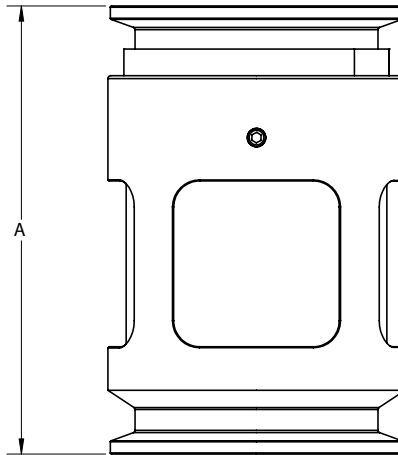
B54BM-Series Compact Sight Glass - Bill of Materials



B54BM-Series Compact Sight Glass - Bill of Materials

Item	Size	Part #	Description	Material	Qty.						
					Borosilicate Insert			Polycarbonate Insert			
					Nitrile	EPDM	FKM	Nitrile	EPDM	FKM	
1	1"	B54BMPS-1100	window body, clamp	316L stainless steel	1	1	1	1	1	1	
	1-1/2"	B54BMPS-1150									
	2"	B54BMPS-1200									
	3"	B54BMPS-1300									
	4"	B54BMPS-1400									
2	1"	B54BMP-SK100	elastomer kit (2-pieces)	Nitrile	1	-	-	1	-	-	
		B54BMP-EK100		EPDM	-	1	-	-	1	-	
		B54BMP-VK100		FKM	-	-	1	-	-	1	
	1-1/2"	B54BMP-SK150	elastomer kit (2-pieces)	Nitrile	1	-	-	1	-	-	
		B54BMP-EK150		EPDM	-	1	-	-	1	-	
		B54BMP-VK150		FKM	-	-	1	-	-	1	
	2"	B54BMP-SK200	elastomer kit (2-pieces)	Nitrile	1	-	-	1	-	-	
		B54BMP-EK200		EPDM	-	1	-	-	1	-	
		B54BMP-VK200		FKM	-	-	1	-	-	1	
	3"	B54BMP-SK300	elastomer kit (2-pieces)	Nitrile	1	-	-	1	-	-	
		B54BMP-EK300		EPDM	-	1	-	-	1	-	
		B54BMP-VK300		FKM	-	-	1	-	-	1	
	4"	B54BMP-SK400	elastomer kit (2-pieces)	Nitrile	1	-	-	1	-	-	
		B54BMP-EK400		EPDM	-	1	-	-	1	-	
		B54BMP-VK400		FKM	-	-	1	-	-	1	
3	1"	B54BMPS-GL100	insert	Borosilicate	1	1	1	-	-	-	
		B54BMPS-LX100		Polycarbonate	-	-	-	1	1	1	
	1-1/2"	B54BMPS-GL150	insert	Borosilicate	1	1	1	-	-	-	
		B54BMPS-LX150		Polycarbonate	-	-	-	1	1	1	
	2"	B54BMPS-GL200	insert	Borosilicate	1	1	1	-	-	-	
		B54BMPS-LX200		Polycarbonate	-	-	-	1	1	1	
	3"	B54BMPS-GL300	insert	Borosilicate	1	1	1	-	-	-	
		B54BMPS-LX300		Polycarbonate	-	-	-	1	1	1	
	4"	B54BMPS-GL400	insert	Borosilicate	1	1	1	-	-	-	
		B54BMPS-LX400		Polycarbonate	-	-	-	1	1	1	
	4	1"	B54BMPS-4100	upper body, clamp	316L stainless steel	1	1	1	1	1	1
		1-1/2"	B54BMPS-4150	upper body, clamp	316L stainless steel	1	1	1	1	1	1
2"		B54BMPS-4200	upper body, clamp	316L stainless steel	1	1	1	1	1	1	
3"		B54BMPS-4300	upper body, clamp	316L stainless steel	1	1	1	1	1	1	
4"		B54BMPS-4400	upper body, clamp	316L stainless steel	1	1	1	1	1	1	
5	all	B54BMPS-5	M5-0.8 set screw	Stainless steel	1	1	1	1	1	1	
6	1"	B54BMPS-WR100	wrench	Aluminum	1	1	1	1	1	1	
	1-1/2"	B54BMPS-WR150	wrench	Aluminum	1	1	1	1	1	1	
	2"	B54BMPS-WR200	wrench	Aluminum	1	1	1	1	1	1	
	3"	B54BMPS-WR300	wrench	Aluminum	1	1	1	1	1	1	
	4"	B54BMPS-WR400	wrench	Aluminum	1	1	1	1	1	1	

B54BM-Series Compact Sight Glass - Dimensions



Size	A
1"	3.4"
1-1/2"	3.6"
2"	3.8"
3"	4.1"
4"	4.3"

B54BM-Series Compact Sight Glass - Repair Kits and Replacement Parts

Size	Nitrile Rubber Seal Kit ¹	FKM Seal Kit ²	EPDM Seal Kit ³	Borosilicate Glass Replacement	Polycarbonate Replacement
1"	B54BMP-SK100	B54BMP-VK100	B54BMP-EK100	B54BMPS-GL100	B54BMPS-LX100
1-1/2"	B54BMP-SK150	B54BMP-VK150	B54BMP-EK150	B54BMPS-GL150	B54BMPS-LX150
2"	B54BMP-SK200	B54BMP-VK200	B54BMP-EK200	B54BMPS-GL200	B54BMPS-LX200
3"	B54BMP-SK300	B54BMP-VK300	B54BMP-EK300	B54BMPS-GL300	B54BMPS-LX300
4"	B54BMP-SK400	B54BMP-VK400	B54BMP-EK400	B54BMPS-GL400	B54BMPS-LX400

¹Kit contains: 2 black nitrile gaskets

²Kit contains: 2 FKM gaskets

³Kit contains: 2 EPDM gaskets

Limited Warranty

DIXON VALVE & COUPLING COMPANY, LLC (herein called "Dixon") warrants the products described herein and manufactured by Dixon to be free from defects in material and workmanship for a period of one (1) year from date of shipment by Dixon under normal use and service. Its sole obligation under this warranty being limited to repairing or replacing, as hereinafter provided, at its option any product found to Dixon's satisfaction to be defective upon examination by it, provided that such product shall be returned for inspection to Dixon's factory within three (3) months after discovery of the defect. The repair or replacement of defective products will be made without charge for parts or labor. This warranty shall not apply to: (a) parts or products not manufactured by Dixon, the warranty of such items being limited to the actual warranty extended to Dixon by its supplier; (b) any product that has been subject to abuse, negligence, accident, or misapplication; (c) any product altered or repaired by others than Dixon; and (d) normal maintenance services and the replacement of service items (such as washers, gaskets, and lubricants) made in connection with such services. To the extent permitted by law, this limited warranty shall extend only to the buyer and any other person reasonably expected to use or consume the goods who is injured in person by any breach of the warranty. No action may be brought against Dixon for an alleged breach of warranty unless such action is instituted within one (1) year from the date the cause of action accrues. This limited warranty shall be construed and enforced to the fullest extent allowable by applicable law.

Other than the obligation of Dixon set forth herein, Dixon disclaims all warranties, express or implied, including but not limited to any implied warranties of merchantability or fitness for a particular purpose, and any other obligation or liability. The foregoing constitutes Dixon's sole obligation with respect to damages, whether direct, incidental, or consequential, resulting from the use or performance of the product.

Some products and sizes may be discontinued when stock is depleted or may require a minimum quantity for ordering.

Limits of Liability

This brochure is intended as a product offering. It is not intended to be a user or technical manual. Information in this brochure is subject to change without notice. All users and distributors of products sold through this brochure should contact Dixon with questions of use, compatibilities, coupling procedures, and life of product. Our full-time engineering and test staff are always available to recommend uses and to assist distributors and users with any questions.



Safety



Safety logos, which appear throughout our catalog, are used as a reminder that the user should carefully review for the appropriateness of the product for the media, application, and environment in which it will be used.

NOTE: Because of the health hazards associated with contamination and lead content in drinking water systems, Dixon couplings, unless otherwise specifically approved, are not recommended for potable water service and should not be used in applications where drinking water will contact the wetted surfaces of the coupling.

All Dixon products are shipped in cartons with the following warning:

"WARNING: This product contains lead, a chemical known to the State of California to cause cancer and birth defects or other reproductive harm."

Trademark

Delrin® and Zytel® are registered trademarks of E.I. duPont Nemours and Company.

Kalrez® is a registered trademark of DuPont Dow Elastomers.

All other trademarks appearing in the Dixon illustrated product list are the property of their respective owners.

Copyright

Copyright © 2023 by Dixon Valve & Coupling Company, LLC

All rights reserved. This book is copyrighted material. Use, reproduction or copying of it by anyone other than Dixon® is strictly forbidden without its express written consent.

NOTE: Reasonable care has been taken in preparing this catalog. Dixon Valve & Coupling Company, LLC reserves the right to make corrections.

