



HAV-Series Air Relief Check Valve



The HAV Series Air Relief Check Valve is installed vertically on suction lines where air removal is required.

The Dixon air relief valve is a double-seated valve with a freely moving polypropylene ball. The ball, which is lighter than water, closes against the upper or lower seat, against vacuum or positive pressure conditions. Under vacuum the ball sits at the bottom of the valve. Under positive pressure the ball moves allowing air to escape.

Application

- They are found in food processing, beverage, dairy, personal care, winery, brewery, pet product, and industrial markets.

Sizes

- 1-1/2" and 2"

Features

- Replaceable ball and gasket
- Valve seals for pressure and vacuum

Specifications

- Clamp connections standard
- Valve data:
 - Maximum pressure: **145 PSI (10 bar)**
 - Maximum operating temperature: **212°F (100°C)**
- Materials of construction:
 - Product contact metal components: **304 stainless steel**
 - Non-product contact metal components: **304 stainless steel**
 - Product contact seals: EPDM (standard), others available upon request
- Ball material: **Polypropylene (standard) or PTFE**
- Ball material density:
 - Polypropylene: **0.033 lb/in³**
 - PTFE: **0.078 lb/in³**
- Surface finish
 - Product contact metal components: **Ra ≤ 32**

NOTE: Not for use on tanks

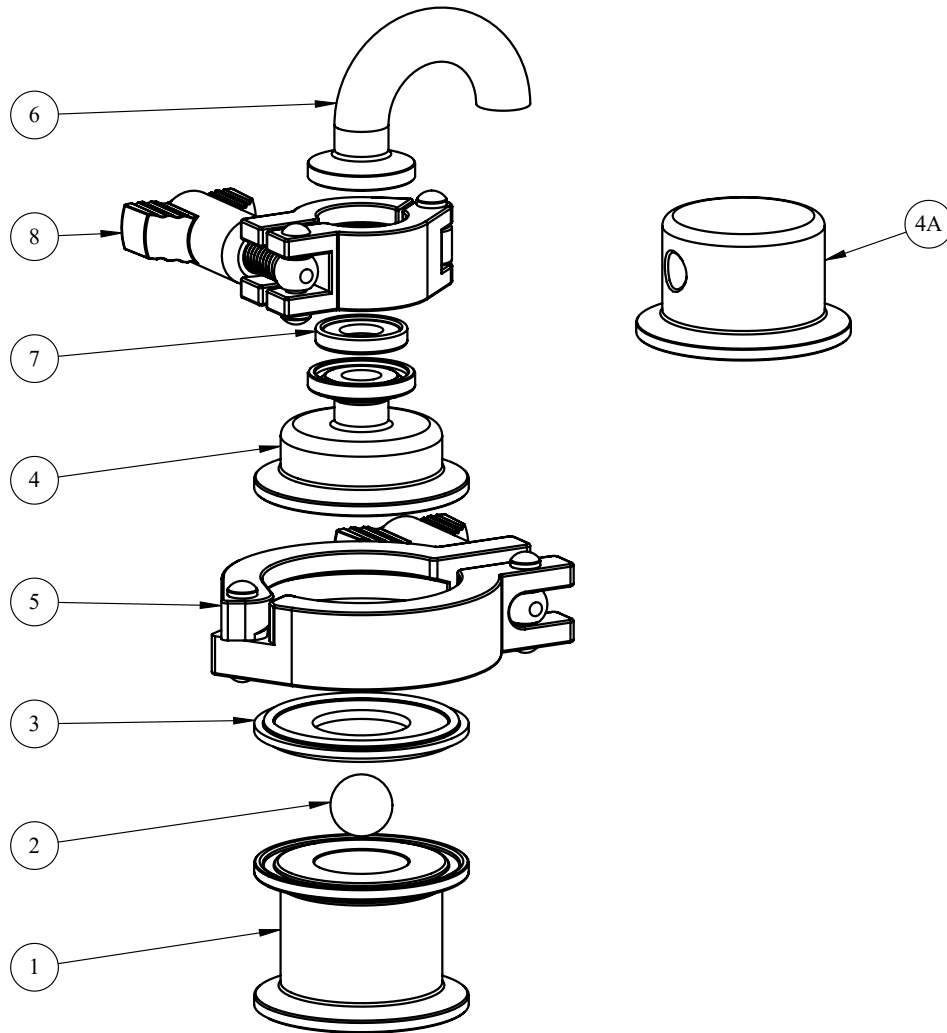
NOTE: 3A approved only when used with 3A cover (item #4 on page 4)



HAV-Series Air Relief Check Valve - Part Number Key

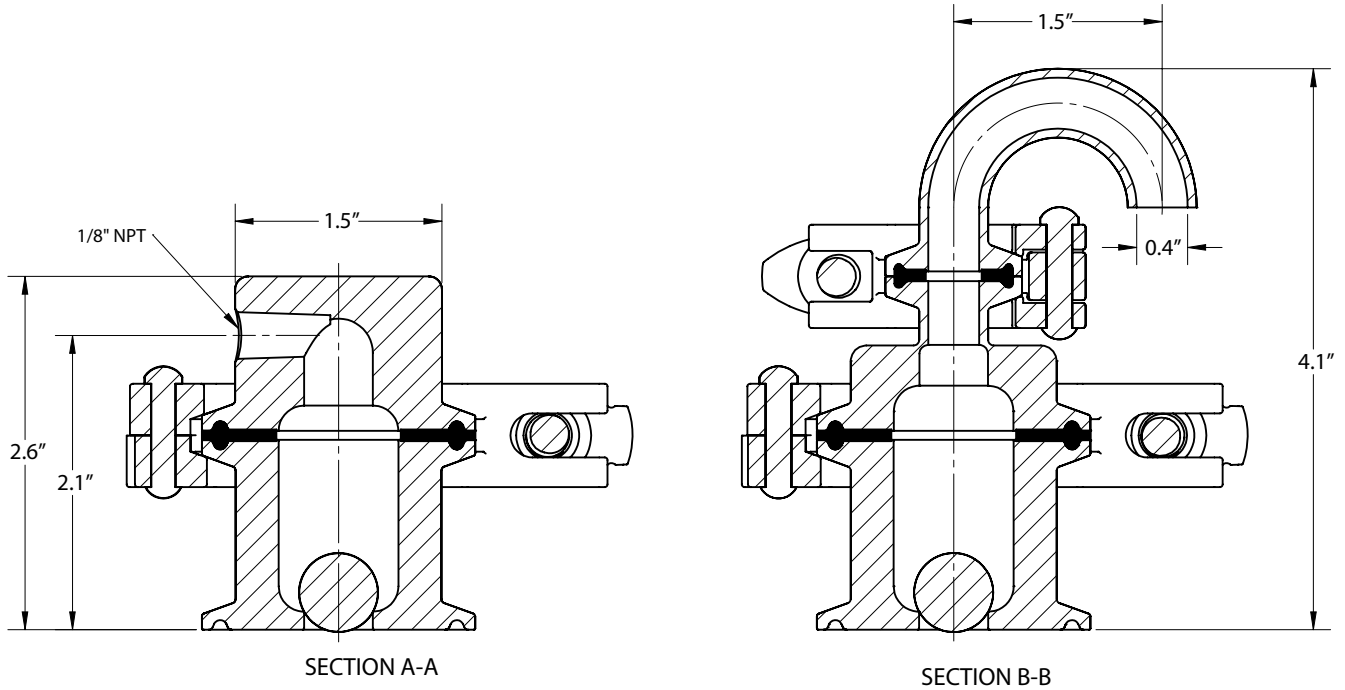
| Dixon HAV-Series Air Relief Check Valve Part Number Key Example: HAVNEA150 | | Series | Style | Elastomer | Ball Material | Size |
|--|-------------|--------|-------|-----------|---------------|------|
| | | HAV | N | E | A | 150 |
| Series | Code | ← | | | | |
| HAV | HAV | | | | | |
| Style | Code | ← | | | | |
| 1/8" NPT tap (not 3A) | N | | | | | |
| 1/2" 3A elbow | 3 | | | | | |
| Elastomer | Code | ← | | | | |
| EPDM (standard) | E | | | | | |
| FKM | V | | | | | |
| Ball Material | Code | ← | | | | |
| Polypropylene (standard) | A | | | | | |
| PTFE | P | | | | | |
| Size | Code | ← | | | | |
| 1-1/2" | 150 | | | | | |
| 2" | 200 | | | | | |

HAV-Series Air Relief Check Valve - Bill of Materials



| Item | Valve Size | Part # | Description | Material | Elbow | NPT |
|------|------------|-----------------|--------------------|---------------------|-------|-----|
| | | | | | Qty | |
| 1 | 1-1/2" | HAV-1-150 | 1-1/2" body | 304 stainless steel | 1 | 1 |
| | 2" | HAV-1-200 | 2" body | | | |
| 2 | all | HAV-3P | ball | Polypropylene | 1 | 1 |
| | | HAV-3T | | PTFE | | |
| 3 | all | 40MP-E100 | 1" gasket | EPDM | 1 | 1 |
| 4 | all | HAV-4 | 3A cover | 304 stainless steel | 1 | - |
| 4A | all | HAV-4A | tapped cover | 304 stainless steel | - | 1 |
| 5 | all | 13MHHM100-150SN | 1" to 1-1/2" clamp | CF8 | 1 | 1 |
| 6 | all | HAV-6 | 180° tube ferrule | 304 stainless steel | 1 | - |
| 7 | all | 42MP-E50 | 1/2" gasket | EPDM | 1 | - |
| 8 | all | 13MHHM50-75SN | 1/2" clamp | CF8 | 1 | - |

HAV-Series Air Relief Check Valve - Dimensions



Repair Kits for HAV-Series Air Relief Check Valve

| Size | Polypropylene Ball Part # | PTFE Ball Part # |
|------|------------------------------|---------------------|
| All | HAV-3P | HAV-3T |

Limited Warranty

DIXON VALVE & COUPLING COMPANY, LLC (herein called "Dixon") warrants the products described herein and manufactured by Dixon to be free from defects in material and workmanship for a period of one (1) year from date of shipment by Dixon under normal use and service. Its sole obligation under this warranty being limited to repairing or replacing, as hereinafter provided, at its option any product found to Dixon's satisfaction to be defective upon examination by it, provided that such product shall be returned for inspection to Dixon's factory within three (3) months after discovery of the defect. The repair or replacement of defective products will be made without charge for parts or labor. This warranty shall not apply to: (a) parts or products not manufactured by Dixon, the warranty of such items being limited to the actual warranty extended to Dixon by its supplier; (b) any product that has been subject to abuse, negligence, accident, or misapplication; (c) any product altered or repaired by others than Dixon; and (d) normal maintenance services and the replacement of service items (such as washers, gaskets, and lubricants) made in connection with such services. To the extent permitted by law, this limited warranty shall extend only to the buyer and any other person reasonably expected to use or consume the goods who is injured in person by any breach of the warranty. No action may be brought against Dixon for an alleged breach of warranty unless such action is instituted within one (1) year from the date the cause of action accrues. This limited warranty shall be construed and enforced to the fullest extent allowable by applicable law.

Other than the obligation of Dixon set forth herein, Dixon disclaims all warranties, express or implied, including but not limited to any implied warranties of merchantability or fitness for a particular purpose, and any other obligation or liability. The foregoing constitutes Dixon's sole obligation with respect to damages, whether direct, incidental, or consequential, resulting from the use or performance of the product.

Some products and sizes may be discontinued when stock is depleted or may require a minimum quantity for ordering.

Limits of Liability

This brochure is intended as a product offering. It is not intended to be a user or technical manual. Information in this brochure is subject to change without notice. All users and distributors of products sold through this brochure should contact Dixon with questions of use, compatibilities, coupling procedures, and life of product. Our full-time engineering and test staff are always available to recommend uses and to assist distributors and users with any questions.



Safety



Safety logos, which appear throughout our catalog, are used as a reminder that the user should carefully review for the appropriateness of the product for the media, application, and environment in which it will be used.

NOTE: Because of the health hazards associated with contamination and lead content in drinking water systems, Dixon couplings, unless otherwise specifically approved, are not recommended for potable water service and should not be used in applications where drinking water will contact the wetted surfaces of the coupling.

All Dixon products are shipped in cartons with the following warning:

"WARNING: This product contains lead, a chemical known to the State of California to cause cancer and birth defects or other reproductive harm."

Trademark

Delrin® and Zytel® are registered trademarks of E.I. duPont Nemours and Company.

Kalrez® is a registered trademark of DuPont Dow Elastomers.

All other trademarks appearing in the Dixon illustrated product list are the property of their respective owners.

Copyright

Copyright © 2023 by Dixon Valve & Coupling Company, LLC

All rights reserved. This book is copyrighted material. Use, reproduction or copying of it by anyone other than Dixon® is strictly forbidden without its express written consent.

NOTE: Reasonable care has been taken in preparing this catalog. Dixon Valve & Coupling Company, LLC reserves the right to make corrections.

