



Dixon®/Packo RZL-Series Rotary Lobe Pump



Designed for conveying fluids in the low to high viscosity range with gentle product handling in a broad range of applications from dairy, food, beverage, pharmaceutical, cosmetics, bakery, and chemical industries.

RZL-series pumps can be fitted with a variety of features and rotors to adapt to almost all hygienic pumping tasks. The pumps can be customized to achieve optimum function and performance for your process.

Sizes

- 1", 1-1/2", 2", 2-21/2", 3", 4", 5"

Features

- Universal mounting - pumps can be mounted with top or bottom shaft drive and vertical or horizontal inlet/outlet
- Stainless steel gear box with single oil reservoir made from precision casting offers paint free and rust free long lasting durability for 100-300 series
- 400 series gear box is constructed of cast iron
- Helical timing gears drive the rotors with less vibration to extend pump efficiency and seal life
- Front loaded seals provide faster maintenance, easier cleaning, and less down time
- Stainless steel shims between the gearbox and casing make it easy to adjust rotor clearance without having to completely disassemble the gear box
- Base mount and cart packages available



Materials

- Product contact metal components: 316L stainless steel
- Product contact elastomers: EPDM, nitrile rubber, FKM

Specifications

- Standard connections: clamp
- Minimum operating temperature: **14°F (-10°C)**
- Maximum operating temperature (standard rotors): **248°F (120°C)**
- Maximum operating temperature (high temp rotors): **356°F (180°C)**
- Viscosity range: 1 - 1,000,000 cP
- Shaft seal data
  - Seal options: single mechanical, double mechanical, O-ring, and triple lip
  - Maximum flushing water pressure: **7 PSI (0.5 bar)**
  - Flushing water consumption: 30~60 cubic inches/min (0.25~0.5 liter/min)
  - Stationary seal ring material: tungsten carbide
  - Rotating seal ring material: tungsten carbide (standard), silicon carbide (optional)
  - Triple lip seal material: RTFE
- Surface Finish
  - Product Contact Metal Components: **Ra ≤ 32**
- Gearbox oil type: Shell Omala S2 G 150 or equivalent grade

RZL-Series Maximum RPM

Viscosity (cP)	RZL Model No.								
	110	115	120	220	225	330	340	440	450
	Recommended Maximum RPM								
1 - 100	1000	800	800	700	700	600	600	500	500
100 - 1,000	667	533	533	467	467	400	400	333	333
1,000 - 5,000	417	333	333	292	292	250	250	208	208
5,000 - 10,000	250	200	200	175	175	150	150	125	125
10,000 - 20,000	167	133	133	117	117	100	100	83	83
20,000 - 50,000	117	93	93	82	82	70	70	58	58
50,000 - 100,000	83	67	67	58	58	50	50	42	42

NOTE: This maximum RPM speed is calculated and estimated within the ideal operational condition. Pressure, solid (particle), operation hour, and other operational conditions effect this maximum RPM. High RPM is not recommended for pump durability.

canada.dixonvalve.com  
Customer Service  
877.963.4966

### RZL-Series Rotary Lobe Pump - Pump Models

Model	Gal/Rev	$\Delta P$ (PSI) <sup>1</sup>	Port Size	Max Solid Size (in)
RZL 105	0.005	300	1"	2 x 3/4
RZL 110	0.01	300	1"	
RZL 115	0.03	175	1-1/2"	
RZL 120	0.06	115	2"	
RZL 220	0.11	175	2"	2-1/2 x 1
RZL 225	0.16	115	2-1/2"	
RZL 330	0.27	175	3"	3 x 2
RZL 340	0.38	115	4"	
RZL 440	0.6	175	4"	4 x 2
RZL 450	0.88	115	5"	

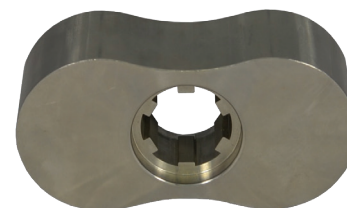
### RZL-Series Rotary Lobe Pump - Rotary Lobes



bi-wing



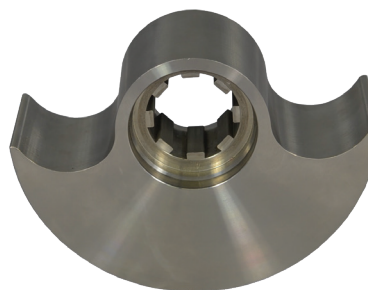
heli-lobe



bi-lobe



tri-lobe



single-wing

### RZL-Series Rotary Lobe Pump - Maximum Speed (RPM) (1 - 100 cP)

Model	Bi-Wing	Heli-Lobe <sup>1</sup>	Bi-Lobe	Tri-Lobe	Single-Wing	Multi-Lobe
RZL 105	-	-	-	-	-	800
RZL 110	800	-	-	-	-	800
RZL 115	800	800	800	800	100	800
RZL 120	800	800	800	800	100	800
RZL 220	700	700	700	700	100	-
RZL 225	700	700	700	700	100	-
RZL 330	600	600	600	600	100	-
RZL 340	600	600	600	600	100	-
RZL 440	500	500	500	500	100	-
RZL 450	500	500	500	500	100	-

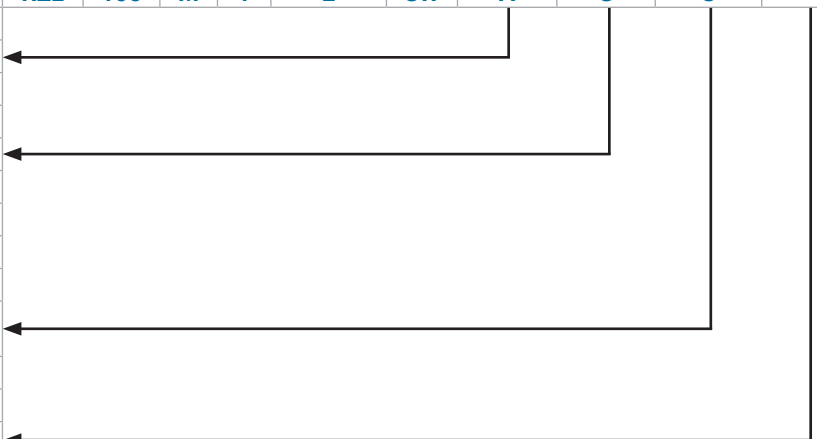
<sup>1</sup>Pulsation free heli-lobe rotors give the pump increased capacity.

RZL-Series Rotary Lobe Pump - Part Number Key

RZL-Series Rotary Lobe Pump Part Number Key Example: RZL105M1ESWAGS_		Series	Model	Port	Seal	Elastomer	Rotor Type	Rotor Material	Position	Gear Casing Material	Options
		RZL	105	M	1	E	SW	A	G	S	
<b>Series</b>	<b>Code</b>										
RZL	RZL	←									
<b>Model</b>	<b>Code</b>										
105 - 1" port (0.005 gal/rev)	105	←									
110 - 1" port (0.01 gal/rev)	110										
115 - 1-1/2" port (0.03 gal/rev)	115										
120 - 2" port (0.06 gal/rev)	120										
220 - 2" port (0.11 gal/rev)	220										
225 - 2-1/2" port (0.16 gal/rev)	225										
330 - 3" port (0.27 gal/rev)	330										
340 - 4" port (0.38 gal/rev)	340										
440 - 4" port (0.60 gal/rev)	440										
450 - 5" port (0.88 gal/rev)	450										
<b>Port</b>	<b>Code</b>										
Clamp	M	←									
Weld	W										
Bevel seat	B										
150lb flange*	K										
Male NPT*	N										
Male NPT reduced to 1-1/2"	P										
DIN male	3										
SMS male	5										
<b>Seal</b>	<b>Code</b>										
Single O-ring*	1	←									
Single mechanical seal TC/TC - tungsten carbide vs tungsten carbide	2										
Triple lip seal*	3										
Double mechanical seal w flush TC/TC/C - carbon vs tungsten carbide vs tungsten carbide with flush	4										
<b>Elastomer</b>	<b>Code</b>										
EPDM	E	←									
nitrile rubber	B										
FKM	V										
Contact Dixon Sanitary for other options.											
<b>Rotor Type</b>	<b>Code</b>										
Single wing (not available in RZL105 and RZL110)	SW	←									
Bi-wing (standard) (not available in RZL105)	BW										
Bi-lobe (not available in RZL105 and RZL110)	BL										
Tri-lobe (not available in RZL105 and RZL110)	3L										
Multi-lobe (only available in RZL105, RZL110, RZL115, RZL120)	5L										
Heli-lobe (not available in RZL105 and RZL110)	HL										
Hot clearance bi-wing (not available in RZL105)	HB										
Hot clearance tri-lobe (not available in RZL105 and RZL110)	H3										
Hot clearance heli-lobe (not available in RZL105 and RZL110)	HH										

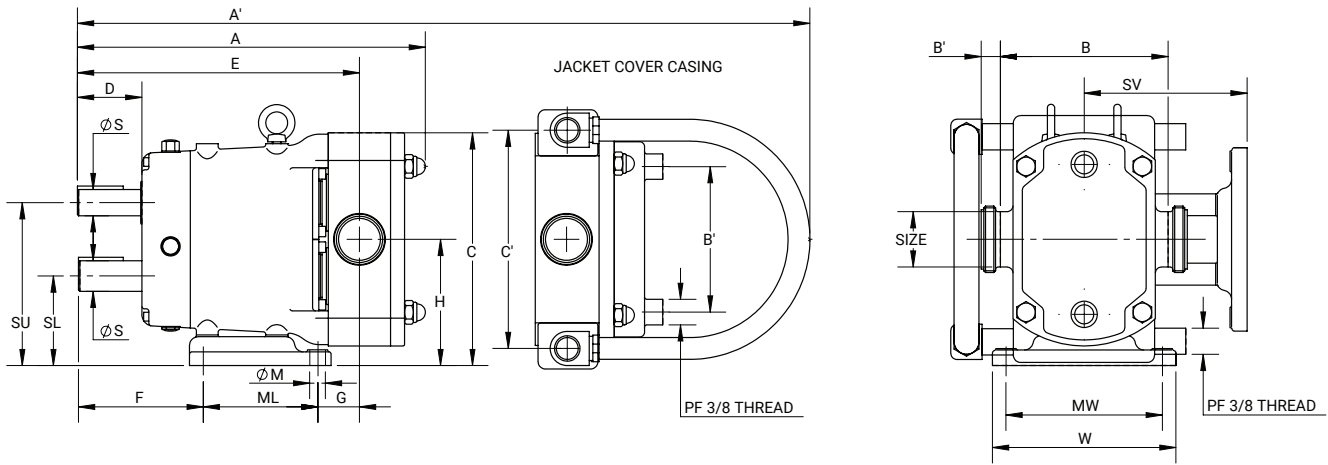
\*Not 3A or EHEDGE certified

### RZL-Series Rotary Lobe Pump - Part Number Key

RZL-Series Rotary Lobe Pump Part Number Key Example: RZL105M1ESWAGS_		Series	Model	Port	Seal	Elastomer	Rotor Type	Rotor Material	Position	Gear Casing Material	Options
		RZL	105	M	1	E	SW	A	G	S	
<b>Rotor Material</b>	<b>Code</b>										
Stainless steel	A										
Contact Dixon Sanitary for other options											
<b>Position</b>	<b>Code</b>										
Horizontal lower shaft	G										
Horizontal top shaft	H										
Vertical left shaft (view from front)	V										
Vertical right shaft (view from front)	W										
<b>Gear Casing Material</b>	<b>Code</b>										
Stainless steel (standard for 100-300 series, not available for 400 series)	S										
Epoxy painted	E										
<b>Options</b>	<b>Code</b>										
None	blank										
Front cover jacket	A										
Rectangular inlet	B										
Pressure relief valve cover	C										
Front bearing cover	D										
Casing jacket	G										
Special gearcase air relief valve	H										
Front cover and casing jacketed	J										
Special face to face dim	O										
Special rotor nut and tool	R										
6" extension	Z										
TC/TC self contained flush/acrylic (only used with double mechanical seal with flush)	7										
No foot plate	K										
Rectangular inlet with special gearcase air relief valve	L										

NOTE: Contact Dixon Sanitary for other options.

RZL-Series Rotary Lobe Pump - Dimensions



Model	Dimensions																
	A (in)	B (in)	C (in)	D (in)	E (in)	F (in)	G (in)	H (in)	H1 (mm)	J (in)	K (in)	L (in)	M (in)	N (mm)	X <sup>1</sup> (mm)	Y <sup>2</sup> (mm)	Z (mm)
RZL 105	10.40	5.98	7.80	8.62	3.78	3.31	5.28	1.54	12	1.85	5.55	3.03	4.29	22	34	8	9
RZL 110	10.40	5.98	7.68	8.35	3.78	3.31	5.28	1.54	12	1.85	5.55	3.03	4.29	22	34	8	9
RZL 115	10.80	5.98	7.80	8.74	3.78	3.31	5.28	1.65	12	1.85	5.55	3.03	4.29	22	34	8	9
RZL 120	11.42	5.98	7.80	9.02	3.78	3.31	5.28	1.93	12	1.85	5.55	3.03	4.29	22	34	8	9
RZL 220	14.84	7.40	10.12	12.09	5.08	5.20	7.09	1.81	15	2.32	7.28	3.98	5.63	32	53	10	11
RZL 225	15.75	7.40	10.12	12.60	5.08	5.20	7.09	2.13	15	2.32	7.28	3.98	5.63	32	53	10	11
RZL 330	18.70	9.53	13.54	15.32	6.06	6.30	9.53	2.95	22	2.76	9.59	5.06	7.32	45	57	14	13
RZL 340	19.69	9.53	13.54	15.83	6.06	6.30	9.53	3.47	22	2.76	9.59	5.06	7.32	45	57	14	13
RZL 440	24.41	12.76	18.03	19.88	7.80	8.27	12.60	3.94	30	3.15	12.76	6.69	9.72	55	67	14	15
RZL 450	25.79	12.76	18.03	20.55	7.80	8.27	12.60	4.61	30	3.15	12.76	6.69	9.72	55	67	14	15

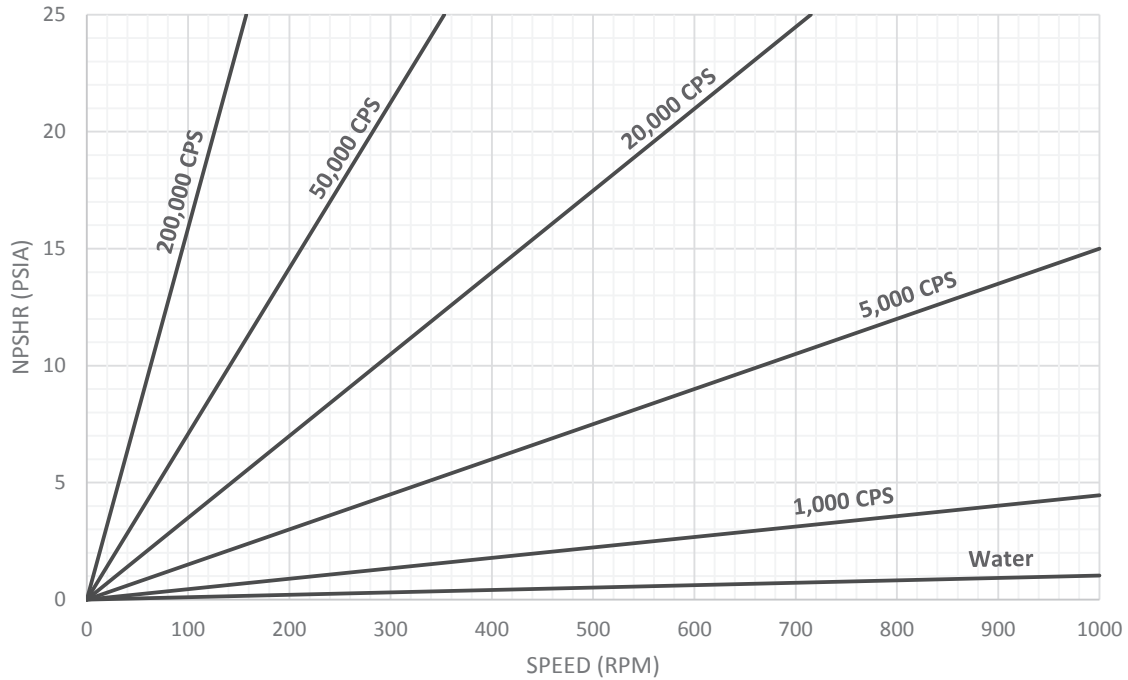
<sup>1</sup>X = key length  
<sup>2</sup>Y = key width

Model	Port Size	Dimension B1 (in)					AJ (in)	J1 (in)	J2 (in)	Weight (lb)
		clamp	BS	DIN	SMS	flange				
RZL 105	1"	0.79	1.02	0.98	1.10	1.18	16.73	4.80	7.09	37
RZL 110	1"	0.79	1.02	1.18	1.10	1.18	16.73	4.80	7.09	37
RZL 115	1-1/2"	0.87	1.02	1.18	0.79	1.18	16.93	4.80	7.09	42
RZL 120	2"	0.87	1.02	1.18	0.87	1.18	17.32	4.80	7.09	44
RZL 220	2"	0.87	1.02	1.18	0.87	1.18	23.82	6.77	9.25	93
RZL 225	2-1/2"	1.02	1.02	1.46	1.10	1.38	24.80	6.77	9.25	106
RZL 330	3"	1.10	1.02	1.65	1.10	1.57	28.35	9.69	12.13	207
RZL 340	4"	1.10	1.02	1.77	1.38	2.13	29.29	9.69	12.13	227
RZL 440	4"	1.10	1.02	1.77	1.38	2.13	32.68	14.09	16.54	496
RZL 450	5"	1.18	1.02	1.81	1.38	2.13	35.28	14.09	16.54	551

## RZL-Series Rotary Lobe Pump - 100 Series Pump Curves

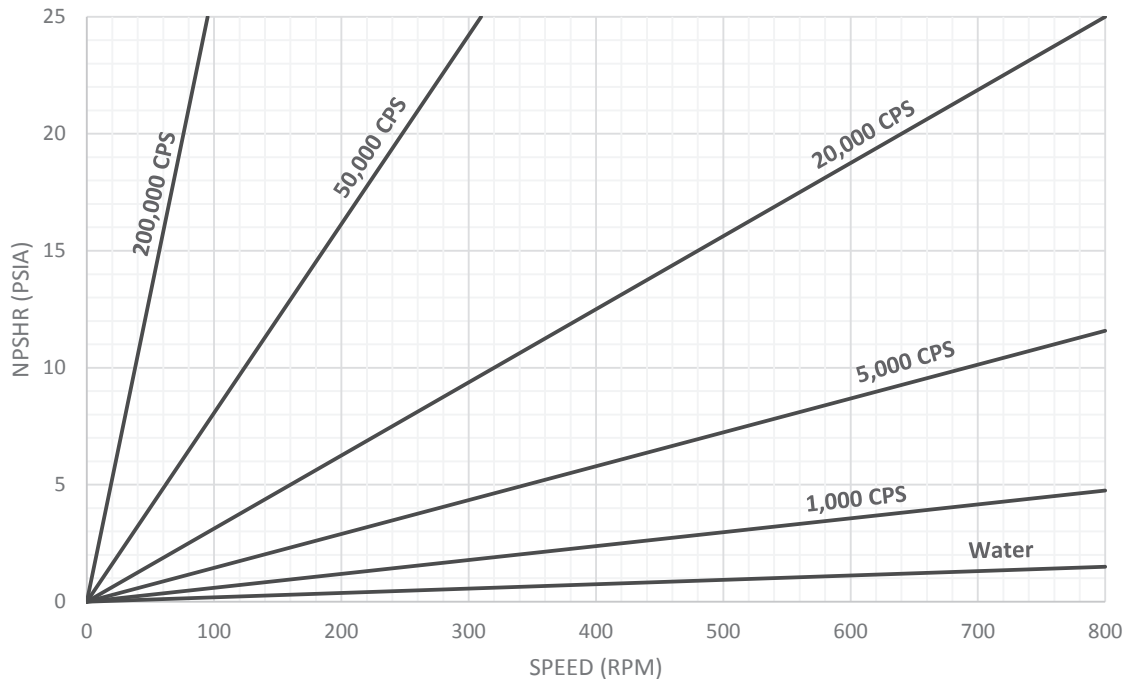
### RZL 110 NPSHR

Port size: 1" x 1"



### RZL 115 NPSHR

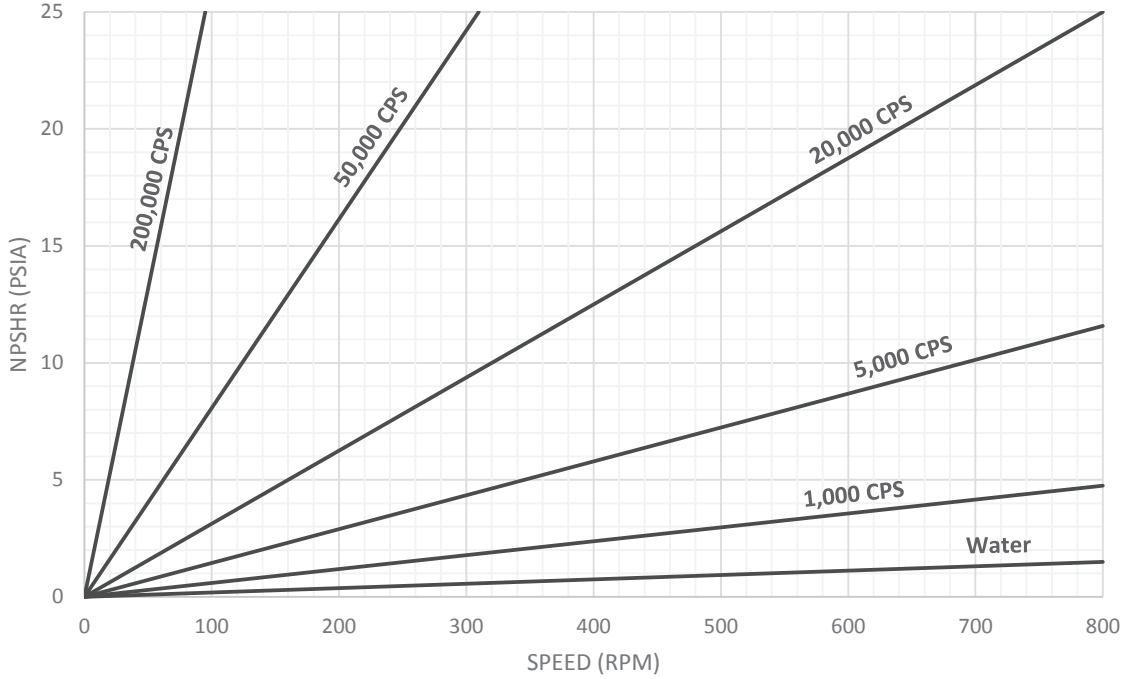
Port size: 1-1/2" x 1-1/2"



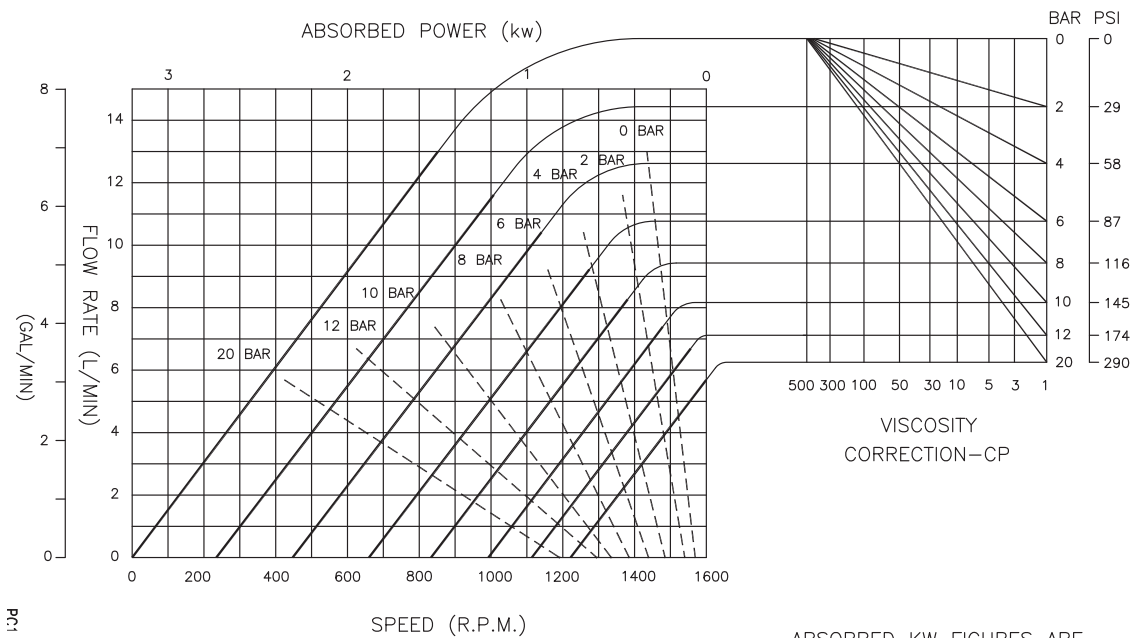
## RZL-Series Rotary Lobe Pump - 100 Series Pump Curves

### RZL 120 NPSHR

Port size: 2" x 2"



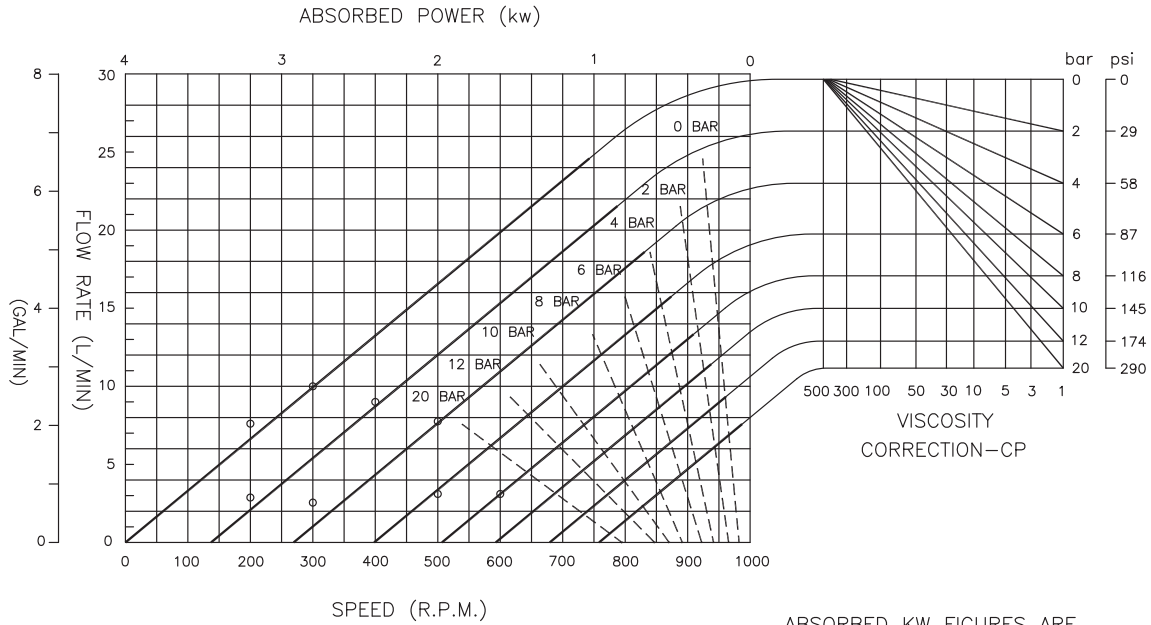
### RZL 105 Multi-Lobe Capacity



PC1  
ABSORBED KW FIGURES ARE FOR 1CP VISCOSITY

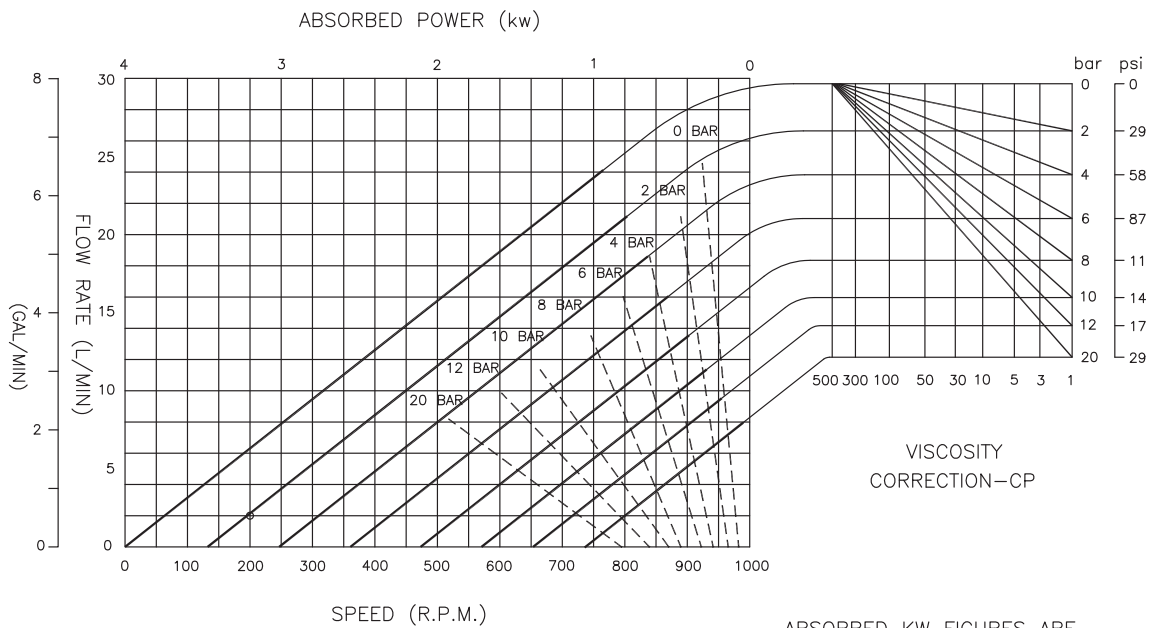
## RZL-Series Rotary Lobe Pump - 100 Series Pump Curves

### RZL 110 Bi-Wing Capacity



ABSORBED KW FIGURES ARE FOR 1CP VISCOSITY

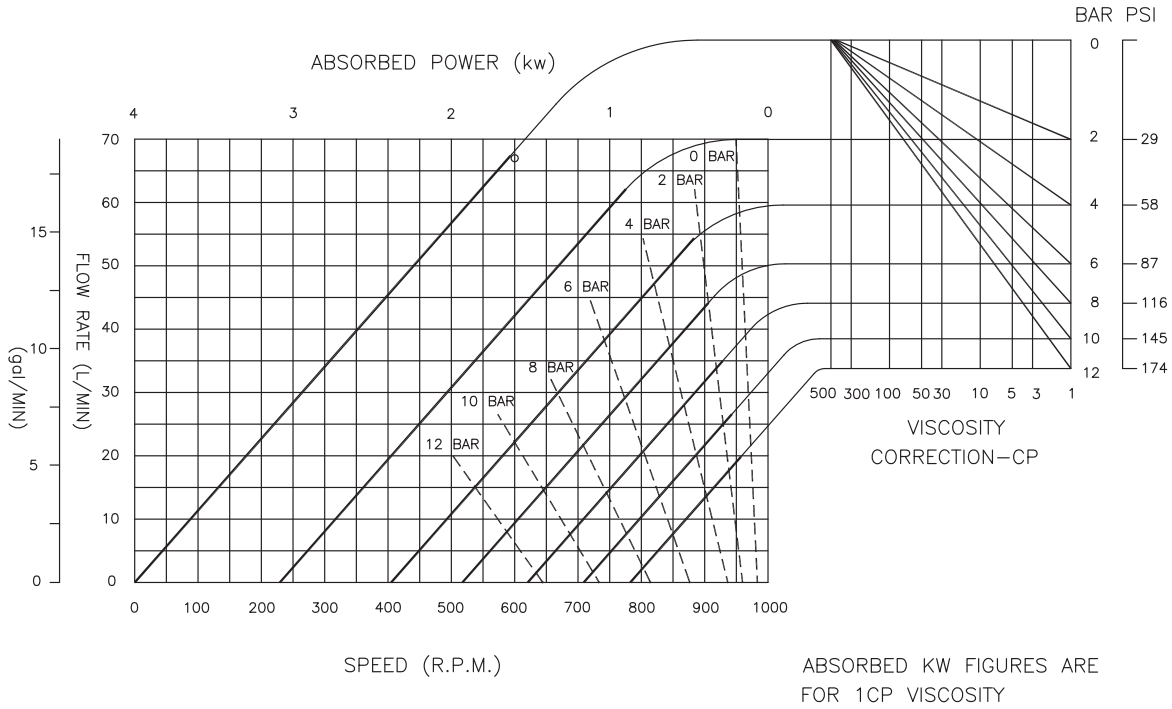
### RZL 110 Multi-Lobe Capacity



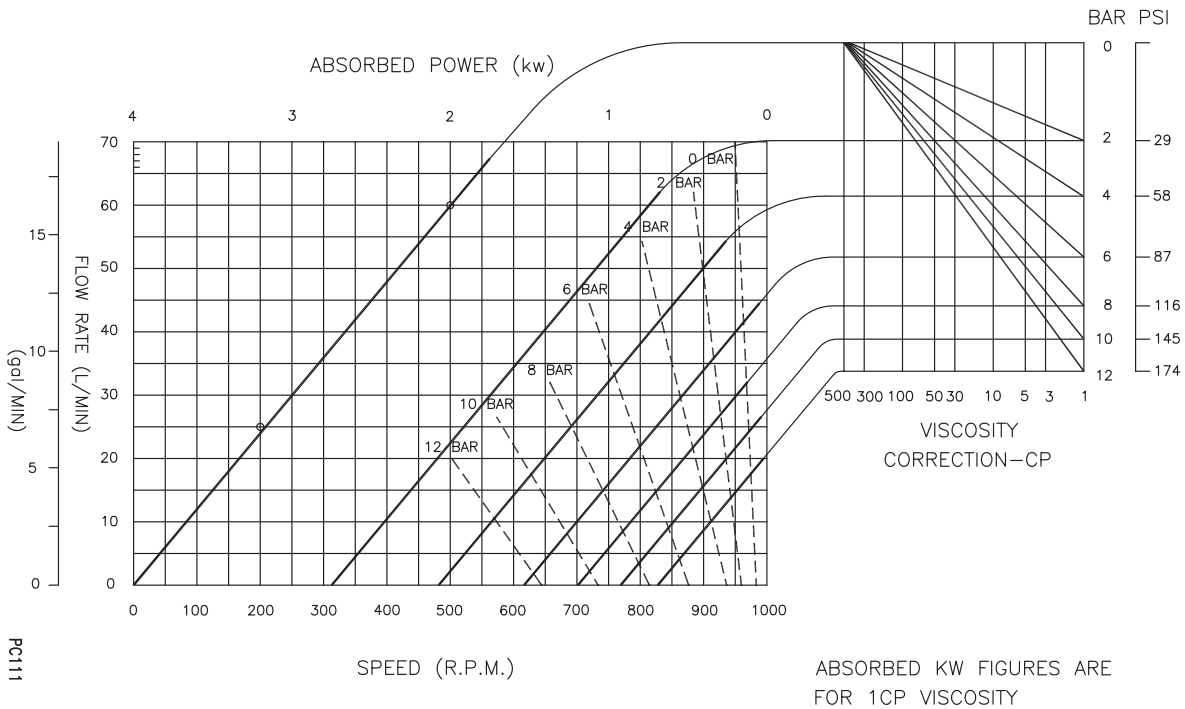
ABSORBED KW FIGURES ARE FOR 1CP VISCOSITY

## RZL-Series Rotary Lobe Pump - 100 Series Pump Curves

### RZL 115 Bi-Wing Capacity



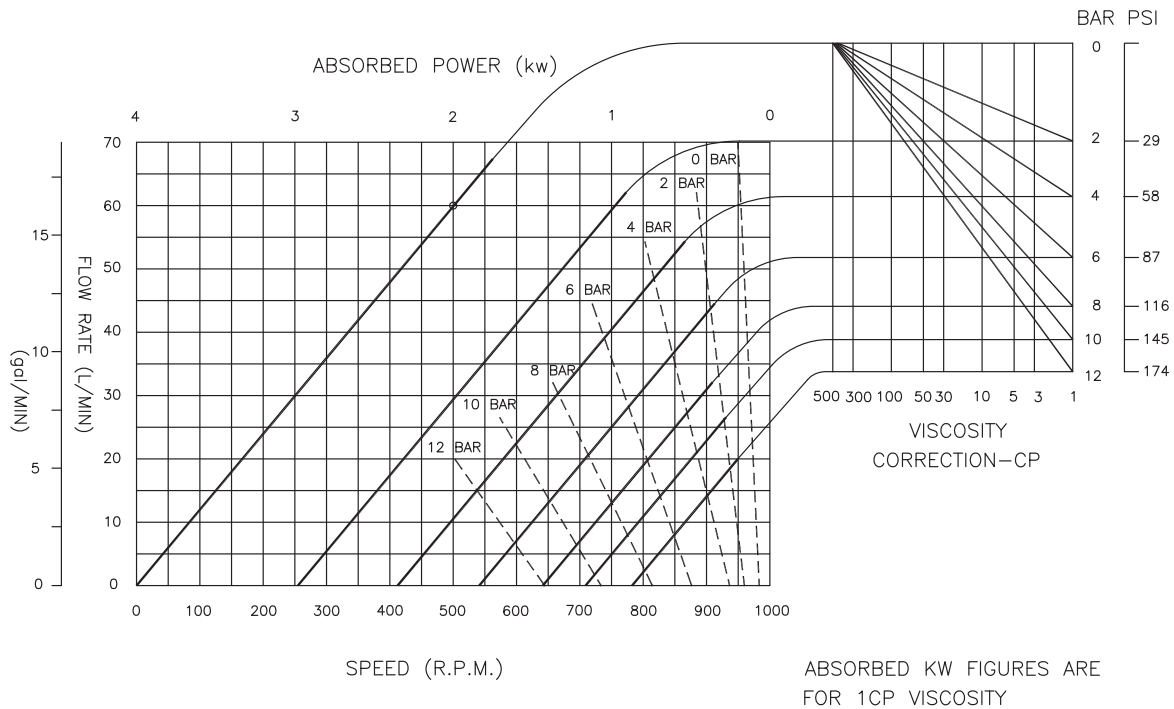
### RZL 115 Heli-Lobe Capacity



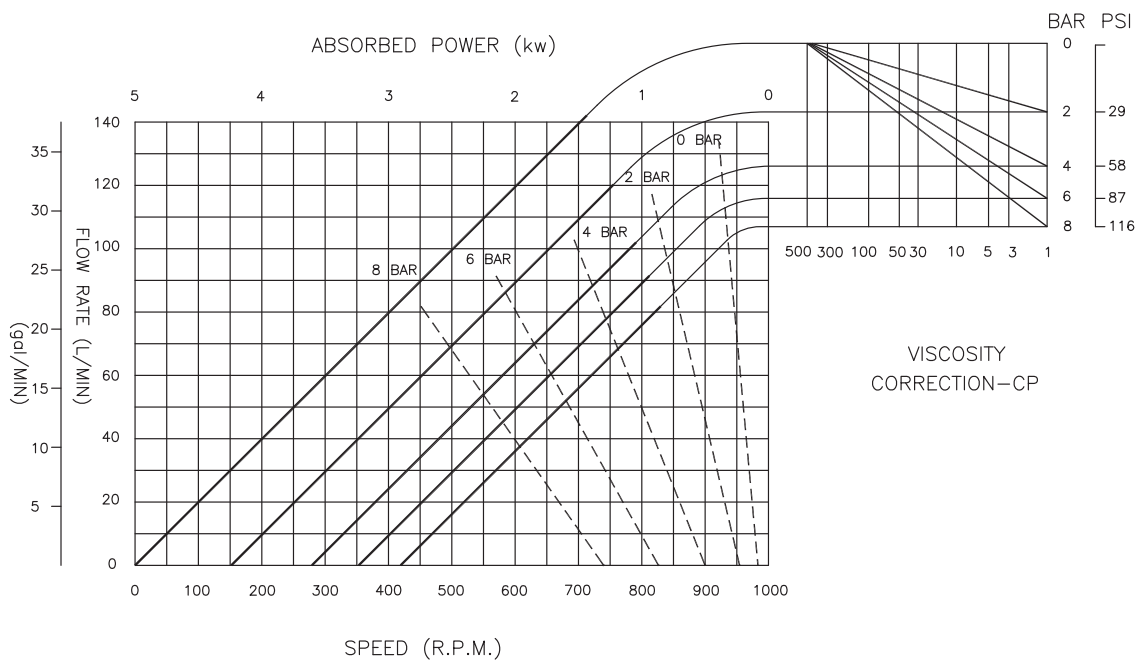
PC111

## RZL-Series Rotary Lobe Pump - 100 Series Pump Curves

### RZL 115 Tri-Lobe Capacity

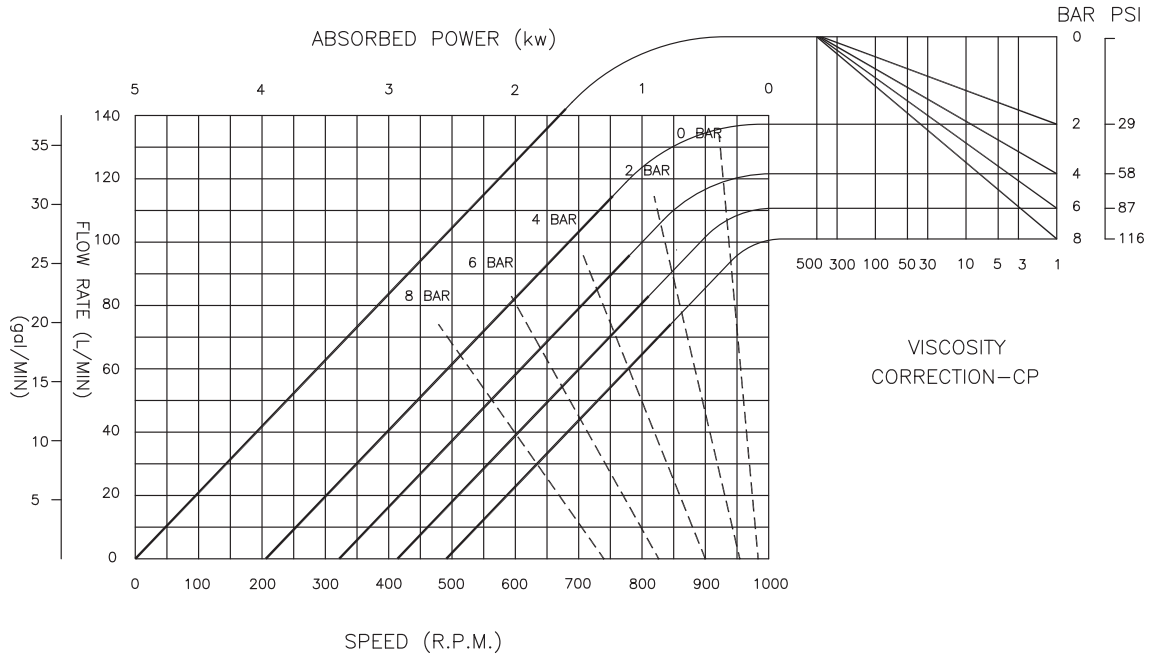


### RZL 120 Bi-Wing Capacity

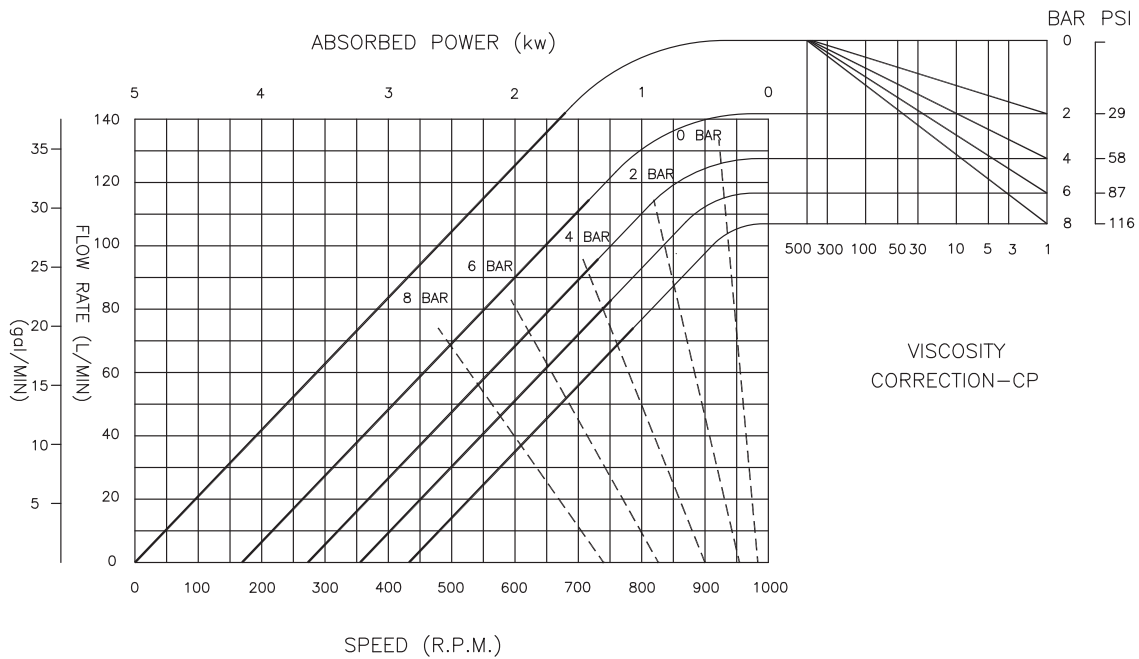


## RZL-Series Rotary Lobe Pump - 100 Series Pump Curves

### RZL 120 Heli-Lobe Capacity



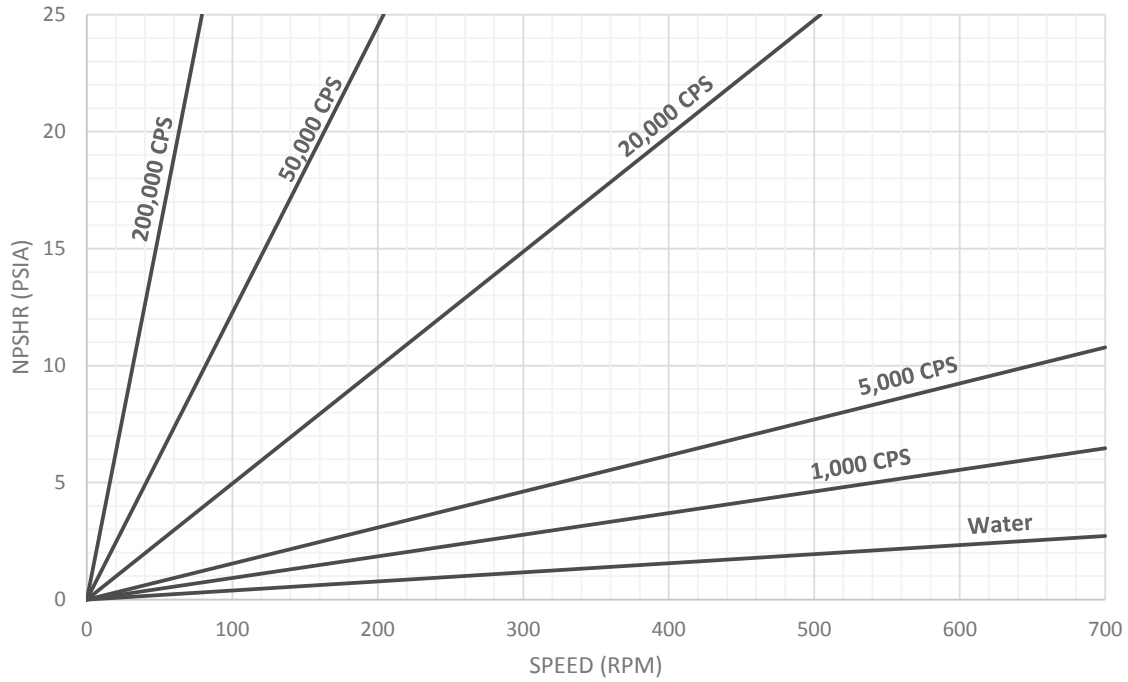
### RZL 120 Tri-Lobe Capacity



## RZL-Series Rotary Lobe Pump - 200 Series Pump Curves

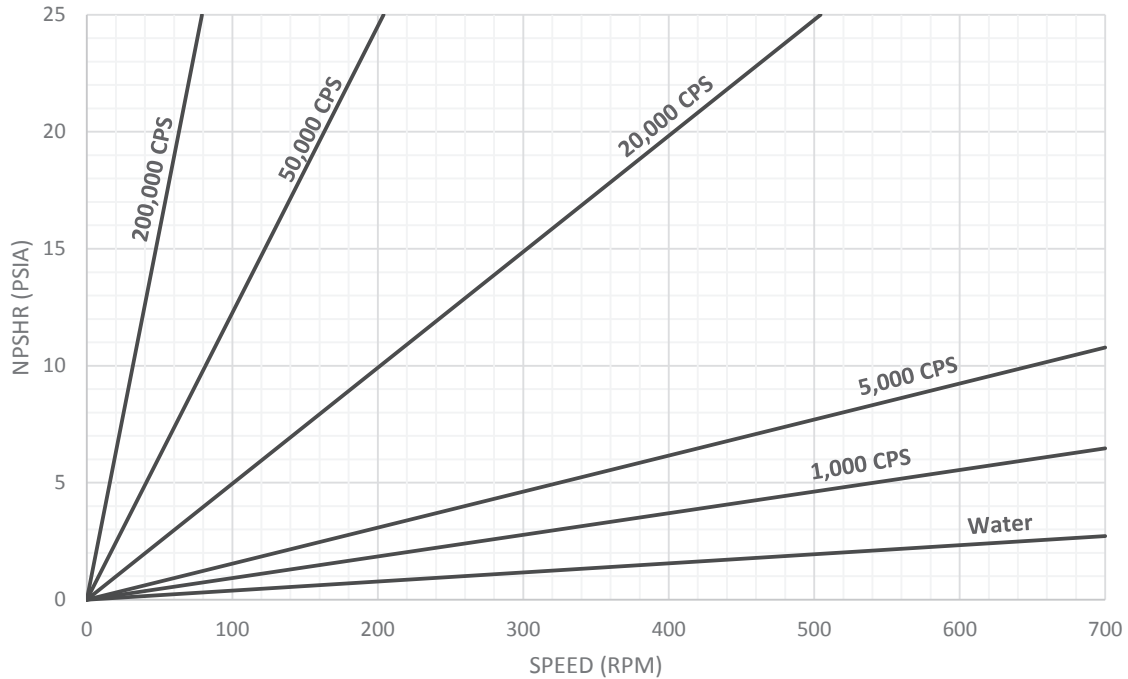
### RZL 220 NPSHR

Port size: 2" x 2"



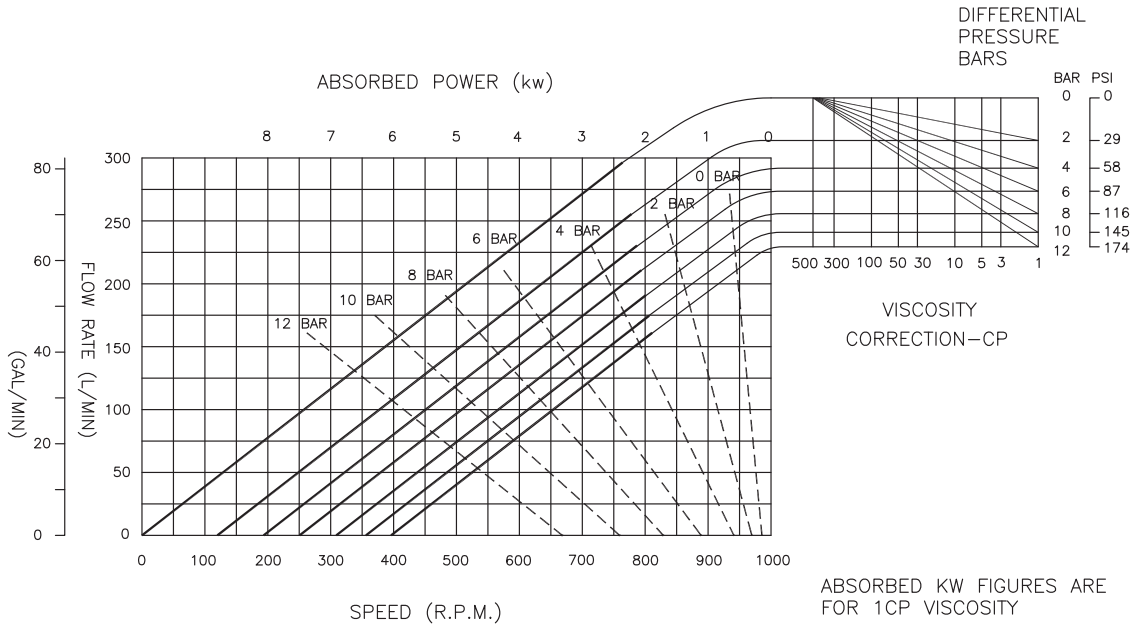
### RZL 225 NPSHR

Port size: 2-1/2" x 2-1/2"

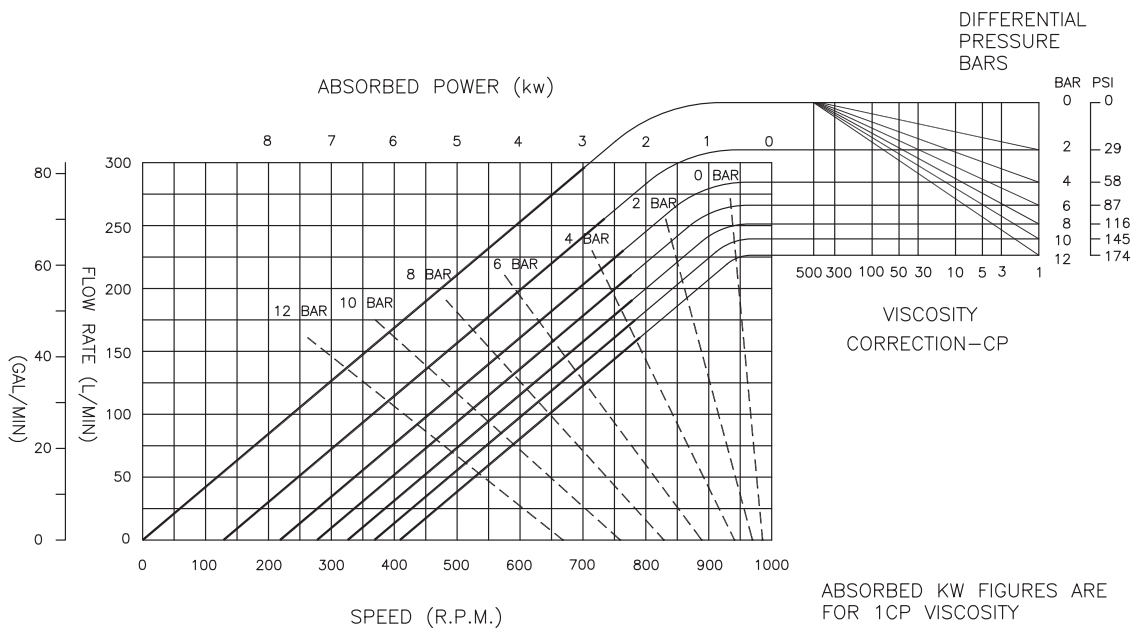


## RZL-Series Rotary Lobe Pump - 200 Series Pump Curves

### RZL 220 Bi-Wing Capacity

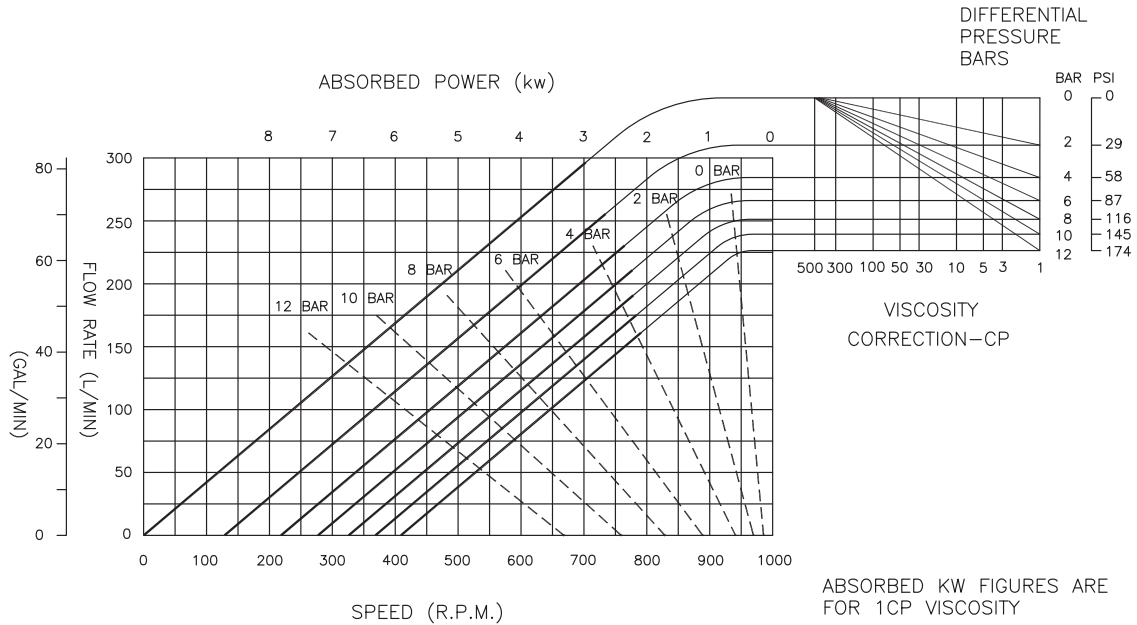


### RZL 220 Heli-Lobe Capacity

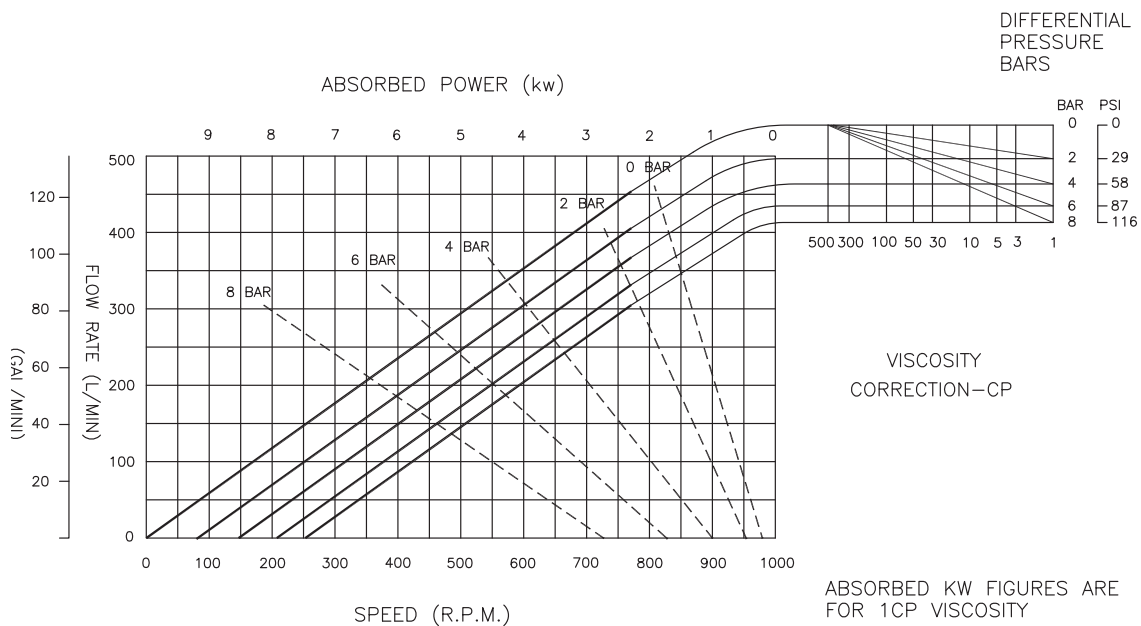


## RZL-Series Rotary Lobe Pump - 200 Series Pump Curves

### RZL 220 Tri-Lobe Capacity

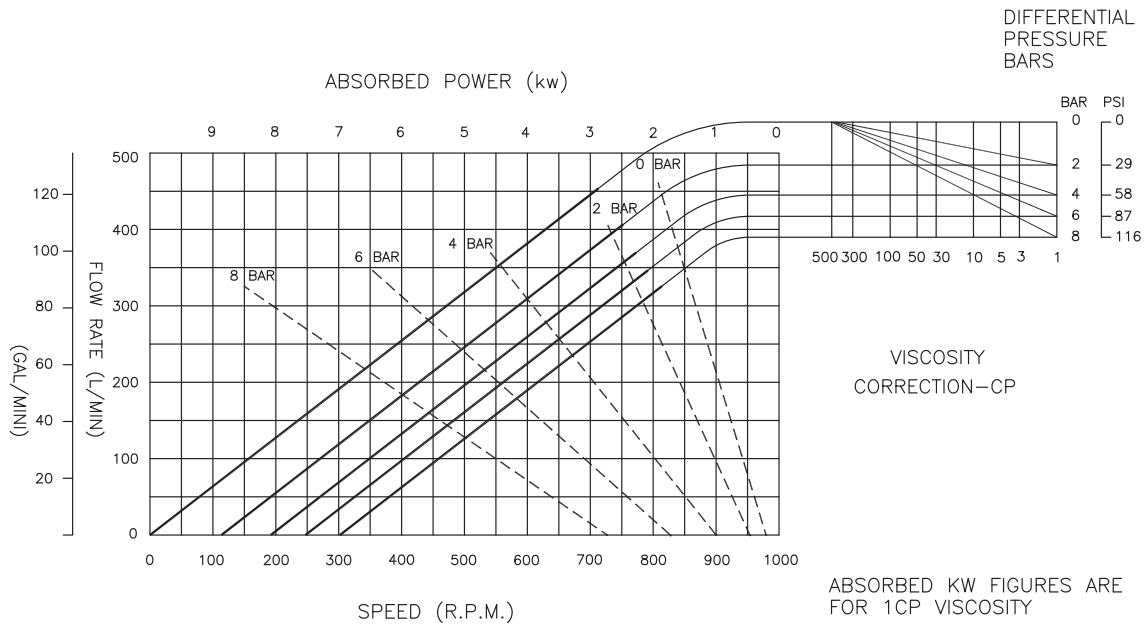


### RZL 225 Bi-Wing Capacity

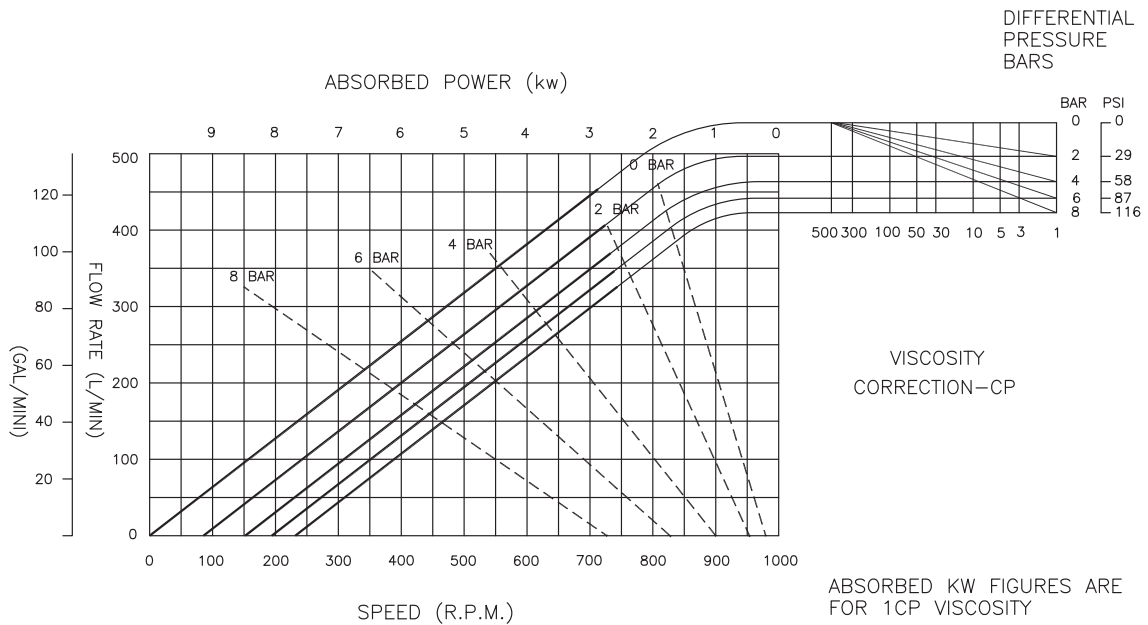


## RZL-Series Rotary Lobe Pump - 200 Series Pump Curves

### RZL 225 Heli-Lobe Capacity



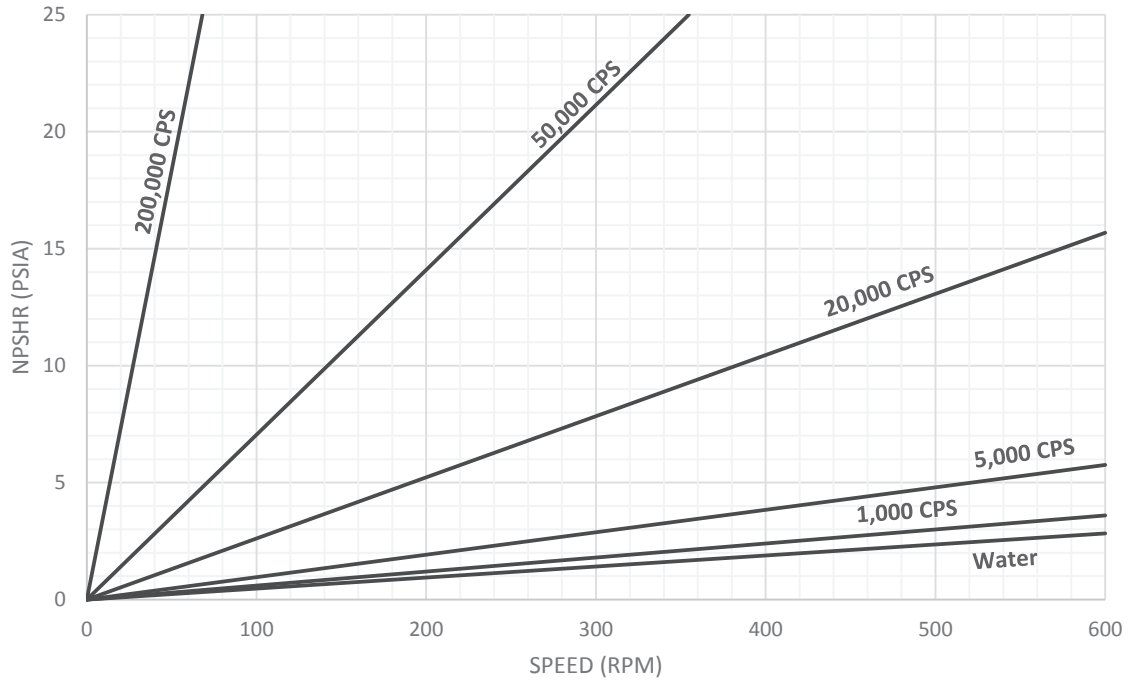
### RZL 225 Tri-Lobe Capacity



## RZL-Series Rotary Lobe Pump - 300 Series Pump Curves

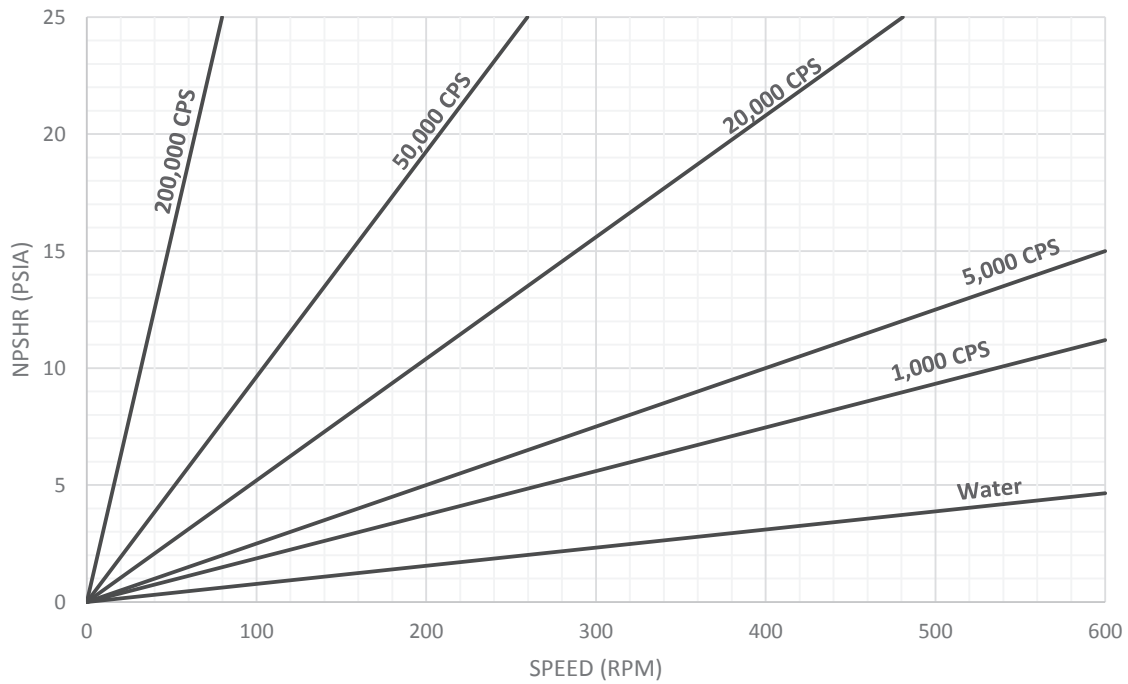
### RZL 330 NPSHR

Port size: 3" x 3"



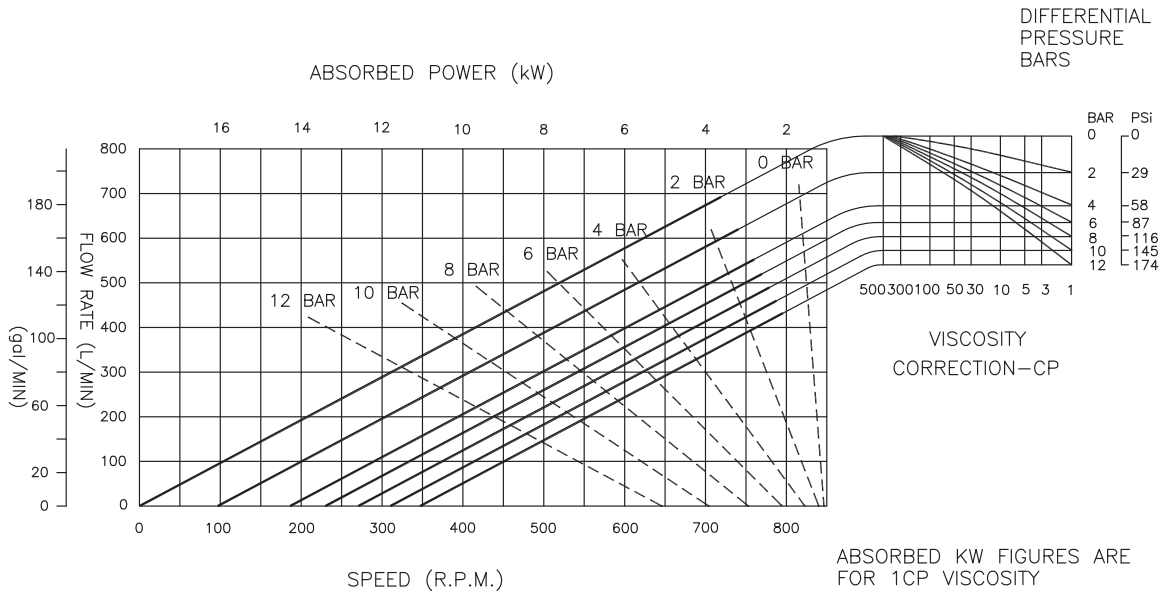
### RZL 340 NPSHR

Port size: 4" x 4"

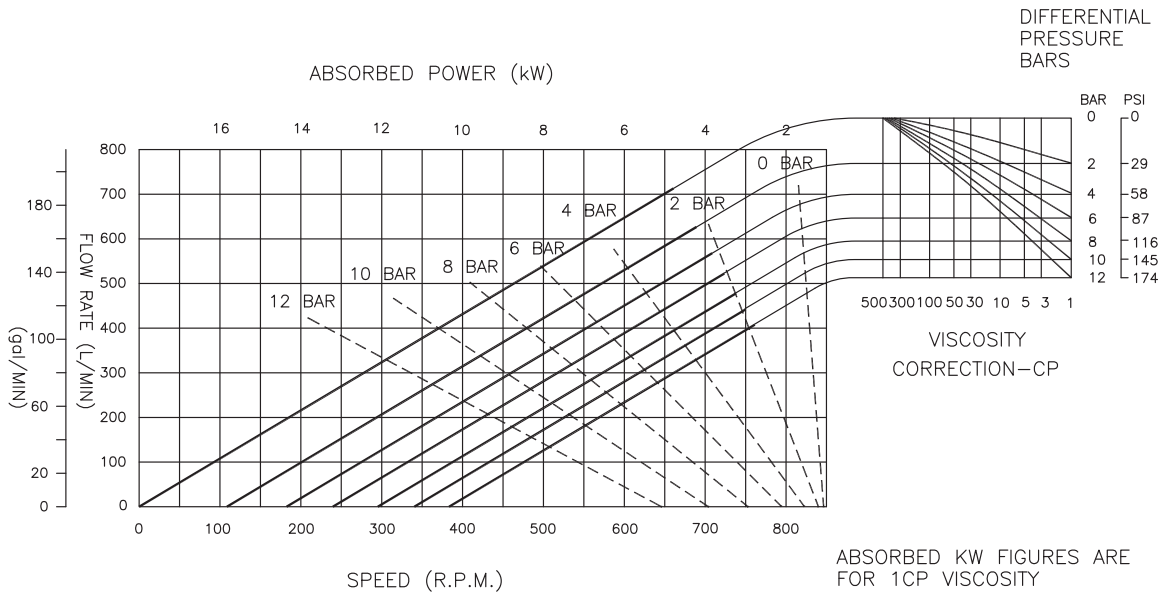


## RZL-Series Rotary Lobe Pump - 300 Series Pump Curves

### RZL 330 Bi-Wing Capacity

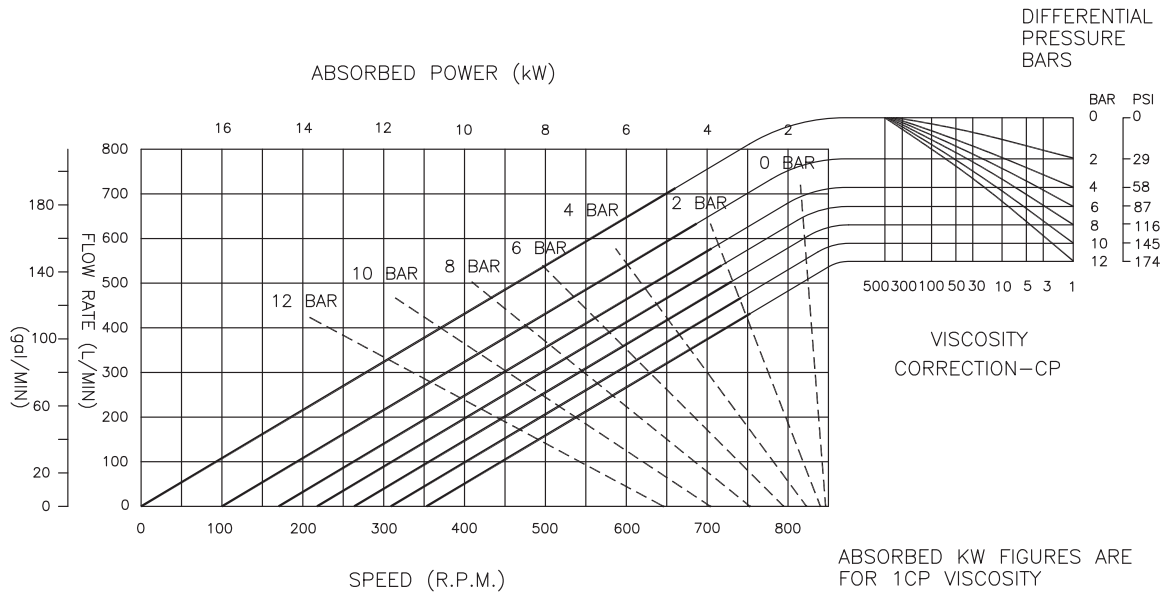


### RZL 330 Heli-Lobe Capacity

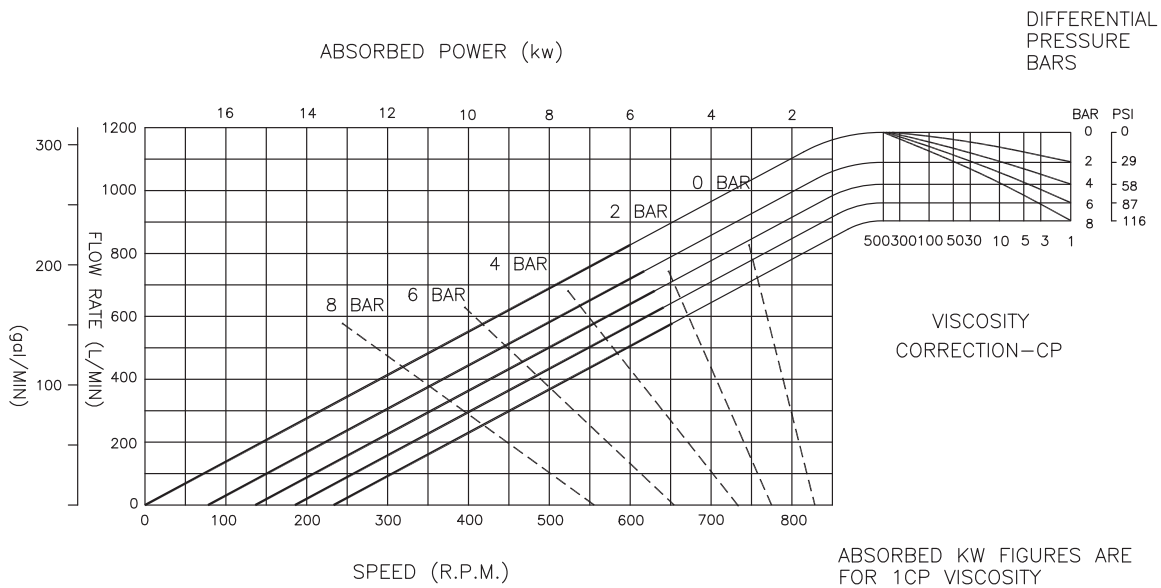


## RZL-Series Rotary Lobe Pump - 300 Series Pump Curves

### RZL 330 Tri-Lobe Capacity

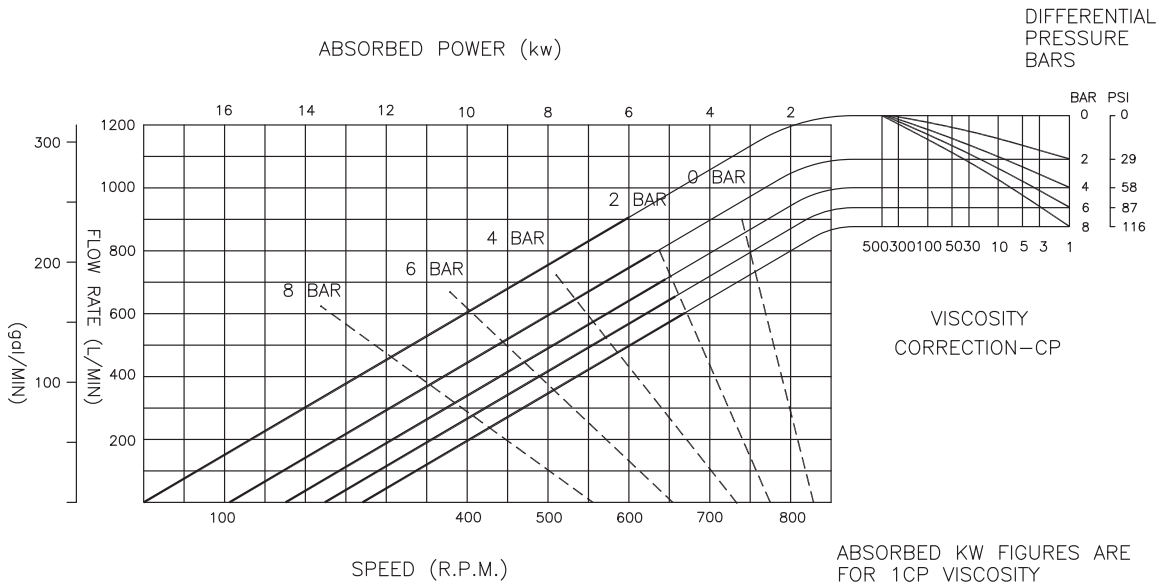


### RZL 340 Bi-Wing Capacity

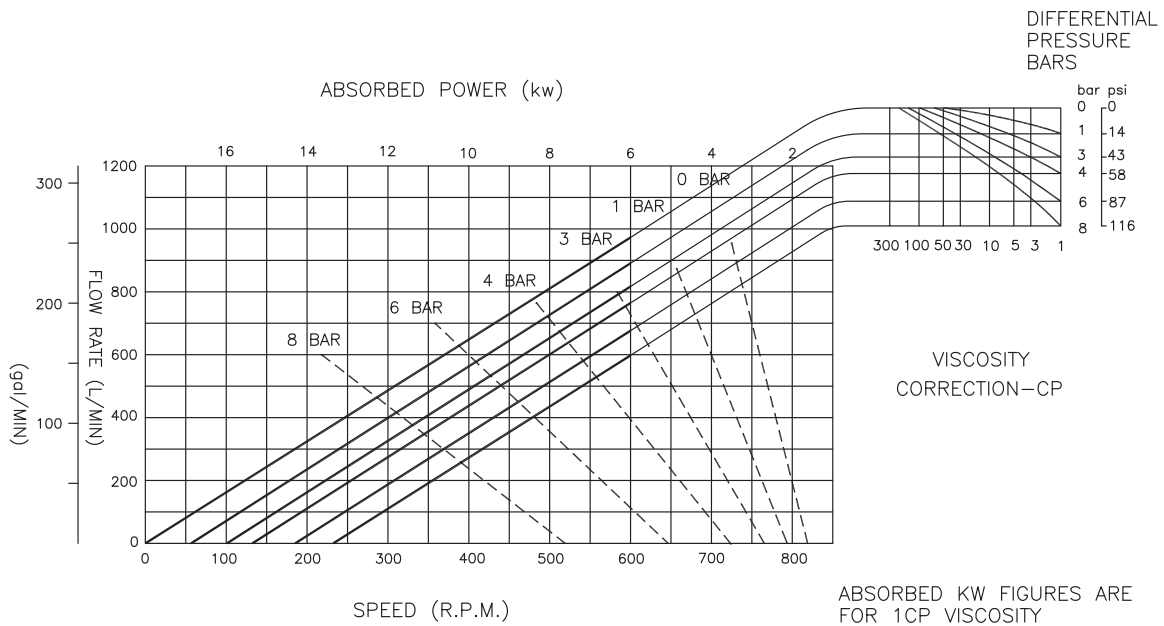


## RZL-Series Rotary Lobe Pump - 300 Series Pump Curves

### RZL 340 Heli-Lobe Capacity

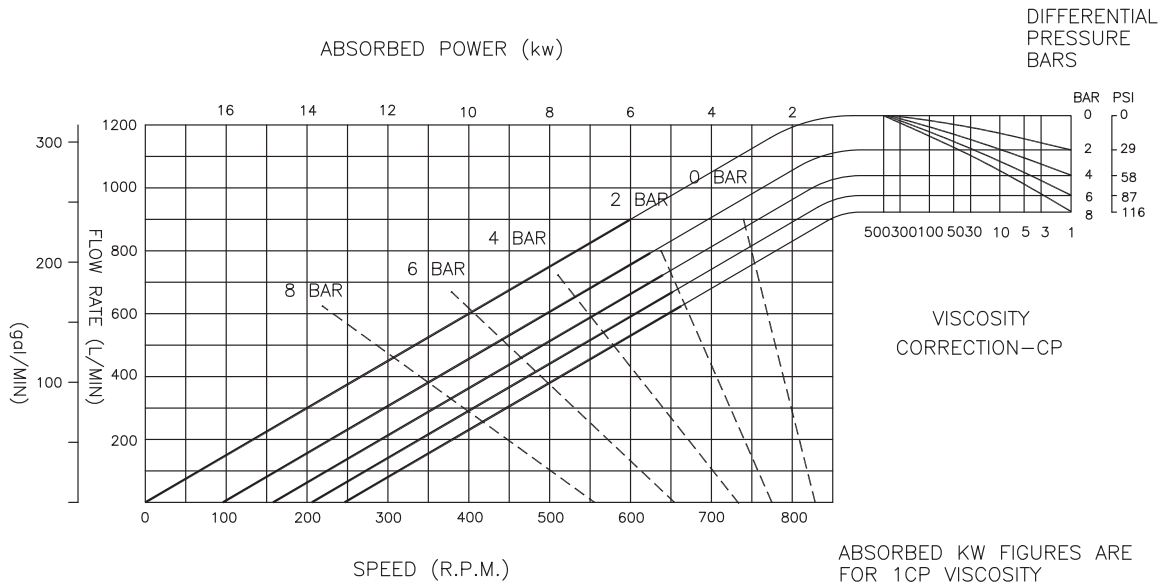


### RZL 340 Rubber Heli-Lobe Capacity



## RZL-Series Rotary Lobe Pump - 300 Series Pump Curves

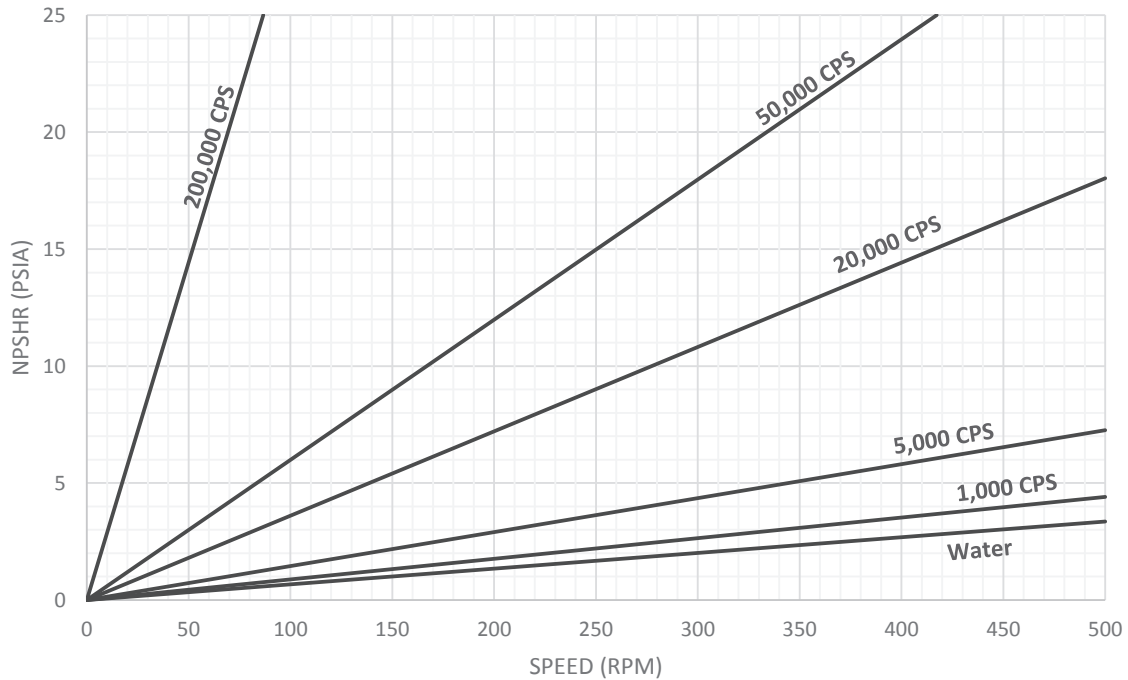
### RZL 340 Tri-Lobe Capacity



## RZL-Series Rotary Lobe Pump - 400 Series Pump Curves

### RZL 440 NPSHR

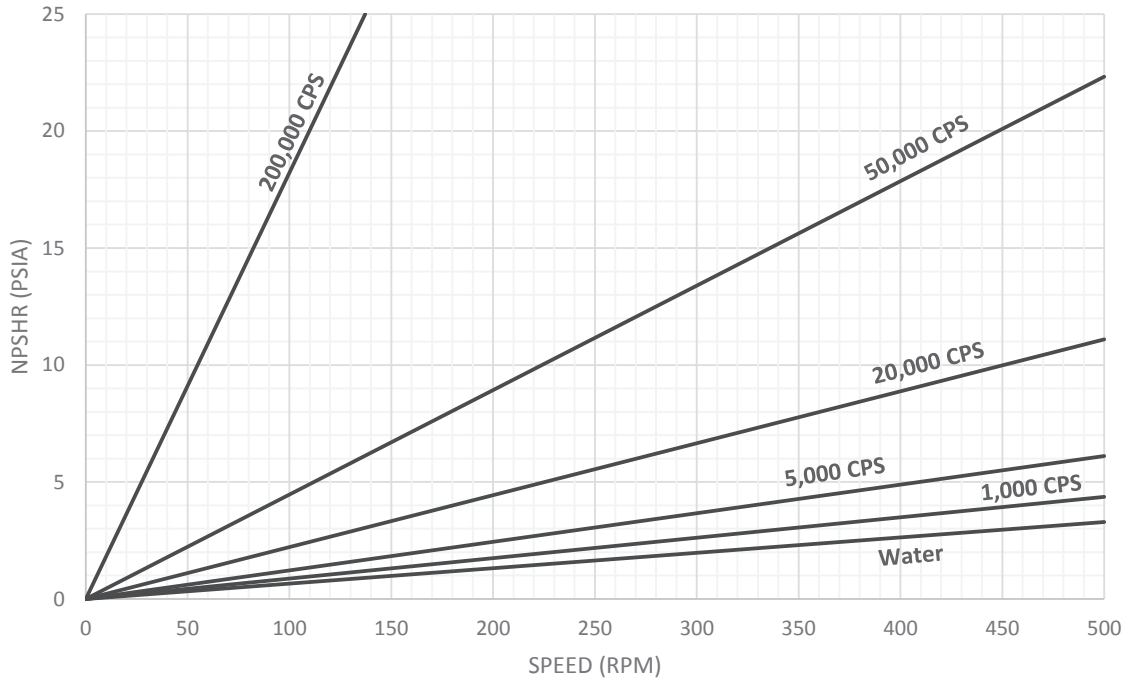
Port size: 4" x 4"



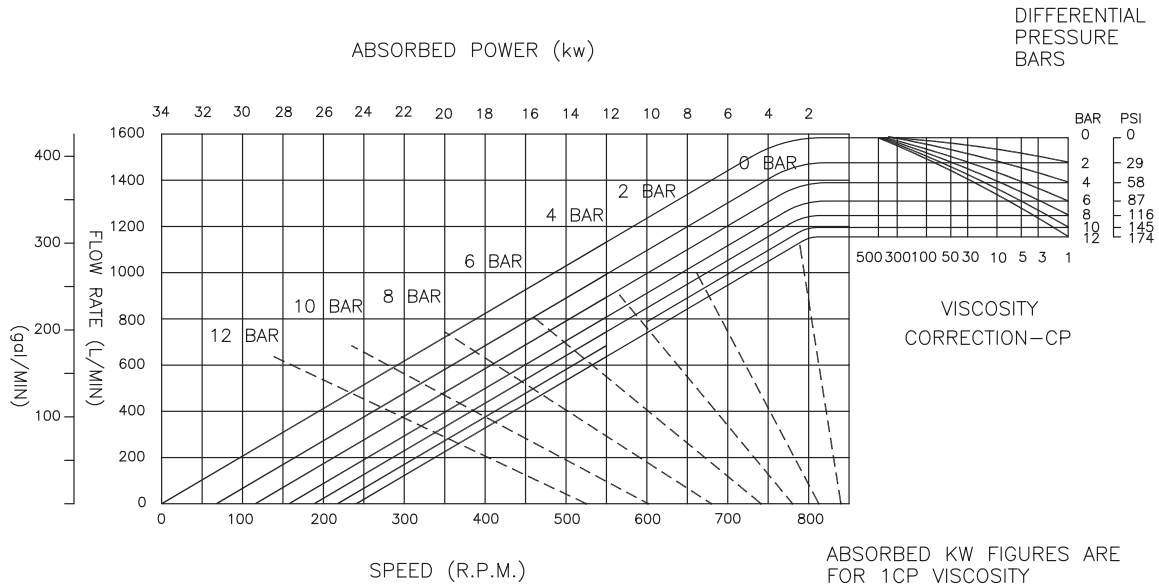
## RZL-Series Rotary Lobe Pump - 400 Series Pump Curves

### RZL 450 NPSHR

Port size: 5" x 5"

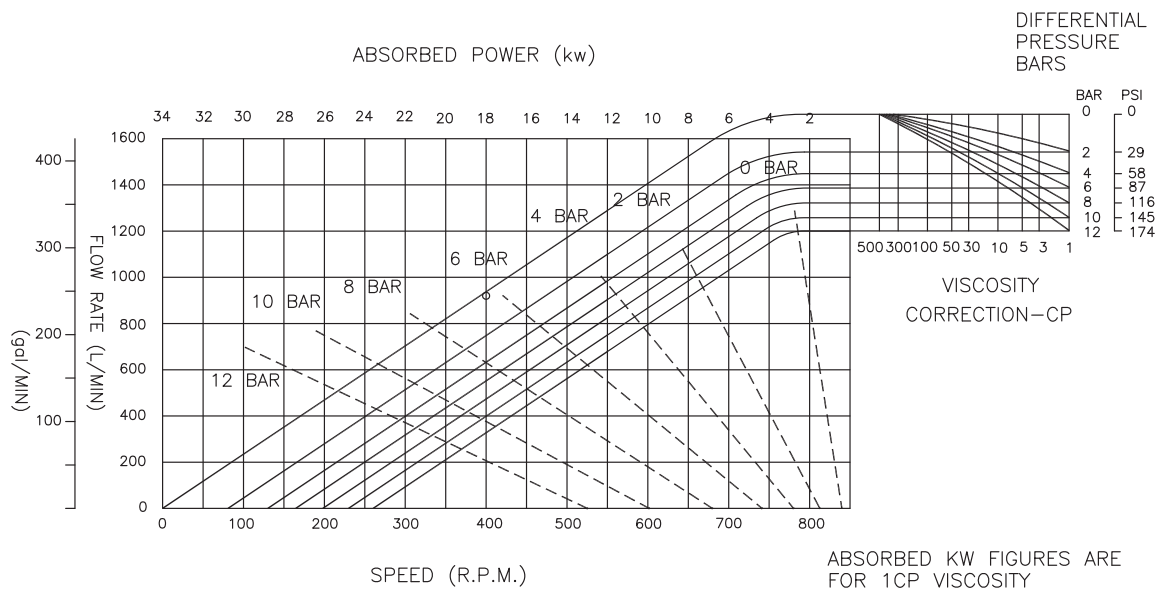


### RZL 440 Bi-Wing Capacity

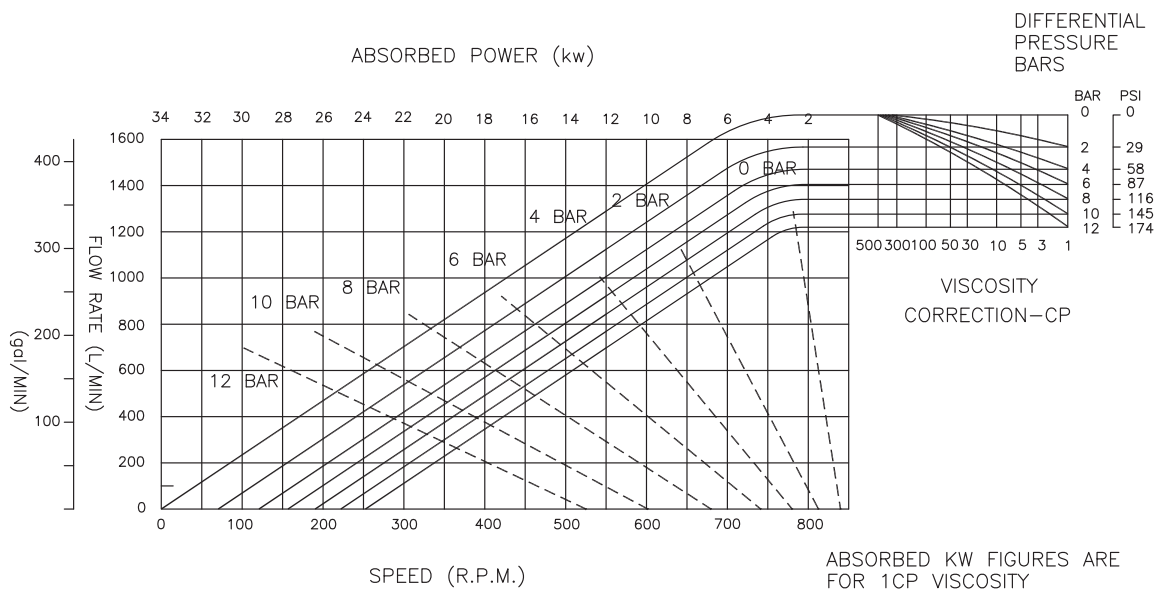


## RZL-Series Rotary Lobe Pump - 400 Series Pump Curves

### RZL 440 Heli-Lobe Capacity

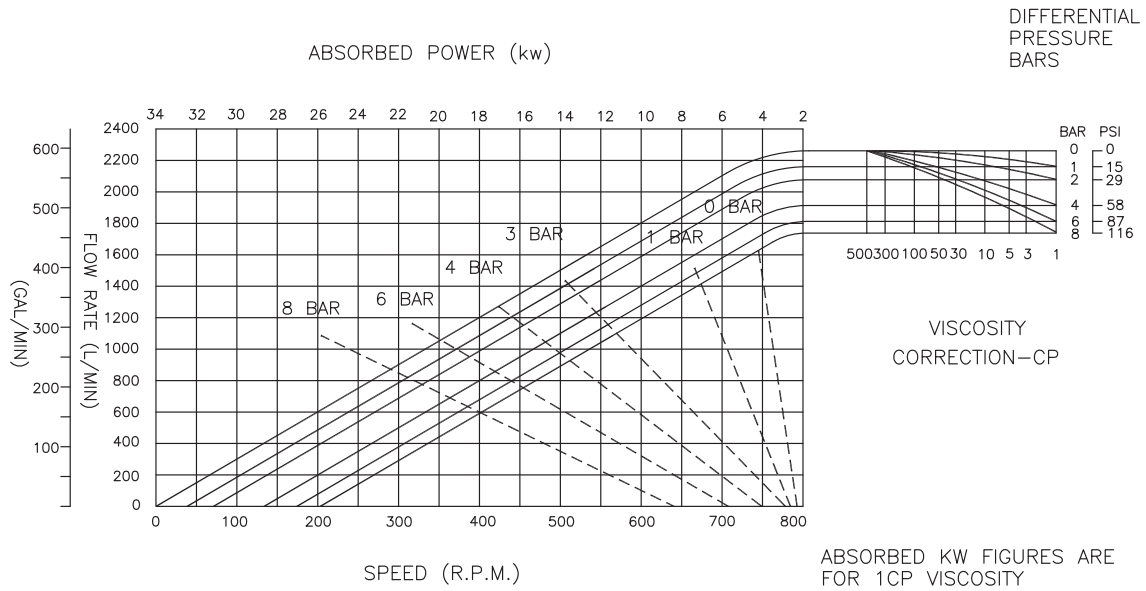


### RZL 440 Tri-Lobe Capacity

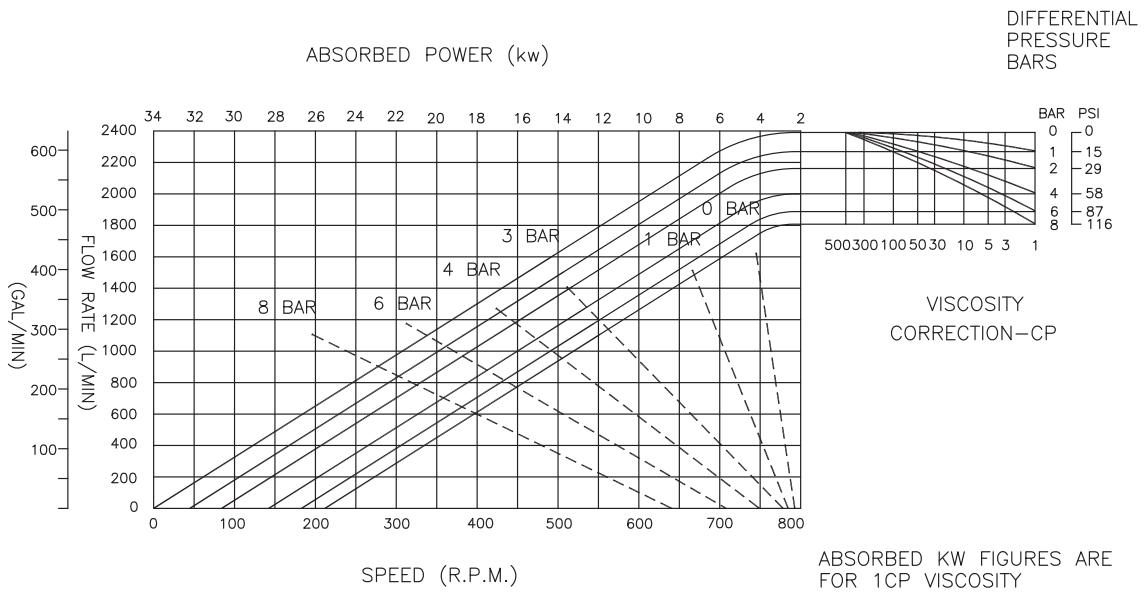


## RZL-Series Rotary Lobe Pump - 400 Series Pump Curves

### RZL 450 Bi-Wing Capacity

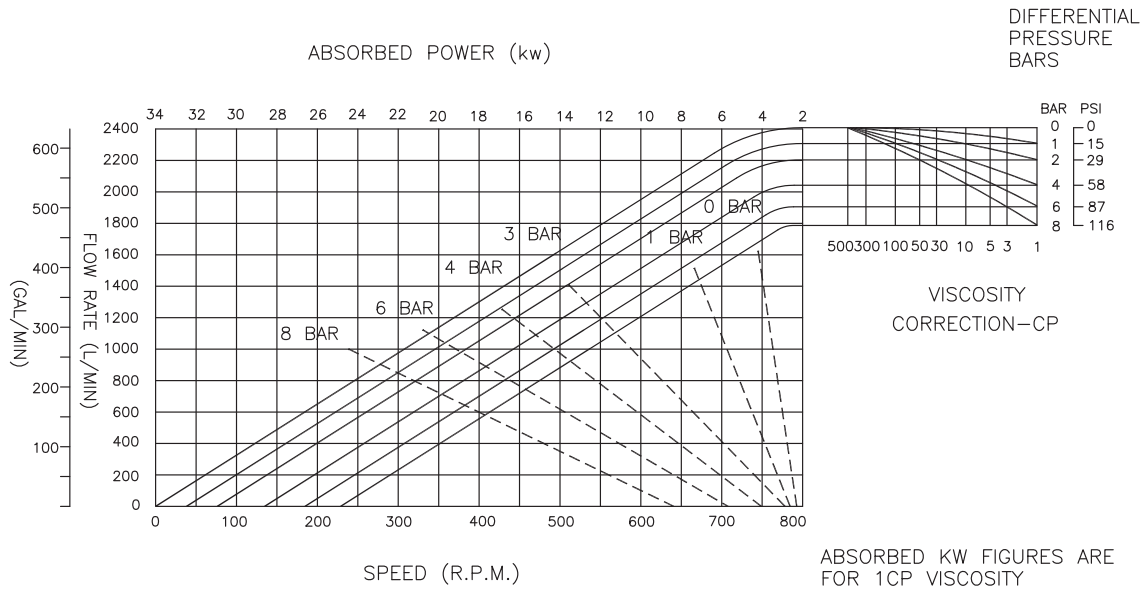


### RZL 450 Heli-Lobe Capacity



## RZL-Series Rotary Lobe Pump - 400 Series Pump Curves

### RZL 450 Tri-Lobe Capacity





## RZL-Series Rotary Lobe Pump - 100 Series Bill of Materials

### Gear Box Assembly (Basic)

Item #	Part #	Description	Material	Used	Qty
1	RZL-115B-GBSS	gear box	SUS304	RZL 100	1
2	RZL-115B-GBSSB	base, gear box	SUS304	RZL 100	1
3	RZL-115B-BWB	wrench bolt, base (M8x20L)	SUS304	RZL 100	4
4	RZL-115B-GBCSS	cover, gear box	SUS304	RZL 100	1
5	RZL-115B-PLD	plug, level, drain	-	RZL100/200	3
6	RZL-115B-GBWB	wrench bolt, gear box cover (M6x45L)	S45C	RZL 100	4
7	RZL-115B-DSLEY	key, shaft (8x7x34)	S45C	RZL 100	1
8	RZL-115-DSHAFT	shaft, drive	SUS304	RZL 105/110/115	1
	RZL-120-DSHAFT	shaft, drive	SUS304	RZL 120	1
9	RZL-115-ISHAFT	shaft, idle	SUS304	RZL 105/110/115	1
	RZL-120-ISHAFT	shaft, idle	SUS304	RZL 120	1
10	RZL-115B-GKEY	key, gear (8x7x21)	S45C	RZL 100	2
11	RZL-115B-OSCB	oil seal, cover (23x43x7t)	nitrile rubber	RZL 100	1
	RZL-115B-OSCV	oil seal, cover (23x43x7t)	FKM	RZL 100	1
12	RZL-115B-TGWASH	lock washer	S45C	RZL 100	2
12-1	RZL-115B-TGNUT	lock nut	S45C	RZL 100	2
13	RZL-115B-RVLV	breather, gear box	PE	RZL 100/200	1
14	RZL-115B-TGHELG	hellical gear	S45C	RZL 100	2
15	RZL-115B-GBDOW	dowel, gear box $\phi$ 6)	SUS304	RZL 100	2
16	RZL-115B-GSPAC	spacer, gear ( $\phi$ 35x5L)	S45C	RZL 100/200/300/400	2
17	RZL-115B-RBEAR	bearing, rear (#5205)	-	RZL 100/200/300/400	2
18	RZL-115B-BSPAC	spacer, bearing	S45C	RZL 100/200/300/400	2
19	RZL-115B-IBOLT	I-bolt / M8	SUS304	RZL 100/200/300/400	2
20	RZL-115B-FBEAR	bearing, front (#5206)	-	RZL 100/200/300/400	2
21	RZL-115B-OSGOV	O-ring, oil seal gland (AN035)	FKM	RZL 100/200/300/400	2
22	RZL-115B-OSGB	oil seal, gear box (38x55x9t)	nitrile rubber	RZL 100/200/300/400	2
	RZL-115B-OSGV	oil seal, gear box (38x55x9t)	FKM	RZL 100/200/300/400	2
23	RZL-115B-OSGWB	wrench bolt, oil seal gland (M6x12L)	SUS304	RZL 100	6
24	RZL-115B-OSGLD	gland, oil seal	SUS304	RZL 100	2
25	RZL-115B-DSPIN	pin, double seal	SUS304	RZL 100	2
26	RZL-115B-GCGP	gasket	paper	RZL 100	1
27	RZL-115B-PLUG	plug (M8)	PE	RZL 100	8
28	RZL-115B-VADAPT	vertical adapter	SUS304	RZL 100	4
29	RZL-115B-LFP	pad, leg feet	SS + rubber	RZL series	4
30	RZL-115B-ERT	rotor tool, extraction	SUS304	RZL series	1
31A*	RZL-115B-GUARD	safety guard (casing)	SUS304	RZL 100	2
31B*	RZL-115B-GB	guard wrench bolt M5x8	SUS304	RZL 100/200	4

\*Items are not pictured on the exploded view. For more information please contact Dixon Sanitary at 800.789.1718.

## RZL-Series Rotary Lobe Pump - 100 Series Bill of Materials

### Pump Assembly

Item #	Part #	Description	Material	Used	Qty
1A	RZL-115-GBASS	gear box assembly	SUS304	RZL 115/110/105	1
	RZL-120-GBASS	gear box assembly	SUS304	RZL 120	1
31	See page 65	rotor case	SUS316L	RZL 100	1
32	RZL-105-FCVR	front cover	SUS316L	RZL 105	1
	RZL-110-FCVR	front cover	SUS316L	RZL 110	1
	RZL-115B-RCVR	front cover	SUS316L	RZL 115/120	1
33	RZL-115B-CNUT	cap nut	SUS304	RZL 115/120	4
34	RZL-105-FCORB	O-ring, front cover (AN246)	nitrile rubber	RZL 105	1
	RZL-105-FCORE	O-ring, front cover (AN246)	EPDM		1
	RZL-105-FCORV	O-ring, front cover (AN246)	FKM		1
	RZL-110-FCORB	O-ring, front cover (AN248)	nitrile rubber	RZL 110	1
	RZL-110-FCORE	O-ring, front cover (AN248)	EPDM		1
	RZL-110-FCORV	O-ring, front cover (AN248)	FKM		1
	RZL-115B-FCORB	O-ring, front cover (AN251)	nitrile rubber	RZL 115/120	1
	RZL-115B-FCORE	O-ring, front cover (AN251)	EPDM		1
RZL-115B-FCORV	O-ring, front cover (AN251)	FKM	1		
35	RZL-115B-RBOLT	rotor bolt	SUS316L	RZL 100	2
36	RZL-115B-RBW	rotor bolt spring washer	SUS304		2
37	RZL-115B-RBORB	O-ring, rotor bolt (AN021)	nitrile rubber		2
	RZL-115B-RBORE	O-ring, rotor bolt (AN021)	EPDM	2	
	RZL-115B-RBORV	O-ring, rotor bolt (AN021)	FKM	2	
38	See page 71	rotor	SUS316L	RZL 100	2
39	RZL-115B-RTSLP	seal pin, rotor	SUS304		6
40	RZL-115B-CSSLP	seal pin, case	SUS304		4
41	RZL-115B-RCDOW	dowel, rotor case ( $\phi 6$ )	SUS304	RZL 100	2
44	RZL-105B-CSSB	stud bolt, case (M8)	SUS304	RZL 105/110	4
	RZL-115-CSSB	stud bolt, case (M8)	SUS304	RZL 115	4
	RZL-120-CSSB	stud bolt, case (M8)	SUS304	RZL 120	4
45	RZL-115B-SHIM05	shim, 0.05mm	SUS304	RZL 100	2
	RZL-115B-SHIM1	shim, 0.1mm	SUS304		2
46	RZL-115B-SBHYN	hex nut, stud bolt (M8)	SUS304		4
47	RZL-115B-FSNIP	nipple, flush (PT 1/8")	SUS304	RZL 100	2
51	RZL-115B-RTORB	O-ring, rotor (AN028)	nitrile rubber	RZL 100	2
	RZL-115B-RTORE	O-ring, rotor (AN028)	EPDM		2
	RZL-115B-RTORV	O-ring, rotor (AN028)	FKM		2
53	RZL-115B-RCORB	O-ring, rotor case (AN220)	nitrile rubber	RZL 100	2
	RZL-115B-RCORE	O-ring, rotor case (AN220)	EPDM		2
	RZL-115B-RCORV	O-ring, rotor case (AN220)	FKM		2

NOTE: Please contact Dixon Sanitary or a local distributor for purchased product (rotor case, front cover, gear box, stud bolt, and shim) before October, 2011.

## RZL-Series Rotary Lobe Pump - 100 Series Bill of Materials

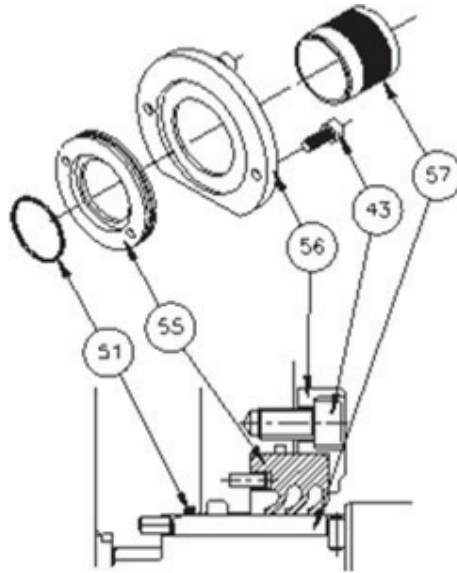
### Rotor Case/Rotor

Item #	Part #	Description	Material	Used	Qty	
31	RZL-105-RCCLMP	rotor case - 1" triclamp	SUS316L	RZL 105/110	1	
	RZL-105-RCFLNG	rotor case - 1" flange	SUS316L		1	
	RZL-115-RCCLMP	rotor case - 1-1/2" triclamp	SUS316L	RZL 115	1	
	RZL-115-RCFLNG	rotor case - 1-1/2" flange	SUS316L		1	
	RZL-120-RCCLMP	rotor case - 2" triclamp	SUS316L	RZL 120	1	
	RZL-120-RCFLNG	rotor case - 2" flange	SUS316L		1	
38	RZL-105-MLA	rotor set (2), multi-lobe	SUS316L	RZL 105	2	
	RZL-105-MLARV	rotor set (2), multi-lobe, relief valve	SUS316L	RZL 105	2	
	RZL-110-BWA	rotor set (2), bi-wing	SUS316L	RZL 110	2	
	RZL-110-BWARV	rotor set (2), bi-wing, relief valve	SUS316L		2	
	RZL-110-BWTIA	rotor set (2), bi-wing, PTFE inserted	SUS316L/PTFE		2	
	RZL-110-HWA	rotor set (2), bi-wing, high temp clearance	SUS316L		2	
	RZL-110-MLA	rotor set (2), multi-lobe	SUS316L		2	
	RZL-115-SWA	rotor set (2), single-wing	SUS316L		RZL 115	2
	RZL-115-BWA	rotor set (2), bi-wing	SUS316L	2		
	RZL-115-BWTIA	rotor set (2), bi-wing PTFE inserted	SUS316L/PTFE	2		
	RZL-115-HWA	rotor set (2), bi-wing, high temp clearance	SUS316L	2		
	RZL-115-BLA	rotor set (2), bi-lobe	SUS316L	2		
	RZL-115-3LA	rotor set (2), tri-lobe	SUS316L	2		
	RZL-115-H3LA	rotor (2), tri-lobe, high temp clearance	SUS316L	2		
	RZL-115-HELIA	rotor set (2), heli-lobe	SUS316L	2		
	RZL-115-MLA	rotor set (2), multi-lobe	SUS316L	2		
	RZL-120-SWA	rotor set (2), single-wing	SUS316L	RZL 120		2
	RZL-120-BWA	rotor set (2), bi-wing	SUS316L			2
	RZL-120-BWTIA	rotor set (2), bi-wing PTFE inserted	SUS316L/PTFE			2
	RZL-120-HWA	rotor set (2), bi-wing, high temp clearance	SUS316L		2	
	RZL-120-BLA	rotor set (2), bi-lobe	SUS316L		2	
	RZL-120-3LA	rotor set (2), tri-lobe	SUS316L		2	
	RZL-120-H3LA	rotor set (2), tri-lobe, high temp clearance	SUS316L		2	
	RZL-120-HELIA	rotor set (2), heli-lobe	SUS316L		2	
RZL-120-MLA	rotor set (2), multi-lobe	SUS316L	2			
	RZL-120-RHELIA	rotor set (2), heli-lobe	EPDM		2	

NOTE: All standard rotor cases do not have tap holes for flushing on jacketed options.

## RZL-Series Rotary Lobe Pump - 100 Series Bill of Materials

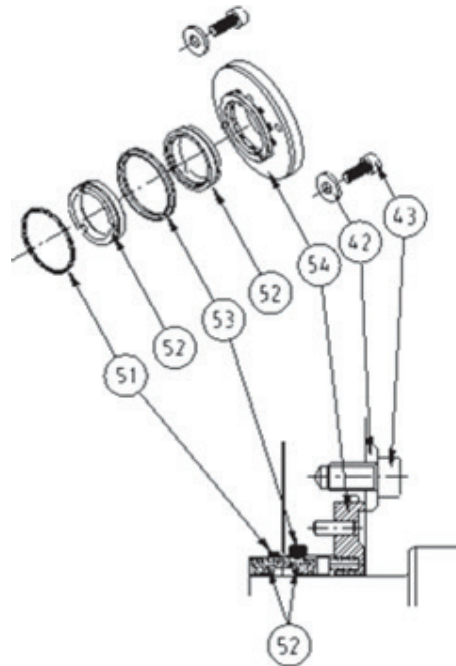
### Triple Lip Seal



Item #	Part #	Description	Material	Used	Qty
43	RZL-115B-MSGWB	wrench bolt, M/seal gland (M6x10L)	SUS304	RZL 100	4
51	RZL-115B-RTORB	O-ring, rotor (AN028)	nitrile rubber		2
	RZL-115B-RTORE	O-ring, rotor (AN028)	EPDM		2
	RZL-115B-RTORV	O-ring, rotor (AN028)	FKM		2
56	RZL-115B-LSC	lip seal cover	SUS304		2
55	RZL-115B-TRPLSC	triple lip seal, product	PTFE + copper		2
	RZL-115B-TRPLS	triple lip seal, product	PTFE + glass		2
57	RZL-115B-CERCS	ceramic coated sleeve, product	ceramic/SUS304		2

## RZL-Series Rotary Lobe Pump - 100 Series Bill of Materials

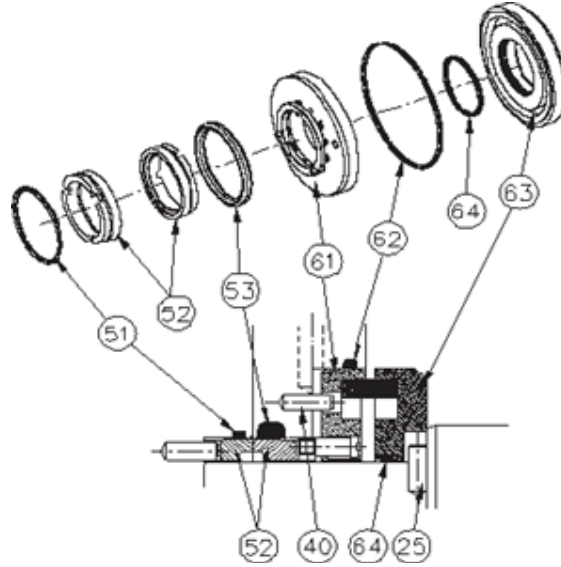
### Single Mechanical Seal



Item #	Part #	Description	Material	Used	Qty
42	RZL-115B-MSGFW	flat washer, M/Seal gland (φ6)	SUS304	RZL 100	4
43	RZL-115B-MSGWB	wrench bolt, M/seal gland (M6x10L)	SUS304		4
51	RZL-115B-RTORB	O-ring, rotor (AN028)	nitrile rubber		2
	RZL-115B-RTORE	O-ring, rotor (AN028)	EPDM		2
	RZL-115B-RTORV	O-ring, rotor (AN028)	FKM		2
52	RZL-115B-TCSEAL	seal ring	TC		4
53	RZL-115B-RCORB	O-ring, rotor case (AN220)	nitrile rubber		2
	RZL-115B-RCORE	O-ring, rotor case (AN220)	EPDM		2
	RZL-115B-RCORV	O-ring, rotor case (AN220)	FKM		2
54	RZL-115B-CSSB	single seal body, case	SUS304		2

## RZL-Series Rotary Lobe Pump - 100 Series Bill of Materials

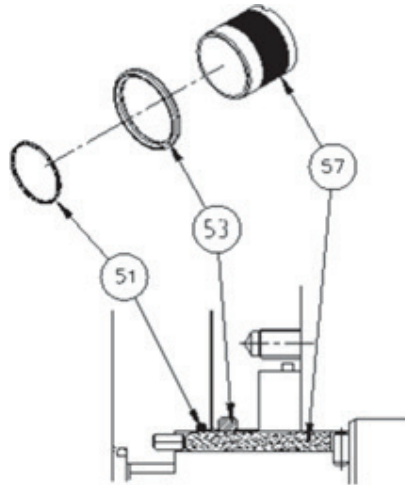
### Double Mechanical Seal



Item #	Part #	Description	Material	Used	Qty
51	RZL-115B-RTORB	O-ring, rotor (AN028)	nitrile rubber	RZL 100	2
	RZL-115B-RTORE	O-ring, rotor (AN028)	EPDM		2
	RZL-115B-RTORV	O-ring, rotor (AN028)	FKM		2
52	RZL-115B-TCSEAL	seal ring	TC		4
53	RZL-115B-RCORB	O-ring, rotor case (AN220)	nitrile rubber		2
	RZL-115B-RCORE	O-ring, rotor case (AN220)	EPDM		2
	RZL-115B-RCORV	O-ring, rotor case (AN220)	FKM		2
61	RZL-115B-CDSBTC	double seal body, case	TC/SUS304		2
	RZL-115B-CDHPTC	double seal body, case, high pressure	TC/SUS304		2
62	RZL-115B-CORDSB	O-ring, case, double seal (AN036)	nitrile rubber		2
	RZL-115B-CORDSE	O-ring, case, double seal (AN036)	EPDM		2
	RZL-115B-CORDSV	O-ring, case, double seal (AN036)	FKM		2
63	RZL-115B-SDSBC	rotation part, double seal, shaft	carbon/SUS304		2
64	RZL-115B-SORDSB	O-ring, shaft, double seal (AN023)	nitrile rubber		2
	RZL-115B-SORDSE	O-ring, shaft, double seal (AN023)	EPDM	2	
	RZL-115B-SORDSV	O-ring, shaft, double seal (AN023)	FKM	2	

## RZL-Series Rotary Lobe Pump - 100 Series Bill of Materials

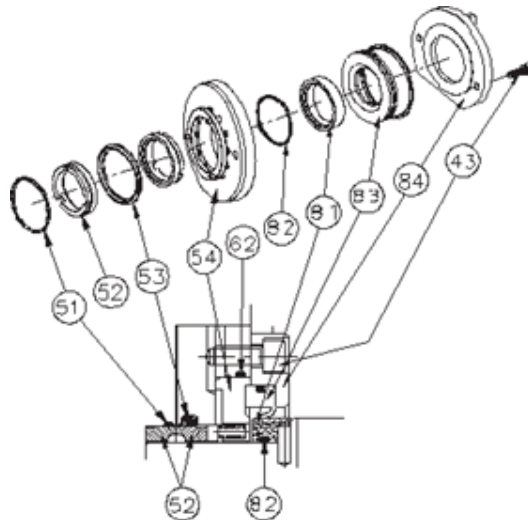
### Single O-ring Seal



Item #	Part #	Description	Material	Used	Qty
42	RZL-115B-MSGFW	flat washer, seal gland (φ6)	SUS304	RZL 100	4
43	RZL-115B-MSGWB	wrench bolt, gland (M6x10L)	SUS304		4
51	RZL-115B-RTORB	O-ring, rotor (AN028)	nitrile rubber		2
	RZL-115B-RTORE	O-ring, rotor (AN028)	EPDM		2
	RZL-115B-RTORV	O-ring, rotor (AN028)	FKM		2
53	RZL-115B-RCORB	O-ring, rotor case (AN220)	nitrile rubber		2
	RZL-115B-RCORE	O-ring, rotor case (AN220)	EPDM		2
	RZL-115B-RCORV	O-ring, rotor case (AN220)	FKM		2
57	RZL-115B-CERCS	ceramic coated sleeve product	ceramic/ss		2

## RZL-Series Rotary Lobe Pump - 100 Series Bill of Materials

### Single Mechanical Seal with Flush

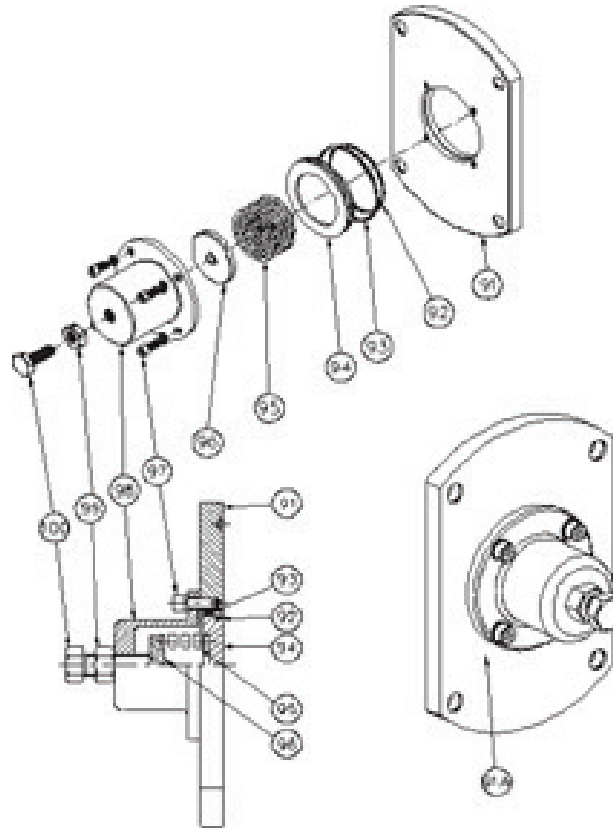


Item #	Part #	Description	Material	Used	Qty
43	RZL-115B-MSGWB	wrench bolt, lip seal gland (M6x10L)	SUS304	RZL 100	4
	RZL-115B-RTORB	O-ring, rotor (AN028)	nitrile rubber		2
51	RZL-115B-RTORE	O-ring, rotor (AN028)	EPDM		2
	RZL-115B-RTORV	O-ring, rotor (AN028)	FKM		2
52	RZL-115B-TCSEAL	mechanical seal ring	TC		4
	RZL-115B-RCORB	O-ring, rotor case (AN220)	nitrile rubber		2
53	RZL-115B-RCORE	O-ring, rotor case (AN220)	EPDM		2
	RZL-115B-RCORV	O-ring, rotor case (AN220)	FKM		2
54	RZL-115B-CSSB	single seal body, case	SUS304		2
	RZL-CORDSB	O-ring, flushed seal case (AN036)	nitrile rubber		2
62	RZL-115B-CORDSE	O-ring, flushed seal case (AN036)	EPDM		2
	RZL-115B-CORDSV	O-ring, flushed seal case (AN036)	FKM		2
81	RZL-115B-CERFL	ceramic sleeve, flushing	ceramic		2
	RZL-115B-ORFLB	O-ring, ceramic sleeve, flushing (AN023)	nitrile rubber		2
82	RZL-115B-ORFLE	O-ring, ceramic sleeve, flushing (AN023)	EPDM		2
	RZL-115B-ORFLV	O-ring, ceramic sleeve, flushing (AN023)	FKM		2
83	RZL-115B-LSFLT	lip seal, flushing	PTFE		2
84	RZL-115B-SLPFLG	gland, lip seal, flushing	SUS304		2

NOTE: Requires tapped casing.

## RZL-Series Rotary Lobe Pump - 100 Series Bill of Materials

### Pressure Relief Front Cover

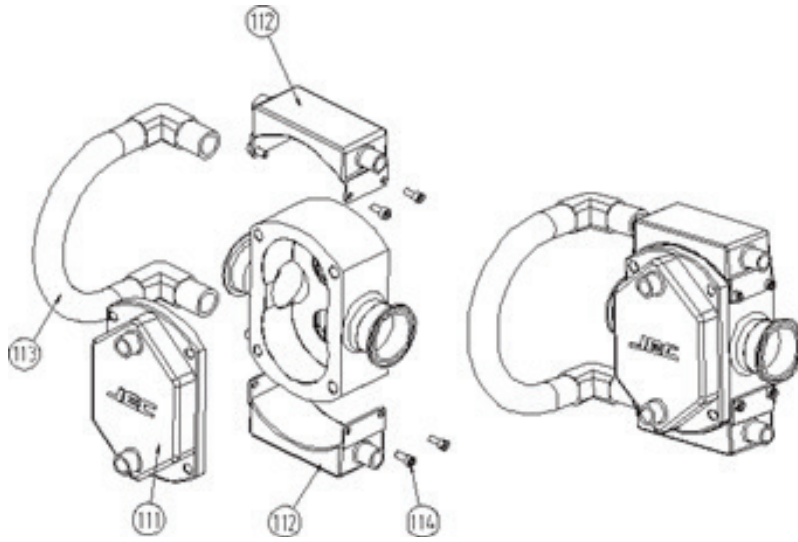


Item #	Part #	Description	Material	Used	Qty
91	RZL-105-RVFC	front cover, relief valve	SUS316L	RZL 105	1
	RZL-110-RVFC	front cover, relief valve	SUS316L	RZL 100	1
	RZL-115B-RVFC	front cover, relief valve	SUS316L	RZL 115/120	1
91A	RZL-105-C	pressure relief front cover assembly	SUS316L	RZL 105	1
	RZL-110-C	pressure relief front cover assembly	SUS316L	RZL 110	1
	RZL-115B-C	pressure relief cover assembly	SUS316L	RZL 115/120	1
92	RZL-115B-OR1B	O-ring, 1 stage, plate (AN138)	nitrile rubber	RZL 100	1
	RZL-115B-OR1E	O-ring, 1 stage, plate (AN138)	EPDM		1
	RZL-115B-OR1V	O-ring, 1 stage, plate (AN138)	FKM		1
93	RZL-115B-OR2B	O-ring, 2 stage, plate (AN135)	nitrile rubber		1
	RZL-115B-OR2E	O-ring, 2 stage, plate (AN135)	EPDM		1
	RZL-115B-OR2V	O-ring, 2 stage, plate (AN135)	FKM		1
94	RZL-115B-VP	plate, valve	SUS316L		1
95	RZL-115B-RVSP	spring	SS41 + Cr		1
96	RZL-115B-SPGP	plate, spring	SUS304		1
97	RZL-115B-RVWB	wrench bolt (M6x20) with washer	SUS304		4
98	RZL-115B-RVC	cover, relief valve	SUS304	1	
99	RZL-115B-RVLN	lock nut (M12)	SUS304	1	
100	RZL-115B-RVAB	adjusting bolt (M12x60)	SUS304	1	

NOTE: Must supply setting pressure.

**RZL-Series Rotary Lobe Pump - 100 Series Bill of Materials**

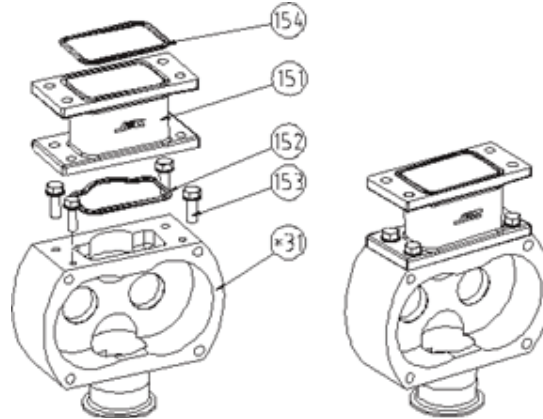
**Jacket Front Cover and Case**



Item #	Part #	Description	Material	Used	Qty
111	RZL-105B-FCJ	jacket, front cover	SUS316L	RZL 105/110	1
	RZL-115B-FCJ	jacket, front cover	SUS316L	RZL 115/120	1
112	RZL-110B-CTJ	jacket, case top	SUS304	RZL 110/115	1
	RZL-110B-CBJ	jacket, case bottom	SUS304		1
	RZL-120-CTJ	jacket, case top	SUS304	RZL 120	1
	RZL-120-CBJ	jacket, case bottom	SUS304		1
113	RZL-115B-JT	tube, jacket	SUS304	RZL 100	1
114	RZL-115B-JWB	wrench bolt, jacket (M8x20)	SUS304	RZL 100	2

## RZL-Series Rotary Lobe Pump - 100 Series Bill of Materials

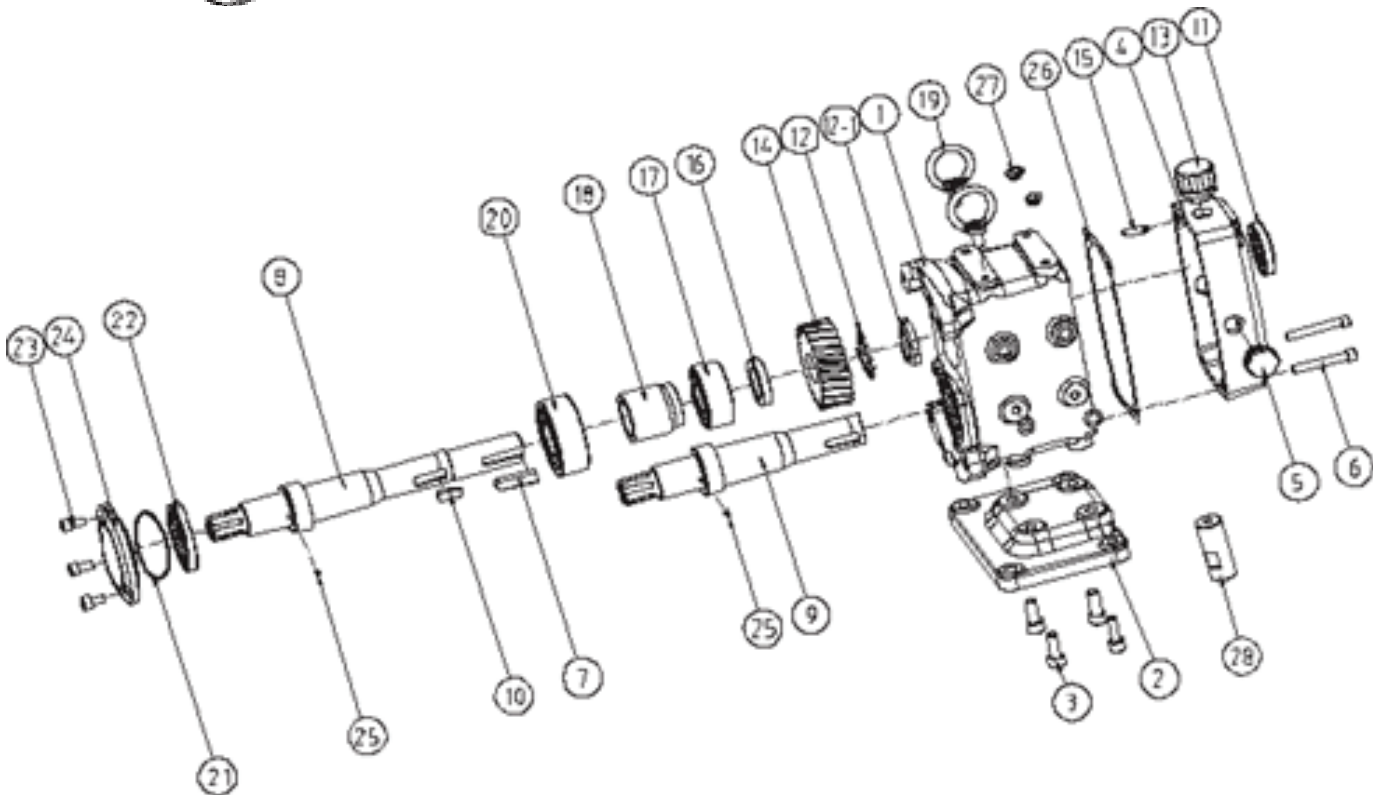
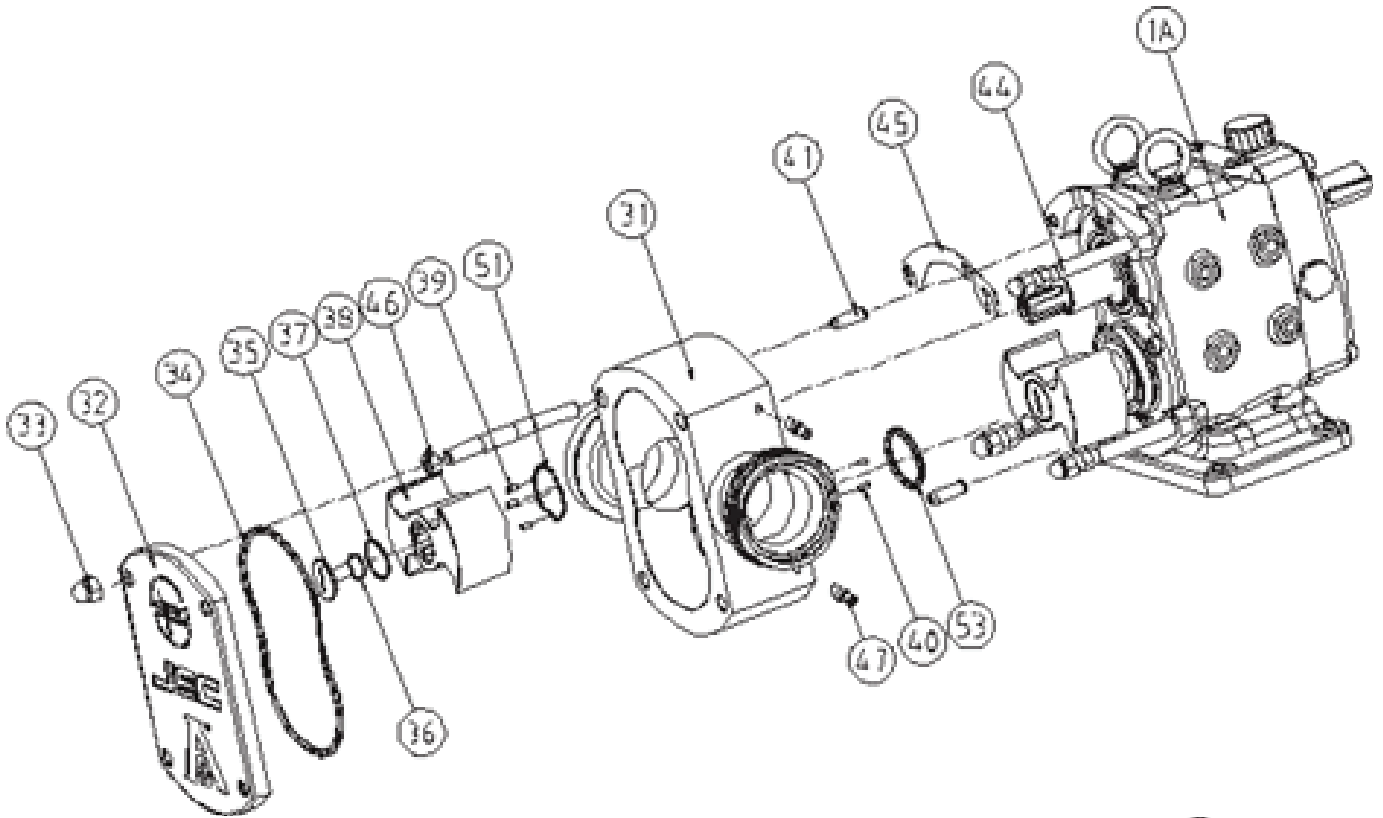
Rectangular Inlet



Item #	Part #	Description	Material	Used	Qty
151	RZL-120-RCRIA	adapter, rectangular inlet	SUS304	RZL 120	1
152	RZL-120RIORB	O-ring, rectangular inlet (AN233)	nitrile rubber		1
	RZL-120-RIOR	O-ring, rectangular inlet (AN233)	EPDM		1
	RZL-120-RIORV	O-ring, rectangular inlet (AN233)	FKM		1
153	RZL-120-RIHBSW	hex bolt and S/W (M8x25)	SUS304		4
154	RZL-120-ROORB	O-ring, rectangular adapter (AN234)	nitrile rubber		1
	RZL-120-ROOR	O-ring, rectangular adapter (AN234)	EPDM		1
	RZL-120-ROORV	O-ring, rectangular adapter (AN234)	FKM		1
31	RZL-120-RCRI2C	rotor case - RECT / 2" triclamp	SUS316L		1
	RZL-120-RFLG	rotor case - RECT / 2" flange	SUS316L		1

### RZL-Series Rotary Lobe Pump - 200 Series Bill of Materials

Basic Assembly (Single M/Seal)



## RZL-Series Rotary Lobe Pump - 200 Series Bill of Materials

### Gear Box Assembly (Basic)

Item #	Part #	Description	Material	Used	Qty	
1	RZL-220B-GBSS	gear box	SUS304	RZL200	1	
2	RZL-220B-GBSSB	base, gear box	SUS304	RZL200	1	
3	RZL-220B-BWB	wrench bolt, base (M10x25L)	SUS304	-	4	
4	RZL-220B-GBCSS	cover, gear box	SUS304	RZL200	1	
	RZL-220BCFI	cover, gear box, flange integrated	FCD40	-	1	
5	RZL-115B-PLD	plug, level, drain	-	RZL100/RZL200	3	
6	RZL-220B-GBWB	wrench bolt, gear box cover (M8x65L)	SUS304	-	4	
7	RZL-220B-DSKEY	key, shaft (10x8x53)	S45C	-	1	
8	RZL-220-DSHAFT	shaft, drive	SUS304	RZL220	1	
	RZL-225-DSHAFT	shaft, drive	SUS304	RZL225	1	
9	RZL-220-ISHAFT	shaft, idle	SUS304	RZL220	1	
	RZL-225-ISHAFT	shaft, idle	SUS304	RZL225	1	
10	RZL-220B-GKEY	key, gear (10x8x27)	S45C	RZL200	2	
11	RZL-220B-OSCB	oil seal, cover (32x52x8t)	nitrile rubber		1	
	RZL-220B-OSCV	oil seal, cover (32x52x8t)	FKM		1	
12	RZL-220B-TGWASH	lock washer	S45C		2	
12-1	RZL-220B-TGNUT	lock nut	S45C		2	
13	RZL-220B-RVLV	breather, gear box	PE		RZL100/RZL200	1
14	RZL-220B-TGHELG	helical gear	S45C	RZL200	1	
15	RZL-220B-GBDOW	dowel, gear box (φ10)	SUS304		2	
16	RZL-220B-GSPAC	spacer, gear (φ35x6L)	S45C		2	
17	RZL-220B-RBEAR	bearing, rear (#5207)	S45C		2	
18	RZL-220B-BSPAC	spacer, bearing	S45C		2	
19	RZL-220B-IBOLT	I-bolt/M10	SUS304		2	
20	RZL-220B-FBEAR	bearing, front (#5208)	S45C		2	
21	RZL-220B-OSGOV	O-ring, oil seal gland (AN041)	FKM		2	
22	RZL-220B-OSGB	oil seal, gear box (48x70x12t)	nitrile rubber		2	
	RZL-220B-OSGV	oil seal, gear box (48x70x12t)	FKM		2	
23	RZL-220B-OSGWB	wrench bolt, oil seal gland (M8x15L)	SUS304		RZL200	6
24	RZL-220B-OSGLD	gland, oil seal	SUS304			2
25	RZL-220B-DSPIN	pin, double seal	SUS304	2		
26	RZL-220B-GCGP	gasket	paper	1		
27	RZL-220B-PLUG	plug (M10)	PE	8		
28	RZL-220B-VADPT	vertical adapter	SUS304	RZL200		4
29	RZL-115B-LFP	pad, leg feet	SS + rubber	RZL series	4	
30	RZL-115B-ERT	rotor tool, extraction	SUS304	RZL series	1	
31A*	RZL-220B-GUARD	safety guard (casing)	SUS304	RZL 200	2	
31B*	RZL-115B-GB	guard wrench bolt M5x8	SUS304	RZL100/200	4	

\*Items are not pictured on the exploded view. For more information please contact Dixon Sanitary at 800.789.1718.

## RZL-Series Rotary Lobe Pump - 200 Series Bill of Materials

### Pump Assembly

Item #	Part #	Description	Material	Used	Qty
1A	RZL-220-GBASS	gear box assembly	SUS304	RZL220	1
1A	RZL-225-GBASS	gear box assembly	SUS304	RZL225	1
31	see page 65**	rotor case	SUS316L	RZL200	1
32	RZL-220B-FCVFR	front cover	SUS316L	RZL200	1
33	RZL-220B-CNUT	cap nut (M12)	SUS304	RZL200	4
34	RZL-220B-FCORB	O-ring for front cover (AN261)	nitrile rubber	RZL200	1
	RZL-220B-FCORE	O-ring for front cover (AN261)	EPDM		1
	RZL-220B-FCORV	O-ring for front cover (AN261)	FKM		1
36	RZL-220B-RBW	rotor bolt spring washer	SUS304		2
37	RZL-220B-RBORB	O-ring, rotor bolt (AN125)	nitrile rubber		2
	RZL-220B-RBORE	O-ring, rotor bolt (AN125)	EPDM		2
38	see page 57	rotor	SUS316L	RZL200	2
39	RZL-220B-RTSLP	seal pin, rotor	SUS304	RZL200	6
40	RZL-220B-CSSLP	seal pin, case	SUS304		4
41	RZL-220B-RCDOW	dowel, rotor case (φ8)	SUS304		2
44	RZL-220-CSSB	stud bolt, case (M10)	SUS304	RZL220	4
	RZL-225-CSSB	stud bolt, case (M10)	SUS304	RZL225	4
45	RZL-220B-SHIM05	shim (0.05mm)	SUS304	RZL200	2
	RZL-220B-SHIM1	shim (0.1mm)	SUS304	RZL200	2
46	RZL-220B-SBHYN	hex nut, stud bolt (M10)	SUS304	RZL200	4
47	RZL-220B-FSNIP	nipple, flush (PT 1/8")	SUS304	RZL200	2
51	RZL-220B-RTORB	O-ring, rotor (AN031)	nitrile rubber		2
	RZL-220B-RTORE	O-ring, rotor (AN031)	EPDM		2
	RZL-220B-RTORV	O-ring, rotor (AN031)	FKM		2
53	RZL-220B-RTORB	O-ring, rotor case (AN225)	nitrile rubber	RZL200	2
	RZL-220B-RCORE	O-ring, rotor case (AN225)	EPDM		2
	RZL-220B-RCORV	O-ring, rotor case (AN225)	FKM		2

NOTE: Please contact Dixon Sanitary or local distributor for purchased product (rotor case, front cover, gear box, stud bolt, and shim) before October, 2011.

## RZL-Series Rotary Lobe Pump - 200 Series Bill of Materials

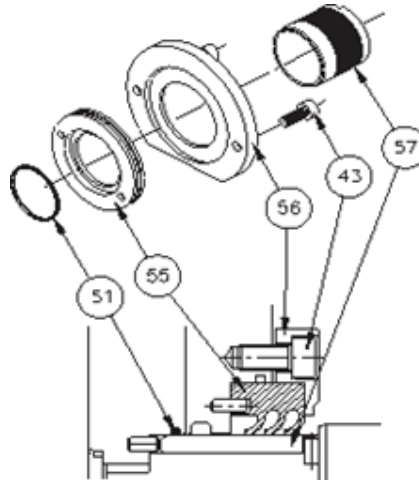
### Rotor Case/Rotor

Item #	Part #	Description	Material	Used	Qty
31	RZL-220-RCCLMP	rotor case - 2" clamp	SUS316L	RZL220	1
	RZL-220-RCFLNG	rotor case - 2" flange	SUS316L		1
	RZL-225-RCCLMP	rotor case - 2-1/2" clamp	SUS316L	RZL225	1
	RZL-225-RCFLNG	rotor case - 2-1/2" flange	SUS316L		1
38	RZL-220-SWA	rotor set (2), single-wing	SUS316L	RZL220	2
	RZL-220-BWA	rotor set (2), bi-wing	SUS316L		2
	RZL-220-BWTIA	rotor set (2), bi-wing, PTFE inserted	SUS316L/PTFE		2
	RZL-220-HWA	rotor set (2), bi-wing, high temp clearance	SUS316L		2
	RZL-220-BLA	rotor set (2), bi-lobe	SUS316L		2
	RZL-220-3LA	rotor set (2), tri-lobe	SUS316L		2
	RZL-220-H3LA	rotor set (2), tri-lobe, high temp clearance	SUS316L		2
	RZL-220-HELIA	rotor set (2), heli-lobe	SUS316L		2
	RZL-225-SWA	rotor set (2), single-wing	SUS316L	RZL225	2
	RZL-225-BWA	rotor set (2), bi-wing	SUS316L		2
	RZL-225-BWTIA	rotor set (2), bi-wing, PTFE inserted	SUS316L/PTFE		2
	RZL-225-HWA	rotor set (2), bi-wing, high temp clearance	SUS316L		2
	RZL-225-BLA	rotor set (2), bi-lobe	SUS316L		2
	RZL-225-3LA	rotor set (2), tri-lobe	SUS316L		2
	RZL-225-H3LA	rotor set (2), tri-lobe, high temp clearance	SUS316L		2
RZL-225-HELIA	rotor set (2), heli-lobe	SUS316L	2		
RZL-225-RHELIA	rotor set (2), heli-lobe	EPDM	2		

NOTE: All standard rotor cases do not have tap holes for flushing on jacketed options.

**RZL-Series Rotary Lobe Pump - 200 Series Bill of Materials**

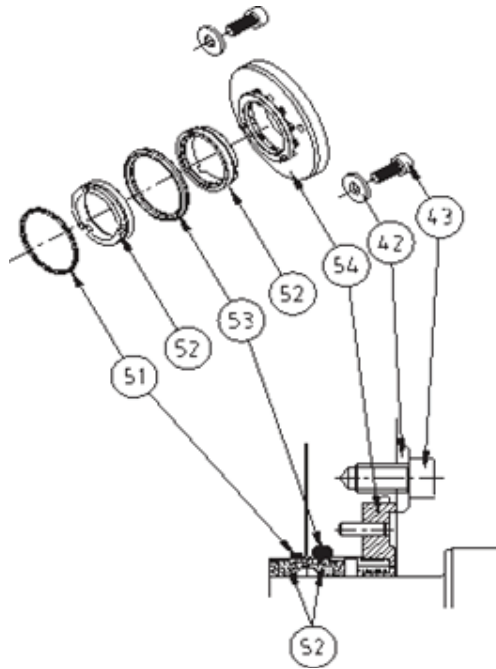
**Triple Lip Seal**



Item #	Part #	Description	Material	Used	Qty
43	RZL-220B-MSGWB	wrench bolt, M/seal gland (M6x10L)	SUS304	RZL200	4
51	RZL-220B-RTORB	O-ring, rotor (AN031)	nitrile rubber		2
	RZL-220B-RTORE	O-ring, rotor (AN031)	EPDM		2
	RZL-220B-RTORV	O-ring, rotor (AN031)	FKM		2
55	RZL-220B-TRPLSC	triple lip seal, product	PTFE + copper		2
	RZL-220B-TRPLS	triple lip seal, product	PTFE + glass		2
56	RZL-220B-LSC	lip seal cover	SUS304		2
57	RZL-220B-CERCS	ceramic coated sleeve, product	ceramic/SUS304		2

## RZL-Series Rotary Lobe Pump - 200 Series Bill of Materials

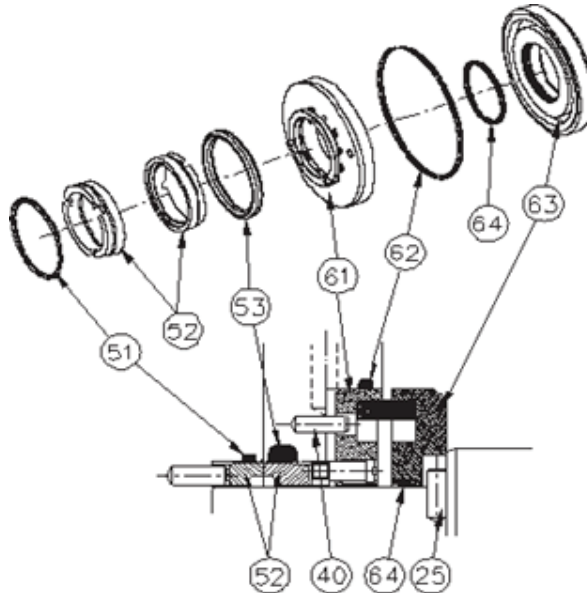
### Single Mechanical Seal



Item #	Part #	Description	Material	Used	Qty
42	RZL-220B-MSGFW	flat washer, M/Seal gland (φ6)	SUS304	RZL200	4
43	RZL-220B-MSGWB	wrench bolt, M/Seal gland (M6x10L)	SUS304		4
51	RZL-220B-RTORB	O-ring, rotor (AN031)	nitrile rubber		2
	RZL-220B-RTORE	O-ring, rotor (AN031)	EPDM	2	
	RZL-220B-RTORV	O-ring, rotor (AN031)	FKM	2	
52	RZL-220B-TCSEAL	seal ring	TC	RZL225	4
53	RZL-220B-RCORB	O-ring, rotor case (AN225)	nitrile rubber	RZL200	2
	RZL-220B-RCORE	O-ring, rotor case (AN225)	EPDM		2
	RZL-220B-RCORV	O-ring, rotor case (AN225)	FKM		2
54	RZL-220B-CSSB	single seal body, case	SUS304		2

## RZL-Series Rotary Lobe Pump - 200 Series Bill of Materials

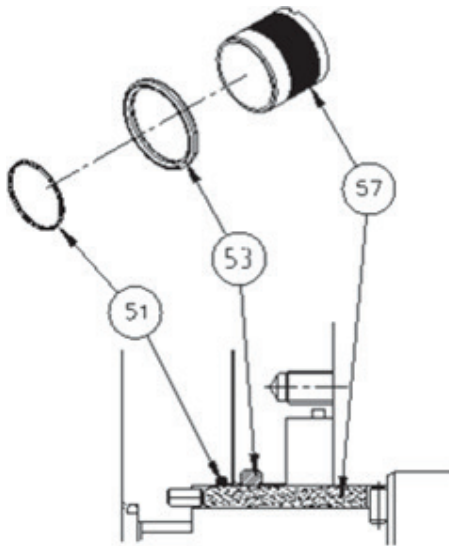
### Double Mechanical Seal



Item #	Part #	Description	Material	Used	Qty
51	RZL-220B-RTORB	O-ring, rotor (AN031)	nitrile rubber	RZL200	2
	RZL-220B-RTORE	O-ring, rotor (AN031)	EPDM		2
	RZL-220B-RTORV	O-ring, rotor (AN031)	FKM		2
52	RZL-220B-TCSEAL	seal ring	TC	RZL225	4
53	RZL-220B-RCORB	O-ring, rotor case (AN225)	nitrile rubber	RZL200	2
	RZL-220B-RCORE	O-ring, rotor case (AN225)	EPDM		2
	RZL-220B-RCORV	O-ring, rotor case (An225)	FKM		2
61	RZL-220B-CDSBTC	double seal body, case	TC/SUS304	RZL200	2
	RZL-220B-CDHPTC	double seal body, case, high pressure	TC/SUS304		2
62	RZL-220B-CORDSB	O-ring, case, double seal (AN039)	nitrile rubber	RZL200	2
	RZL-220B-CORDSE	O-ring, case, double seal (AN039)	EPDM		2
	RZL-220B-CORDSV	O-ring, case, double seal (AN039)	FKM		2
63	RZL-220B-SDSBC	rotation part, double seal, shaft	carbon/SUS304	RZL200	2
64	RZL-220B-SORDSB	O-ring, shaft, double seal (AN029)	nitrile rubber	RZL200	2
	RZL-220B-SORDSE	O-ring, shaft, double seal (AN029)	EPDM		2
	RZL-220B-SORDSV	O-ring, shaft, double seal (AN029)	FKM		2

## RZL-Series Rotary Lobe Pump - 200 Series Bill of Materials

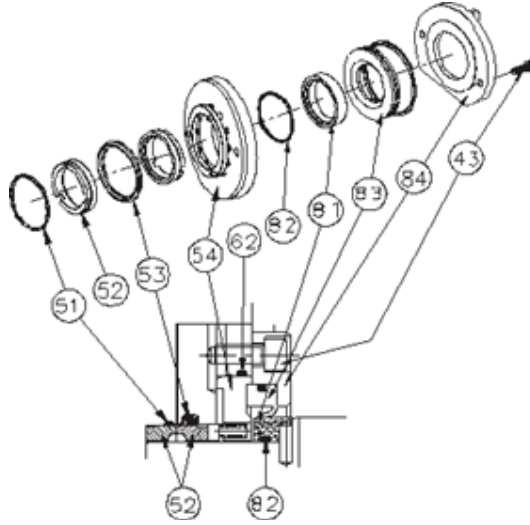
### Single O-ring Seal



Item #	Part #	Description	Material	Used	Qty
51	RZL-220B-RTORB	O-ring, rotor (AN031)	nitrile rubber	RZL 200	2
	RZL-220B-RTORE	O-ring, rotor (AN031)	EPDM		2
	RZL-220B-RTORV	O-ring, rotor (AN031)	FKM		2
53	RZL-220B-RCORB	O-ring, rotor case (AN225)	nitrile rubber		2
	RZL-220B-RCORE	O-ring, rotor case (AN225)	EPDM		2
	RZL-220B-RCORV	O-ring, rotor case (AN225)	FKM		2
57	RZL-220B-CERCS	ceramic coated sleeve	ceramic/ss	2	

## RZL-Series Rotary Lobe Pump - 200 Series Bill of Materials

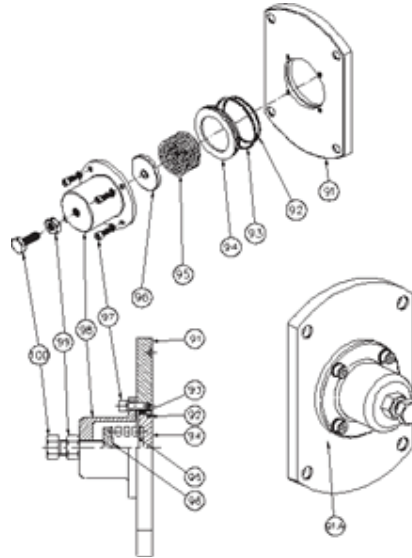
### Single Mechanical Seal with Flush



Item #	Part #	Description	Material	Used	Qty
43	RZL-220B-MSGWB	wrench bolt for lip seal gland (M6x10L)	SUS304	RZL200	4
51	RZL-220B-RTORB	O-ring, rotor (AN031)	nitrile rubber		2
	RZL-220B-RTORE	O-ring, rotor (AN031)	EPDM		2
	RZL-220B-RTORV	O-ring, rotor (AN031)	FKM	2	
52	RZL-220B-TCSEAL	mechanical seal ring	TC	RZL225	4
53	RZL-220B-RCORB	O-ring, rotor case (AN225)	nitrile rubber	RZL200	2
	RZL-220B-RCORE	O-ring, rotor case (AN225)	EPDM		2
	RZL-220B-RCORV	O-ring, rotor case (AN225)	FKM		2
62	RZL-220B-CORDSB	O-ring, flushing seal case (AN039)	nitrile rubber	RZL200	2
	RZL-220B-CORDSE	O-ring, flushing seal case (AN039)	EPDM		2
	RZL-220B-CORDSV	O-ring, flushing seal case (AN039)	FKM		2
54	RZL-220B-CSSB	seal base, single mechanical	SUS304	RZL200	2
81	RZL-220B-CERFL	ceramic sleeve for flushing	ceramic		2
82	RZL-220B-ORFLB	O-ring, ceramic sleeve, flushing (AN029)	nitrile rubber		2
	RZL-220B-ORFLE	O-ring, ceramic sleeve, flushing (AN029)	EPDM	2	
	RZL-220B-ORFLV	O-ring, ceramic sleeve, flushing (AN029)	FKM	2	
83	RZL-220B-LSFLT	PTFE - lip seal for flushing	PTFE		2
84	RZL-220B-SLPFLG	seal/lip seal gland for flushing	SUS304		2

## RZL-Series Rotary Lobe Pump - 200 Series Bill of Materials

### Pressure Relief Front Cover

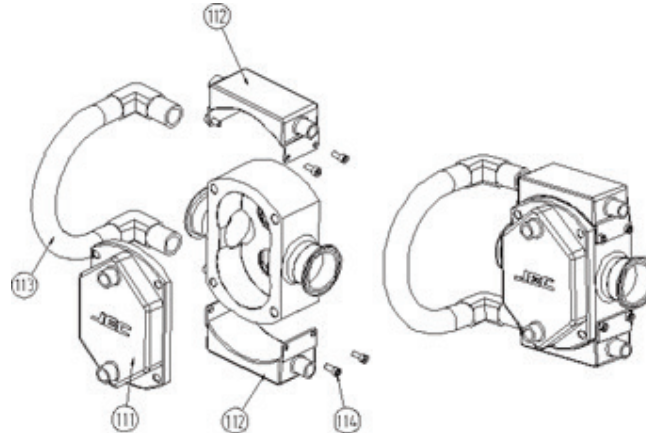


Item #	Part #	Description	Material	Used	Qty
91	RZL-220B-RVFC	front cover, relief valve	SUS316L	RZL200	1
91A	RZL-220B-C	pressure relief, front cover assembly	SUS316L		1
92	RZL-220B-OR1B	O-ring, 1 stage, plate (AN148)	nitrile rubber		1
	RZL-220B-OR1E	O-ring, 1 stage, plate (AN148)	EPDM		1
	RZL-220B-OR1V	O-ring, 1 stage, plate (AN148)	FKM		1
93	RZL-220B-OR2B	O-ring, 2 stage, plate (AN145)	nitrile rubber		1
	RZL-220B-OR2E	O-ring, 2 stage, plate (AN145)	EPDM		1
	RZL-220B-OR2V	O-ring, 2 stage, plate (AN145)	FKM		1
94	RZL-220B-VP	plate, valve	SUS316L		1
95	RZL-220B-RVSP	spring	SS41 + Cr		1
96	RZL-220B-SPGP	plate, spring	SUS304		1
97	RZL-220B-RVWB	wrench bolt (M6x20L)	SUS304		4
98	RZL-220B-RVC	cover, relief valve	SUS304		1
99	RZL-220B-RVLN	lock nut (M12)	SUS304		1
100	RZL-220B-RVAB	adjusting bolt (M12x60)	SUS304		1

NOTE: Must supply setting pressure.

## RZL-Series Rotary Lobe Pump - 200 Series Bill of Materials

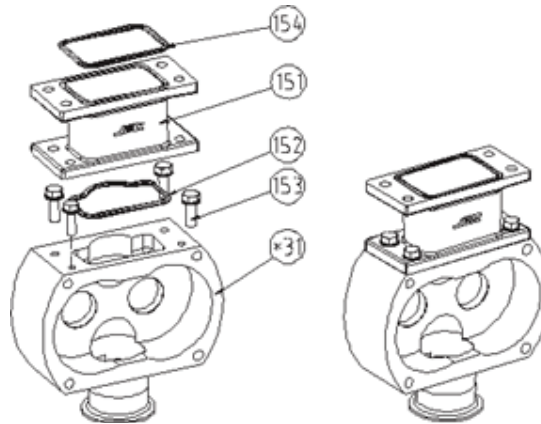
### Jacket Front Cover and Case



Item #	Part #	Description	Material	Used	Qty
111	RAL-220B-FCJ	front cover jacket	SUS316L	RZL200	1
112	RZL-220-CTJ	jacket, case top	SUS304	RZL200	1
	RZL-220-CBJ	jacket, case bottom	SUS304		1
	RZL-225-CTJ	jacket, case top	SUS304	RZL225	1
	RZL-225-CBJ	jacket, case bottom	SUS304		1
113	RZL-220B-JT	tube, jacket	SUS304	RZL225	1
114	RZL-220B-JWB	wrench bolt, jacket (M8x25)	SUS304	RZL100	2

## RZL-Series Rotary Lobe Pump - 200 Series Bill of Materials

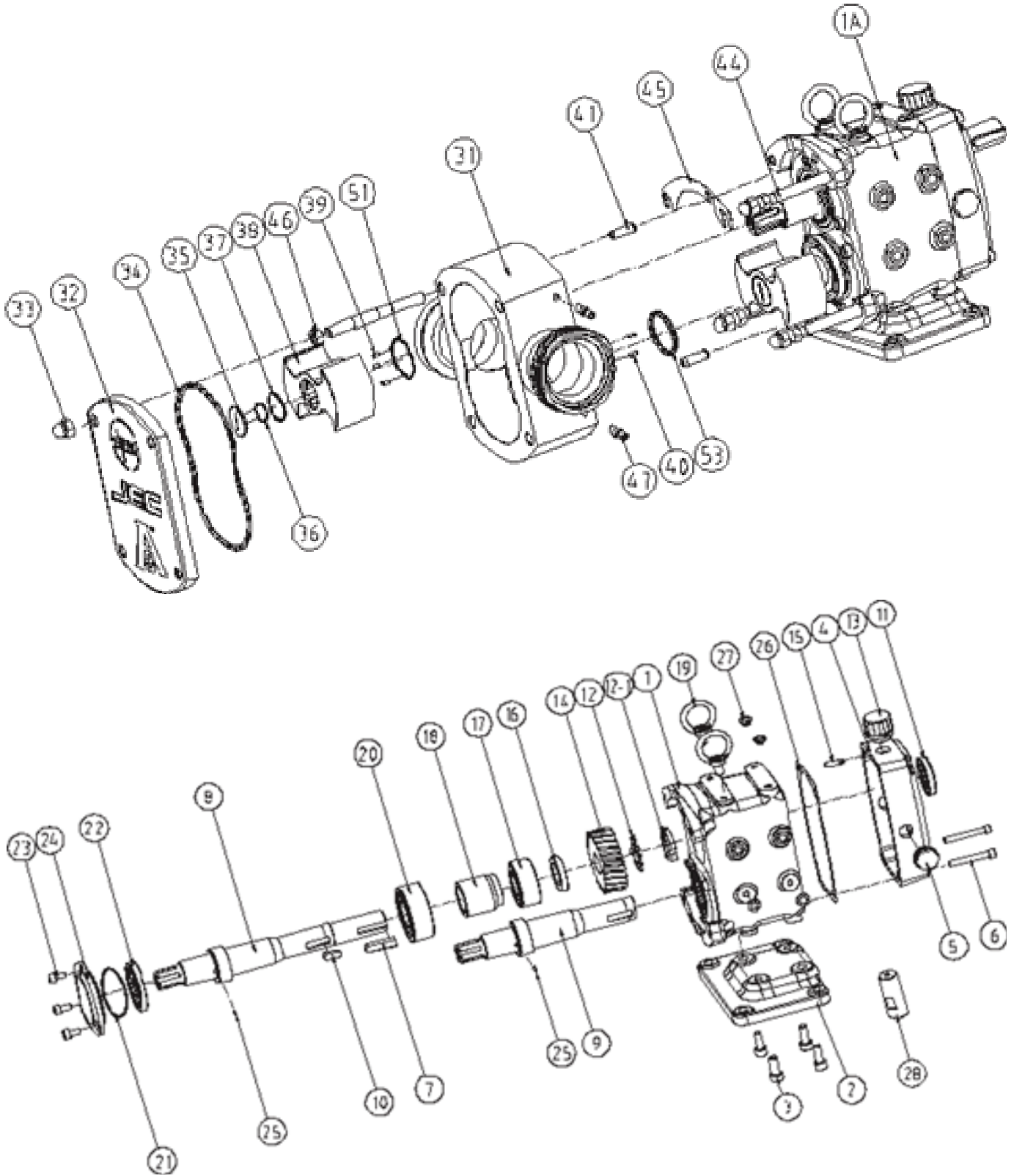
Rectangular Inlet



Item #	Part #	Description	Material	Used	Qty
151	RZL-220-RCRIA	adapter, rectangular inlet	SUS304	RZL220	1
	RZL-220-RCRIA	adapter, rectangular inlet	SUS304	RZL225	1
152	RZL-220-RIORB	O-ring, rectangular inlet (AN238)	nitrile rubber	RZL220	1
	RZL-220-RIOR	O-ring, rectangular inlet (AN238)	EPDM		1
	RZL-220-RIORV	O-ring, rectangular inlet (AN238)	FKM		1
	RZL-220-RIORB	O-ring, rectangular inlet (AN243)	nitrile rubber	RZL225	1
	RZL-225-RIOR	O-ring, rectangular inlet (AN243)	EPDM		1
	RZL-225-RIORV	O-ring, rectangular inlet (AN243)	FKM		1
153	RZL-220B-RIHB	hex bolt and S/W (M8x25)	SUS304	RZL200	4
154	RZL-220B-ROORB	O-ring, rectangular adapter (AN240)	nitrile rubber	RZL220	1
	RZL-220-ROOR	O-ring, rectangular adapter (AN240)	EPDM		1
	RZL-220-ROORV	O-ring, rectangular adapter (AN240)	FKM		1
	RZL-225-ROORB	O-ring, rectangular adapter (AN245)	nitrile rubber	RZL225	1
	RZL-225-ROOR	O-ring, rectangular adapter (AN245)	EPDM		1
	RZL-225-ROORV	O-ring, rectangular adapter (AN245)	FKM		1

### RZL-Series Rotary Lobe Pump - 300 Series Bill of Materials

Basic Assembly (Single M/Seal)



## RZL-Series Rotary Lobe Pump - 300 Series Bill of Materials

### Gear Box Assembly (Basic)

Item #	Part #	Description	Material	Used	Qty
1	RZL-330B-GBSS	gear box	SUS304	RZL300	1
2	RZL-330B-GBSSB	base, gear box	SUS304		1
3	RZL-330B-BWB	wrench bolt, base (M12x30L)	SUS304		4
4	RZL-330B-GBCSS	cover, gear box	SUS304		1
5	RZL-330B-PLD	plug, level, drain	-		3
6	RZL-330B-GBWB	wrench bolt, gear box cover (M8x70L)	SUS304		4
7	RZL-330B-DSKEY	key, shaft (14x9x53)	S45C		1
8	RZL-330-DSHAFT	shaft, drive	SUS304	RZL330	1
	RZL-340-DSHAFT	shaft, drive	SUS304	RZL340	1
9	RZL-330-ISHAFT	shaft, idle	SUS304	RZL330	1
	RZL-340-ISHAFT	shaft, idle	SUS304	RZL340	1
10	RZL-330B-GKEY	key, gear (14x9x35)	S45C	RZL300	2
11	RZL-330B-OSCB	oil seal, cover (45x70x12t)	nitrile rubber		1
	RZL-330B-OSCV	oil seal, cover (45x70x12t)	FKM		1
12	RZL-330B-TGWASH	lock washer	S45C		2
12-1	RZL-330B-TGNUT	lock nut	S45C		2
13	RZL-330B-RVLV	breather, gear box	PE		1
14	RZL-330B-TGHELG	helical gear	S45C		2
15	RZL-330B-GBDOW	dowel, gear box (φ8)	SUS304		2
16	RZL-330B-GSPAC	spacer, gear (φ35x6L)	S45C		2
17	RZL-330B-RBEAR	bearing, rear (#5210)	S45C		2
18	RZL-330B-BSPAC	spacer, bearing	S45C		2
19	RZL-330B-IBOLT	I-bolt / M8	SUS304		2
20	RZL-330B-FBEAR	bearing, front (#5212)	S45C		2
21	RZL-330B-OSGOV	O-ring, oil seal gland (AN045)	FKM		2
22	RZL-330B-OSGB	oil seal, gear box (65x90x12t)	nitrile rubber	2	
	RZL-330B-OSGV	oil seal, gear box (65x90x12t)	FKM	2	
23	RZL-330B-OSGWB	wrench olt, oil seal gland (M12x25L)	SUS304	RZL300	6
24	RZL-330B-OSGLD	gland, oil seal	SUS304		2
25	RZL-330B-DSPIN	pin, double seal	SUS304		2
26	RZL-330B-GCGP	gasket	paper		1
27	RZL-330B-PLUG	plug (M12)	PE		8
28	RZL-330B-VADPT	vertical adapter	SUS304	RZL300	4
29	RZL-115B-LFP	pad, leg feet	SS + rubber	RZL series	4
30	RZL-115B-ERT	rotor tool, extraction	FCD40	RZL series	1
31A*	RZL-330B-GUARD	safety guard (casing)	SUS304	RZL 300	2
31B*	RZL-330B-GB	guard wrench bolt M6x8	SUS304	RZL 300/400	4

\*Items are not pictured on the exploded view. For more information please contact Dixon Sanitary at 800.789.1718.

## RZL-Series Rotary Lobe Pump - 300 Series Bill of Materials

### Pump Assembly

Item #	Part #	Description	Material	Used	Qty		
					Per Assembly	Per Pump	
1A	RZL-330-GBASS	gear box assembly - stainless steel	SUS304	RZL330	1	1	
	RZL-340-GBASS	gear box assembly - stainless steel	SUS304	RZL340	1	1	
31	see page 54	rotor case	SUS316L	RZL300	1	1	
32	RZL-330B-FCVFR	front cover	SUS316L		1	1	
33	RZL-330B-CNUT	cap nut	SUS304		1	4	
34	RZL-330B-FCORB	O-ring, front cover (AN271)	nitrile rubber		1	1	
	RZL-330B-FCORE	O-ring, front cover (AN271)	EPDM		1	1	
	RZL-330B-FCORV	O-ring, front cover (AN271)	FKM		1	1	
36	RZL-330B-RBW	rotor bolt and spring washer	SUS304		1	2	
37	RZL-330B-RBORB	O-ring, rotor bolt (AN225)	nitrile rubber		1	2	
	RZL-330B-RBORE	O-ring, rotor bolt (AN225)	EPDM		1	2	
	RZL-330B-RBORV	O-ring, rotor bolt (AN225)	FKM		1	2	
38	see page 57	rotor	SUS316L		1	2	
39	RZL-330B-RTSLP	seal pin, rotor	SUS304		3	6	
40	RZL-330B-CSSLP	seal pin, case	SUS304		2	4	
41	RZL-330B-RCDOW	dowel, rotor case (φ13)	SUS304		1	2	
44	RZL-330-CSSB	stud bolt, case	SUS304		RZL330	1	4
	RZL-340-CSSB	stud bolt, case	SUS304		RZL340	1	4
45	RZL-330B-SHIM05	shim (0.05mm)	SUS304		RZL300	1	2
	RZL-330B-SHIM1	shim (0.1mm)	SUS304	RZL300	1	2	
	RZL-330B-SHIM2	shim (0.2mm)	SUS304	RZL300	1	2	
46	RZL-330B-SBHYN	hex nut, stud bolt (M14)	SUS304	RZL300	2	4	
47	RZL-330B-FSNIP	nipple, flush (PT 1/8")	SUS304	RZL300	1	2	
51	RZL-330B-RTORB	O-ring, rotor (AN142)	nitrile rubber		1	2	
	RZL-330B-RTORE	O-ring, rotor (AN142)	EPDM		1	2	
	RZL-330B-RTORV	O-ring, rotor (AN142)	FKM	1	2		
53	RZL-330B-RCORB	O-ring, rotor case (AN230)	nitrile rubber	RZL300	1	2	
	RZL-330B-RCORE	O-ring, rotor case (AN230)	EPDM		1	2	
	RZL-330B-RCORV	O-ring, rotor case (AN230)	FKM		1	2	

NOTE: Please contact Dixon Sanitary or local distributor for purchased product (rotor case, front cover, gear box, stud bolt, and shim) before October, 2011.

## RZL-Series Rotary Lobe Pump - 300 Series Bill of Materials

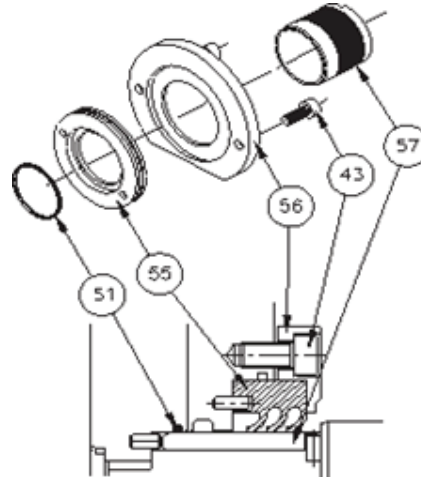
### Rotor Case/Rotor

Item #	Part #	Description	Material	Used	Qty
31	RZL-330-RCCLMP	rotor case - 3" triclamp	SUS316L	RZL330	1
	RZL-330-RCFLNG	rotor case - 3" flanger	SUS316L		1
	RZL-340-RCCLMP	rotor case - 4" triclamp	SUS316L	RZL340	1
	RZL-340-RCFLNG	rotor case 4" flange	SUS316L		1
38	RZL-330-SWA	rotor set (2), single-wing	SUS316L	RZL330	1
	RZL-330-BWA	rotor set (2), bi-wing	SUS316L		1
	RZL-330-BWTIA	rotor set (2), bi-wing, PTFE inserted	SUS316L / PTFE		1
	RZL-330-HWA	rotor set (2), bi-wing, high temp clearance	SUS316L		1
	RZL-330-BLA	rotor set (2), bi-lobe	SUS316L		1
	RZL-330-3LA	rotor set (2), tri-lobe	SUS316L		1
	RZL-330-H3LA	rotor set (2), tri-lobe, high temp clearance	SUS316L		1
	RZL-330-HELIA	rotor set (2), heli-lobe	SUS316L		1
	RZL-340-SWA	rotor set (2), single-wing	SUS316L	RZL340	1
	RZL-340-BWA	rotor set (2), bi-wing	SUS316L		1
	RZL-340-BWTIA	rotor set (2), bi-wing, PTFE inserted	SUS316L / PTFE		1
	RZL-340-HWA	rotor set (2), bi-wing, high temp clearance	SUS316L		1
	RZL-340-BLA	rotor set (2), bi-lobe	SUS316L		1
	RZL-340-3LA	rotor set (2), tri-lobe	SUS316L		1
	RZL-340-H3LA	rotor set (2), tri-lobe, high temp clearance	SUS316L		1
	RZL-340-HELIA	rotor set (2), heli-lobe	SUS316L		1
	RZL-340-RHELIA	rotor set (2), heli-lobe	EPDM		1

NOTE: All standard rotor cases do not have tap holes for flushing on jacketed options.

**RZL-Series Rotary Lobe Pump - 300 Series Bill of Materials**

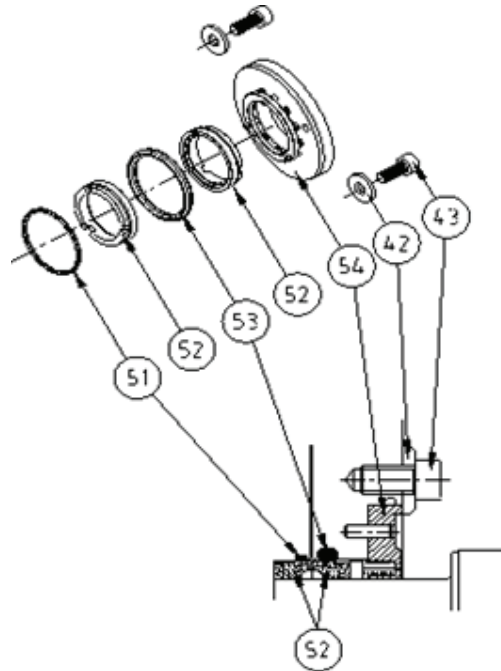
**Triple Lip Seal**



Item #	Part #	Description	Material	Used	Qty
43	RZL-330B-MSGWB	wrench bolt, M/Seal gland (M6x10L)	SUS304	RZL300	4
51	RZL-330B-RTORB	O-ring, rotor (AN142)	nitrile rubber		2
	RZL-330B-RTORE	O-ring, rotor (AN142)	EPDM		2
	RZL-330B-RTORV	O-ring, rotor (AN142)	FKM		2
55	RZL-330B-TRPLSC	triple lip seal, product	PTFE + copper		2
	RZL-330B-TRPLS	triple lip seal, product	PTFE + glass		2
56	RZL-330B-LSC	lip seal cover	SUS304		2
57	RZL-330B-CERCS	ceramic coated sleeve, product	ceramic SUS304		2

## RZL-Series Rotary Lobe Pump - 300 Series Bill of Materials

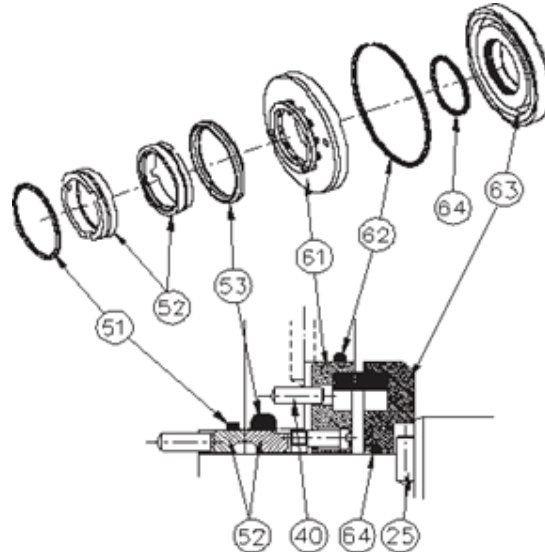
### Single Mechanical Seal



Item #	Part #	Description	Material	Used	Qty
42	RZL-330B-MSGFW	flat washer, M/Seal gland ( $\phi 6$ )	SUS304	RZL300	4
43	RZL-330B-MSGWB	wrench bolt, M/Seal gland (M6x10L)	SUS304		4
51	RZL-330B-RTORB	O-ring, rotor (AN142)	nitrile rubber		2
	RZL-330B-RTORE	O-ring, rotor (AN142)	EPDM		2
	RZL-330B-RTORV	O-ring, rotor (AN142)	FKM	2	
52	RZL-330B-TCSEAL	seal ring	TC	RZL340	4
	RZL-340-RHLTCSR	seal ring, rubber heli-lobe	TC		4
53	RZL-330B-RCORB	O-ring, rotor case (AN230)	nitrile rubber	RZL300	2
	RZL-330B-RCORE	O-ring, rotor case (AN230)	EPDM		2
	RZL-330B-RCORV	O-ring, rotor case (AN230)	FKM		2
54	RZL-330B-CSSB	single seal body, case	SUS304		2

## RZL-Series Rotary Lobe Pump - 300 Series Bill of Materials

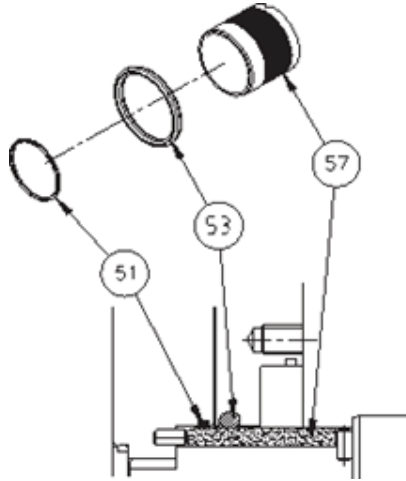
### Double Mechanical Seal



Item #	Part #	Description	Material	Used	Qty
51	RZL-330B-RTORB	O-ring, rotor (AN142)	nitrile rubber	RZL300	2
	RZL-330B-RTORE	O-ring, rotor (AN142)	EPDM		2
	RZL-330B-RTORV	O-ring, rotor (AN142)	FKM		2
52	RZL-330B-TCSEAL	seal ring	TC	RZL340	4
	RZL-340-RHLTCSR	seal ring, rubber heli-lobe	TC		4
53	RZL-330B-RCORB	O-ring, rotor case (AN230)	nitrile rubber	RZL300	2
	RZL-330B-RCORE	O-ring, rotor case (AN230)	EPDM		2
	RZL-330B-RCORV	O-ring, rotor case (AN230)	FKM		2
61	RZL-330B-CDSBTC	double seal body case	TC/SUS304	RZL300	2
	RZL-330B-CDHPTC	double seal body, case, high pressure	TC/SUS304		2
62	RZL-330B-CORDSB	O-ring, case, double seal (AN043)	nitrile rubber	RZL300	2
	RZL-330B-CORDSE	O-ring, case, double seal (AN043)	EPDM		2
	RZL-330B-CORDSV	O-ring, case, double seal (AN043)	FKM		2
63	RZL-330B-SDSBC	rotation part, double seal, shaft	carbon/SUS304	RZL300	2
64	RZL-330B-SORDSB	O-ring, shaft, double seal (AN033)	nitrile rubber	RZL300	2
	RZL-330B-SORDSE	O-ring, shaft, double seal (AN033)	EPDM		2
	RZL-330B-SORDSV	O-ring, shaft, double seal (AN033)	FKM		2

## RZL-Series Rotary Lobe Pump - 300 Series Bill of Materials

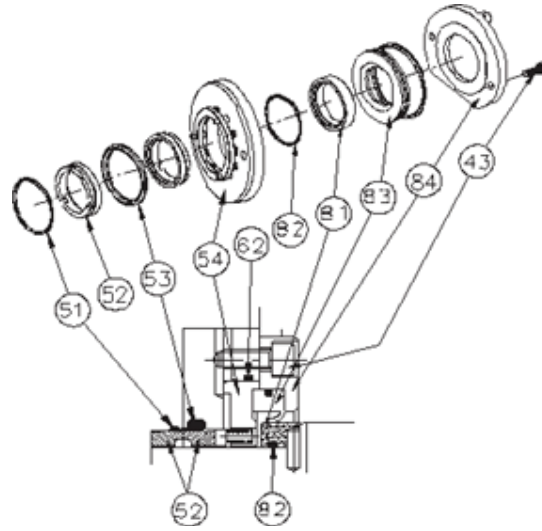
### Single O-ring Seal



Item #	Part #	Description	Material	Used	Qty
51	RZL-330B-RTORB	O-ring, rotor (AN142)	nitrile rubber	RZL 300	2
	RZL-330B-RTORE	O-ring, rotor (AN142)	EPDM		2
	RZL-330B-RTORV	O-ring, rotor (AN142)	FKM		2
53	RZL-330B-RCORB	O-ring, rotor case (AN230)	nitrile rubber		2
	RZL-330B-RCORE	O-ring, rotor case (AN230)	EPDM		2
	RZL-330B-RCORV	O-ring, rotor case (AN230)	FKM		2
57	RZL-330B-CERCS	ceramic coated sleeve	ceramic/SUS304		2

## RZL-Series Rotary Lobe Pump - 300 Series Bill of Materials

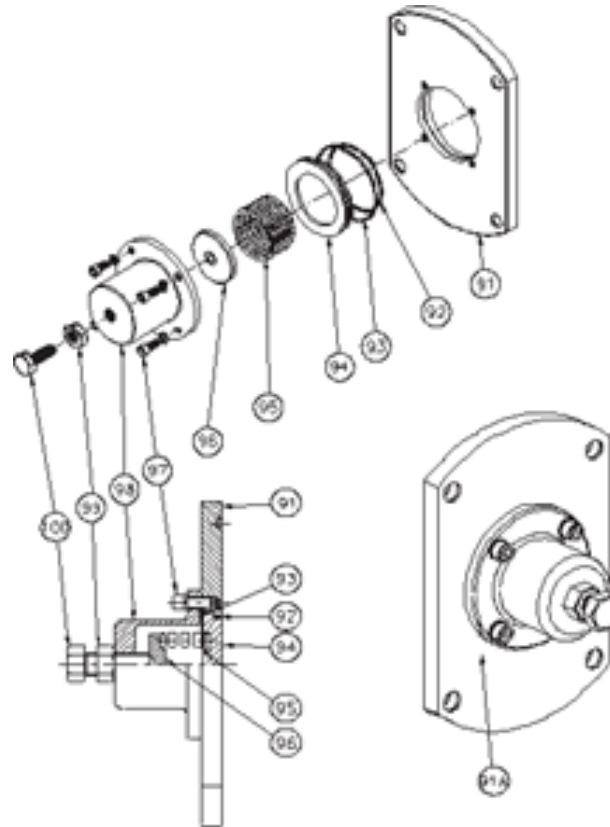
### Single Mechanical Seal with Flush



Item #	Part #	Description	Material	Used	Qty
43	RZL-330B-MSGWB	wrench bolt, lip seal gland (M6x10L)	SUS304	RZL300	4
51	RZL-330B-RTORB	O-ring, rotor (AN142)	nitrile rubber		2
	RZL-330B-RTORE	O-ring, rotor (AN142)	EPDM		2
	RZL-330B-RTORV	O-ring, rotor (AN142)	FKM		2
52	RZL-330B-TCSEAL	mechanical seal ring	TC	RZL340	4
53	RZL-330B-RCORB	O-ring, rotor case (AN230)	nitrile rubber	RZL300	2
	RZL-330B-RCORE	O-ring, rotor case (AN230)	EPDM		2
	RZL-330B-RCORV	O-ring, rotor case (AN230)	FKM		2
54	RZL-330B-CSSB	seal base, single mechanical	SUS304		2
62	RZL-330B-CORDSB	O-ring, flushed seal case (AN042)	nitrile rubber	RZL300	2
	RZL-330B-CORDSE	O-ring, flushed seal case (AN042)	EPDM		2
	RZL-330B-CORDSV	O-ring, flushed seal case (AN042)	FKM		2
81	RZL-330B-CERFL	ceramic sleeve, flushing	ceramic	2	
83	RZL-330B-LSFLT	lip seal, flushing	PTFE	2	
82	RZL-330B-ORFLB	O-ring, ceramic sleeve, flushing (AN033)	nitrile rubber	2	
	RZL-330B-ORFLE	O-ring, ceramic sleeve, flushing (AN033)	EPDM	2	
	RZL-330B-ORFLV	O-ring, ceramic sleeve, flushing (AN033)	FKM	2	
84	RZL-330B-SLPFLG	gland, flushing	SUS304	2	

## RZL-Series Rotary Lobe Pump - 300 Series Bill of Materials

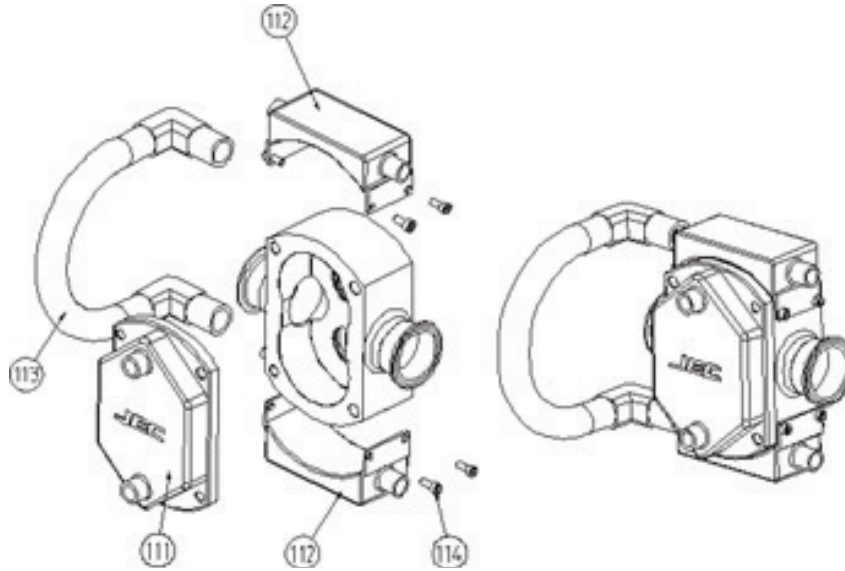
### Pressure Relief Front Cover



Item #	Part #	Description	Material	Used	Qty
91	RZL-330B-RVFC	front cover, relief valve	SUS316L	RZL300	1
91A	RZL-330B-C	pressure relief front cover assembly	SUS316L		1
92	RZL-330B-OR1B	O-ring, 1 stage, plate (AN242)	nitrile rubber		1
	RZL-330B-OR1E	O-ring, 1 stage, plate (AN242)	EPDM		1
	RZL-330B-OR1V	O-ring, 1 stage, plate (AN242)	FKM		1
93	RZL-330B-OR2B	O-ring, 2 stage, plate (AN239)	nitrile rubber		1
	RZL-330B-OR2E	O-ring, 2 stage plate (AN239)	EPDM		1
	RZL-330B-OR2V	O-ring, 2 stage plate (AN239)	FKM		1
94	RZL-330B-VP	plate, valve	SUS316L		1
95	RZL-330B-RVSP	spring	SS41 + Cr		1
96	RZL-330B-SPGP	plate, spring	SUS304		1
97	RZL-330B-RVWB	wrench, bolt	SUS304		4
98	RZL-330B-RVC	cover relief valve (M8x25)	SUS304		1
99	RZL-330B-RVLN	lock nut (M20)	SUS304		1
100	RZL-330B-RVAB	adjusting bolt (M20x80L)	SUS304	1	

## RZL-Series Rotary Lobe Pump - 300 Series Bill of Materials

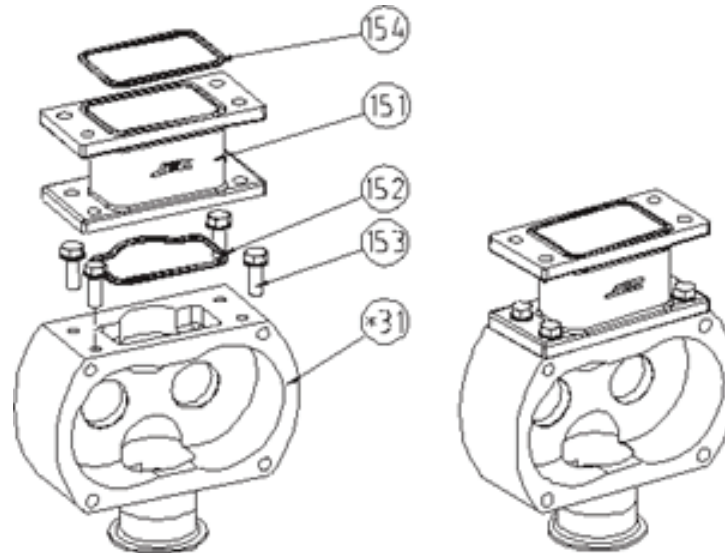
### Jacket Front Cover and Case



Item #	Part #	Description	Material	Used	Qty
111	RZL-330B-FCJ	front cover jacket	SUS316L	RZL300	1
112	RZL-330-CTJ	jacket, case top	SUS304	RZL330	1
	RZL-330-CBJ	jacket, case bottom	SUS304		1
	RZL-340-CTJ	jacket, case top	SUS304	RZL340	1
	RZL-340-CBJ	jacket, case bottom	SUS304		1
113	RZL-330-JT	tube, jacket	SUS304	RZL330	1
	RZL-340-JT	tube, jacket	SUS304	RZL340	1
114	RZL-330B-JWB	wrench bolt, jacket	SUS304	RZL300	4

## RZL-Series Rotary Lobe Pump - 300 Series Bill of Materials

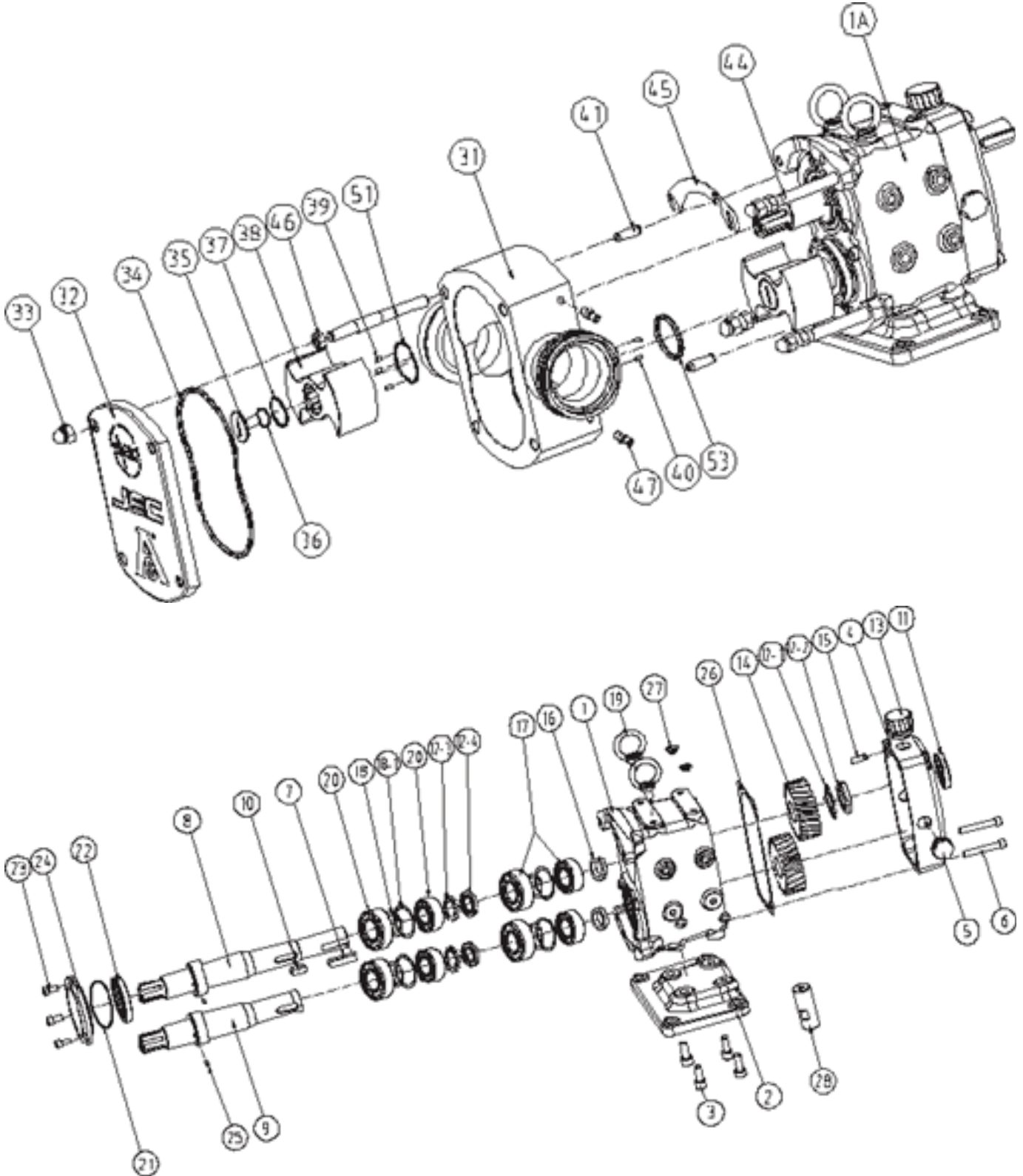
### Rectangular Inlet



Item #	Part #	Description	Material	Used	Qty
151	RZL-330-RCRIA	adapter, rectangular inlet	SUS304	RZL330	1
	RZL-330-RCRIA	adapter, rectangular inlet	SUS304	RZL340	1
152	RZL-330-RIORB	O-ring, rectangular inlet (AN248)	nitrile rubber	RZL330	1
	RZL-330-R10R	O-ring, rectangular inlet (AN248)	EPDM		1
	RZL-330-RIORV	O-ring, rectangular inlet (AN248)	FKM		1
	RZL-340-RIORB	O-ring, rectangular inlet (AN248)	nitrile rubber	RZL340	1
	RZL-340-RIOR	O-ring, rectangular inlet (AN248)	EPDM		1
	RZL-340-RIORV	O-ring, rectangular inlet (AN248)	FKM		1
153	RZL-330B-RIHB	hex bolt and S/W (M10x30)	SUS304	RZL300	4
154	RZL-330-ROORB	O-ring, rectangular adapter (AN257)	nitrile rubber	RZL330	1
	RZL-330-ROOR	O-ring, rectangular adapter (AN257)	EPDM		1
	RZL-330-ROORV	O-ring, rectangular adapter (AN257)	FKM		1
	RZL-340-ROORB	O-ring, rectangular adapter (AN260)	nitrile rubber	RZL340	1
	RZL-340-ROOR	O-ring, rectangular adapter (AN260)	EPDM		1
	RZL-340-ROORV	O-ring, rectangular adapter (AN260)	FKM		1
31	RZL-330-RCRI2C	rotor case - rect / 3" triclamp	SUS316L	RZL300	1
	RZL-330B-RFLG	rotor case - rect / 3" JIS flanger	SUS316L		1

### RZL-Series Rotary Lobe Pump - 400 Series Bill of Materials

Basic Assembly (Single M/Seal)



## RZL-Series Rotary Lobe Pump - 400 Series Bill of Materials

### Gear Box Assembly (Basic)

Item #	Part #	Description	Material	Used	Qty
1	RZL-440B-GBCI	gear box	FCD40	RZL400	1
2	RZL-440B-GBCIB	base, gear box	FCD40	RZL400	1
3	RZL-440B-BWB	wrench bolt, base (M14x35L)	SUS304		4
4	RZL-440B-GBCCI	cover, gear box	FCD40		1
	RZL-440B-GBCSS	cover, gear box	SUS304		1
5	RZL-330B-PLD	plug, level, drain	-	RZL300/400	3
6	RZL-440B-GBWB	wrench bolt, gear box cover (M10x90L)	SUS304	RZL440	4
7	RZL-440B-DSKEY	key, gear (14x9x67)	S45C		2
8	RZL-440-DSHAFT	shaft, drive	SUS304		1
	RZL-450-DSHAFT	shaft, drive	SUS304	RZL450	1
9	RZL-440-ISHAFT	shaft, idle	SUS304	RZL440	1
	RZL-450-ISHAFT	shaft, idle	SUS304	RZL450	1
10	RZL-440B-GKEY	key, gear (14x9x53)	S45C	RZL400	2
11	RZL-440B-OSCB	oil seal, cover (55x82x12t)	nitrile rubber		1
	RZL-440B-OSCV	oil seal, cover (55x82x12t)	FKM	1	
12-1	RZL-440B-TGWSHD	lock washer, drive shaft	S45C	RZL400	2
12-2	RZL-440B-TGNUTD	lock nut, drive shaft	S45C		2
12-3	RZL-440B-TGWSHI	lock washer, idle shaft	S45C		2
12-4	RZL-440B-TGNUTI	lock nut, idle shaft	S45C		4
13	RZL-440B-RVLV	breather, gear box	PE	RZL400	1
14	RZL-440B-TGHELG	helical gear	S45C		2
15	RZL-440B-GBDOW	dowel, gear box (φ8)	SUS304	RZL400	2
16	RZL-440B-GSPAC	spacer, gear (φ35x5L)	S45C		2
17	RZL-440B-RBEAR	bearing, rear (#E32213J)	-		4
18	RZL-440B-BSPCI	spacer, bearing (inner)	S45C		4
18-1	RZL-440B-BSPCO	spacer, bearing (outer)	S45C		4
19	RZL-440B-IBOLT	I-bolt / M14	SUS		2
	RZL-440B-FBEAR	bearing, front (#E32215J)	-		4
21	RZL-440B-OSGOV	O-ring, oil seal gland (AN049)	FKM		2
22	RZL-440B-OSGB	oil seal, gear box (85x110x13t)	nitrile rubber		2
	RZL-440B-OSGV	oil seal, gear box (85x110x13t)	FKM		2
23	RZL-440B-OSGWB	wrench bolt, oil seal gland (M12x25L)	SUS304		8
24	RZL-440B-OSGLD	gland, oil seal	SUS304		2
25	RZL-440B-DSPIN	pin, double seal	SUS304	4	
26	RZL-440B-GCGP	gasket	paper	1	
27	RZL-440B-PLUG	plug (M14)	PE	8	
28	RZL-440B-VADPT	vertical adapter	SUS304	RZL400	4
29	RZL-115B-LFP	pad, leg feet	SS + rubber	RZL series	4
30	RZL-115B-ERT	rotor tool, extraction	SUS304	RZL series	1
31A*	RZL-440B-GUARD	safety guard (casing)	SUS304	RZI 400	2
31B*	RZL-330B-GB	guard wrench bolt M6x8	SUS304	RZL 300/400	4

\*Items are not pictured on the exploded view. For more information please contact Dixon Sanitary at 800.789.1718.

## RZL-Series Rotary Lobe Pump - 400 Series Bill of Materials

### Pump Assembly

Item #	Part #	Description	Material	Used	Qty
1A	RZL-440-GBAW	gear box assembly - white	FCD40	RZL440	1
	RZL-450-GBAW	gear box assembly - white	FCD40		1
31	see page 54	rotor case	SUS316L	RZL400	1
32	RZL-440B-FCVR	front cover	SUS316L	RZL400	1
33	RZL-440B-CNUT	cap nut	SUS304		4
34	RZL-440B-FCORB	O-ring, front cover (AN278)	nitrile rubber		1
	RZL-440B-FCORE	O-ring, front cover (AN278)	EPDM		1
	RZL-440B-FCORV	O-ring, front cover (AN278)	FKM		1
36	RZL-440B-RBW	spring washer	SUS304		2
37	RZL-440B-RBORB	O-ring, rotor bolt (AN228)	nitrile rubber		2
	RZL-440B-RBORE	O-ring, rotor bolt (AN228)	EPDM		2
	RZL-440B-RBORV	O-ring, rotor bolt (AN228)	FKM		2
38	see page 57	rotor	SUS304		6
39	RZL-440B-RTSLP	rotor, seal pin	SUS316L	RZL400	2
40	RZL-440B-CSSLP	seal pin, case	SUS304	RZL400	4
41	RZL-440B-RCDOW	dowel, rotor case (φ15)	SUS304	RZL400	2
44	RZL-440-CSSB	stud bolt, case (M20x198L)	SUS304	RZL440	4
	RZL-450-CSSB	stud bolt, case (M20x223L)	SUS304	RZL450	4
45	RZL-440B-SHIM05	shim (0.05 mm)	SUS304	RZL400	2
	RZL-440B-SHIM1	shim (0.1 mm)	SUS304		2
	RZL-440B-SHIM2	shim (0.2 mm)	SUS304		2
46	RZL-440B-SBHYN	hex nut, stud bolt (M10, 14mm)	SUS304		4
47	RZL-440B-FSNIP	nipple, flush	SUS304		2
51	RZL-440B-RTORE	O-ring, rotor (AN151)	EPDM		2
	RZL-440B-RTORV	O-ring, rotor (AN151)	FKM		2
53	RZL-440B-RCORE	O-ring, rotor case (AN235)	EPDM		2
	RZL-440B-RCORV	O-ring, rotor case (AN235)	FKM		2

## RZL-Series Rotary Lobe Pump - 400 Series Bill of Materials

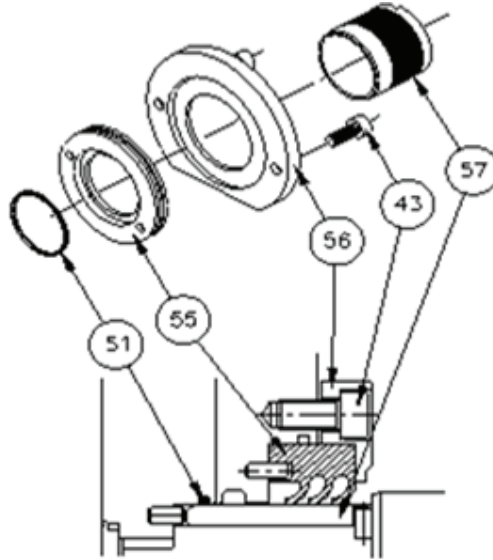
### Rotor Case/Rotor

Item #	Part #	Description	Material	Used	Qty
31	RZL-440-RCCLMP	rotor case - 4" triclamp	SUS316L	RZL440	1
31	RZL-450-RCCLMP	rotor case - 5" triclamp / 5" triclamp	SUS316L	RZL450	1
	RZL-450-RCFLNG	rotor case - 5" flanger	SUS316L		1
38	RZL-440-SWA	rotor set (2), single-wing	SUS316L	RZL440	2
	RZL-440-BWA	rotor set (2), bi-wing	SUS316L		2
	RZL-440-BWTIA	rotor set (2), bi-wing, PTFE inserted	SUS316L/PTFE		2
	RZL-440-HWA	rotor set (2), bi-wing, high temp clearance	SUS316L		2
	RZL-440-BLA	rotor set (2), bi-lobe	SUS316L		2
	RZL-440-3LA	rotor set (2), tri-lobe	SUS316L		2
	RZL-440-HTLA	rotor set (2), tri-lobe, high temp clearance	SUS316L		2
	RZL-440-HELIA	rotor set (2), heli-lobe	SUS316L		2
	RZL-450-SWA	rotor set (2), single-wing	SUS316L	RZL450	2
	RZL-450-BWA	rotor set (2), bi-wing	SUS316L		2
	RZL-450-BWTIA	rotor set (2), bi-wing, PTFE inserted	SUS316L		2
	RZL-450-HWA	rotor set (2), bi-wing, high temp clearance	SUS316L		2
	RZL-450-BLA	rotor set (2), bi-lobe	SUS316L		2
	RZL-450-3LA	rotor set (2), tri-lobe	SUS316L		2
	RZL-450-HTLA	rotor set (2), tri-lobe, high temp clearance	SUS316L		2
	RZL-450-HELIA	rotor set (2), heli-lobe	SUS316L		2

NOTE: All standard rotor cases do not have tap holes for flushing on jacketed options.

## RZL-Series Rotary Lobe Pump - 400 Series Bill of Materials

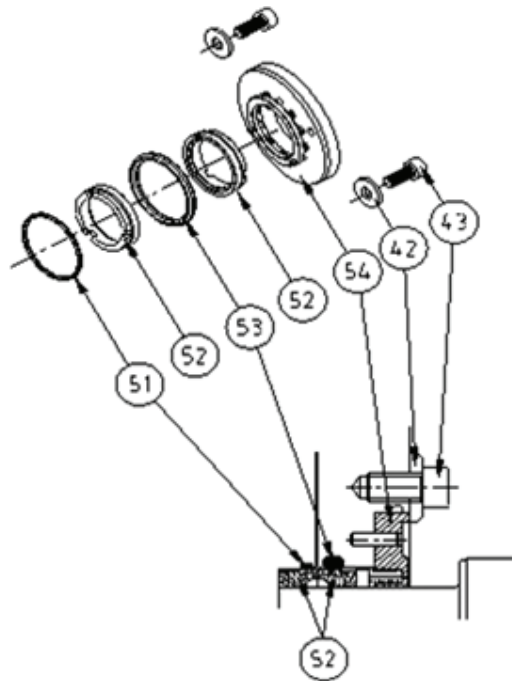
### Triple Lip Seal



Item #	Part #	Description	Material	Used	Qty
43	RZL-440B-MSGWB	wrench bolt, M/Seal gland (M6x10L)	SUS304	RZL400	4
51	RZL-440B-RTORB	O-ring, rotor (AN151)	nitrile rubber		2
	RZL-440B-RTORE	O-ring, rotor (AN151)	EPDM		2
	RZL-440B-RTORV	O-ring, rotor (AN151)	FKM		2
55	RZL-440B-TRPLSC	triple lip seal, product	PTFE + copper		2
	RZL-440B-TRPLS	triple lip seal, product	PTFE + glass		2
56	RZL-440B-LSC	lip seal cover	SUS304		2
57	RZL-440B-CERCS	ceramic coated sleeve, product	ceramic/304	2	

## RZL-Series Rotary Lobe Pump - 400 Series Bill of Materials

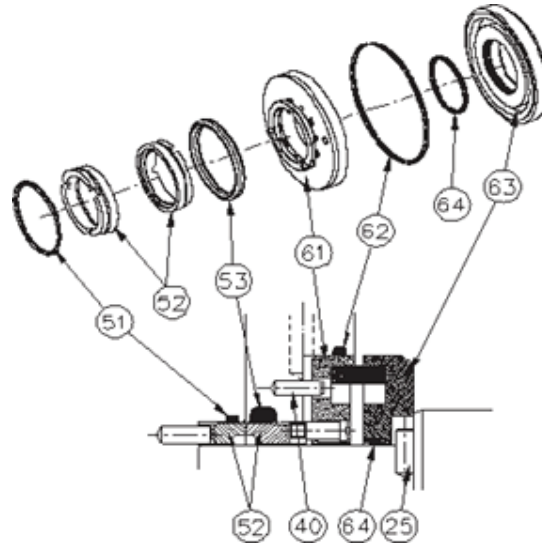
### Single Mechanical Seal



Item #	Part #	Description	Material	Used	Qty
42	RZL-440B-MSGFW	flat washer, M/Seal gland (φ6)	SUS304	RZL400	4
43	RZL-440B-MSGWB	wrench bolt, M/Seal gland (M6x10L)	SUS304		4
51	RZL-440B-RTORB	O-ring, rotor (AN151)	nitrile rubber		2
	RZL-440B-RTORE	O-ring, rotor (AN151)	EPDM		2
	RZL-440B-RTORV	O-ring, rotor (AN151)	FKM	2	
52	RZL-440B-TCSEAL	seal ring	TC	RZL450	4
53	RZL-440B-RCORB	O-ring, rotor case (AN234)	nitrile rubber	RZL400	2
	RZL-440B-RCORE	O-ring, rotor case (AN234)	EPDM		2
	RZL-440B-RCORV	O-ring, rotor case (AN234)	FKM		2
54	RZL-440B-CSSB	single seal body, case	SUS304		2

## RZL-Series Rotary Lobe Pump - 400 Series Bill of Materials

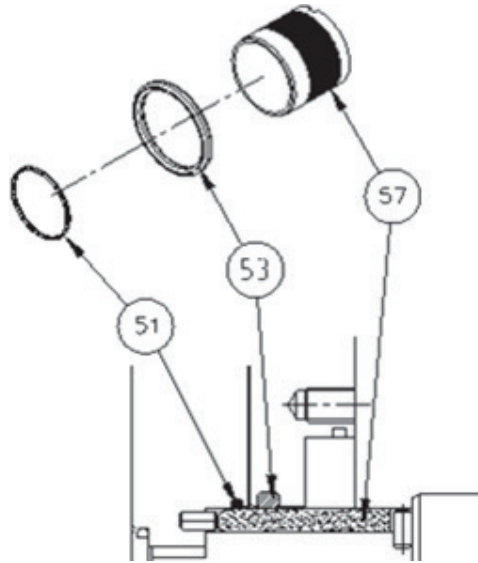
### Double Mechanical Seal



Item #	Part #	Description	Material	Used	Qty
51	RZL-440B-RTORB	O-ring, rotor (AN151)	nitrile rubber	RZL400	2
	RZL-440B-RTORE	O-ring, rotor (AN151)	EPDM		2
	RZL-440B-RTORV	O-ring, rotor (AN151)	FKM		2
52	RZL-440B-TCSEAL	seal ring	TC	RZL450	4
53	RZL-440B-RCORB	O-ring, rotor case (AN234)	nitrile rubber	RZL400	2
	RZL-440B-RCORE	O-ring, rotor case (AN234)	EPDM		2
	RZL-440B-RCORV	O-ring, rotor case (AN234)	FKM		2
61	RZL-440B-CDSBTC	double seal body, case	TC/SUS304	RZL400	2
	RZL-440B-CDHPTC	double seal body, case, high pressure	TC/SUS304		2
62	RZL-440B-CORDSB	O-ring, case, double seal (AN045)	nitrile rubber	RZL400	2
	RZL-440B-CORDSE	O-ring, case, double seal (AN045)	EPDM		2
	RZL-440B-CORDSV	O-ring, case, double seal (AN045)	FKM		2
63	RZL-440B-SDSBC	rotation part, double seal, shaft	carbon/SUS304	RZL400	2
64	RZL-440B-SORDSB	O-ring, shaft, double seal (AN038)	nitrile rubber	RZL400	2
	RZL-440B-SORDSE	O-ring, shaft, double seal (AN038)	EPDM		2
	RZL-440B-SORDSV	O-ring, shaft, double seal (AN038)	FKM		2

## RZL-Series Rotary Lobe Pump - 400 Series Bill of Materials

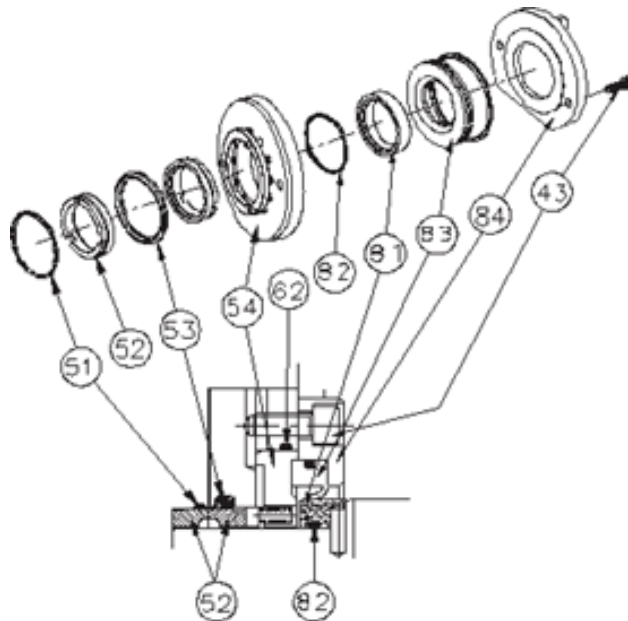
### Single O-ring Seal



Item #	Part #	Description	Material	Used	Qty
51	RZL-440B-RTORB	O-ring, rotor (AN151)	nitrile rubber	RZL 400	2
	RZL-440B-RTORE	O-ring, rotor (AN151)	EPDM		2
	RZL-440B-RTORV	O-ring, rotor (AN151)	FKM		2
53	RZL-440B-RCORB	O-ring, rotor case (AN234)	nitrile rubber		2
	RZL-440B-RCORE	O-ring, rotor case (AN234)	EPDM		2
	RZL-440B-RCORV	O-ring, rotor case (AN234)	FKM		2
57	RZL-440B-CERCS	ceramic coated sleeve	ceramic/ss	2	

## RZL-Series Rotary Lobe Pump - 400 Series Bill of Materials

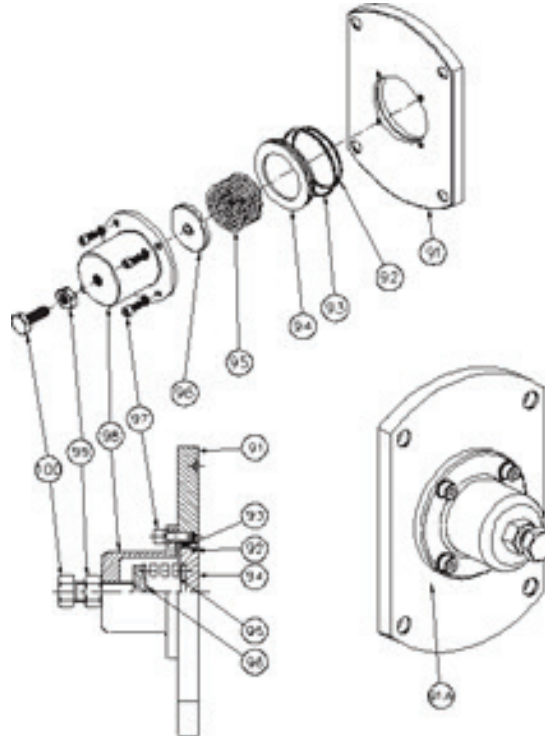
### Single Mechanical Seal with Flush



Item #	Part #	Description	Material	Used	Qty
43	RZL-440B-MSGWB	wrench bolt, lip seal gland (M6x10L)	SUS304	RZL400	4
51	RZL-440B-RTORB	O-ring, rotor (AN151)	nitrile rubber		2
	RZL-440B-RTORE	O-ring, rotor (AN151)	EPDM		2
	RZL-440B-RTORV	O-ring, rotor (AN151)	FKM		2
52	RZL-440B-TCSEAL	seal ring	TC	RZL450	4
53	RZL-440B-RCORB	O-ring, rotor case (AN234)	nitrile rubber	RZL400	2
	RZL-440B-RCORE	O-ring, rotor case (AN234)	EPDM		2
	RZL-440B-RCORV	O-ring, rotor case (AN234)	FKM		2
54	RZL-440B-CSSB	seal base, single mech.	SUS304		4
62	RZL-440B-CORDSB	O-ring, flushed seal, case (AN045)	nitrile rubber	RZL400	2
	RZL-440B-CORDSE	O-ring, flushed seal, case (AN045)	EPDM		2
	RZL-440B-CORDSV	O-ring, flushed seal, case (AN045)	FKM		2
81	RZL-440B-CERFL	ceramic sleeve, flushing	ceramic		2
82	RZL-440B-ORFLB	O-ring, ceramic sleeve, flushing (AN038)	nitrile rubber	RZL400	2
	RZL-440B-ORFLE	O-ring, ceramic sleeve, flushing (AN038)	EPDM		2
	RZL-440B-ORFLV	O-ring, ceramic sleeve, flushing (AN038)	FKM		2
83	RZL-440B-LSFLT	lip seal, flushing	PTFE		4
84	RZL-440B-SLPFLG	gland, lip seal, flushing	SUS304	2	

## RZL-Series Rotary Lobe Pump - 400 Series Bill of Materials

### Pressure Relief Front Cover

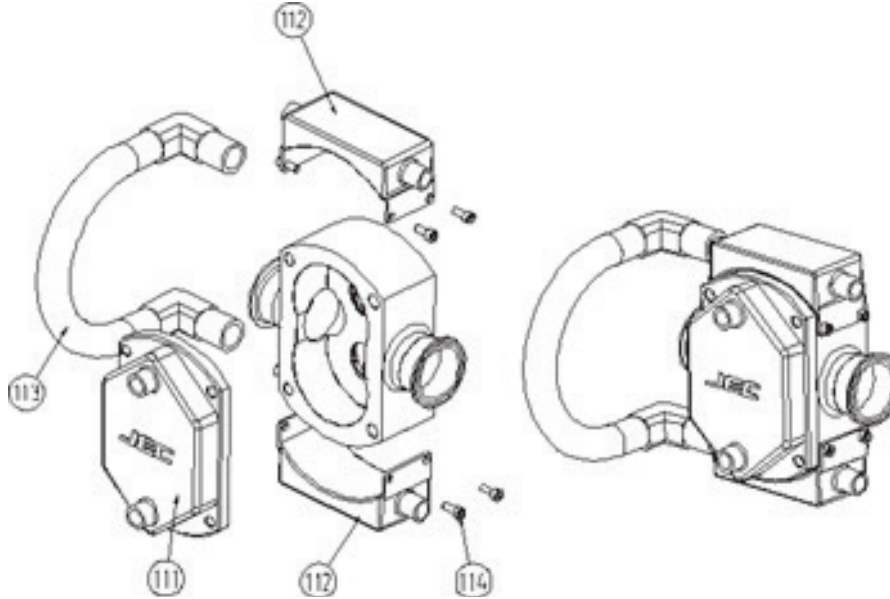


Item #	Part #	Description	Material	Used	Qty
91	RZL-440B-RVFC	front cover, relief valve	SUS316L	RZL400	1
91A	RZL-440B-C	pressure relief front cover assembly	SUS316L		1
92	RZL-440B-OR1B	O-ring, 1 stage, plate (AN252)	nitrile rubber		1
	RZL-440B-OR1E	O-ring, 1 stage, plate (AN252)	EPDM		1
	RZL-440B-OR1V	O-ring, 1 stage, plate (AN252)	FKM		1
93	RZL-440B-OR2B	O-ring, 2 stage, plate (AN249)	nitrile rubber		1
	RZL-440B-OR2E	O-ring, 2 stage, plate (AN249)	EPDM		1
	RZL-440B-OR2V	O-ring, 2 stage, plate (AN249)	FKM		1
94	RZL-440B-VP	plate, valve	SUS316L		1
95	RZL-440B-RVSP	spring	SS41 + Cr		1
96	RZL-440B-SPGP	plate, spring	SUS304		1
97	RZL-440B-RVWB	wrench bolt (M8x25)	SUS304		4
98	RZL-440B-RVC	cover, relief valve	SUS304		1
99	RZL-440B-RVLN	lock nut (M20)	SUS304		1
100	RZL-440B-RVAB	adjusting bolt (M20x80)	SUS304	1	

NOTE: Must supply setting pressure.

**RZL-Series Rotary Lobe Pump - 400 Series Bill of Materials**

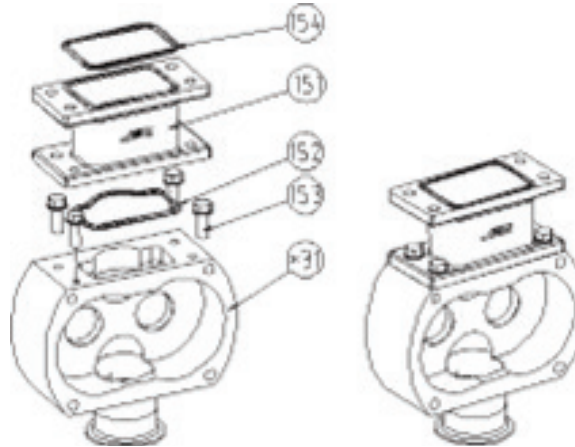
**Jacket Front Cover and Case**



Item #	Part #	Description	Material	Used	Qty
111	RZL-440B-FCJ	front cover jacket	SUS316	RZL400	1
112	RZL-440-CTJ	jacket, case top	SUS304	RZL440	1
	RZL-440-CBJ	jacket, case bottom	SUS304		1
	RZL-450-CTJ	jacket, case top	SUS304	RZL450	1
	RZL-450-CBJ	jacket, case bottom	SUS304		1
113	RZL-440B-JT	tube, jacket	SUS304	RZL400	1
	RZL-440B-JWB	wrench bolt, jacket (M8x15L)	SUS304		8

## RZL-Series Rotary Lobe Pump - 400 Series Bill of Materials

### Rectangular Inlet



Item #	Part #	Description	Material	Used	Qty
31	RZL-440-RCRI2C	rotor case - rect/5" triclamp	SUS316L	RZL400	1
	RZL-440B-RFLG	rotor case - rect/5" flanger	SCS14		1
152	RZL-440B-RIORB	O-ring, rectangular inlet (AN262)	nitrile rubber		1
	RZL-440B-RIOR	O-ring, rectangular inlet (AN262)	EPDM		1
	RZL-440B-RIORV	O-ring, rectangular inlet (AN262)	FKM		4

## RZL-Series Rotary Lobe Pump - 100 Series Repair Kits

### Complete Replacement Seal Kits

Part #	Description	Material
RZL-115B-3E-KIT	triple lip seal repair kit	EPDM
RZL-115B-3V-KIT	triple lip seal repair kit	FKM
Repair kit includes items 51, 55, 56, and 57		
RZL-115B-2E-KIT	single mech. seal repair kit TC/TC	EPDM
RZL-115B-2V-KIT	single mech. seal repair kit TC/TC	FKM
Repair kit includes items 51, 52, and 53		
RZL-115B-4E-KIT	double mech. seal repair kit TC/TC	EPDM
RZL-115B-4V-KIT	double mech. seal repair kit TC/TC	FKM

Repair kit includes items 51, 52, 53, 62, and 64

### Pump Elastomers Only

Part #	Description	Material
RZL-115B-3E-EK	triple lip seal EPDM elastomers	EPDM
RZL-115B-3V-EK	triple lip seal FKM elastomers	FKM
Repair kit includes items 34, 37, 51, and 55		
RZL-115B-2E-EK	single mech. seal EPDM elastomers	EPDM
RZL-115B-2V-EK	single mech. seal FKM elastomers	FKM
Repair kit includes items 34, 37, 51, and 53		
RZL-115B-4E-EK	double mech. seal EPDM elastomers	EPDM
RZL-115B-4V-EK	double mech. seal FKM elastomers	FKM

Repair kit includes items 34, 37, 51, 53, 62, and 64

### Set of TC Seats

Part #	Description	Material
RZL-115B-TC-SET	TC seal ring	-

Repair kit includes item 52

## RZL-Series Rotary Lobe Pump - 200 Series Repair Kits

### Complete Replacement Seal Kits

Part #	Description	Material	Kit Includes
RZL-220B-3E-KIT	triple lip seal repair kit	EPDM	items 51, 55, 56, and 57
RZL-220B-3V-KIT	triple lip seal repair kit	FKM	
RZL-220B-2E-KIT	single mech. seal repair kit TC/TC	EPDM	items 51, 52, and 53
RZL-220B-2V-KIT	single mech. seal repair kit TC/TC	FKM	
RZL-220B-4E-KIT	double mech. seal repair kit TC/TC	EPDM	items 51, 52, 53, 62, and 64
RZL-220B-4V-KIT	double mech. seal repair kit TC/TC	FKM	

### Pump Elastomers Only

Part #	Description	Material	Kit Includes
RZL-220B-3E-EK	triple lip seal EPDM elastomers	EPDM	items 34, 37, 51, and 55
RZL-220B-3V-EK	triple lip seal FKM elastomers	FKM	
RZL-220B-2E-EK	single mech. seal EPDM elastomers	EPDM	items 34, 37, 51, and 53
RZL-220B-2V-EK	single mech. seal FKM elastomers	FKM	
RZL-220B-4E-EK	double mech. seal EPDM elastomers	EPDM	items 34, 37, 51, 53, 62, and 64
RZL-220B-4V-EK	double mech. seal FKM elastomers	FKM	

### Set of TC Seats

Part #	Description	Material	Kit Includes
RZL-220B-TC-SET	TC seal ring	-	item 52

## RZL-Series Rotary Lobe Pump - 300 Series Repair Kits

### Complete Replacement Seal Kits

Part #	Description	Material	Kit Includes
RZL-330B-3E-KIT	triple lip seal repair kit	EPDM	items 51, 55, 56, and 57
RZL-330B-3V-KIT	triple lip seal repair kit	FKM	
RZL-330B-2E-KIT	single mech. seal repair kit TC/TC	EPDM	items 51, 52, and 53
RZL-330B-2V-KIT	single mech. seal repair kit TC/TC	FKM	
RZL-330B-4E-KIT	double mech. seal repair kit TC/TC	EPDM	items 51, 52, 53, 62, and 64
RZL-330B-4V-KIT	double mech. seal repair kit TC/TC	FKM	

### Pump Elastomers Only

Part #	Description	Material	Kit Includes
RZL-330B-3E-EK	triple lip seal elastomers	EPDM	items 34, 37, 51, and 55
RZL-330B-3V-EK	triple lip seal elastomers	FKM	
RZL-330B-2E-EK	single mech. seal elastomers	EPDM	items 34, 37, 51, and 53
RZL-330B-2V-EK	single mech. seal elastomers	FKM	
RZL-330B-4E-EK	double mech. seal elastomers	EPDM	items 34, 37, 51, 53, 62, and 64
RZL-330B-4V-EK	double mech. seal elastomers	FKM	

### Set of TC Seats

Part #	Description	Material	Kit Includes
RZL-330B-TC-SET	TC seal ring	-	item 52

## RZL-Series Rotary Lobe Pump - 400 Series Repair Kits

### Complete Replacement Seal Kits

Part #	Description	Material	Kit Includes
RZL-440B-3E-KIT	triple lip seal repair kit	EPDM	items 51, 55, 56, and 57
RZL-440B-3V-KIT	triple lip seal repair kit	FKM	
RZL-440B-2E-KIT	single mech. seal repair kit TC/TC	EPDM	items 51, 52, and 53
RZL-440B-2V-KIT	single mech. seal repair kit TC/TC	FKM	
RZL-440B-4E-KIT	double mech. seal repair kit TC/TC	EPDM	items 51, 52, 53, 62, and 64
RZL-440B-4V-KIT	double mech. seal repair kit TC/TC	FKM	

### Pump Elastomers Only

Part #	Description	Material	Kit Includes
RZL-440B-3E-EK	triple lip seal elastomers	EPDM	items 34, 37, 51, and 55
RZL-440B-3V-EK	triple lip seal elastomers	FKM	
RZL-440B-2E-EK	single mech. seal elastomers	EPDM	items 34, 37, 51, and 53
RZL-440B-2V-EK	single mech. seal elastomers	FKM	
RZL-440B-4E-EK	double mech. seal elastomers	EPDM	items 34, 37, 51, 53, 62, and 64
RZL-440B-4V-EK	double mech. seal elastomers	FKM	

### Set of TC Seats

Part #	Description	Material	Kit Includes
RZL-440B-TC-SET	TC seal ring	-	item 52



## Limited Warranty

DIXON VALVE & COUPLING COMPANY, LLC (herein called "Dixon") warrants the products described herein and manufactured by Dixon to be free from defects in material and workmanship for a period of one (1) year from date of shipment by Dixon under normal use and service. Its sole obligation under this warranty being limited to repairing or replacing, as hereinafter provided, at its option any product found to Dixon's satisfaction to be defective upon examination by it, provided that such product shall be returned for inspection to Dixon's factory within three (3) months after discovery of the defect. The repair or replacement of defective products will be made without charge for parts or labor. This warranty shall not apply to: (a) parts or products not manufactured by Dixon, the warranty of such items being limited to the actual warranty extended to Dixon by its supplier; (b) any product that has been subject to abuse, negligence, accident, or misapplication; (c) any product altered or repaired by others than Dixon; and (d) normal maintenance services and the replacement of service items (such as washers, gaskets, and lubricants) made in connection with such services. To the extent permitted by law, this limited warranty shall extend only to the buyer and any other person reasonably expected to use or consume the goods who is injured in person by any breach of the warranty. No action may be brought against Dixon for an alleged breach of warranty unless such action is instituted within one (1) year from the date the cause of action accrues. This limited warranty shall be construed and enforced to the fullest extent allowable by applicable law.

Other than the obligation of Dixon set forth herein, Dixon disclaims all warranties, express or implied, including but not limited to any implied warranties of merchantability or fitness for a particular purpose, and any other obligation or liability. The foregoing constitutes Dixon's sole obligation with respect to damages, whether direct, incidental, or consequential, resulting from the use or performance of the product.

Some products and sizes may be discontinued when stock is depleted or may require a minimum quantity for ordering.

## Limits of Liability

This brochure is intended as a product offering. It is not intended to be a user or technical manual. Information in this brochure is subject to change without notice. All users and distributors of products sold through this brochure should contact Dixon with questions of use, compatibilities, coupling procedures, and life of product. Our full-time engineering and test staff are always available to recommend uses and to assist distributors and users with any questions.



### Safety



Safety logos, which appear throughout our catalog, are used as a reminder that the user should carefully review for the appropriateness of the product for the media, application, and environment in which it will be used.

NOTE: Because of the health hazards associated with contamination and lead content in drinking water systems, Dixon couplings, unless otherwise specifically approved, are not recommended for potable water service and should not be used in applications where drinking water will contact the wetted surfaces of the coupling.

All Dixon products are shipped in cartons with the following warning:

**"WARNING:** This product contains lead, a chemical known to the State of California to cause cancer and birth defects or other reproductive harm."

## Trademark

Delrin® and Zytel® are registered trademarks of E. I. du Pont Nemours and Company.

Kalrez® is a registered trademark of DuPont Dow Elastomers.

All other trademarks appearing in the Dixon illustrated product list are the property of their respective owners.

## Copyright

Copyright © 2025 by Dixon Valve & Coupling Company, LLC

All rights reserved. This book is copyrighted material. Use, reproduction or copying of it by anyone other than Dixon® is strictly forbidden without its express written consent.

NOTE: Reasonable care has been taken in preparing this catalog. Dixon Valve & Coupling Company, LLC reserves the right to make corrections.

