

SJSS-Series Swivel



Applications

- Used when a rotation is required between two connecting lines
- They are found in the food processing, beverage, dairy, personal care, winery, brewery, pet product, and industrial markets

Sizes

- 1", 1-1/2", 2", 2-1/2", 3", 4"

Features

- 3A certified for COP
- Easy assembly/disassembly
- Multiple body styles for greater process flexibility

Materials



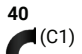



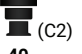





- Product contact metal components: 316L stainless steel
- Non-product contact metal components: 304 stainless steel
- Product contact seals: PTFE and (EPDM or FKM)

Specifications

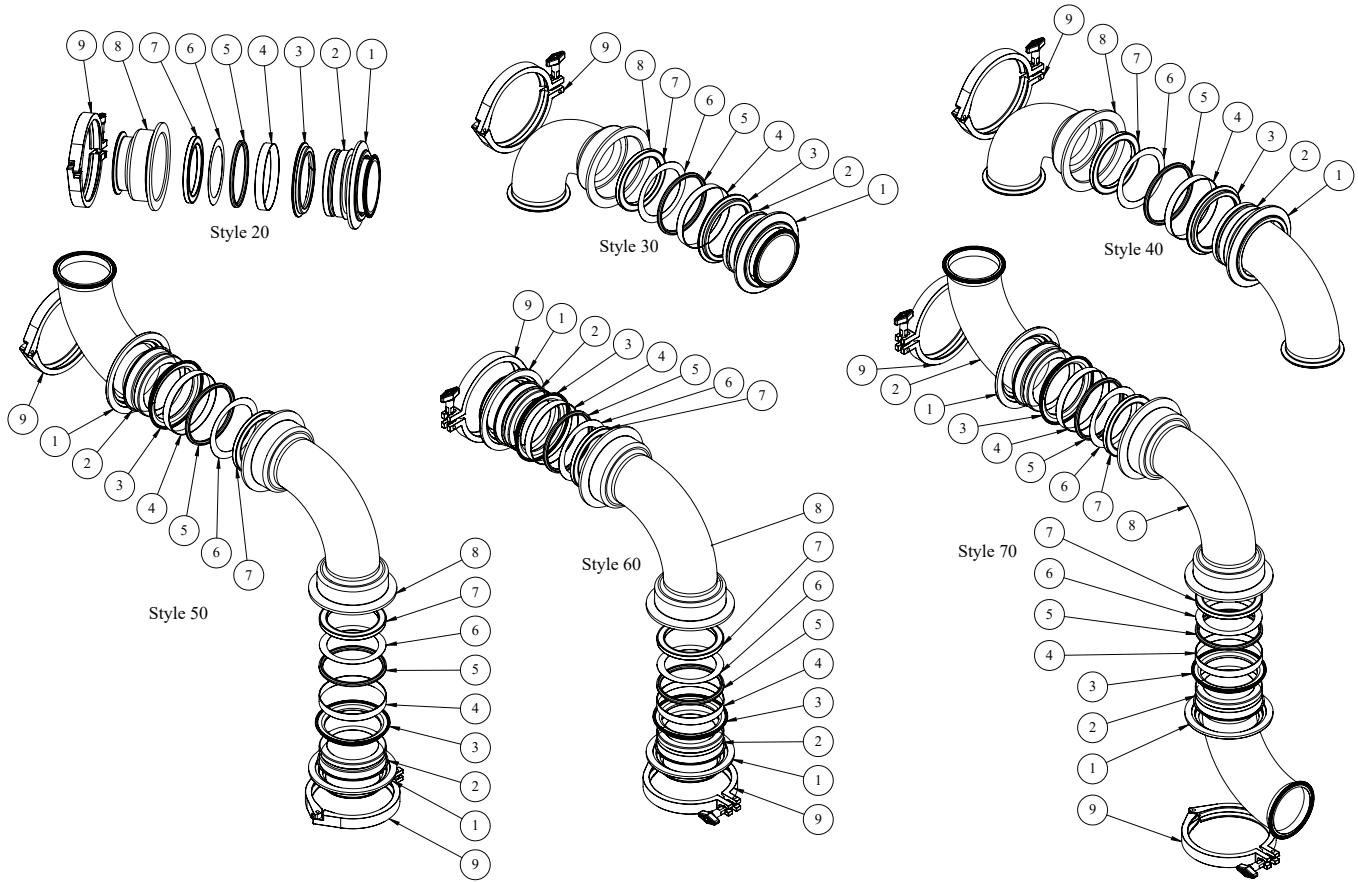
- Standard connections: triclamp, buttweld
- Maximum pressure at 70°F (21°C)
 - 1": **500 PSI**
 - 1-1/2": **500 PSI**
 - 2": **450 PSI**
 - 2-1/2": **400 PSI**
 - 3": **350 PSI**
 - 4": **300 PSI**
- Maximum pressure at 200°F (93°C)
 - 1": **300 PSI**
 - 1-1/2": **300 PSI**
 - 2": **250 PSI**
 - 2-1/2": **200 PSI**
 - 3": **175 PSI**
 - 4": **150 PSI**
- Maximum operating temperature: **200°F (93°C)**
- Materials of construction
- Surface finish
 - Product contact metal components: ≤ 32 Ra
 - Non-product contact metal components: ≤ 63 Ra



SJSS-Series Swivel - Part Number Key

SJSS-Series Swivel Part Number Key Ex: SJSS100ECC120B		Series	Size	Gasket	End One Connection	End Two Connection	Surface Finish	Style	Clamp
		SJSS	100	E	C	C	1	20	B
Series	Code								
SJSS	SJSS								
Size	Code								
1"	100								
1-1/2"	150								
2"	200								
2-1/2"	250								
3"	300								
4"	400								
Elastomer	Code								
EPDM	E								
Silicone	S								
Body One Connection (C1)	Code								
Clamp (standard)	C								
Weld	B								
Female I-line	F								
Male I-line	M								
Threaded bevel	T								
Plain bevel with nut	P								
Q-line	Q								
Body Two Connection (C2)	Code								
Clamp (standard)	C								
Weld	B								
Female I-line	F								
Male I-line	M								
Threaded bevel	T								
Plain bevel with nut	P								
Q-line	Q								
Surface Finish	Code								
32 Ra (I.D. mechanical polished)	1								
25 Ra (I.D. mechanical polished)	2								
20 Ra (I.D. mechanical polished)	3								
15 Ra (I.D. mechanical polished)	4								
10 Ra (I.D. mechanical polished)	5								
Styles	Code								
 (C1)	20								
 (C1)	30								
 (C1)	40								
 (C1)	50								
 (C1)	60								
 (C1)	70								
 (C2)	20								
 (C2)	30								
 (C2)	40								
 (C2)	50								
 (C2)	60								
 (C2)	70								
Clamp	Code								
Single-pin clamp (standard)	blank								
Bolted clamp	B								

SJSS-Series Swivel - Bill of Materials



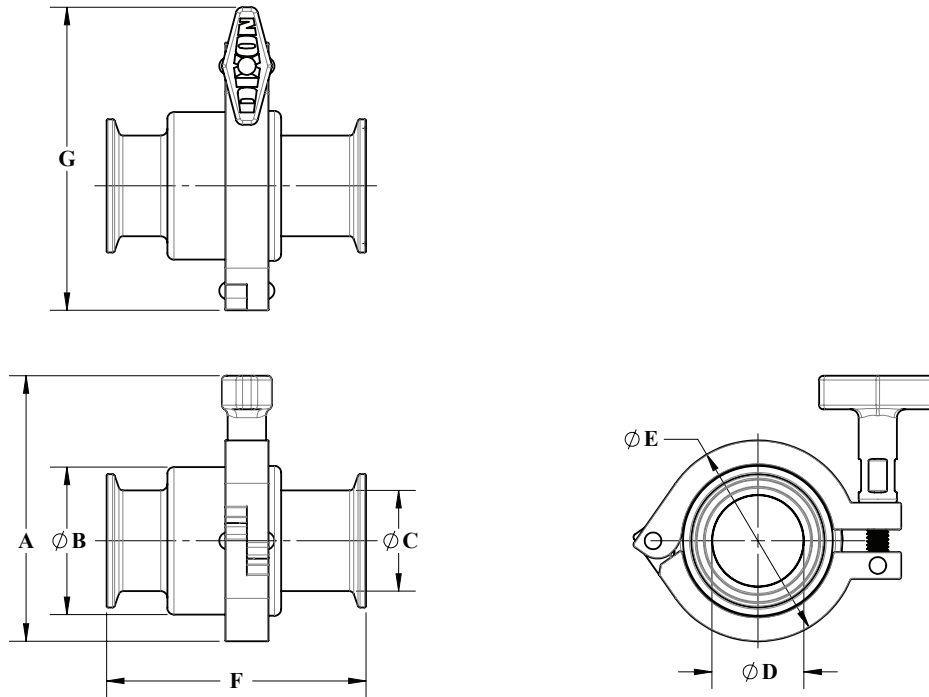
Item #	Part Number	Description	Material	Qty						
				Style 20	Style 30	Style 40	Style 50	Style 60	Style 70	
1	SJSS-32CP5-___	Upper body	316L	1	1	1	2	2	2	
2	SJSS-32CP3-___	Inner body - clamp	316L	1	1	-	1	2	-	
	SJSS-32CP1-___	Inner body - weld	316L		-	-	-	-	-	
	SJSS-32CP6-___	Inner body - clamp elbow	316L		-	-	1	1	-	2
3	SJSS-PSEAT-P___	Upper body seat	PTFE	1	1	1	2	2	2	
4	SJSS-32CP3B-400	Inner body bushing *	POM	1	1	1	2	2	2	
5	SJSS-INBG-E___	Inner body gasket	EPDM or Silicone	1	1	1	2	2	2	
	SJSS-INBG-S___									
6	SJSS-LBWSH-___	Lower body washer	PTFE	1	1	1	2	2	2	
7	SJSS-OUTBG-E___	Outer body gasket	EPDM or Silicone	1	1	1	2	2	2	
	SJSS-OUTBG-S___									
8	SJSS-32CP4-___	Outer body - clamp	316L	1	-	-	-	-	-	
	SJSS-32CP2-___	Outer body - weld	316L		-	-	-	-	-	
	SJSS-32CP7-___	Outer body - clamp elbow	316L		-	1	1	-	-	-
	SJSS-32CP8-___	Outer body x outer body elbow	316L		-	-	-	1	1	1
9	SJSSMHHM-__	Body clamp	304	1	1	1	2	2	2	

* Only used on 4" size

‡ Part number size key: 1" = 100, 1-1/2" = 150, 2" = 200, 2-1/2" = 250, 3" = 300, 4" = 400

SJSS-Series Swivel - Dimensions

Style 20



Clamp Dimensions

Size	A (in)	B (in)	C (in)	D (in)	E (in)	F (in)	G (in)
1"	3.56	1.68	1.00	0.87	2.42	3.86	3.93
1-1/2"	3.96	2.20	1.50	1.37	2.99	3.87	4.51
2"	4.14	2.71	2.00	1.87	3.48	3.84	5.09
2-1/2"	4.48	3.23	2.50	2.37	3.98	3.84	5.57
3"	5.08	4.26	3.00	2.87	5.08	3.84	6.82
4"	7.03	5.31	4.00	3.83	7.03	4.97	9.21

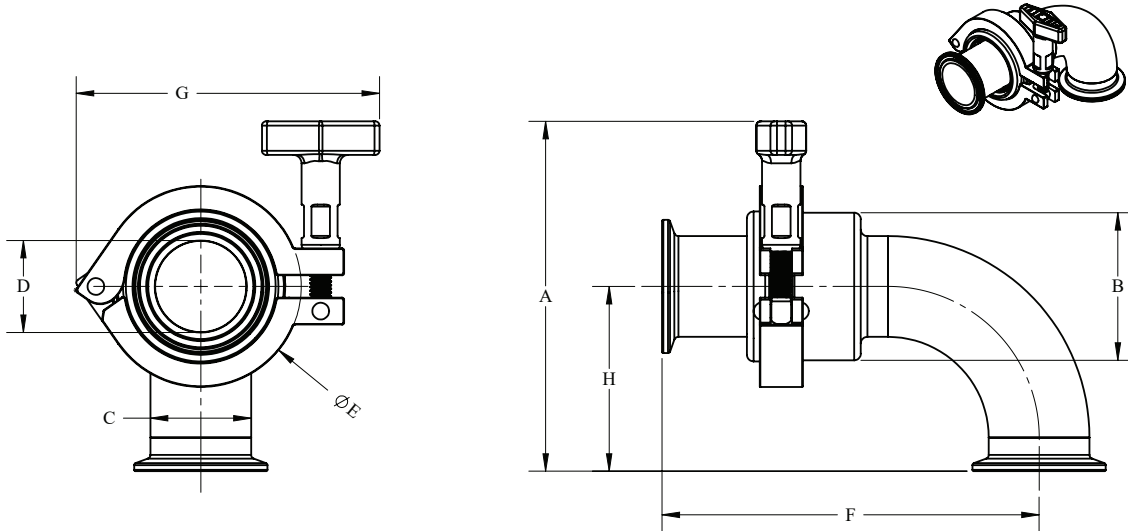
Weld Dimensions

Size	A (in)	B (in)	C (in)	D (in)	E (in)	F (in)	G (in)
1"	3.56	1.68	1.00	0.87	2.42	2.24	3.93
1-1/2"	3.96	2.20	1.50	1.37	2.99	2.24	4.51
2"	4.14	2.71	2.00	1.87	3.48	2.22	5.09
2-1/2"	4.48	3.23	2.50	2.37	3.98	2.22	5.57
3"	5.08	4.26	3.00	2.87	5.08	2.21	6.82
4"	7.03	5.31	4.00	3.83	7.03	3.22	9.21

NOTE: Drawing is not to scale

SJSS-Series Swivel - Dimensions

Style 30



Clamp Dimensions

Size	A (in)	B (in)	C (in)	D (in)	E (in)	F (in)	G (in)	H (in)
1"	4.35	1.68	1.00	0.87	2.42	4.86	3.93	2.00
1-1/2"	5.21	2.20	1.50	1.37	2.99	5.62	4.51	2.75
2"	5.90	2.71	2.00	1.87	3.48	6.34	5.09	3.50
2-1/2"	6.47	3.23	2.50	2.37	3.98	7.08	5.57	4.25
3"	7.41	4.26	3.00	2.87	5.08	7.84	6.82	5.00
4"	9.18	5.31	4.00	3.83	7.03	9.69	9.21	6.63

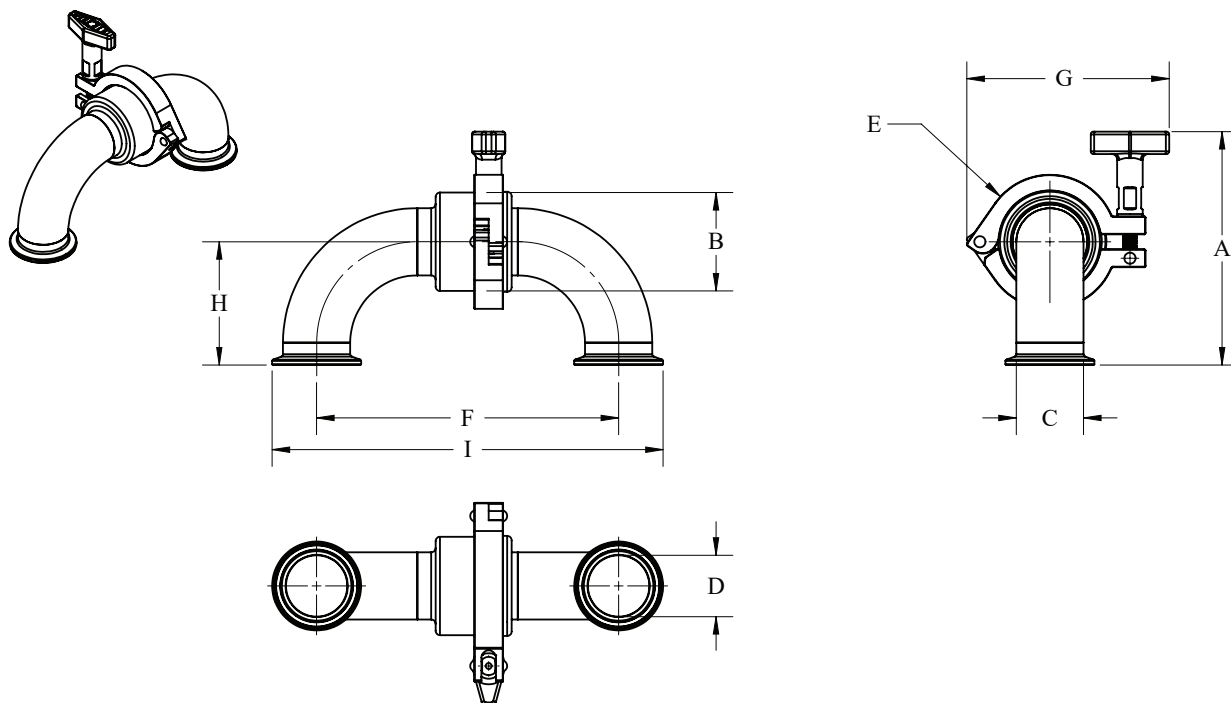
Weld Dimensions

Size	A (in)	B (in)	C (in)	D (in)	E (in)	F (in)	G (in)	H (in)
1"	3.85	1.68	1.00	0.87	2.42	3.77	3.93	1.50
1-1/2"	4.71	2.20	1.50	1.37	2.99	4.52	4.51	2.25
2"	5.40	2.71	2.00	1.87	3.48	5.20	5.09	3.00
2-1/2"	6.24	3.23	2.50	2.37	3.98	6.03	5.57	3.75
3"	6.91	4.26	3.00	2.87	5.08	6.75	6.82	4.50
4"	9.18	5.31	4.00	3.83	7.03	9.28	9.21	6.00

NOTE: Drawing is not to scale

SJSS-Series Swivel - Dimensions

Style 40



Clamp Dimensions

Size	A (in)	B (in)	C (in)	D (in)	E (in)	F (in)	G (in)	H (in)	I (in)
1"	4.35	1.68	1.00	0.87	2.42	5.27	3.93	2.00	7.26
1-1/2"	5.20	2.20	1.50	1.37	2.99	6.70	4.51	2.80	8.70
2"	5.90	2.71	2.00	1.87	3.48	8.20	5.09	3.50	10.70
2-1/2"	6.74	3.23	2.50	2.37	3.98	9.70	5.57	4.25	12.75
3"	7.41	4.26	3.00	2.87	5.08	11.15	6.82	5.00	14.73
4"	9.18	5.31	4.00	3.83	7.03	15.28	9.21	6.63	19.96

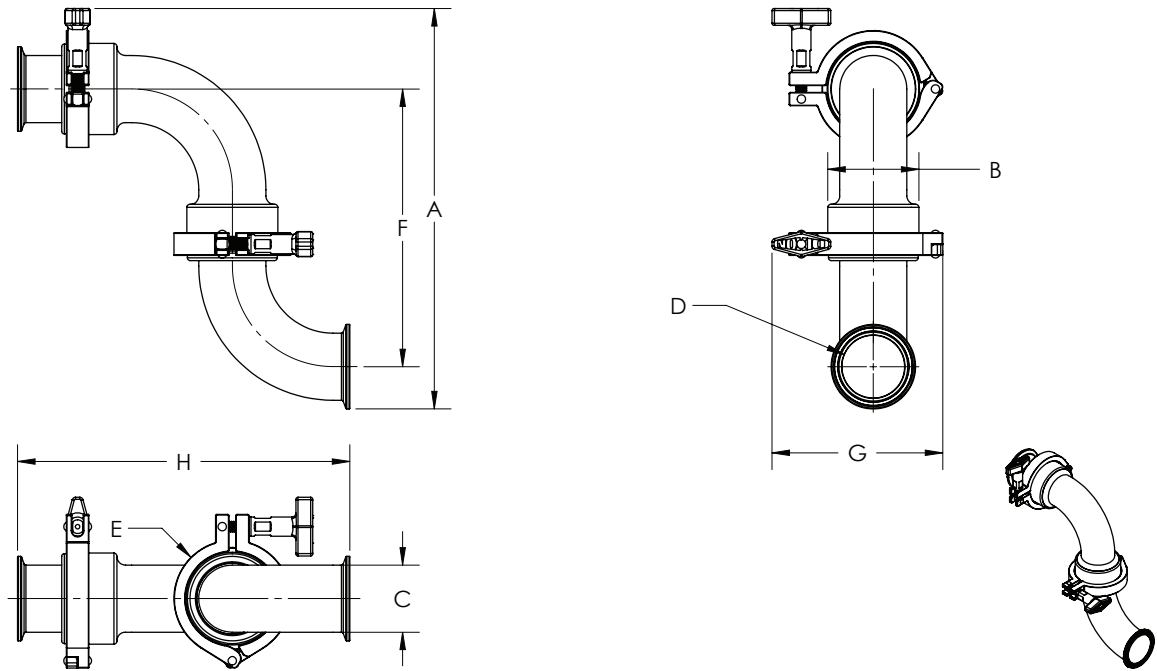
Weld Dimensions

Size	A (in)	B (in)	C (in)	D (in)	E (in)	F (in)	G (in)	H (in)	I (in)
1"	3.85	1.68	1.00	0.87	2.42	5.27	3.93	1.50	6.27
1-1/2"	4.71	2.20	1.50	1.37	2.99	6.70	4.51	2.25	8.24
2"	5.40	2.71	2.00	1.87	3.48	8.20	5.09	3.00	9.75
2-1/2"	6.24	3.23	2.50	2.37	3.98	9.70	5.57	3.75	12.20
3"	6.91	4.26	3.00	2.87	5.08	11.15	6.82	4.50	14.15
4"	8.55	5.31	4.00	3.83	7.03	15.28	9.21	6.00	19.20

NOTE: Drawing is not to scale

SJSS-Series Swivel - Dimensions

Style 50



Clamp Dimensions

Size	A (in)	B (in)	C (in)	D (in)	E (in)	F (in)	G (in)	H (in)
1"	8.62	1.68	1.00	0.87	2.42	5.27	3.93	6.90
1-1/2"	10.19	2.20	1.50	1.37	2.99	6.74	4.51	8.37
2"	11.93	2.71	2.00	1.87	3.48	8.27	5.09	9.90
2-1/2"	13.71	3.23	2.50	2.37	3.98	9.70	5.57	11.40
3"	15.47	4.26	3.00	2.87	5.08	11.27	6.82	12.78
4"	20.17	5.31	4.00	3.83	7.03	15.28	9.21	16.95

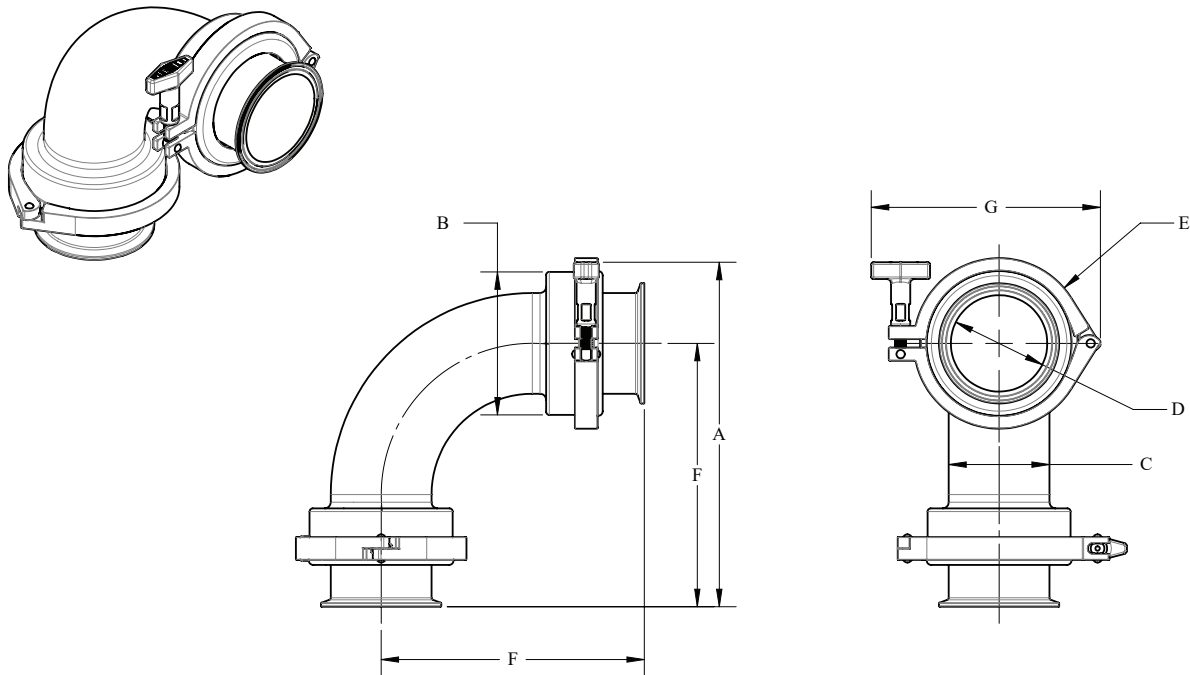
Weld Dimensions

Size	A (in)	B (in)	C (in)	D (in)	E (in)	F (in)	G (in)	H (in)
1"	8.13	1.68	1.00	0.87	2.42	5.27	3.93	5.27
1-1/2"	9.98	2.20	1.50	1.37	2.99	6.74	4.51	6.77
2"	11.68	2.71	2.00	1.87	3.48	8.27	5.09	8.29
2-1/2"	13.43	3.23	2.50	2.37	3.98	9.70	5.57	9.70
3"	15.30	4.26	3.00	2.87	5.08	11.27	6.82	11.27
4"	19.76	5.31	4.00	3.83	7.03	15.28	9.21	15.20

NOTE: Drawing is not to scale

SJSS-Series Swivel - Dimensions

Style 60



Clamp Dimensions

Size	A (in)	B (in)	C (in)	D (in)	E (in)	F (in)	G (in)
1"	7.25	1.68	1.00	0.87	2.42	4.90	3.93
1-1/2"	8.07	2.20	1.50	1.37	2.99	5.62	4.51
2"	8.81	2.71	2.00	1.87	3.48	6.41	5.09
2-1/2"	9.64	3.23	2.50	2.37	3.98	7.15	5.57
3"	10.25	4.26	3.00	2.87	5.08	7.84	6.82
4"	12.96	5.31	4.00	3.83	7.03	10.41	9.21

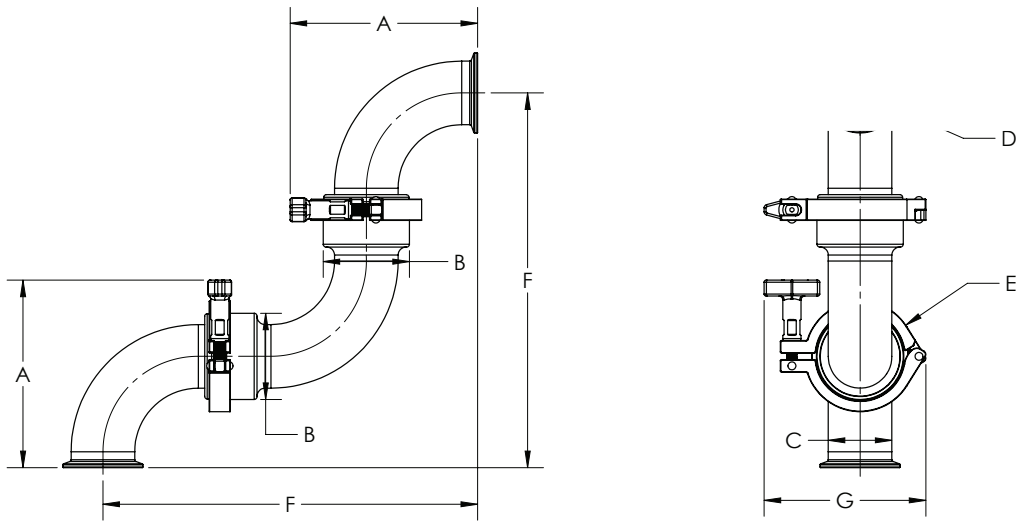
Weld Dimensions

Size	A (in)	B (in)	C (in)	D (in)	E (in)	F (in)	G (in)
1"	6.13	1.68	1.00	0.87	2.42	3.77	3.93
1-1/2"	6.98	2.20	1.50	1.37	2.99	4.52	4.51
2"	7.68	2.71	2.00	1.87	3.48	5.29	5.09
2-1/2"	8.52	3.23	2.50	2.37	3.98	6.03	5.57
3"	9.18	4.26	3.00	2.87	5.08	6.77	6.82
4"	11.83	5.31	4.00	3.83	7.03	9.28	9.21

NOTE: Drawing is not to scale

SJSS-Series Swivel - Dimensions

Style 70



Clamp Dimensions

Size	A (in)	B (in)	C (in)	D (in)	E (in)	F (in)	G (in)
1"	4.35	1.68	1.00	0.87	2.42	7.27	3.93
1-1/2"	5.21	2.20	1.50	1.37	2.99	9.49	4.51
2"	5.90	2.71	2.00	1.87	3.48	11.79	5.09
2-1/2"	6.74	3.23	2.50	2.37	3.98	14.03	5.57
3"	7.41	4.26	3.00	2.87	5.08	16.27	6.82
4"	9.18	5.31	4.00	3.83	7.03	21.91	9.21

Weld Dimensions

Size	A (in)	B (in)	C (in)	D (in)	E (in)	F (in)	G (in)
1"	3.85	1.68	1.00	0.87	2.42	6.77	3.93
1-1/2"	4.71	2.20	1.50	1.37	2.99	8.99	4.51
2"	5.40	2.71	2.00	1.87	3.48	11.29	5.09
2-1/2"	6.24	3.23	2.50	2.37	3.98	13.53	5.57
3"	6.91	4.26	3.00	2.87	5.08	15.77	6.82
4"	8.55	5.31	4.00	3.83	7.03	21.28	9.21

NOTE: Drawing is not to scale

SJSS-Series Swivel - Repair Kits

Size	Silicone Part Number	EPDM Part Number	Repair Kit Qty Required					
			Style 20	Style 30	Style 40	Style 50	Style 60	Style 70
1"	SJSS-REPAR-S100	SJSS-REPAR-E100	1	1	1	2	2	2
1-1/2"	SJSS-REPAR-S150	SJSS-REPAR-E150						
2"	SJSS-REPAR-S200	SJSS-REPAR-E200						
2-1/2"	SJSS-REPAR-S250	SJSS-REPAR-E250						
3"	SJSS-REPAR-S300	SJSS-REPAR-E300						
4"	SJSS-REPAR-S400	SJSS-REPAR-E400						

Kit contains: item #3 (qty 1), item #5 (qty 1), #6 (qty 1), and #7 (qty 1); 4" additionally contains #4 (qty 1)

Limited Warranty

DIXON VALVE & COUPLING COMPANY, LLC (herein called "Dixon") warrants the products described herein and manufactured by Dixon to be free from defects in material and workmanship for a period of one (1) year from date of shipment by Dixon under normal use and service. Its sole obligation under this warranty being limited to repairing or replacing, as hereinafter provided, at its option any product found to Dixon's satisfaction to be defective upon examination by it, provided that such product shall be returned for inspection to Dixon's factory within three (3) months after discovery of the defect. The repair or replacement of defective products will be made without charge for parts or labor. This warranty shall not apply to: (a) parts or products not manufactured by Dixon, the warranty of such items being limited to the actual warranty extended to Dixon by its supplier; (b) any product that has been subject to abuse, negligence, accident, or misapplication; (c) any product altered or repaired by others than Dixon; and (d) normal maintenance services and the replacement of service items (such as washers, gaskets, and lubricants) made in connection with such services. To the extent permitted by law, this limited warranty shall extend only to the buyer and any other person reasonably expected to use or consume the goods who is injured in person by any breach of the warranty. No action may be brought against Dixon for an alleged breach of warranty unless such action is instituted within one (1) year from the date the cause of action accrues. This limited warranty shall be construed and enforced to the fullest extent allowable by applicable law.

Other than the obligation of Dixon set forth herein, Dixon disclaims all warranties, express or implied, including but not limited to any implied warranties of merchantability or fitness for a particular purpose, and any other obligation or liability. The foregoing constitutes Dixon's sole obligation with respect to damages, whether direct, incidental, or consequential, resulting from the use or performance of the product.

Some products and sizes may be discontinued when stock is depleted or may require a minimum quantity for ordering.

Limits of Liability

This brochure is intended as a product offering. It is not intended to be a user or technical manual. Information in this brochure is subject to change without notice. All users and distributors of products sold through this brochure should contact Dixon with questions of use, compatibilities, coupling procedures, and life of product. Our full-time engineering and test staff are always available to recommend uses and to assist distributors and users with any questions.



Safety



Safety logos, which appear throughout our catalog, are used as a reminder that the user should carefully review for the appropriateness of the product for the media, application, and environment in which it will be used.

NOTE: Because of the health hazards associated with contamination and lead content in drinking water systems, Dixon couplings, unless otherwise specifically approved, are not recommended for potable water service and should not be used in applications where drinking water will contact the wetted surfaces of the coupling.

All Dixon products are shipped in cartons with the following warning:

"WARNING: This product contains lead, a chemical known to the State of California to cause cancer and birth defects or other reproductive harm."

Trademark

Delrin® and Zytel® are registered trademarks of E.I. du Pont Nemours and Company.

Kalrez® is a registered trademark of DuPont Dow Elastomers.

All other trademarks appearing in the Dixon illustrated product list are the property of their respective owners.

Copyright

Copyright © 2025 by Dixon Valve & Coupling Company, LLC

All rights reserved. This book is copyrighted material. Use, reproduction or copying of it by anyone other than Dixon® is strictly forbidden without its express written consent.

NOTE: Reasonable care has been taken in preparing this catalog. Dixon Valve & Coupling Company, LLC reserves the right to make corrections.

