

Dixon® Supports Your Liquid Cooling Infrastructure

Contractors, distributors, and integrators rely on Dixon for dependable fluid transfer solutions that support high-performance liquid cooling systems. Our stainless steel fittings, valves, clamps, manifolds, and connection technologies integrate cleanly into direct-to-chip, rear-door heat exchanger, and secondary loop architectures, helping ensure efficient fluid movement and system consistency. Backed by engineering support, global inventory availability, and responsive service, Dixon helps simplify installation and support long-term system performance.



SERVICE

As a trusted global partner, Dixon® provides responsive service with a commitment to quality for 100+ years.



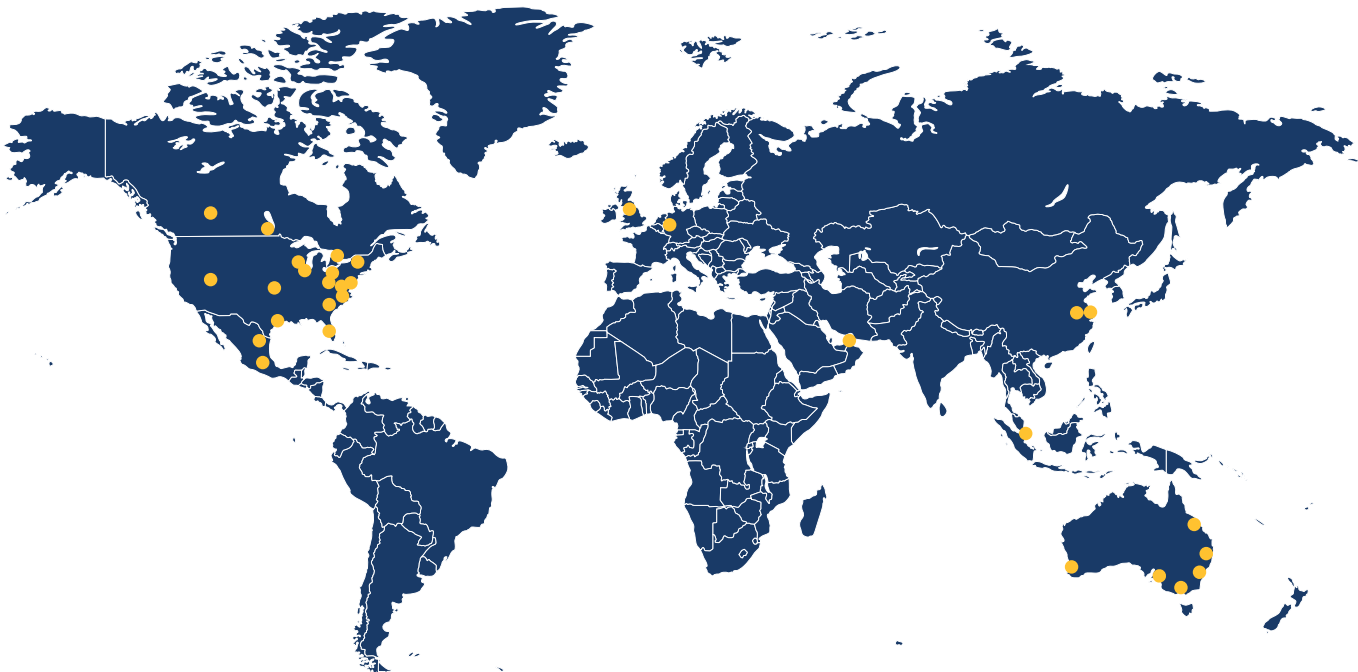
QUALITY MANUFACTURING

We provide engineered thermal management and data cooling solutions that ensure system reliability and performance.



PRODUCT OFFERINGS

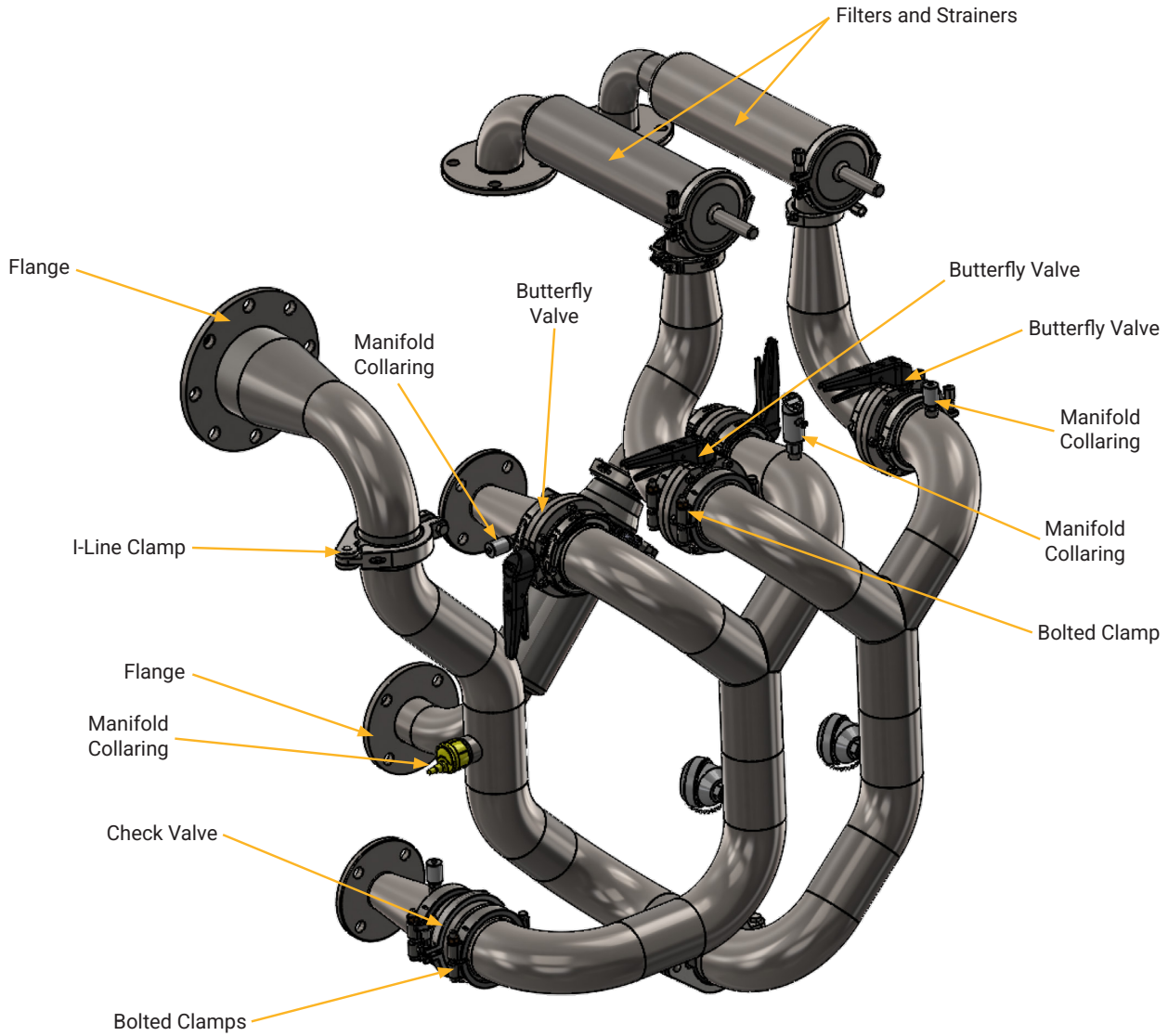
With a global sourcing network supported by strategically located warehouses, we can help our customers stay cool, connected, and competitive – anywhere in the world.



Custom Engineered Cooling Solutions

Dixon supports modern liquid-cooling architectures with connection technologies designed for reliability, serviceability, and clean integration into high-density thermal management systems.

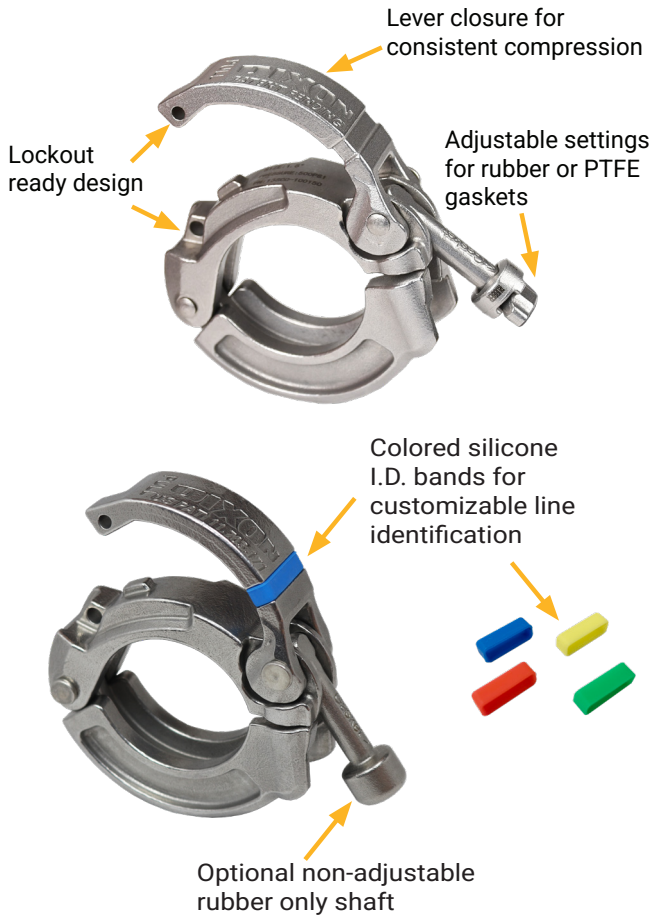
CDU Rack Assembly



Delivering custom-engineered cooling solutions and components that directly address the unique heat dissipation challenges of data centers.

Industry-Specific Innovations in Action

13SCC-Series Clever Clamp®



Connection Security. Maintenance Control. System Reliability.

The Clever Clamp provides a secure, tamper-resistant clamp connection designed to support consistent clamp compression and joint integrity throughout system operation.

Compatible with standard sanitary clamps, the Clever Clamp integrates easily into chilled water and glycol circuits without requiring changes to existing fittings or gaskets.

Features & Specifications

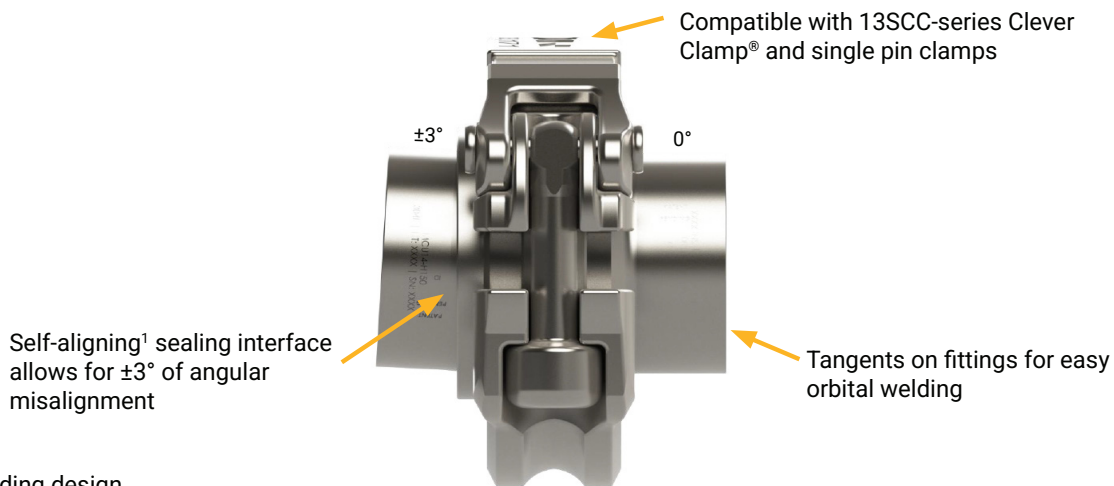
- Offered in four sizes: 1-1/2", 2", 3", and 4"
- Provides uniform gasket compression with each use
- Adjustable to accommodate both rubber and PTFE gasket types
- Quick and easy installation with no torque tools needed
- Threadless construction removes the risk of thread damage that can affect proper tightening
- Lockout-ready design with aligned clamp holes for simple cable locking
- Available with self-locking lever and color-coded options (red, blue, green, and yellow)

AAU-Series Auto-Align Union

Precision Alignment. Quick Assembly. Consistent Seal.

Developed for large-scale data cooling systems, the auto-align union (AAU) eliminates leaks by correcting misaligned tubing joints.

Built to self-align during assembly, this union utilizes a retained gasket to maintain consistent compression. It supports dependable, leak-free connection performance without forcing components into position.



¹Patent-pending design

Clamps

Dixon sanitary clamps secure connection points across liquid cooling loops and support repeatable installation and maintenance access throughout the system lifecycle.

Product Offering

- Heavy duty clamps: Available in sizes from 1/2"–12"
- Squeeze clamps: Available in sizes from 1/2"–4"
- I-line clamps: Available in sizes from 1"–6"
- Compatible with standard sanitary connection systems
- Supports maintenance access and repeatable installation

Materials

- 304 stainless steel



Fittings

Dixon stainless steel fittings support clean, reliable routing of chilled water and glycol circuits across liquid-cooling infrastructure.

Product Offering

- 90° Clamp Elbows: Available in sizes from 1/2"–12"
- Adapters (NPT, Butt Weld, I-Line): Available in multiple end configurations from 1/2"–6"
- Clamp Ferrules: Available in sizes from 1/2"–12"
- Clamp Tees: Available in sizes from 1/2"–12"
- Combination Nipples: Available in sizes from 1"–6"
- King Crimp® Stems and Ferrules: Available in sizes from 1"–4"
- Reducers: Available in sizes from 1-1/2" x 1"–8"x6"

Material

- 304 stainless steel
- 316L stainless steel



Valves



Dixon's valves are designed to control fluid flow across data center cooling loops and utility water systems while maintaining stable circulation throughout.

With repeatable operation and sealing, they provide precise actuation and shutoff. Low pad ball valves and compact butterfly valves with 360° trigger actuation support space constrained layouts while ensuring consistent system performance.

Product Offering

- Butterfly valves: Available in sizes from 1"–12" with pull, trigger, infinite, and short pull handles
- Ball valves: Available in sizes from 1/4"–4" in encapsulated and non-encapsulated designs
- Check valves: available in air relief, Y-ball, and spring configurations from 1/2"–6"
- Supports consistent flow control and shutoff performance in compact, space-constrained installations

Material

- 304 and 316L stainless steel

Filters and Strainers



Dixon stainless steel filters and strainers remove particulates from cooling media to support stable flow performance and extend component service life.

Product Offering

- Inline : Available in short and long body configurations from 1/2"–6"
- Side entry: Available in sizes from 1"–6"
- Side outlet: Available in sizes from 1"–6"

Material

- 316L stainless steel

Value Proposition

Dixon is committed to **delighting our customers** by being the easiest company they do business with every day.



Specialty Metal Hose Assemblies

Dixon hose assemblies support reliable fluid transfer in demanding data cooling and industrial applications. Designed to convey water, glycol, and other compatible fluids, they maintain consistent flow and pressure to protect pumps, heat exchangers, and other critical cooling equipment.

Manufactured from high quality material and engineered for durability, Dixon hose assemblies provide long service life, corrosion resistance, and dependable performance in continuous operation environments.

Product Offering

- Hose Assemblies: Available in multiple diameters and custom lengths
- GSM Hose: Available in sizes up to 4" I.D. with lengths up to 120'

Material

- Carbon and stainless steel



Quick Couplings

Dixon quick couplings support clean, efficient connection and disconnection of liquid-cooling circuits while minimizing fluid loss during service operations.

Product Offering

- HT-Series Flush Face Female Threaded Coupler: Available in sizes from 1/4"–1"
- V-Series Valved Female Coupler: Available in sizes from 1/4"–2" in brass and stainless steel

Material

- 316 stainless steel
- Brass



Hose Accessories

Dixon hose accessories support threaded interface transitions commonly used in facility-level cooling connections and service hookups.

Product Offering

- 3/4" male GHT x 3/4" female NPT adapter
- 3/4" female GHT garden hose cap

Material

- 303 stainless steel



Limited Warranty

DIXON VALVE & COUPLING COMPANY, LLC (herein called "Dixon") warrants the products described herein and manufactured by Dixon to be free from defects in material and workmanship for a period of one (1) year from date of shipment by Dixon under normal use and service. Its sole obligation under this warranty being limited to repairing or replacing, as hereinafter provided, at its option any product found to Dixon's satisfaction to be defective upon examination by it, provided that such product shall be returned for inspection to Dixon's factory within three (3) months after discovery of the defect. The repair or replacement of defective products will be made without charge for parts or labor. This warranty shall not apply to: (a) parts or products not manufactured by Dixon, the warranty of such items being limited to the actual warranty extended to Dixon by its supplier; (b) any product that has been subject to abuse, negligence, accident, or misapplication; (c) any product altered or repaired by others than Dixon; and (d) normal maintenance services and the replacement of service items (such as washers, gaskets, and lubricants) made in connection with such services. To the extent permitted by law, this limited warranty shall extend only to the buyer and any other person reasonably expected to use or consume the goods who is injured in person by any breach of the warranty. No action may be brought against Dixon for an alleged breach of warranty unless such action is instituted within one (1) year from the date the cause of action accrues. This limited warranty shall be construed and enforced to the fullest extent allowable by applicable law.

Other than the obligation of Dixon set forth herein, Dixon disclaims all warranties, express or implied, including but not limited to any implied warranties of merchantability or fitness for a particular purpose, and any other obligation or liability. The foregoing constitutes Dixon's sole obligation with respect to damages, whether direct, incidental, or consequential, resulting from the use or performance of the product.

Some products and sizes may be discontinued when stock is depleted or may require a minimum quantity for ordering.

Limits of Liability

This brochure is intended as a product offering. It is not intended to be a user or technical manual. Information in this brochure is subject to change without notice. All users and distributors of products sold through this brochure should contact Dixon with questions of use, compatibilities, coupling procedures, and life of product. Our full-time engineering and test staff are always available to recommend uses and to assist distributors and users with any questions.



Safety



Safety logos, which appear throughout our catalog, are used as a reminder that the user should carefully review for the appropriateness of the product for the media, application, and environment in which it will be used.

NOTE: Because of the health hazards associated with contamination and lead content in drinking water systems, Dixon couplings, unless otherwise specifically approved, are not recommended for potable water service and should not be used in applications where drinking water will contact the wetted surfaces of the coupling.

All Dixon products are shipped in cartons with the following warning:

"WARNING: This product contains lead, a chemical known to the State of California to cause cancer and birth defects or other reproductive harm."

Trademark

Delrin® and Zytel® are registered trademarks of E. I. du Pont de Nemours and Company.

Kalrez® is a registered trademark of DuPont Dow Elastomers.

All other trademarks appearing in the Dixon illustrated product list are the property of their respective owners.

Copyright

Copyright © 2026 by Dixon Valve & Coupling Company, LLC

All rights reserved. This book is copyrighted material. Use, reproduction or copying of it by anyone other than Dixon® is strictly forbidden without its express written consent.

NOTE: Reasonable care has been taken in preparing this catalog. Dixon Valve & Coupling Company, LLC reserves the right to make corrections.

