

HYC-Series Y-Ball Check Valve¹



Used in sanitary processes to prevent backflow of fluids. When liquid flows through the valve, the ball is forced into the branch of the valve allowing fluid flow. When the liquid stops equalizing the pressure, the ball drops back into the seat, preventing backflow. Should reverse flow occur, the differential pressure will cause the ball to seal firmly against the seat preventing leakage.

This valve can be used in combination with a B45-series air blow check valve to evacuate the upstream checked fluid from the processing line.

They are found in the food processing, beverage, dairy, personal care, winery, brewery, pet product, and industrial markets.

Sizes

- 1-1/2", 2", 2-1/2", 3"

Features

- Improved flow performance and ball stabilization¹
- Patent pending ball cap stabilizer¹
- Replaceable seat
- PTFE ball standard
- Vertical or horizontal installation orientation

Materials

- Product contact metal components: 316L stainless steel
- Non-product contact metal components: AISI 304
- Product contact seals: EPDM, FKM
- Ball: PTFE, EPDM, FKM, nitrile rubber

Specifications

- Standard connections: clamp (see part number key for alternate connections)
- Valve data
 - Maximum pressure: **150 PSI** (10 bar)
 - Minimum operating temperature: **15°F (-9°C)**
 - Maximum operating temperature: **200°F (93°C)**
- Surface finish
 - Product contact metal components: Ra ≤ 32 (see part number key for alternate finishes)



HYC-Series Y-Ball Check Valve¹



HYC-Series Y-Ball Check Valve with B45 Air Blow Check Valve

HYC-Series Cracking Pressure and Flow Coefficient

| Size | Cracking Pressure (in) (H ₂ O) | | Seating Pressure (in) (H ₂ O) | | Flow Coefficient | | |
|--------|---|------------------------|--|------------------------|--------------------------------|-------------------------------|----------------------------|
| | Vertical Orientation | Horizontal Orientation | Vertical Orientation | Horizontal Orientation | HYC-4A Ball Stabilizer End Cap | B45Y Ball Stabilizer Air Blow | 16AMP/B45 End Cap/Air Blow |
| 1-1/2" | 2.0 | 0.5 | 3.6 | 3.9 | 44.3 | 37.1 | 53.9 |
| 2" | 2.5 | | 2.6 | 3.7 | 75.3 | 67.8 | 106.3 |
| 2-1/2" | 3.0 | | 1.6 | 2.4 | 137.0 | 130.8 | 151.0 |
| 3" | 3.8 | | 1.9 | 2.6 | 158.9 | 167.5 | 162.7 |

Sizing Chart

| Ball Valve Check Valve Size | Air Blow Check Valve Size |
|-----------------------------|---------------------------|
| 1-1/2" | 2" |
| 2" | 2-1/2" |
| 2-1/2" | 3" |
| 3" | 4" |

¹The improved design of the HYC-Series Y-Ball Check Valve is launching in 2026. This will be the new standard design.

NOTE: Previous repair kits are still interchangeable with the improved design.

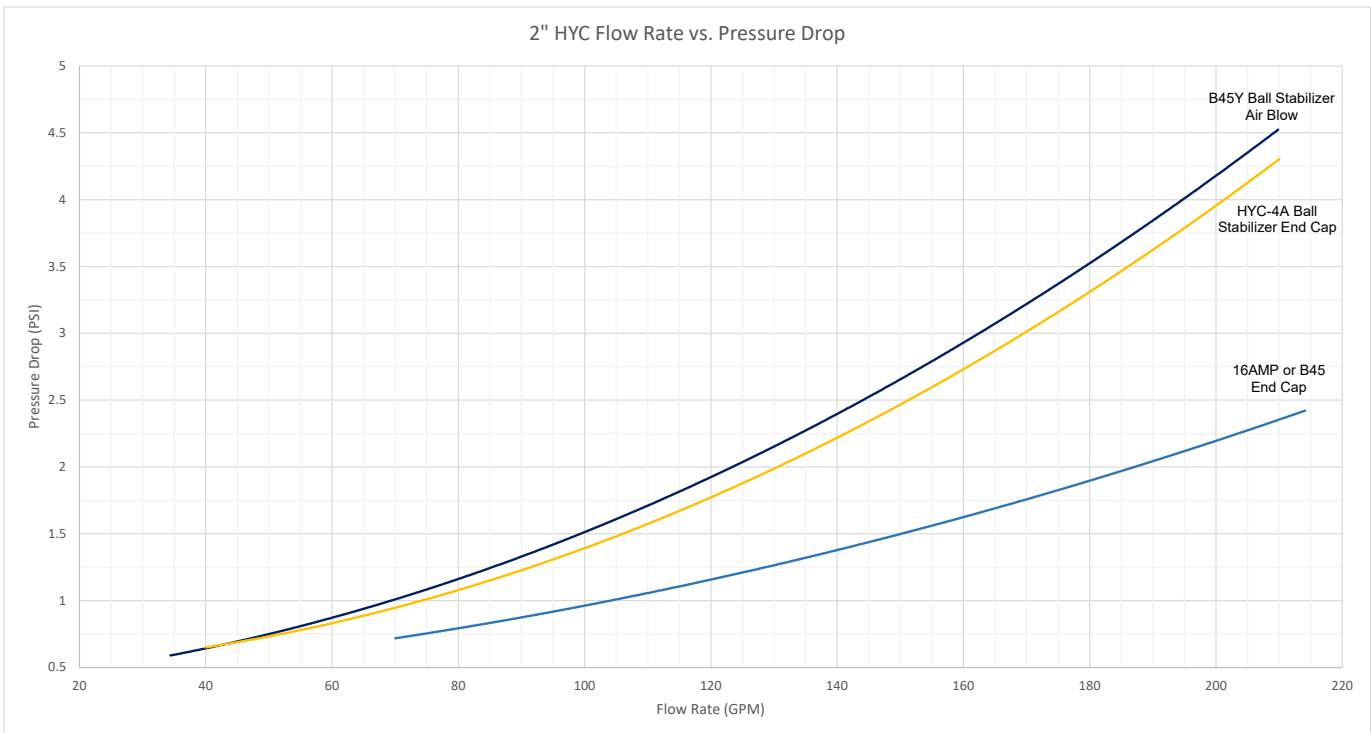
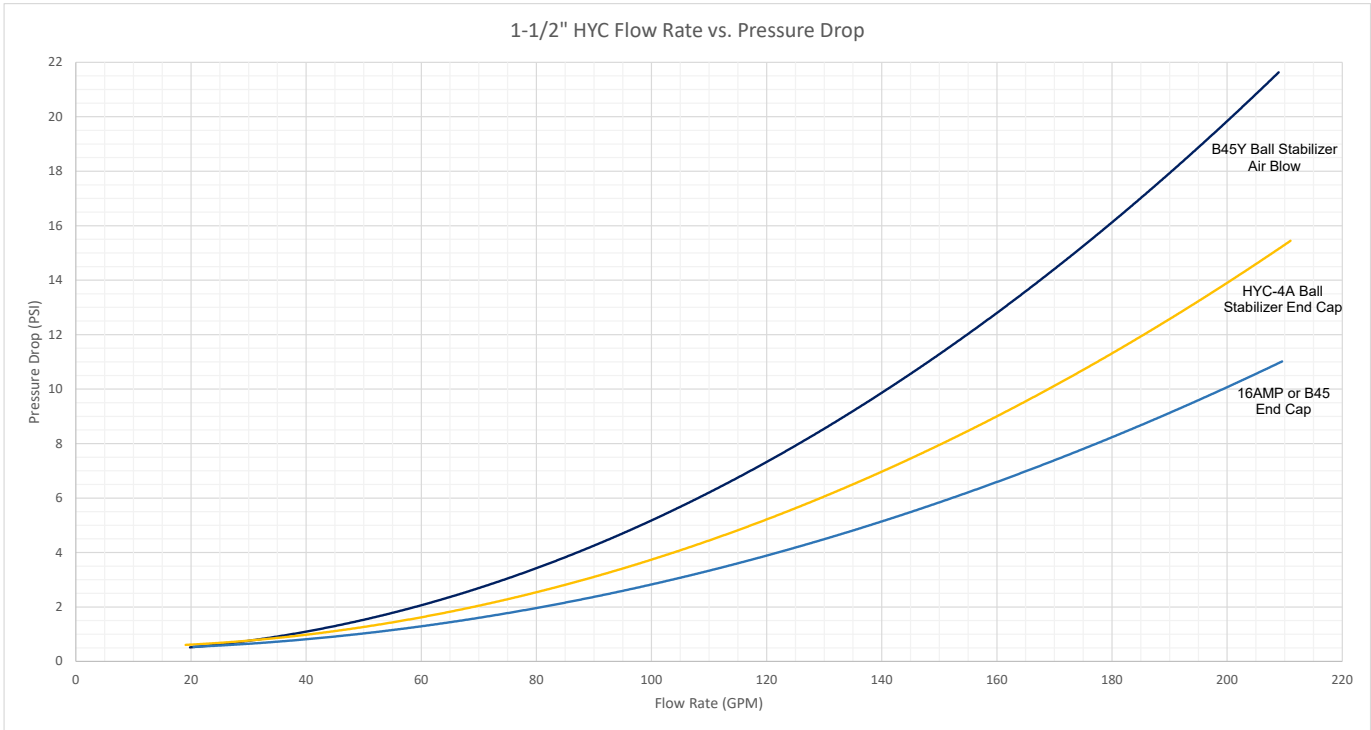
HYC-Series Y-Ball Check Valve - Part Number Key

| HYC-Series Y-Ball Check Valve Part Number Key Example: HYCEP150CCAE | | Series | Elastomer | Ball Material | Size | End Connections | Surface Finish | Options |
|---|-------------|--------|-----------|---------------|------|-----------------|----------------|---------|
| | | HYC | E | P | 150 | CC | A | E |
| Series | Code | | | | | | | |
| HYC | HYC | ← | | | | | | |
| Elastomer | Code | | | | | | | |
| EPDM | E | | ← | | | | | |
| FKM | V | | | | | | | |
| Ball Material | Code | | | | | | | |
| PTFE (standard) | P | | | ← | | | | |
| EPDM | E | | | | | | | |
| Nitrile rubber | B | | | | | | | |
| FKM | V | | | | | | | |
| Size | Code | | | | | | | |
| 1-1/2" | 150 | | | | ← | | | |
| 2" | 200 | | | | | | | |
| 2-1/2" | 250 | | | | | | | |
| 3" | 300 | | | | | | | |
| Body One Connection | Code | | | | | | | |
| Clamp (standard) | CC | | | | | ← | | |
| Weld | BB | | | | | | | |
| Female I-line | FF | | | | | | | |
| Male I-line | MM | | | | | | | |
| Threaded bevel | TT | | | | | | | |
| Plain bevel with nut | PP | | | | | | | |
| Q-line | QQ | | | | | | | |
| John Perry plain | JJ | | | | | | | |
| John Perry threaded | HH | | | | | | | |
| Extended weld | EE | | | | | | | |
| Female NPT ¹ | 11 | | | | | | | |
| Male NPT ¹ | 22 | | | | | | | |
| Surface Finish | Code | | | | | | | |
| 32 Ra (I.D. mech. polished) (standard) | A | | | | | | ← | |
| 25 Ra (I.D. mech. polished) | B | | | | | | | |
| 20 Ra (I.D. mech. polished) | C | | | | | | | |
| 15 Ra (I.D. electropolish) | D | | | | | | | |
| 32 Ra (I.D. mech. polished) with customer specified ID marking | E | | | | | | | |
| 25 Ra (I.D. mech. polished) with customer specified ID marking | F | | | | | | | |
| 20 Ra (I.D. mech. polished) with customer specified ID marking | G | | | | | | | |
| 15 Ra (I.D. mech. polished) with customer specified ID marking | H | | | | | | | |
| Options | Code | | | | | | | |
| Ball stabilizer end cap (standard) | E | | | | | | | ← |
| 1/4" male air line quick connect ² | F | | | | | | | |
| 1/2" NPT cap ² | I | | | | | | | |
| 1" hose barb ² | K | | | | | | | |

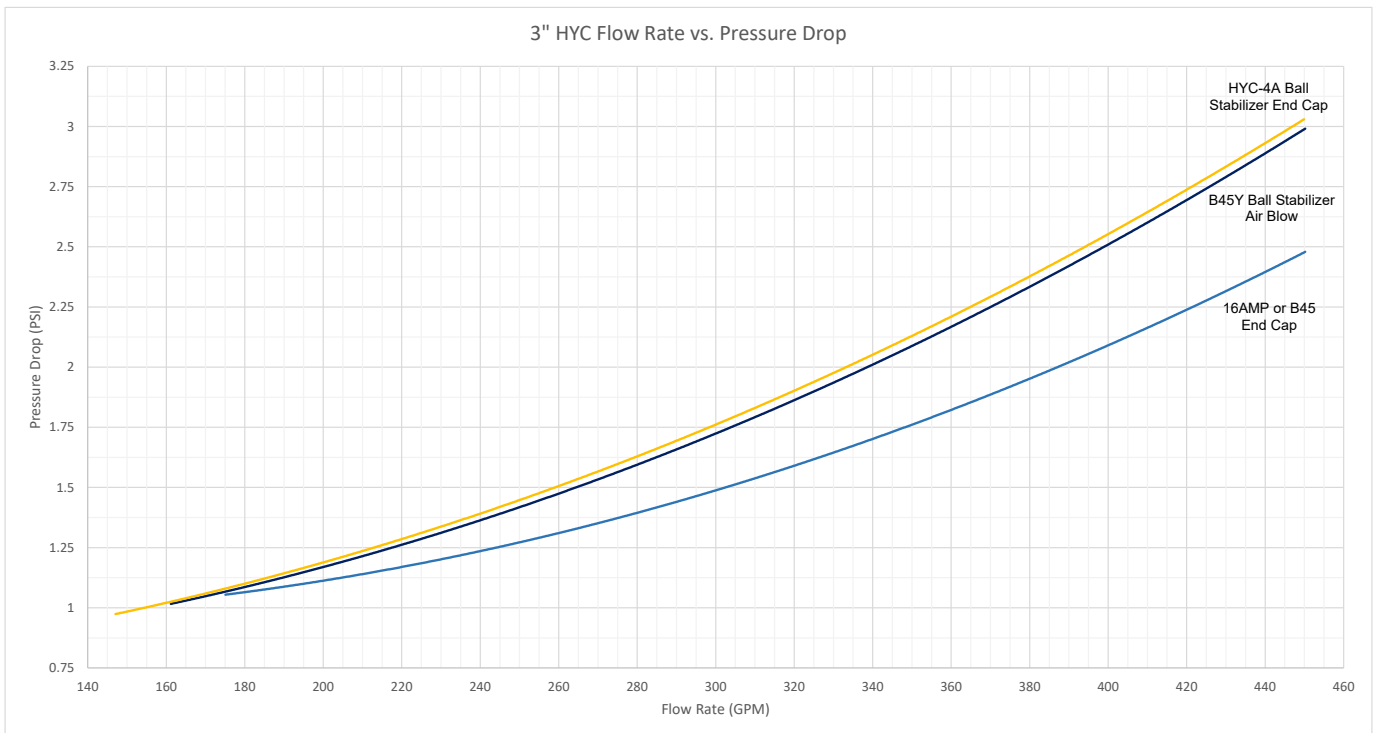
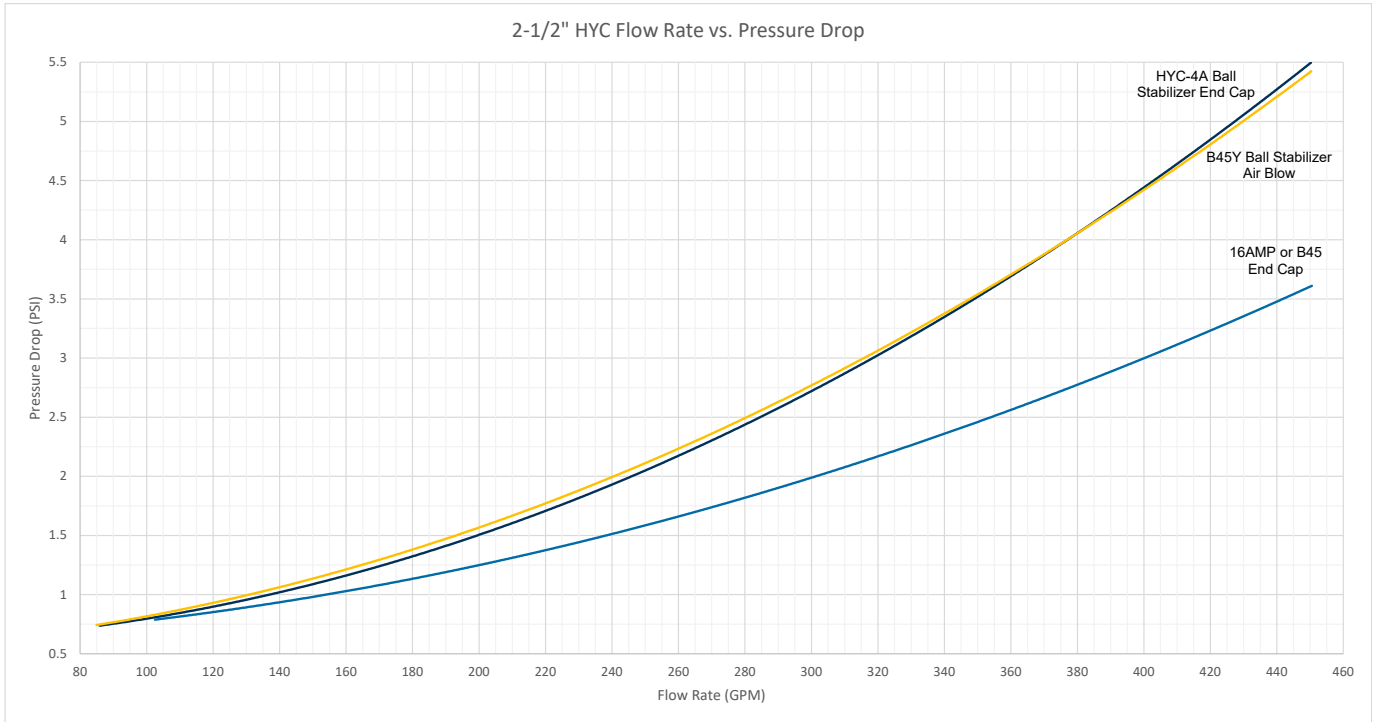
¹Not a sanitary connection

²Air blow check valve with ball stabilizer

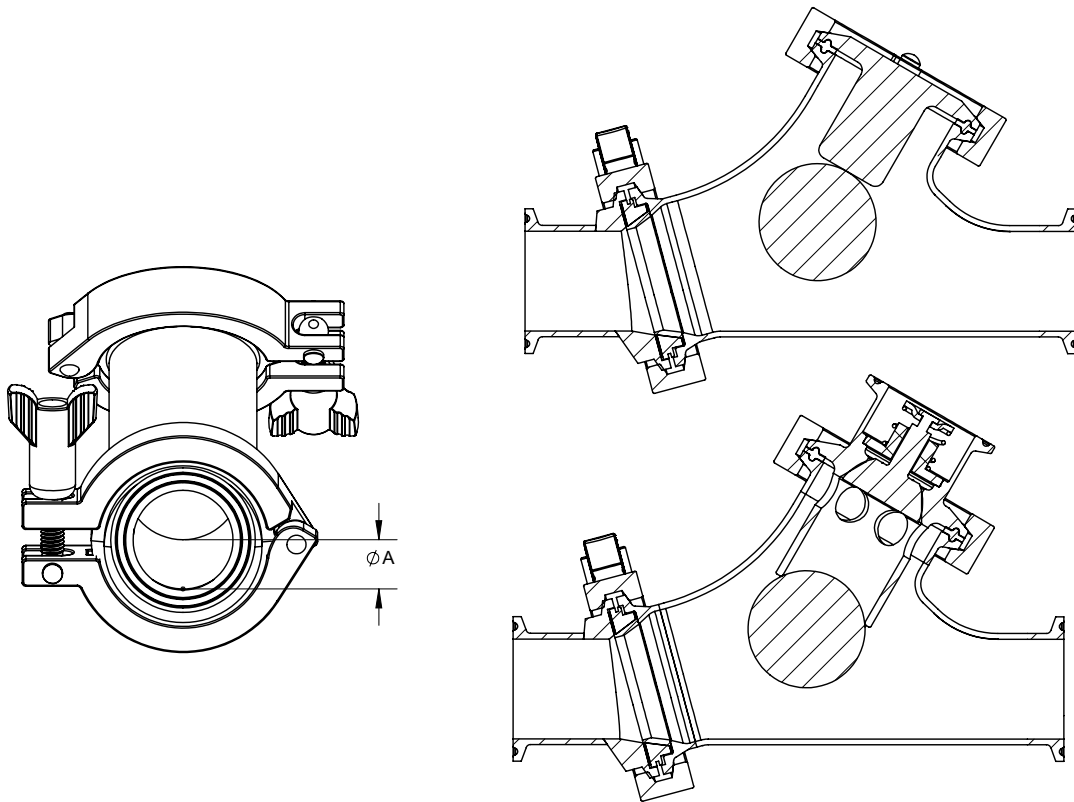
HYC-Series Y-Ball Check Valve - Pressure Drop Charts



HYC-Series Y-Ball Check Valve - Pressure Drop Charts

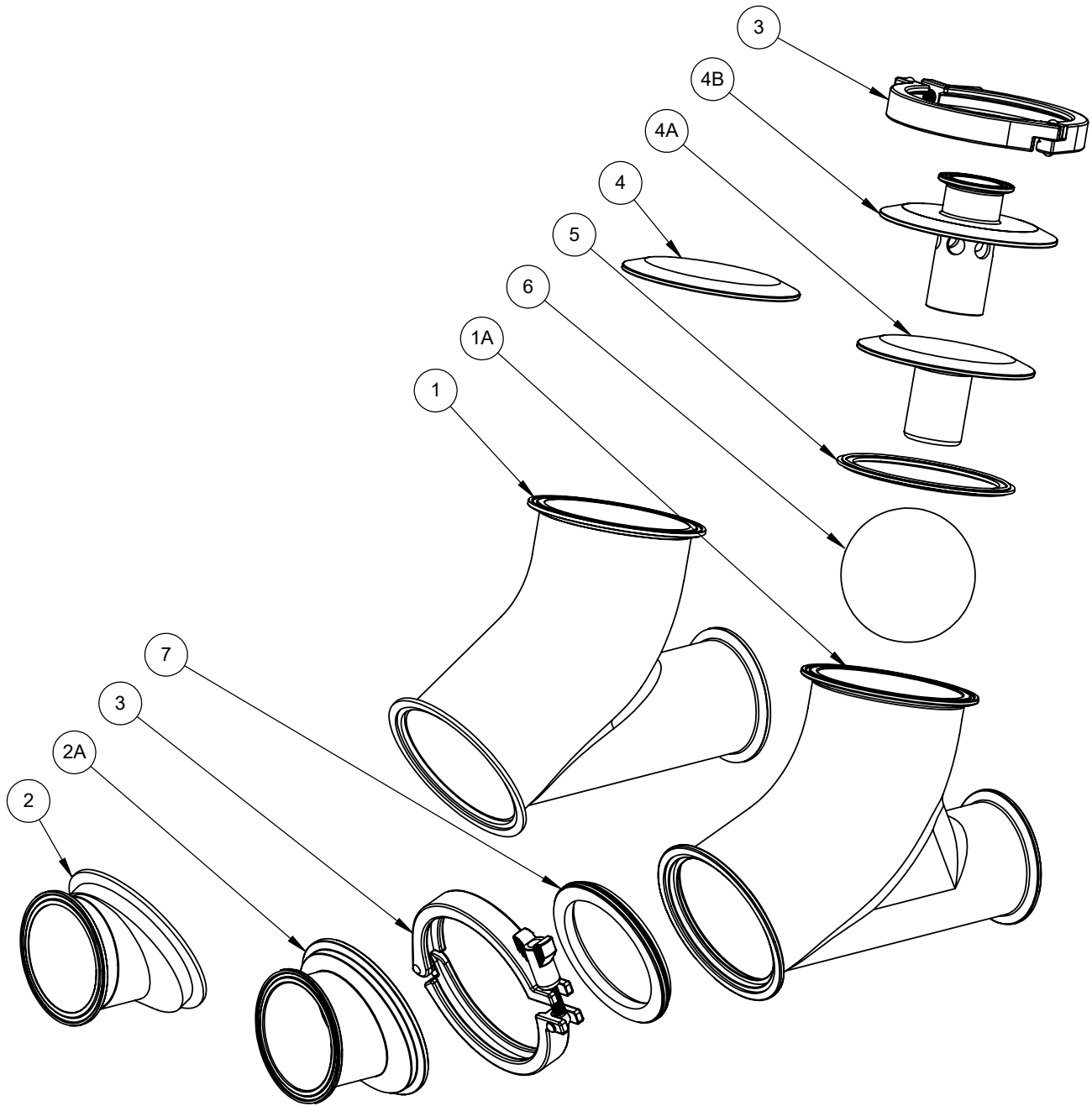


HYC-Series Y-Ball Check Valve - Maximum Particulate Diameter



| Size | A (in) |
|--------|--------|
| 1-1/2" | 0.67 |
| 2" | 0.71 |
| 2-1/2" | 1.09 |
| 3" | 1.54 |

HYC-Series Y-Ball Check Valve - Bill of Materials



HYC-Series Y-Ball Check Valve - Bill of Materials

| Item # | HYC Valve Size | Part # | Description | Material | Qty |
|--------|----------------|-------------|--|----------|-----|
| 1 | 1-1/2" | HYC-1-150 | angle body (pre-2024 design) | 316L | 1 |
| | 2" | HYC-1-200 | | | 1 |
| | 2-1/2" | HYC-1-250 | | | 1 |
| | 3" | HYC-1-300 | | | 1 |
| 1A | 1-1/2" | HYC-1A-150 | angle body (2024 revised design) | 316L | 1 |
| | 2" | HYC-1A-200 | | | 1 |
| | 2-1/2" | HYC-1A-250 | | | 1 |
| | 3" | HYC-1A-300 | | | 1 |
| 2 | 1-1/2" | HYC-2-150 | inlet body (pre-2024 design) | 316L | 1 |
| | 2" | HYC-2-200 | | | 1 |
| | 2-1/2" | HYC-2-250 | | | 1 |
| | 3" | HYC-2-300 | | | 1 |
| 2A | 1-1/2" | HYC-2A-150 | inlet body (2024 revised design) | 316L | 1 |
| | 2" | HYC-2A-200 | | | 1 |
| | 2-1/2" | HYC-2A-250 | | | 1 |
| | 3" | HYC-2A-300 | | | 1 |
| 3 | 1-1/2" | 13MHM200SN | clamp | CF8 | 2 |
| | 2" | 13MHM250SN | | | 2 |
| | 2-1/2" | 13MHM300SN | | | 2 |
| | 3" | 13MHM400SN | | | 2 |
| 4 | 1-1/2" | 16AMP-R200 | end cap | 316L | 1 |
| | 2" | 16AMP-R250 | | | 1 |
| | 2-1/2" | 16AMP-R300 | | | 1 |
| | 3" | 16AMP-R400 | | | 1 |
| 4A | 1-1/2" | HYC-4A-150 | HYC ball stabilizer end cap (standard) | 316L | 1 |
| | 2" | HYC-4A-200 | | | 1 |
| | 2-1/2" | HYC-4A-250 | | | 1 |
| | 3" | HYC-4A-300 | | | 1 |
| 4B | 1-1/2" | B45Y-3-200 | HYC ball stabilizer air blow valve body ¹ | 316L | 1 |
| | 2" | B45Y-3-250 | | | 1 |
| | 2-1/2" | B45Y-3-300 | | | 1 |
| | 3" | B45Y-3-400 | | | 1 |
| 5 | 1-1/2" | 40MP-E200 | cap gasket | EPDM | 1 |
| | 2" | 40MP-E250 | | | 1 |
| | 2-1/2" | 40MP-E300 | | | 1 |
| | 3" | 40MP-E400 | | | 1 |
| | 1-1/2" | 40MP-SFY200 | | FKM | 1 |
| | 2" | 40MP-SFY250 | | | 1 |
| | 2-1/2" | 40MP-SFY300 | | | 1 |
| | 3" | 40MP-SFY400 | | | 1 |

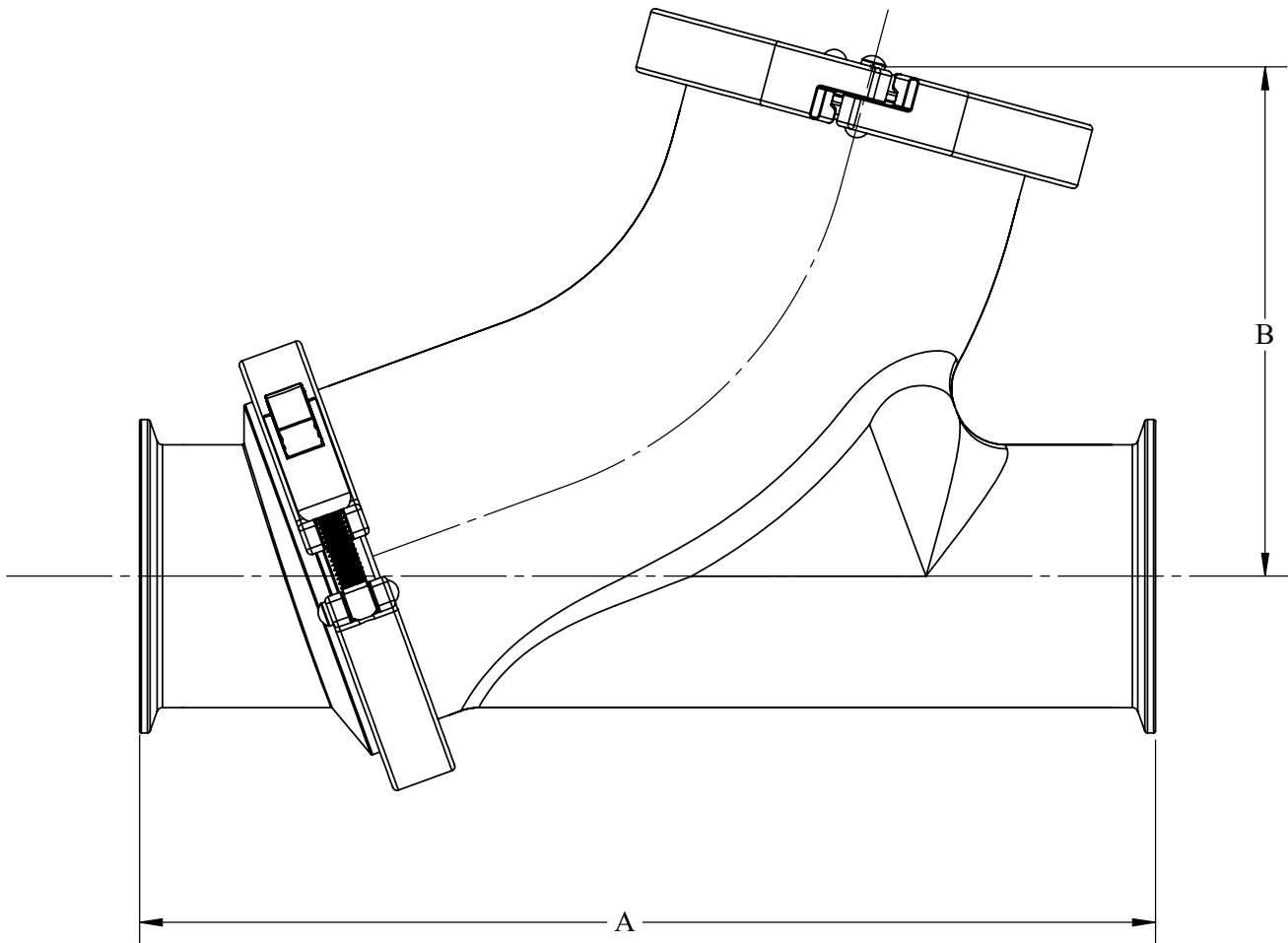
¹See B45-series EPRG for air end connection options.

HYC-Series Y-Ball Check Valve - Bill of Materials

| Item # | HYC Valve Size | Part # | Description | Material | Qty |
|--------|----------------|------------|-------------|--------------------|-----|
| 6 | 1-1/2" | HYC-TB150 | ball | PTFE (standard) | 1 |
| | 2" | HYC-TB200 | | | 1 |
| | 2-1/2" | HYC-TB250 | | | 1 |
| | 3" | HYC-TB300 | | | 1 |
| | 1-1/2" | HYC-EB150 | | EPDM | 1 |
| | 2" | HYC-EB200 | | | 1 |
| | 2-1/2" | HYC-EB250 | | | 1 |
| | 3" | HYC-EB300 | | | 1 |
| | 1-1/2" | HYC-VB150 | | FKM | 1 |
| | 2" | HYC-VB200 | | | 1 |
| | 2-1/2" | HYC-VB250 | | | 1 |
| | 3" | HYC-VB300 | | | 1 |
| | 1-1/2" | HYC-BB150 | | Nitrile rubber | 1 |
| | 2" | HYC-BB200 | | | 1 |
| | 2-1/2" | HYC-BB250 | | | 1 |
| 3" | HYC-BB300 | 1 | | | |
| 7 | 1-1/2" | HYC-7E-150 | seat | EPDM | 1 |
| | 2" | HYC-7E-200 | | | 1 |
| | 2-1/2" | HYC-7E-250 | | | 1 |
| | 3" | HYC-7E-300 | | | 1 |
| | 1-1/2" | HYC-7V-150 | | FKM | 1 |
| | 2" | HYC-7V-200 | | | 1 |
| | 2-1/2" | HYC-7V-250 | | | 1 |
| | 3" | HYC-7V-300 | | | 1 |

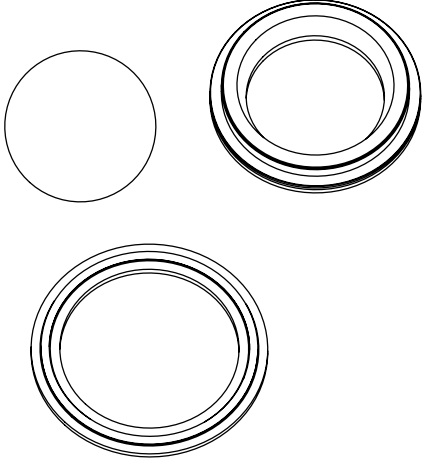
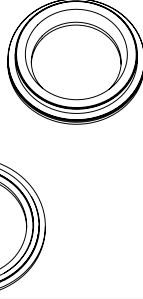
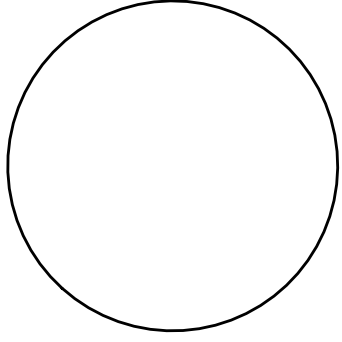
NOTE: The revised version of the HYC-series Y-Ball Check valve will be the standard, launching 2026.

HYC-Series Y-Ball Check Valve - Dimensions



| Size | A (in) | B (in) | PTFE Ball Ø (in) | Rubber Ball Ø (in) |
|--------|--------|--------|------------------|--------------------|
| 1-1/2" | 7.5 | 3.3 | 1.6 | 1.6 |
| 2" | 8.5 | 3.9 | 2.1 | 2.1 |
| 2-1/2" | 10 | 4.5 | 2.7 | 2.6 |
| 3" | 11.5 | 5.3 | 3.6 | 3.5 |

HYC-Series Y-Ball Check Valve - Repair Kits

| Repair Kit Type | Elastomer/Ball Material | Size (in) | Part # | Contains: (1) end cap gasket, (1) ball, and (1) seat |
|-----------------------------|------------------------------|-------------|-------------|---|
| Complete Repair Kit | EPDM and PTFE ball | 1-1/2 | HYC-RKE150 |  |
| | | 2 | HYC-RKE200 | |
| | | 2-1/2 | HYC-RKE250 | |
| | | 3 | HYC-RKE300 | |
| | EPDM and nitrile rubber ball | 1-1/2 | HYC-RKE150B | |
| | | 2 | HYC-RKE200B | |
| | | 2-1/2 | HYC-RKE250B | |
| | | 3 | HYC-RKE300B | |
| | FKM and PTFE ball | 1-1/2 | HYC-RKV150 | |
| | | 2 | HYC-RKV200 | |
| | | 2-1/2 | HYC-RKV250 | |
| | | 3 | HYC-RKV300 | |
| FKM and nitrile rubber ball | 1-1/2 | HYC-RKV150B | | |
| | 2 | HYC-RKV200B | | |
| | 2-1/2 | HYC-RKV250B | | |
| | 3 | HYC-RKV300B | | |
| Elastomer Seal Kit | EPDM | 1-1/2 | HYC-SKE150 |  |
| | | 2 | HYC-SKE200 | |
| | | 2-1/2 | HYC-SKE250 | |
| | | 3 | HYC-SKE300 | |
| | FKM | 1-1/2 | HYC-SKV150 | |
| | | 2 | HYC-SKV200 | |
| | | 2-1/2 | HYC-SKV250 | |
| | | 3 | HYC-SKV300 | |
| Replacement Ball Kit | PTFE | 1-1/2 | HYC-TB150 |  |
| | | 2 | HYC-TB200 | |
| | | 2-1/2 | HYC-TB250 | |
| | | 3 | HYC-TB300 | |
| | Nitrile rubber | 1-1/2 | HYC-BB150 | |
| | | 2 | HYC-BB200 | |
| | | 2-1/2 | HYC-BB250 | |
| | | 3 | HYC-BB300 | |
| | FKM | 1-1/2 | HYC-VB150 | |
| | | 2 | HYC-VB200 | |
| | | 2-1/2 | HYC-VB250 | |
| | | 3 | HYC-VB300 | |
| | EPDM | 1-1/2 | HYC-EB150 | |
| | | 2 | HYC-EB200 | |
| | | 2-1/2 | HYC-EB250 | |
| | | 3 | HYC-EB300 | |

Limited Warranty

DIXON VALVE & COUPLING COMPANY, LLC (herein called "Dixon") warrants the products described herein and manufactured by Dixon to be free from defects in material and workmanship for a period of one (1) year from date of shipment by Dixon under normal use and service. Its sole obligation under this warranty being limited to repairing or replacing, as hereinafter provided, at its option any product found to Dixon's satisfaction to be defective upon examination by it, provided that such product shall be returned for inspection to Dixon's factory within three (3) months after discovery of the defect. The repair or replacement of defective products will be made without charge for parts or labor. This warranty shall not apply to: (a) parts or products not manufactured by Dixon, the warranty of such items being limited to the actual warranty extended to Dixon by its supplier; (b) any product that has been subject to abuse, negligence, accident, or misapplication; (c) any product altered or repaired by others than Dixon; and (d) normal maintenance services and the replacement of service items (such as washers, gaskets, and lubricants) made in connection with such services. To the extent permitted by law, this limited warranty shall extend only to the buyer and any other person reasonably expected to use or consume the goods who is injured in person by any breach of the warranty. No action may be brought against Dixon for an alleged breach of warranty unless such action is instituted within one (1) year from the date the cause of action accrues. This limited warranty shall be construed and enforced to the fullest extent allowable by applicable law.

Other than the obligation of Dixon set forth herein, Dixon disclaims all warranties, express or implied, including but not limited to any implied warranties of merchantability or fitness for a particular purpose, and any other obligation or liability. The foregoing constitutes Dixon's sole obligation with respect to damages, whether direct, incidental, or consequential, resulting from the use or performance of the product.

Some products and sizes may be discontinued when stock is depleted or may require a minimum quantity for ordering.

Limits of Liability

This brochure is intended as a product offering. It is not intended to be a user or technical manual. Information in this brochure is subject to change without notice. All users and distributors of products sold through this brochure should contact Dixon with questions of use, compatibilities, coupling procedures, and life of product. Our full-time engineering and test staff are always available to recommend uses and to assist distributors and users with any questions.



Safety



Safety logos, which appear throughout our catalog, are used as a reminder that the user should carefully review for the appropriateness of the product for the media, application, and environment in which it will be used.

NOTE: Because of the health hazards associated with contamination and lead content in drinking water systems, Dixon couplings, unless otherwise specifically approved, are not recommended for potable water service and should not be used in applications where drinking water will contact the wetted surfaces of the coupling.

All Dixon products are shipped in cartons with the following warning:

"WARNING: This product contains lead, a chemical known to the State of California to cause cancer and birth defects or other reproductive harm."

Trademark

Delrin® and Zytel® are registered trademarks of E. I. du Pont de Nemours and Company.

Kalrez® is a registered trademark of DuPont Dow Elastomers.

All other trademarks appearing in the Dixon illustrated product list are the property of their respective owners.

Copyright

Copyright © 2026 by Dixon Valve & Coupling Company, LLC

All rights reserved. This book is copyrighted material. Use, reproduction or copying of it by anyone other than Dixon® is strictly forbidden without its express written consent.

NOTE: Reasonable care has been taken in preparing this catalog. Dixon Valve & Coupling Company, LLC reserves the right to make corrections.

