



## L5107-Series Butterfly Valve

Quarter-turn valve used to isolate and regulate the flow of fluid in processing pipelines.

They are found in the pharmaceutical, biochemical, cosmetic, food processing, beverage, and some dairy markets.

### Certifications

- FDA 21 CFR 177.2600
- Valve seats are compliant with 3A Standard 18-03
- United States Pharmacopeia (USP) 87 and 88 Class VI
- European regulation EC 1935/2004
- REACH
  - In accordance with regulation EC 1907/2006
  - Does not contain any substances above 0.1% (w/w)
    - Source: The Candidate List of Substances of Very High Concern, Annex XVII
- Animal derived ingredient free
- Phthalate free

### Sizes

- 1", 1-1/2", 2", 2-1/2", 3", and 4"

### Features

- Compact design with face-to-face dimensions being 3" for all sizes
- High performance rubber seat design
  - Same seat design as our premium B5107-series butterfly valve line
  - Seats are interchangeable
- 360° trigger sprocket allows handle to be easily rotated to both sides of the valve without disassembly and reassembly of the valve handle
- Hex head body bolts eliminate cavities of socket head screws for cleaner exterior design
- Durable high performance polyamide handle with stainless trigger reduces weight of overall assembly
- Manual valves ship complete with handle installed and ready for operation

### Materials

- Product contact metal components: 304 forged stainless steel
- Non-product contact metal components: 304 stainless steel
- Product contact seals: EPDM, silicone, or FKM

### Specifications

- Standard connection: clamp (2022 ASME BPE DT-4.1.4-1)
- Maximum pressure
  - 1/2" to 2": **140 PSI**
  - 2-1/2" to 3": **110 PSI**
  - 4": **85 PSI**
- Minimum product line pressure: 0.4" Hg vacuum (absolute) at **68°F (20°C)**
- Maximum operating temperature: **200°F (93°C)**
- Minimum operating temperature: **15°F (-9°C)**
- Valve stem square size: 10mm (all valve sizes)
- Surface finish
  - Product contact metal components: ≤ 32 Ra (standard)
- Seat lubricant: MOLYKOTE® 111



## L5107-Series Butterfly Valve - Flow Coefficients (Cv)

Valve Size	Flow Coefficient (Cv)	Valve Size	Flow Coefficient (Cv)
1"	23	2-1/2"	264
1-1/2"	80	3"	372
2"	230	4"	800

### L5107-Series Butterfly Valve - Valve Break Torque

(Based on water at 68°F)

Valve Size	Break Torque (in-lbs) Silicone	Break Torque (in-lbs) EPDM	Break Torque (in-lbs) FKM
1"	20	13	70
1-1/2"	35	20	125
2"	35	48	175
2-1/2"	133	98	220
3"	133	146	310
4"	266	341	450

### L5107-Series Butterfly Valve - Pressure Drop Chart (PSI)

(Based on water at 68°F)

Capacity (USGPM)	1"	1-1/2"	2"	2-1/2"	3"	4"
5						
10	0.2	0.0				
50	4.7	0.4				
90	15.3	1.3	0.2			
130		2.6	0.3	0.2		
170		4.5	0.5	0.4	0.2	
210		6.9	0.8	0.6	0.3	
250		9.8	1.2	0.9	0.5	
290			1.6	1.2	0.6	
330			2.1	1.6	0.8	0.2
370			2.6	2.0	1.0	0.2
410			3.2	2.4	1.2	0.3
450			3.8	2.9	1.5	0.3
490			4.5	3.4	1.7	0.4
530				4.0	2.0	0.4
570				4.7	2.3	0.5
610				5.3	2.7	0.6
650				6.1	3.1	0.7
690				6.8	3.4	0.7
730					3.9	0.8
770					4.3	0.9
810					4.7	1.0
850					5.2	1.1
890					5.7	1.2
930					6.3	1.4
970						1.5
1010						1.6
1050						1.7
1090						1.9
1130						2.0
1170						2.1
1210						2.3
1250						2.4
1290						2.6
1330						2.8
1370						2.9
1410						3.1
1450						3.3
1490						3.5
1530						3.7
1570						3.9
1610						4.1
1650						4.3

$$\Delta P = \left[ \frac{\text{GPM}}{C_v} \right]^2 G$$

**L5107-Series Butterfly Valve - Operating Devices**

<b>Multi Position Trigger Handle Lock-out Tag-out</b>	<b>Stainless Steel Canister Actuator (spring return or double acting)</b>	<b>Stainless Steel Canister Actuator with External Proximity Position Detection</b>
 A stainless steel butterfly valve with a black trigger handle and a lock-out tag-out mechanism.	 A stainless steel canister actuator mounted on a butterfly valve.	 A stainless steel canister actuator with an external proximity sensor for position detection.

**Stainless Steel Canister Actuator  
with Burkert Control Top**



### L5107-Series Butterfly Valve - Part Number Key

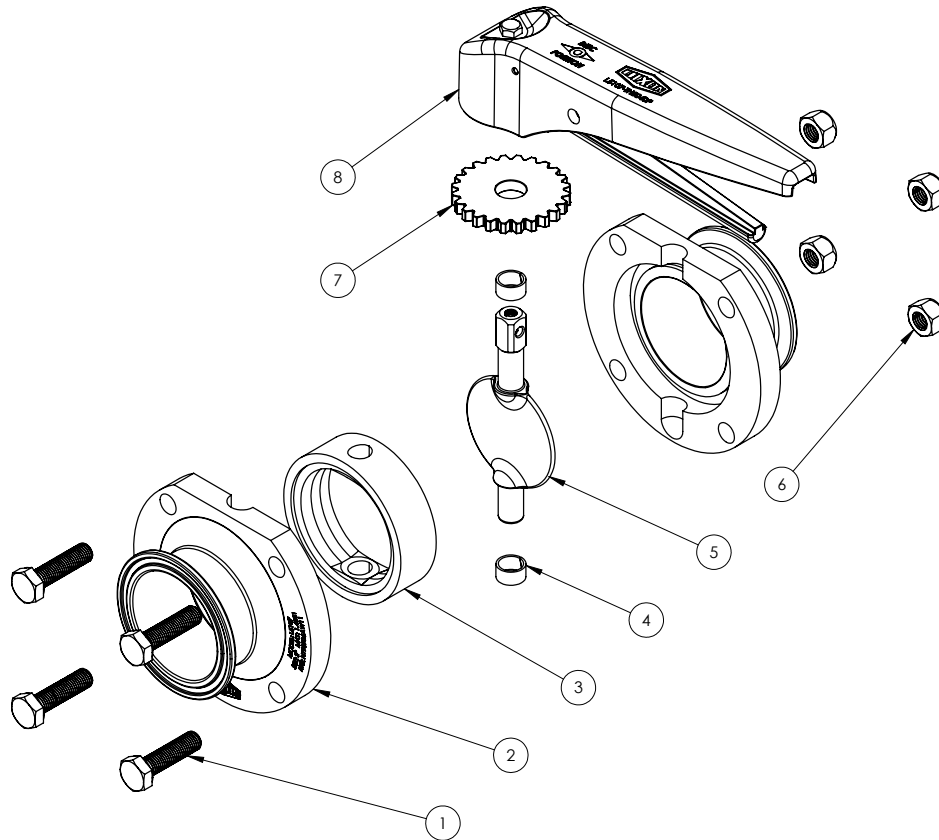
L5107-Series Butterfly Valve Part Number Key Example: L5107E150CC-P		Series	Seat Material	Size	Connection End	Connection End	* Actuation	Control Unit/ Feedback	Finish Options
		L5107	E	150	C	C	-	P	
<b>Series</b>	<b>Code</b>								
L5107	L5107								
<b>Seat Material</b>	<b>Code</b>								
EPDM	E								
Silicone	S								
FKM	V								
<b>Size</b>	<b>Code</b>								
1"	100								
1-1/2"	150								
2"	200								
2-1/2"	250								
3"	300								
4"	400								
<b>Connection End</b>	<b>Code</b>								
Clamp (standard)	C								
<b>Actuation</b>	<b>Code</b>								
Manual handle - 24 position trigger handle (ships assembled)	P								
Normally open linear pneumatic vertical canister actuator	F								
Normally closed linear pneumatic vertical canister actuator	G								
Air to air linear pneumatic vertical canister actuator	H								
<b>Control Unit/Feedback</b>	<b>Code</b>								
<b>Only available to be used with the following actuation codes: F, G, and H</b>									
None	blank								
10-30 VDC 12mm external proximity, PNP, open/close, (qty 2), flying leads	01								
10-30 VDC 12mm external proximity, NPN, open/close, (qty 2), flying leads	02								
10-30 VDC 12mm external proximity, PNP, open, (qty 1), flying leads	03								
10-30 VDC 12mm external proximity, PNP, close, (qty 1), flying leads	04								
10-30 VDC 12mm external proximity, NPN, open, (qty 1), flying leads	05								
10-30 VDC 12mm external proximity, PNP, open/close, (qty 2), M12 quick disconnect	06								
10-30 VDC 12mm external proximity, NPN, open/close, (qty 2), M12 quick disconnect	07								
10-30 VDC 12mm external proximity, PNP, open, (qty 1), M12 quick disconnect	08								
10-30 VDC 12mm external proximity, PNP, close, (qty 1), M12 quick disconnect	09								

\*Only use a dash (-) in the part number if using a manual handle, otherwise the dash is eliminated.

NOTE: Part number key continues on the next page.



### L5107-Series Butterfly Valve - Bill of Materials



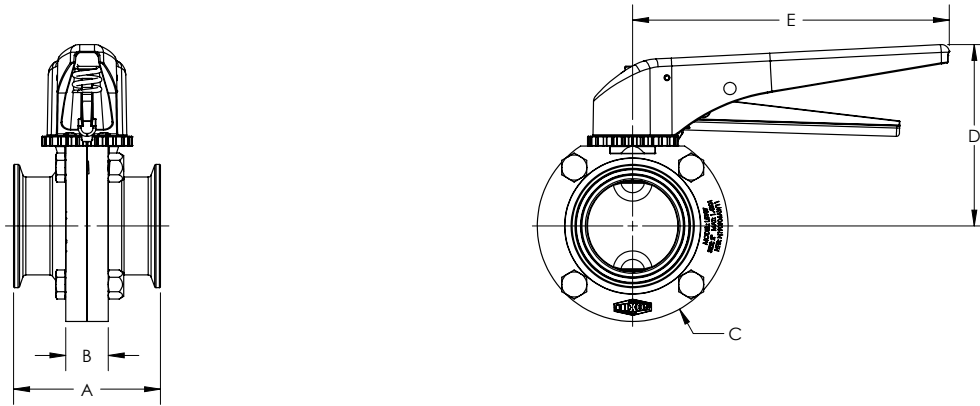
Item #	Description	Part #			Material	Qty
		1"	1-1/2"	2"		
1	body bolt	M6x1x30 hex head		M8X1.25X30 hex head	18-8	4
2	body housing	L5107-HSG10	L5107-HSG15	L5107-HSG20	304	2
3	valve seat	see repair kit			-	1
4	bushing	n/a (included with item no. 3)			polyacetal	2
5	disc	L5107-DSC10	L5107-DSC15	L5107-DSC20	304	1
6	body nut	M6x1 Nylock		M8x1.25 Nylock	18-8	4
7	sprocket	L5107-THS-5025			304	1
8	handle	L5107-TH5040P			PA55-GF30 / 304	1

Item #	Description	Part #			Material	Qty
		2-1/2"	3"	4"		
1	body bolt	M8x1.25x30 hex head	M8x1.25x40 hex head		18-8	4 <sup>1</sup>
2	body housing	L5107-HSG25	L5107-HSG30	L5107-HSG40	304	2
3	valve seat	see repair kits			-	1
4	bushing	n/a (included with item no. 3)			polyacetal	2
5	disc	L5107-DSC25	L5107-DSC30	L5107-DSC40	304	1
6	body nut	M8x1.25 Nylock			18-8	4 <sup>1</sup>
7	sprocket	L5107-THS-5025	L5107-THS-3040		304	1
8	handle	L5107-TH5040P			PA55-GF30 / 304	1

<sup>1</sup>4" valves have a quantity of 6 bolts and nuts

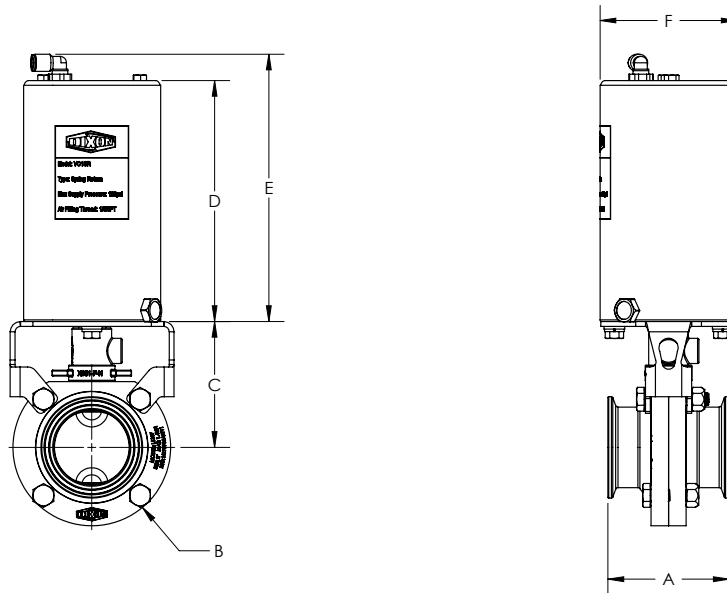
### L5107-Series Butterfly Valve - Dimensions

#### Manual Handle



Valve Size	A (in)	B (in)	C (in)	D (in)	E (in)
1"	3.00	0.866	3.071	3.363	6.469
1-1/2"		0.866	3.071	3.363	
2"		0.866	3.898	3.707	
2-1/2"		0.866	4.606	4.119	
3"		1.181	5.197	4.312	
4"		1.181	6.657	5.109	

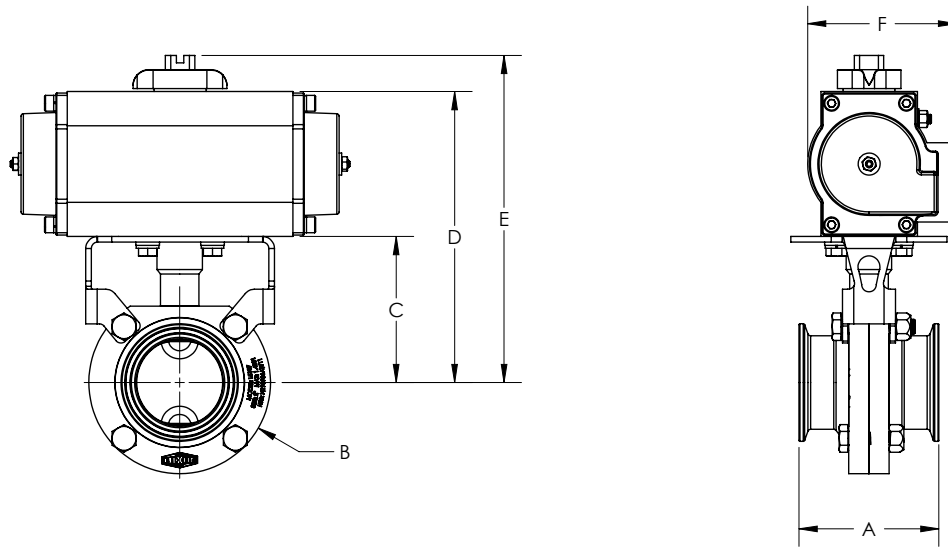
#### Vertical Canister Actuator



Valve Size	A (in)	B (in)	C (in)	D (in)	E (in)	F (in)
1"	3.00	3.071	2.834	5.984	6.638	3.386
1-1/2"		3.071	2.834			
2"		3.898	3.124			
2-1/2"		4.606	3.542			
3"		5.197	3.683			
4"		6.657	4.557			

## L5107-Series Butterfly Valve - Dimensions

### Rack and Pinion Actuator



Valve Size	A (in)	B (in)	C (in)	D (in)		E (in)		F (in)	
				SR	DA	SR	DA	SR	DA
1"	3.00	3.071	2.834	5.934	5.934	6.707	6.707	3.197	3.197
1-1/2"		3.071	2.834	5.934	5.934	6.707	6.707	3.197	3.197
2"		3.898	3.124	6.224	6.224	6.997	6.997	3.197	3.197
2-1/2"		4.606	3.542	6.642	6.642	7.415	7.415	3.197	3.197
3"		5.197	3.683	7.543	7.543	8.308	8.308	3.717	3.717
4"		6.657	4.557	9.343	8.417	10.098	9.182	4.679	3.717

### Repair Kits

Repair Kit Part #	Part Description	Kit Contains
B5107-RKV100	L5107/B5107 FKM repair kit, for 1" valves	Items 3, 4, and seat lubricant pack
B5107-RKV150	L5107/B5107 FKM repair kit, for 1-1/2" valves	
B5107-RKV200	L5107/B5107 FKM repair kit, for 2" valves	
B5107-RKV250	L5107/B5107 FKM repair kit, for 2-1/2" valves	
B5107-RKV300	L5107/B5107 FKM repair kit, for 3" valves	
B5107-RKV400	L5107/B5107 FKM repair kit, for 4" valves	
B5107-RKS100	L5107/B5107 silicone repair kit, for 1" valves	
B5107-RKS150	L5107/B5107 silicone repair kit, for 1-1/2" valves	
B5107-RKS200	L5107/B5107 silicone repair kit, for 2" valves	
B5107-RKS250	L5107/B5107 silicone repair kit, for 2-1/2" valves	
B5107-RKS300	L5107/B5107 silicone repair kit, for 3" valves	
B5107-RKS400	L5107/B5107 silicone repair kit, for 4" valves	
B5107-RKE100	L5107/B5107 EPDM repair kit, for 1" valves	
B5107-RKE150	L5107/B5107 EPDM repair kit, for 1-1/2" valves	
B5107-RKE200	L5107/B5107 EPDM repair kit, for 2" valves	
B5107-RKE250	L5107/B5107 EPDM repair kit, for 2-1/2" valves	
B5107-RKE300	L5107/B5107 EPDM repair kit, for 3" valves	
B5107-RKE400	L5107/B5107 EPDM repair kit, for 4" valves	



## Limited Warranty

DIXON VALVE & COUPLING COMPANY, LLC (herein called "Dixon") warrants the products described herein and manufactured by Dixon to be free from defects in material and workmanship for a period of one (1) year from date of shipment by Dixon under normal use and service. Its sole obligation under this warranty being limited to repairing or replacing, as hereinafter provided, at its option any product found to Dixon's satisfaction to be defective upon examination by it, provided that such product shall be returned for inspection to Dixon's factory within three (3) months after discovery of the defect. The repair or replacement of defective products will be made without charge for parts or labor. This warranty shall not apply to: (a) parts or products not manufactured by Dixon, the warranty of such items being limited to the actual warranty extended to Dixon by its supplier; (b) any product that has been subject to abuse, negligence, accident, or misapplication; (c) any product altered or repaired by others than Dixon; and (d) normal maintenance services and the replacement of service items (such as washers, gaskets, and lubricants) made in connection with such services. To the extent permitted by law, this limited warranty shall extend only to the buyer and any other person reasonably expected to use or consume the goods who is injured in person by any breach of the warranty. No action may be brought against Dixon for an alleged breach of warranty unless such action is instituted within one (1) year from the date the cause of action accrues. This limited warranty shall be construed and enforced to the fullest extent allowable by applicable law.

Other than the obligation of Dixon set forth herein, Dixon disclaims all warranties, express or implied, including but not limited to any implied warranties of merchantability or fitness for a particular purpose, and any other obligation or liability. The foregoing constitutes Dixon's sole obligation with respect to damages, whether direct, incidental, or consequential, resulting from the use or performance of the product.

Some products and sizes may be discontinued when stock is depleted or may require a minimum quantity for ordering.

## Limits of Liability

This brochure is intended as a product offering. It is not intended to be a user or technical manual. Information in this brochure is subject to change without notice. All users and distributors of products sold through this brochure should contact Dixon with questions of use, compatibilities, coupling procedures, and life of product. Our full-time engineering and test staff are always available to recommend uses and to assist distributors and users with any questions.



### Safety



Safety logos, which appear throughout our catalog, are used as a reminder that the user should carefully review for the appropriateness of the product for the media, application, and environment in which it will be used.

NOTE: Because of the health hazards associated with contamination and lead content in drinking water systems, Dixon couplings, unless otherwise specifically approved, are not recommended for potable water service and should not be used in applications where drinking water will contact the wetted surfaces of the coupling.

All Dixon products are shipped in cartons with the following warning:

**"WARNING:** This product contains lead, a chemical known to the State of California to cause cancer and birth defects or other reproductive harm."

## Trademark

Delrin® and Zytel® are registered trademarks of E. I. du Pont de Nemours and Company.

Kalrez® is a registered trademark of DuPont Dow Elastomers.

All other trademarks appearing in the Dixon illustrated product list are the property of their respective owners.

## Copyright

Copyright © 2025 by Dixon Valve & Coupling Company, LLC

All rights reserved. This book is copyrighted material. Use, reproduction or copying of it by anyone other than Dixon® is strictly forbidden without its express written consent.

NOTE: Reasonable care has been taken in preparing this catalog. Dixon Valve & Coupling Company, LLC reserves the right to make corrections.

