

Excelon® design allows in-line installation or modular installation with other Excelon® products

High efficiency water and particle removal

Quick release bayonet bowl

Push to lock adjusting knob with tamper resistant accessory

Optional quarter turn manual drain



Technical data

Fluid:

Compressed air, neutral gases
NOTE: Contact technical support for use with other media.

Maximum pressure:

Transparent bowl: 150 psig (10 bar)

Metal bowl: 250 psig (17 bar)

B72G metal bowl w/ auto drain:

150 psig (10 bar)

Operating temperature*:

Transparent bowl:

-30° to 125°F (-34° to 50°C)

Metal bowl:

(72) -30° to 150°F (-34° to 66°C)

(73, 74) -30° to 175°F (-34° to 80°C)

* Air supply must be dry enough to avoid ice formation at temperatures below 35°F (2°C).

Materials

B72G

Body: zinc

Bonnet: acetal (Zinc on 250 psi model)

Valve: Polypropylene and TPV

Transparent bowl: polycarbonate

Metal bowl: zinc

Liquid level indicator lens (metal bowl): transparent nylon

Element: sintered polypropylene

Elastomers: chloroprene & nitrile

B73G & B74G:

Body: aluminum

Bonnet: (73) Zinc, (74) aluminum

Transparent bowl: polycarbonate

Guarded transparent bowl: polycarbonate with aluminum

Metal bowl: aluminum

Liquid level indicator lens (metal bowl): transparent nylon (Pyrex optional)

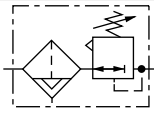
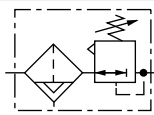
Element: sintered polypropylene

Elastomers: chloroprene & nitrile

Valve: polypropylene and TPV

Ordering information

Models listed include PTF threads, knob adjustment, automatic drain, metal bowl with liquid level indicator, 40 µm element, relieving diaphragm, 5 to 150 psig (0.3 to 10 bar) outlet pressure adjustment range* with gauge.

| ISO Symbols | Port Size | Model | Flow† scfm (dm ³ /s) | Weight lb (kg) |
|--|-----------|------------------|---------------------------------|----------------|
|  Automatic | 1/4" | B72G-2AK-AE3-RMG | 80 (38) | 1.3 (0.59) |
|  Manual Drain Relieving | 3/8" | B73G-3AK-AD3-RMG | 123 (58) | 1.76 (0.82) |
| | 1/2" | B73G-4AK-AD3-RMG | 123 (58) | 1.76 (0.82) |
| | 1/2" | B74G-4AK-AD3-RMG | 212 (100) | 2.59 (1.17) |
| | 3/4" | B74G-6AK-AD3-RMG | 212 (100) | 2.55 (1.16) |

*Outlet pressure can be adjusted to pressures in excess of, and less than, those specified. Do not use these units to control pressures outside of the specified ranges. † Typical flow with 150 psig (10 bar) inlet pressure, 90 psig (6.3 bar) set pressure and a 15 psig (1 bar) droop from set.

Options selector

| Series | Substitute |
|-------------------|------------|
| 72 | 2 |
| 73 | 3 |
| 74 | 4 |
| Port size | Substitute |
| 1/4" (72 & 73) | 2 |
| 3/8" (72, 73, 74) | 3 |
| 1/2" (73 & 74) | 4 |
| 3/4" (74) | 6 |
| Threads | Substitute |
| PTF | A |
| ISO G parallel | G |
| Adjustment | Substitute |
| Knob | K |
| T-bar | T |
| Drain | Substitute |
| 1/4 turn manual | Q |
| Auto drain* | A |

B7★G-★★★-★★★-R★★

| Gauge | Substitute |
|---|------------|
| With | G |
| Without | N |
| Outlet pressure adjustment range* | Substitute |
| 5 to 60 psig (0.3 to 4 bar) | F |
| 5 to 150 psig (0.3 to 10 bar) | M |
| 10 to 250 psig (0.7 to 17 bar)** | S |
| Diaphragm | Substitute |
| Relieving | R |
| Element | Substitute |
| 5 µm | 1 |
| 40 µm | 3 |
| Bowl | Substitute |
| Metal w/ liquid level indicator (72*, 73, 74) | D |
| Long metal w/ liquid level indicator (72)* | E |
| Long transparent (72)* | L |
| Transparent with guard (73, 74) | P |
| Transparent bowl (72*, 73) | T |

*72 Series auto drain is available only with long bowl option.

*Outlet pressure can be adjusted to pressures in excess of, and less than, those specified. Do not use these units to control pressures outside of the specified ranges.

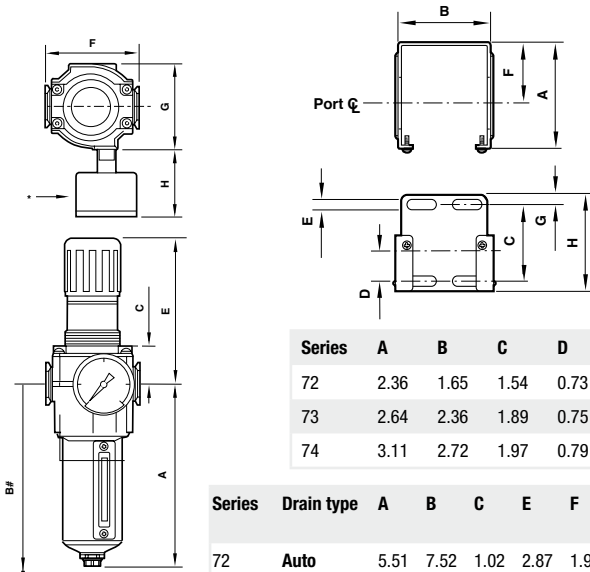
** 250 psig (17 bar) outlet pressure range units are available with t-handle adjustment only and standard metal bowl options.

Accessories

| | Wall mounting bracket* | Neck mounting bracket | Gauge 0 ... 160 psig | Panel nut | Tamper resistant cover and seal wire | Pipe adapters (quantity of 1) (NPT) | Quikclamp® (quantity of 1) | Quikclamp® and wall bracket (quantity of 1) | Replacement elements |
|------|------------------------|-----------------------|----------------------|-----------|--------------------------------------|--|----------------------------|---|---------------------------------|
| B72G | 4224-50 | 74316-50 | 18-013-212 | 4248-89 | 4255-51 | 4215-02 (1/4) 4215-03 (3/8) | 4214-51 | 4214-52 | 5925-03 (5µm) 5925-02 (40µm) |
| B73G | 4424-50 | 4461-50 | 18-013-209 | 5191-88 | 4455-51 | 4315-01 (1/4) 4315-02 (3/8) 4315-03 (1/2) 4315-04 (3/4) | 4314-51 | 4314-52 | 4438-01 (5µm) 4438-03 (40µm) |
| B74G | 4324-50 | 4368-51 | 18-013-209 | 4348-89 | 4355-51 | 4315-02 (3/8) 4315-03 (1/2) 4315-04 (3/4) | 4314-51 | 4314-52 | 4338-04 (5µm) 4338-05 (40µm) |

* Bracket kit does not include wall mounting screws.

Mounting bracket

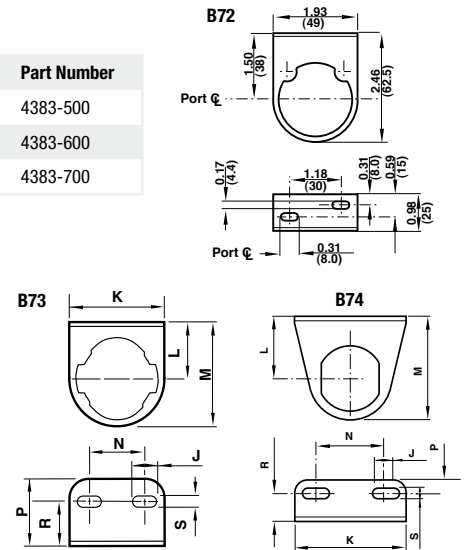


*Optional gauge.
Minimum clearance required to remove bowl.

Service kits

| Item | Type | Part Number |
|------|-----------|-------------|
| 72G | Relieving | 4383-500 |
| 73G | Relieving | 4383-600 |
| 74G | Relieving | 4383-700 |

Neck mounting brackets



| Series | J | K | L | M | N | P | R | S | T | V |
|--------|------|------|------|------|------|------|------|------|------|------|
| 72 | 0.31 | 1.93 | 1.50 | 2.50 | 1.18 | 0.94 | - | 0.17 | 0.31 | 0.59 |
| 73 | 0.67 | 2.52 | 1.50 | 2.76 | 1.50 | 1.50 | 0.98 | 0.28 | - | - |
| 74 | 0.94 | 3.50 | 2.05 | 3.39 | 2.20 | 1.38 | 0.91 | 0.28 | - | - |

Typical performance characteristics

