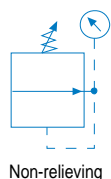
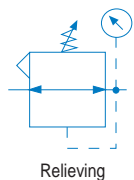


# Regulator R26



## Features

- Non-rising adjustment knob with friction lock knob.
- Standard with two full flow 1/4" NPT/BSPT-Rc gauge ports.
- Panel mount nut.
- High flow capacity.
- Balanced valve design for excellent regulation characteristics.

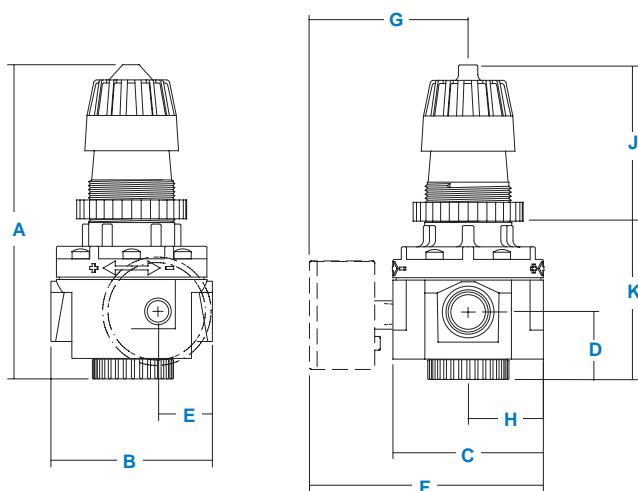
## Specifications

Flow Capacity*	1/4	112 scfm (53 dm <sup>3</sup> /s)
	3/8	148 scfm (70 dm <sup>3</sup> /s)
	1/2	185 scfm (87 dm <sup>3</sup> /s)
Maximum Operating Temperature	175°F (79°C)	
Maximum Supply Pressure	300 psig (21 bar)	
Adjusting Range Pressure	0-60 psig (0-4,1 bar)	
	0-125 psig (0-8,5 bar)	
	0-250 psig (0-17,1 bar)	
Port Size	NPT/BSPP-G	1/4, 3/8, 1/2
Gauge Port (2 ea.)	NPT/BSPT-Rc	1/4
Weight	lb. (kg)	2.5 (1,34)

\*Inlet pressure 100 psig (7 bar). Secondary pressure 90 psig (6 bar).

## Materials of Construction

Body	Zinc
Bonnet	PBT
Diaphragm	Nitrile/Zinc
Valve Assembly	Brass/Nitrile/Acetal
Springs	Steel
Seals	Nitrile
Panel Nut	Acetal



**NOTE:** 1.88" Dia. (47.8 mm) hole required for panel nut mounting

## Dimensions

Models	Inches mm	A	B	C	D	E	F	G	H	J	K
Standard Unit R26-XX-000		6.48 165	3.35 85	3.10 79	1.35 34	1.13 28.7	— —	— —	1.55 39.4	3.3 82.6	3.18 82.4
With Gauge R26-XX-G00		6.48 165	3.35 85	3.10 79	1.35 34	1.13 28.7	4.80 122	3.13 79.5	1.55 39.4	3.3 82.6	3.18 82.4

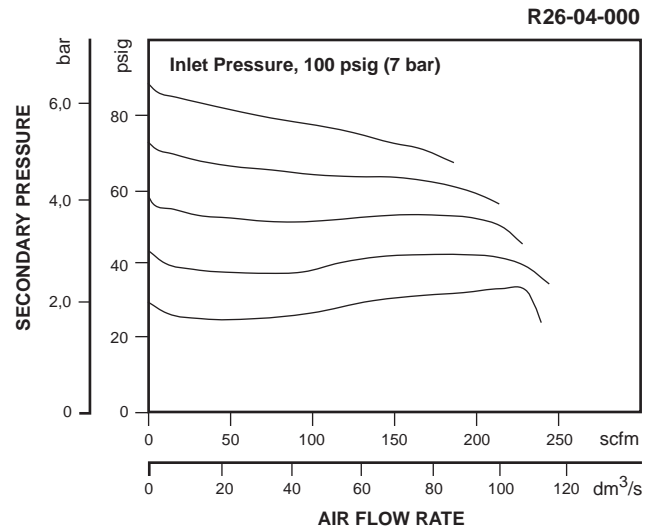
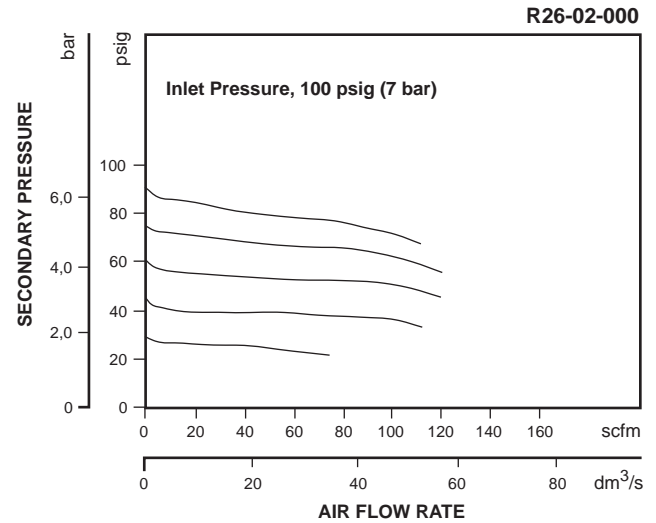
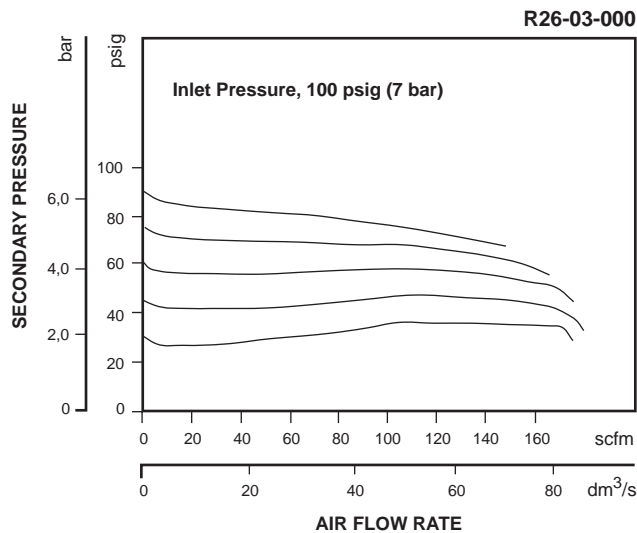
## Replacement Kits

Diaphragm Assembly, Non-relieving .....	RRP-96-332
Diaphragm Assembly, Self-relieving .....	RRP-96-238
Knob, Adjusting (Series A)—used on units with plastic bonnets .....	RRP-95-023
Spring, Regulating, 0-60 psig (0-4,1 bar) .....	RRP-95-962
Spring, Regulating, 0-125 psig (0-8,6 bar) .....	GRP-95-225
Spring, Regulating, 0-250 psig (0-17,2 bar) .....	RRP-95-219
Valve Assembly (Series A)—Valve, Valve Spring, Bottom Plug O-ring .....	RRP-96-294

## Accessories

Wall Mounting Bracket, Gauge Port Adapter, 1/4 NPT .....	RRP-95-590
Wall Mounting Bracket, C-Type .....	GPA-95-051
Wall Mounting Bracket, C-Type .....	RPA-95-947
Wall Mounting Bracket, L-Type—Heavy Duty .....	GPA-95-956
Gauge, Pressure, 0-60 psig (0-4 bar), 2 Dial Face, 1/4 NPT, CBM .....	RRP-95-230
Gauge, Pressure, 0-160 psig (0-11 bar) 2 Dial Face, 1/4 NPT, CBM .....	GRP-95-229
Gauge, Pressure, 0-300 psig (0-20 bar) 2 Dial Face, 1/4 NPT, CBM .....	RRP-95-231
Nut, Panel Mount, Plastic .....	RRP-95-954
Tamper Resistant Kit (Series A), Ring Style used on plastic bonnets .....	RPA-95-006

For best performance, regulated pressure should always be set by increasing the pressure up to the desired setting.



## Ordering Information

Model Type	Port Size	Without Gauge	Without Gauge	Without Gauge	With Gauge	With Gauge	With Gauge
		5-125 psig (0,4-8,5 bar)	10-250 psig (0,7-17 bar)	3-60 psig (0,2-4,1 bar)	5-125 psig (0,4-8,5 bar)	10-250 psig (0,7-17 bar)	3-60 psig (0,2-4,1 bar)
Relieving	1/4	R26-02-000	R26-02-H00	R26-02-L00	R26-02-G00	R26-02-GH0	R26-02-GL0
	3/8	R26-03-000	R26-03-H00	R26-03-L00	R26-03-G00	R26-03-GH0	R26-03-GL0
	1/2	R26-04-000	R26-04-H00	R26-04-L00	R26-04-G00	R26-04-GH0	R26-04-GL0
Non-relieving	1/4	R26-02-N00	R26-02-HN0	R26-02-LN0	R26-02-GN0	R26-02-GHN	R26-02-GLN
	3/8	R26-03-N00	R26-03-HN0	R26-03-LN0	R26-03-GN0	R26-03-GHN	R26-03-GLN
	1/2	R26-04-N00	R26-04-HN0	R26-04-LN0	R26-04-GN0	R26-04-GHN	R26-04-GLN

**Options** - To order an option supplied with the unit model, add the appropriate coded suffix letter in position 6, 7, 8 of the model number.  
For additional information on accessories and repair kits refer to pages 326 through 334.