

Clamps

Three Segment - 13MHHM-3P

Tube OD	Service Pressure PSI Rating @ 70°F (21°C) ¹	Service Pressure PSI Rating @ 250°F (121°C) ¹	Dimension A	Stainless Steel Part #
1" - 1½"	600	300	2.122"	13MHHM-3P100150
2"	550	275	2.654"	13MHHM-3P200
2½"	450	225	3.185"	13MHHM-3P250
3"	350	175	3.717"	13MHHM-3P300
4"	300	150	4.820"	13MHHM-3P400
12"	75	50	12.740"	13MHHM-3P1200

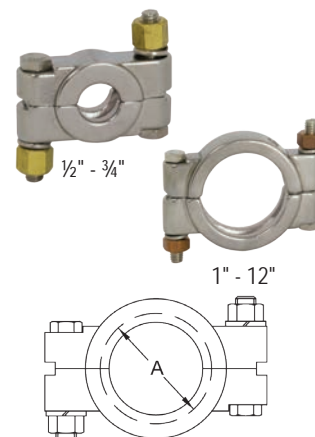
¹ wing nut tightened to 25 in. lb. of torque

Sanitary
Fittings

Bolted - 13MHP

Tube OD	Service Pressure PSI Rating @ 70°F (21°C) ¹	Service Pressure PSI Rating @ 250°F (121°C) ¹	Dimension A	Stainless Steel Part #
½" - ¾"	1500	1200	1.062"	13MHP75
1" - 1½"	1500	1200	2.046"	13MHP100-150
2"	1000	800	2.578"	13MHP200
2½"	1000	800	3.110"	13MHP250
3"	1000	800	3.640"	13MHP300
4"	800	600	4.744"	13MHP400
6"	300	200	6.632"	13MHP600
8"	250	150	8.638"	13MHP800
10"	200	125	10.740"	13MHP1000
12"	150	100	12.740"	13MHP1200

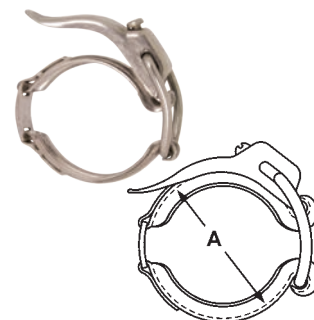
¹ all nuts are tightened to 20 ft. lbs. of torque



Toggle - 13MHLA

Tube OD	Service Pressure PSI Rating @ 70°F (21°C) ¹	Service Pressure PSI Rating @ 250°F (121°C) ¹	Dimension A	304 Stainless Steel Part #
1" - 1½"	150	125	2.122"	13MHLA100-150
2"	150	125	2.654"	13MHLA200
2½"	150	125	3.185"	13MHLA250
3"	150	125	3.717"	13MHLA300
4"	100	75	4.820"	13MHLA400

¹ screw tightened to maximum



T-bolt - 13MO

Tube OD	Service Pressure PSI Rating @ 70°F (21°C) ¹	Service Pressure PSI Rating @ 250°F (121°C) ¹	Dimension A	304 Stainless Steel Part #
1" - 1½"	500	250	2.080"	13MO100-150
2"	350	200	2.610"	13MO200
2½"	300	150	3.140"	13MO250
3"	200	100	3.670"	13MO300
4"	100	75	4.780"	13MO400
6"	75	50	6.690"	13MO600
8" ²	50	40	8.690"	13MO800
10" ²	40	30	10.690"	13MO1000
12" ²	30	25	12.690"	13MO1200

¹ 1" - 3" nuts tightened to 20 in. lb., 4" nut tightened to 30 in. lb., 6" nut tightened to 40 in. lb. and 8" - 12" nuts tightened to 50 in. lb. of torque

² 2 bolt configuration

