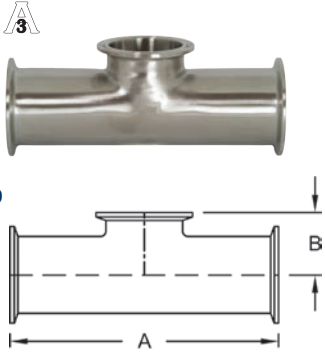


Clamp Fittings - Tees

Short Outlet - B7MPS

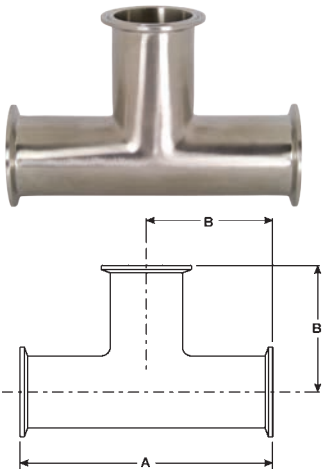
Sanitary Fittings



Tube OD	A	B	304 Stainless Steel Part Number	316L Stainless Steel Part Number
1½"	5.500"	1.375"	<b>B7MPS-G150</b>	<b>B7MPS-R150</b>
2"	7.000"	1.625"	<b>B7MPS-G200</b>	<b>B7MPS-R200</b>
2½"	7.000"	1.875"	<b>B7MPS-G250</b>	<b>B7MPS-R250</b>



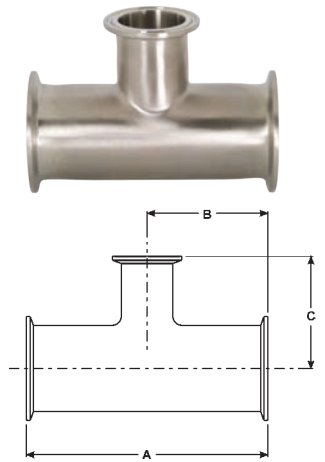
Clamp Tees - B7MP



Tube OD	Dimensions		304 Stainless Steel Part #	316L Stainless Steel Part #
	A	B		
½"	4.750"	2.375"	---	<b>B7MP-R50</b>
¾"	5.000"	2.500"	---	<b>B7MP-R75</b>
1"	4.750"	2.375"	<b>B7MP-G100</b>	<b>B7MP-R100</b>
1½"	5.500"	2.750"	<b>B7MP-G150</b>	<b>B7MP-R150</b>
2"	7.000"	3.500"	<b>B7MP-G200</b>	<b>B7MP-R200</b>
2½"	7.000"	3.500"	<b>B7MP-G250</b>	<b>B7MP-R250</b>
3"	7.500"	3.750"	<b>B7MP-G300</b>	<b>B7MP-R300</b>
4"	9.000"	4.500"	<b>B7MP-G400</b>	<b>B7MP-R400</b>
6"	13.000"	6.500"	<b>B7MP-G600</b>	<b>B7MP-R600</b>
8"	15.750"	7.875"	<b>B7MP-G800</b>	<b>B7MP-R800</b>



Reducing - B7RMP



Tube OD	Dimensions			304 Stainless Steel Part #	316L Stainless Steel Part #
	A	B	C		
1" x ¾"	5.250"	2.625"	2.625"	---	<b>B7RMP-R10075</b>
1½" x ½"	5.750"	2.875"	2.875"	---	<b>B7RMP-R15050</b>
1½" x 1"	4.312"	2.156"	1.875"	---	<b>B7RMP-R150100</b>
2" x ½"	6.750"	3.375"	3.125"	---	<b>B7RMP-R20050</b>
2" x ¾"	6.750"	3.375"	3.125"	---	<b>B7RMP-R20075</b>
2" x 1"	5.125"	2.562"	2.125"	<b>B7RMP-G200100</b>	<b>B7RMP-R200100</b>
2" x 1½"	5.125"	2.562"	2.406"	<b>B7RMP-G200150</b>	<b>B7RMP-R200150</b>
2½" x 1½"	5.688"	2.844"	2.656"	<b>B7RMP-G250150</b>	<b>B7RMP-R250150</b>
2½" x 2"	5.688"	2.844"	2.812"	<b>B7RMP-G250200</b>	<b>B7RMP-R250200</b>
3" x 1½"	6.188"	3.093"	2.906"	<b>B7RMP-G300150</b>	<b>B7RMP-R300150</b>
3" x 2"	6.188"	3.093"	3.063"	<b>B7RMP-G300200</b>	<b>B7RMP-R300200</b>
4" x 1½"	8.125"	4.063"	3.406"	<b>B7RMP-G400150</b>	---
4" x 2"	8.125"	4.063"	3.563"	<b>B7RMP-G400200</b>	---