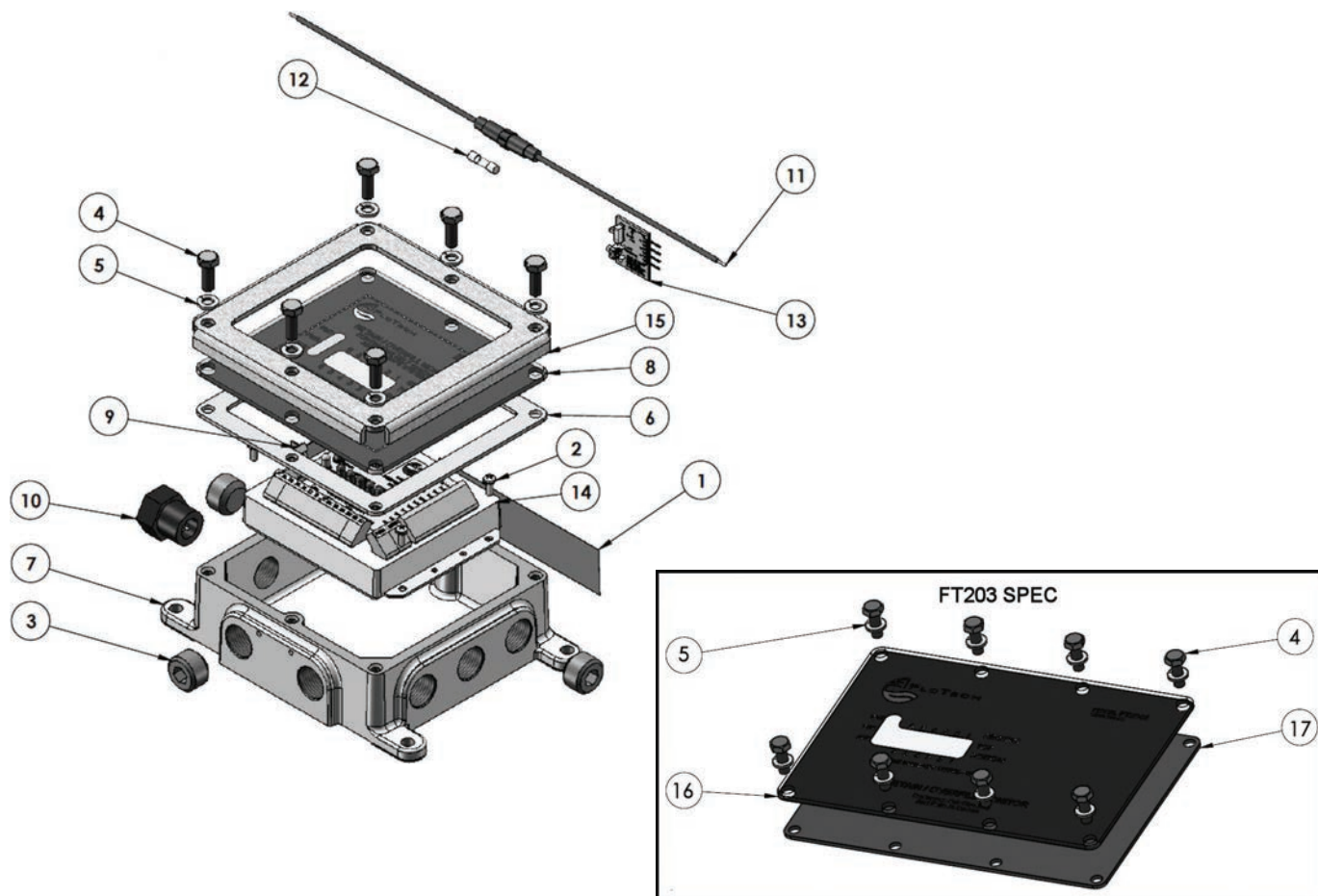


FT203/FT204 Series R/OM Type Red & Black 2 Wire, Onboard Monitor



Bill of Materials

Item #	Description	Part #	FT203	FT203SPEC	FT204
1	chrome mylar label	10078	n/a	n/a	1
2	stainless steel screw	10086	4	4	4
3	polypropylene pipe plug	10103	n/a	n/a	3
4	stainless steel screw	10110	6	8	6
5	stainless steel lock washer - 1/4"	10111	6	8	6
6	neoprene gasket	10131 (was FT9053)	1	n/a	1
7	aluminum onboard monitor housing	10136	n/a	n/a	1
8	acrylic bezel	10143 (was FT9006)	1	n/a	1
9	jumper - cross connector	10196	1	1	1
10	reset switch assembly	10200A	n/a	n/a	1
11	plastic fuse holder	10356	1	1	1
12	brass/glass fuse - 1/2 amp	10358 (was FT9039)	1	1	1
13	programming board assembly	10459 (was FT9035)	1	1	1
14	OBM assy potted	10460	1	1	1
15	aluminum frame lid	10470AL (was FT9054)	1	n/a	1
16	bezel for Civacon 3250 & 3252 boxes	10520PL	n/a	1	n/a
17	neoprene gasket for 10520PL	10521NP (was FT9065)	n/a	1	n/a

Repair Kits

Part #	Description	Includes Item #
FT9003	replacement monitor housing	2-8, 15
FT9004	replacement monitor hardware kit	4-6, 8, 15
FT9031	replacement fuse holder with 1/2 amp fuse	11, 12
FT9059	replacement faceplate and bezel for FT204	4, 5, 6, 8, 15
FT9064	replacement gasket and bezel for FT203 SPEC	16, 17

Product instruction sheets and technical data can be viewed on our website at dixongroupcanada.com by selecting the 'Resources' menu.