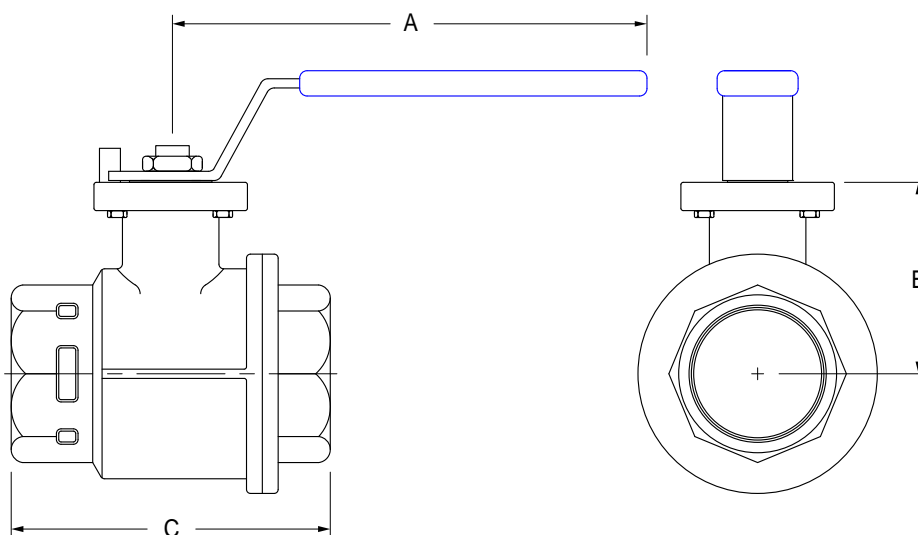


## 2 Piece Industrial Brass Ball Valves

### Features:

- full port brass ball valves with FNPT ends
- blow-out proof stem
- ISO 5211 mounting pad
- PTFE seats
- private label handle covers available, see page 652
- maximum pressure: **600 PSI WOG**
- maximum temperature: **320°F (160°C)**


**M**

Size	A	B	C	Break Torque (in-lbs.)	Weight (lbs.)	Brass Part Number
1/2"	4.40	1.51	2.16	86	0.86	<b>BV2BV-05011-A</b>
3/4"	4.40	1.63	2.80	149	0.91	<b>BV2BV-07511-A</b>
1"	5.40	1.76	3.23	193	1.55	<b>BV2BV-10011-A</b>
1 1/4"	7.30	2.13	3.58	290	2.14	<b>BV2BV-12511-A</b>
1 1/2"	7.80	2.32	4.06	470	3.71	<b>BV2BV-15011-A</b>
2"	7.80	2.65	4.76	634	5.52	<b>BV2BV-20011-A</b>
2 1/2"	10.40	3.84	6.22	699	8.83	<b>BV2BV-25011-A</b>
3"	10.40	4.17	7.40	722	13.29	<b>BV2BV-30011-A</b>
4"	12.80	4.76	8.74	1472	18.32	<b>BV2BV-40011-A</b>

All dimensions are in inches unless otherwise noted. Engineering dimensions are available upon request. Specifications are subject to change without notice.