

## Butterfly Valves

### Two-Piece Aluminum Body with Stainless Steel Disc and White Buna N Seals



3-390-828501

**Features:**

- two-piece valves are designed specifically for pneumatic conveying and abrasive applications
- The seat ID matches the ID of Schedule 40 pipe, resulting in smoother product flow
- two-piece split body design simplifies field maintenance by eliminating the need for special tools

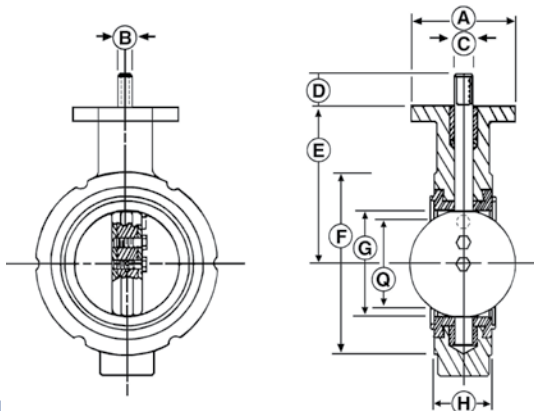
Valve Size	Flanges Required	Complete Valve Part # <sup>1</sup>	Aluminum Handle Kit Part #	Iron Handle Kit Part #	Replacement Stainless Disc Part #	Replacement Black Buna Seat Part #
3"	125/150# flange	<b>3-390-828501</b>	206-23-5	237-23-10	3-390-209F	3-400-422501
4"	125/150# flange	<b>4-390-828U501</b>	206-46-5	237-46-10	4-390-209U	4-400-422501
5"	125/150# flange	<b>5-390-828U501</b>	206-46-5	237-46-10	5-390-209U	5-400-422501
6"	125/150# flange	<b>6-390-828U501</b>	400-206-65	400-237-610	6-390-209U	6-390-393501

<sup>1</sup> Handle kits are sold separately, choose aluminum or iron (aluminum handles have 5 open positions; iron handles have 10 open positions)

### Butterfly Valve Replacement Parts

Part #	Description
<b>2-400-422240</b>	replacement stainless steel valve stem for 2" valve
<b>3-400-422240</b>	replacement stainless steel valve stem for 3" valve
<b>4-400-422240</b>	replacement stainless steel valve stem for 4" valve
<b>5-400-422240</b>	replacement stainless steel valve stem for 5" valve
<b>6-400-422240</b>	replacement stainless steel valve stem for 6" valve
<b>2-3-400-99-BPKIT</b>	bushing and packing kit for 2" and 3" valves
<b>4-6-400-99-BPKIT</b>	bushing and packing kit for 4", 5" and 6" valves (not for 6" 2-piece valve 6-390-828U501)
<b>6-99-400BPKIT</b>	bushing and packing kit for 6" (6-390-828U501)
<b>2-3-213</b>	stainless screw sets for 2" and 3" valves
<b>4-5-6-213</b>	stainless screw sets for 4", 5" and 6" valves

### Butterfly Valve Dimensions



Size	A	B	C	D	E	F	G	H	Q	lbs.
2"	4.000	0.375	0.563	1.250	3.938	4.125	2.125	1.625	1.688	3
3"	4.000	0.375	0.563	1.250	4.875	5.375	3.125	1.750	2.875	5
4"	4.000	0.438	0.625	1.250	6.000	6.875	4.125	2.000	3.875	8
5"	4.000	0.438	0.625	1.250	6.000	7.625	5.188	2.125	5.000	9
6"	4.000	0.438	0.625	1.250	6.625	8.750	6.125	2.125	6.000	9
8"	6.000	0.500	0.750	1.250	8.313	11.000	8.125	2.500	8.000	--
10"	6.000	0.625	0.875	1.250	9.125	13.375	10.125	2.500	10.000	--

- All dimensions are given in inches
- "Q" dimension is the minimum allowable inside diameter of the pipe or mating flange

T

Product instruction sheets and technical data can be viewed on our website at [dixongroupcanada.com](http://dixongroupcanada.com) by selecting the 'Resources' menu.