



The Right Connection®

# BOSS LPS

## Low Pressure Systems

Products designed specifically for the oil and gas industry

### One-Piece 150# Flange To Weld Adapter

#### Application:

- used on a 12" pipe manifold to transfer water, brine, water-based chemicals, water-based acids or gelatinous proppant (sand) slurry at hydraulic fracturing sites

#### Features:

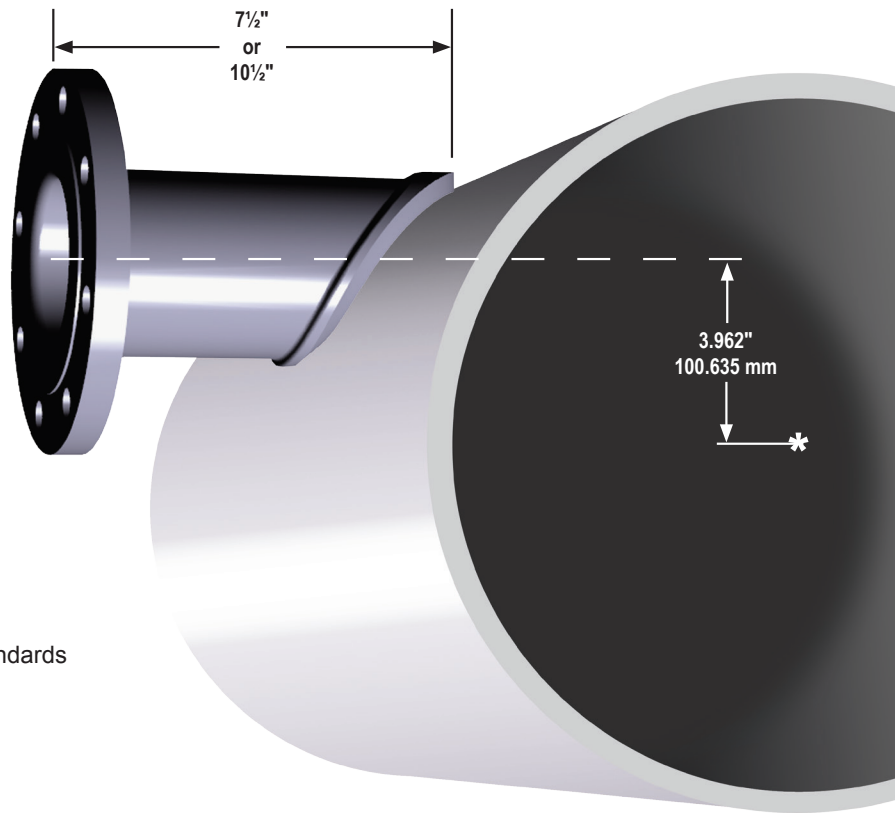
- no welds or pipe threads to deteriorate causing premature leakage
- easy to weld to 12" pipe manifolds
- formed butt weld provides accurate alignment
- the 4" 150 lb. flange is compatible with other reliable brands

#### Material:

- WCA (weldable cast steel, grade A) meeting ASTM standards

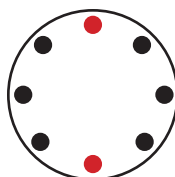
#### Sizes:

- 7½" and 10½" lengths standard

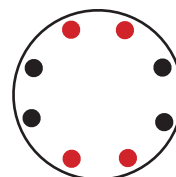


Size	Part #	Description
7½"	<b>WA4FL12X750-1</b>	150# flange x weld adapter, 1 hole
7½"	<b>WA4FL12X750-2</b>	150# flange x weld adapter, 2 holes
10½"	<b>WA4FL12X1050-1</b>	150# flange x weld adapter, 1 hole
10½"	<b>WA4FL12X1050-2</b>	150# flange x weld adapter, 2 holes

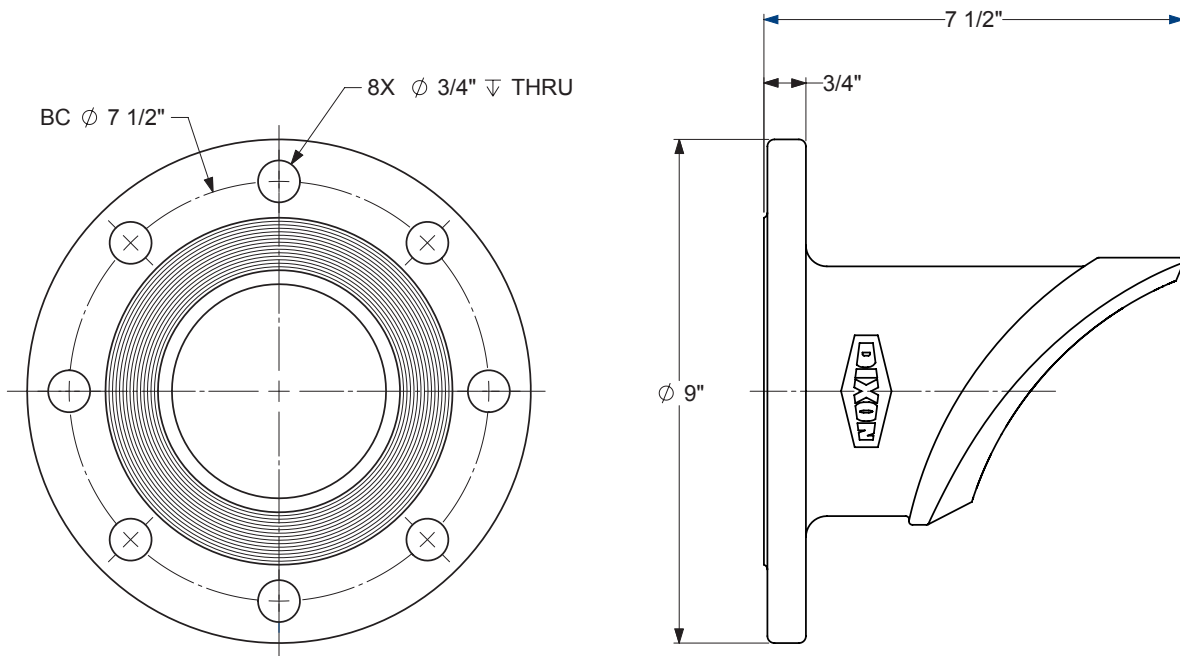
1-Hole Pattern



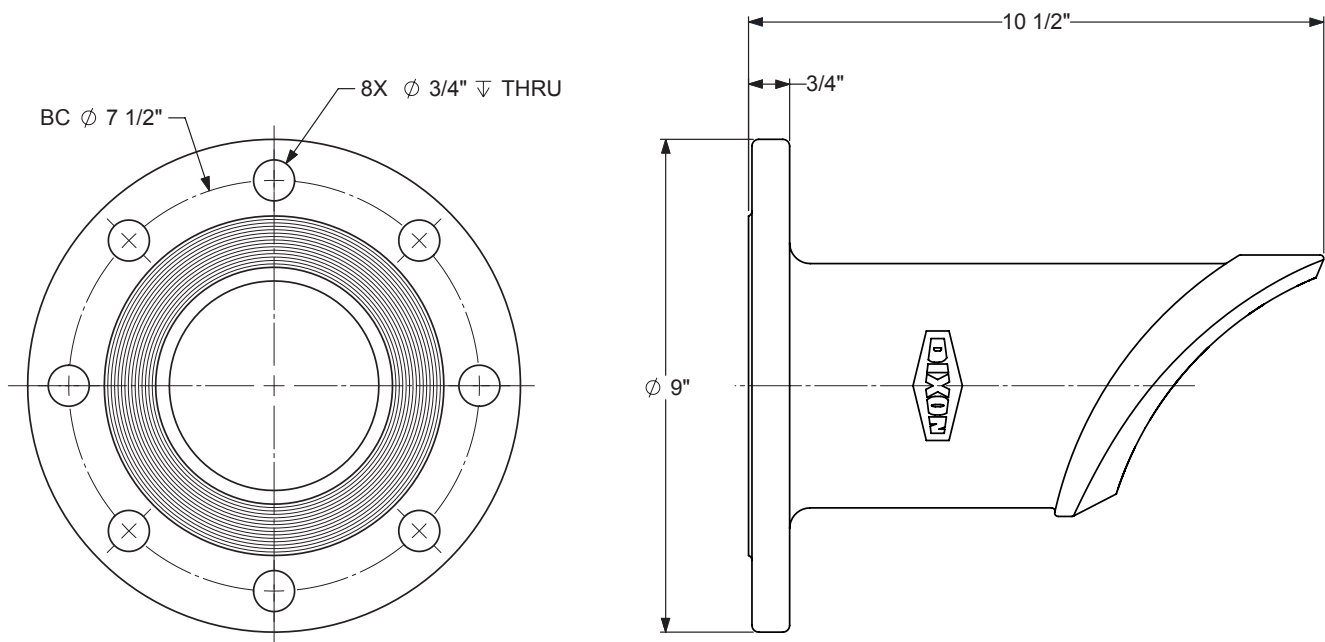
2-Hole Pattern



## 7 1/2" 150# Flange To Weld Adapter Dimensions



## 10 1/2" 150# Flange To Weld Adapter Dimensions



connect with us on



**Dixon**

ph 877.963.4966

fx 800.283.4966

sales@dixonvalve.com

dixonvalve.com

scan to visit our website

