

PROPRIETARY AND CONFIDENTIAL

This drawing is owned by Dixon Valve & Coupling Co. and shall be returned upon demand. It is loaned on condition that it shall not be copied or reproduced or submitted to others without the owners consent. In accepting it subject to this condition the recipient further agrees that this drawing or any design detail or concept disclosed herein shall not be used in any way detrimental to or in competition with the owner. If the recipient does not agree to the terms of this agreement they shall return this drawing immediately. The information contained in this drawing is subject to change without notice.

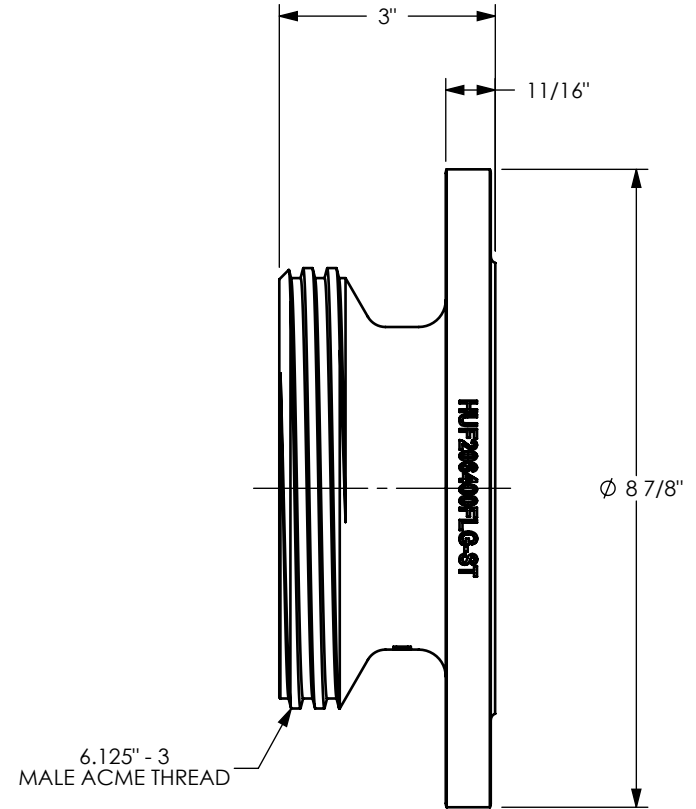
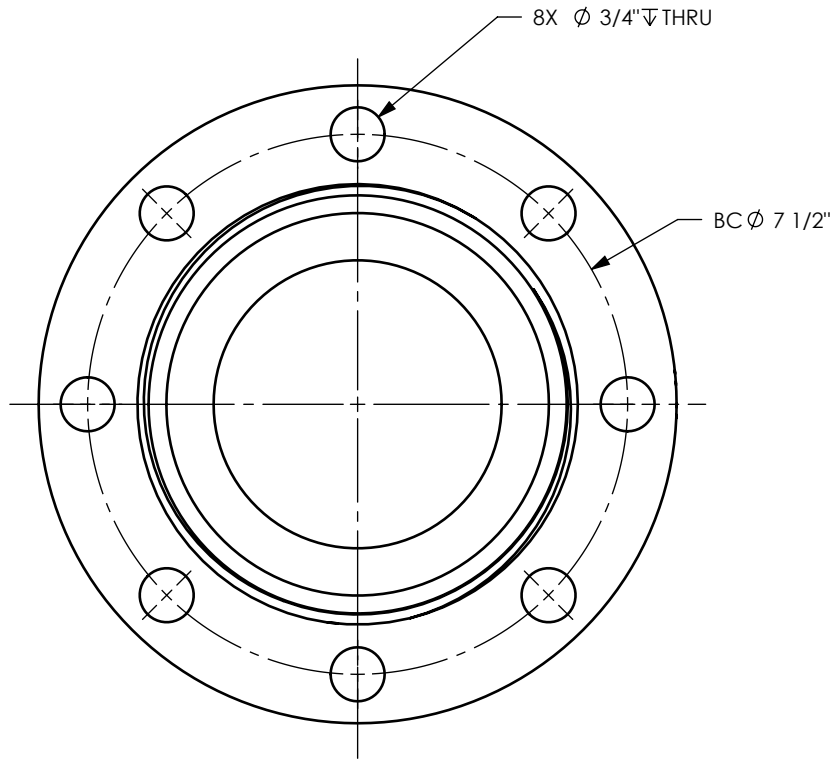
DO NOT SCALE THIS DRAWING

DIXON  **U.S.A.**
THE RIGHT CONNECTION™

TITLE:
4" FLANGE x 206 SERIES FEMALE HAMMER UNION ADAPTER

MATERIAL:
IRON

PART NUMBER:
HUF206400FLG



The Right Connection™

PROPRIETARY AND CONFIDENTIAL

This drawing is owned by Dixon Valve & Coupling Co. and shall be returned upon demand. It is loaned on condition that it shall not be copied or reproduced or submitted to others without the owners consent. In accepting it subject to this condition the recipient further agrees that this drawing or any design detail or concept disclosed herein shall not be used in any way detrimental to or in competition with the owner. If the recipient does not agree to the terms of this agreement they shall return this drawing immediately. The information contained in this drawing is subject to change without notice.

DO NOT SCALE THIS DRAWING

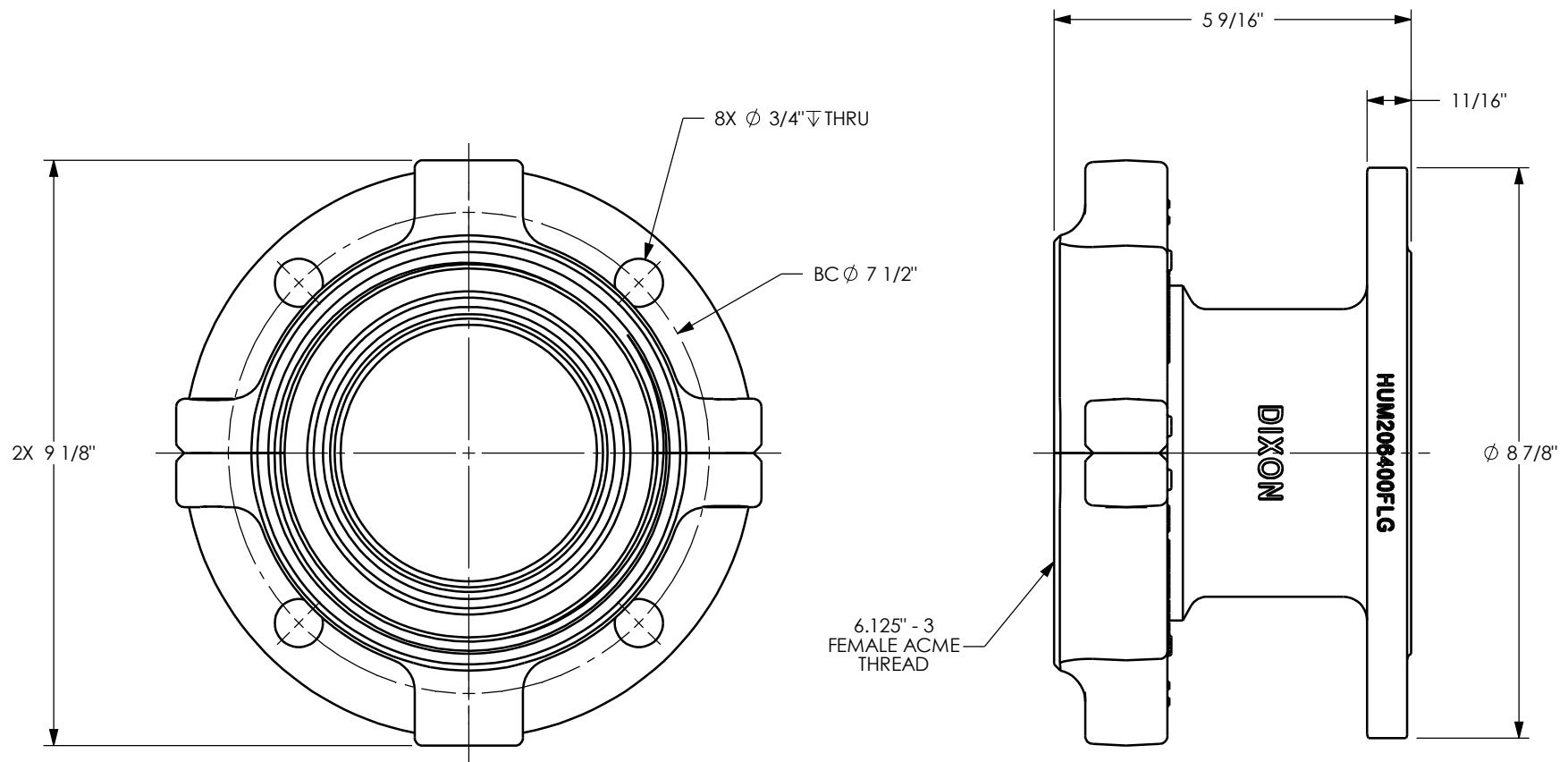
DIXON  U.S.A.

THE RIGHT CONNECTION™

TITLE:
4" FLANGE x SHORT 206 SERIES FEMALE HAMMER UNION ADAPTER

MATERIAL:
IRON

PART NUMBER:
HUF206400FLG-ST



PROPRIETARY AND CONFIDENTIAL

This drawing is owned by Dixon Valve & Coupling Co. and shall be returned upon demand. It is loaned on condition that it shall not be copied or reproduced or submitted to others without the owners consent. In accepting it subject to this condition the recipient further agrees that this drawing or any design detail or concept disclosed herein shall not be used in any way detrimental to or in competition with the owner. If the recipient does not agree to the terms of this agreement they shall return this drawing immediately. The information contained in this drawing is subject to change without notice.

DO NOT SCALE THIS DRAWING

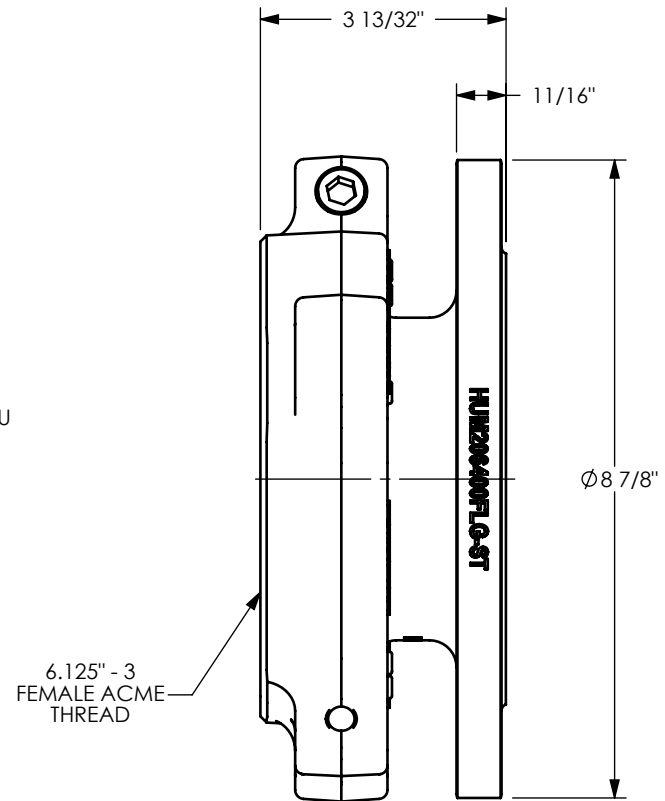
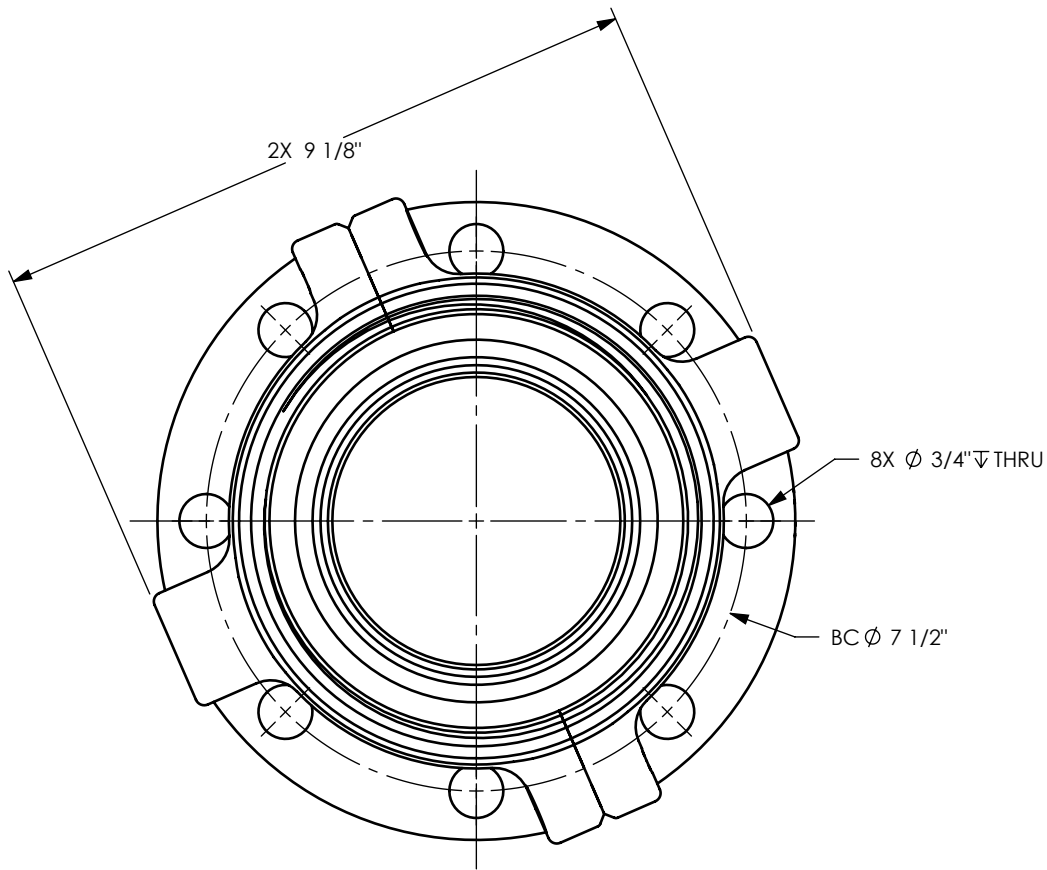
DIXON U.S.A.

THE RIGHT CONNECTION™

TITLE: 4" FLANGE x 206 SERIES MALE HAMMER UNION ADAPTER
with REPAIR NUT

MATERIAL: IRON ADAPTER with PAINTED STEEL NUT

PART NUMBER: **HUM206400FLG**



The Right Connection™

PROPRIETARY AND CONFIDENTIAL

This drawing is owned by Dixon Valve & Coupling Co. and shall be returned upon demand. It is loaned on condition that it shall not be copied or reproduced or submitted to others without the owners consent. In accepting it subject to this condition the recipient further agrees that this drawing or any design detail or concept disclosed herein shall not be used in any way detrimental to or in competition with the owner. If the recipient does not agree to the terms of this agreement they shall return this drawing immediately. The information contained in this drawing is subject to change without notice.

DO NOT SCALE THIS DRAWING

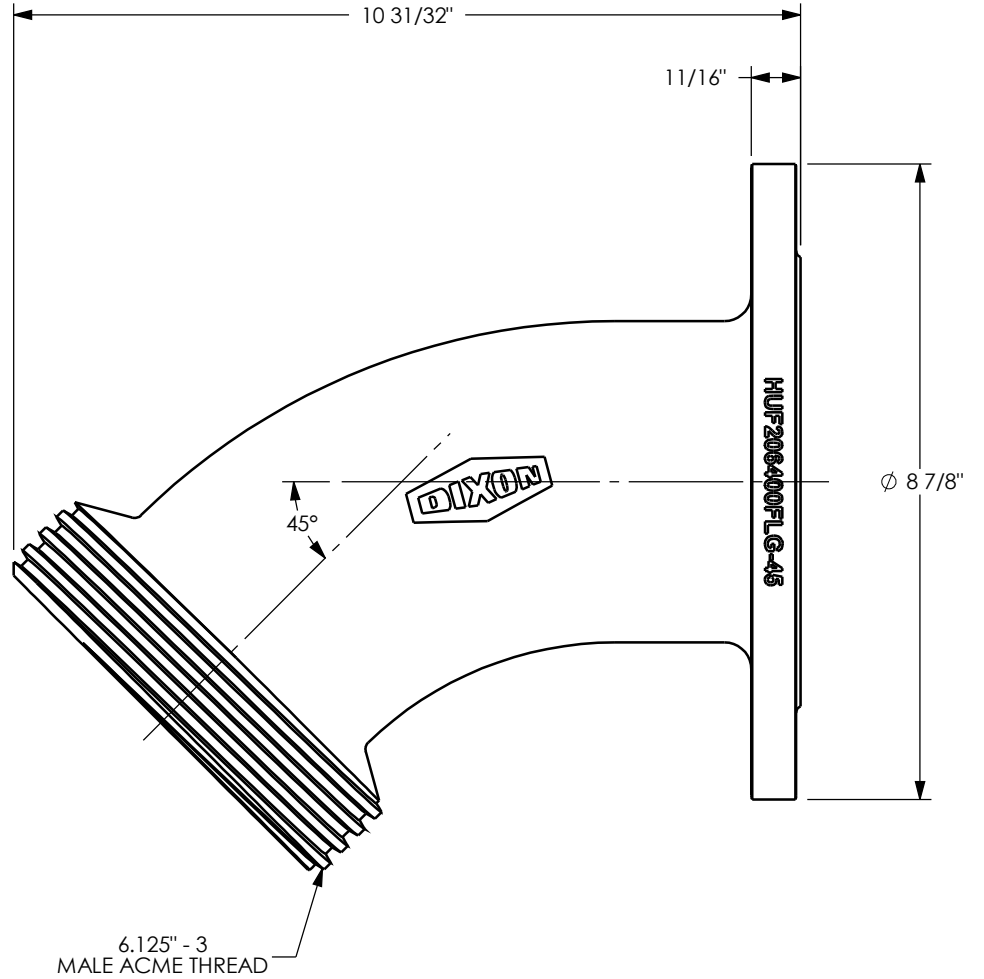
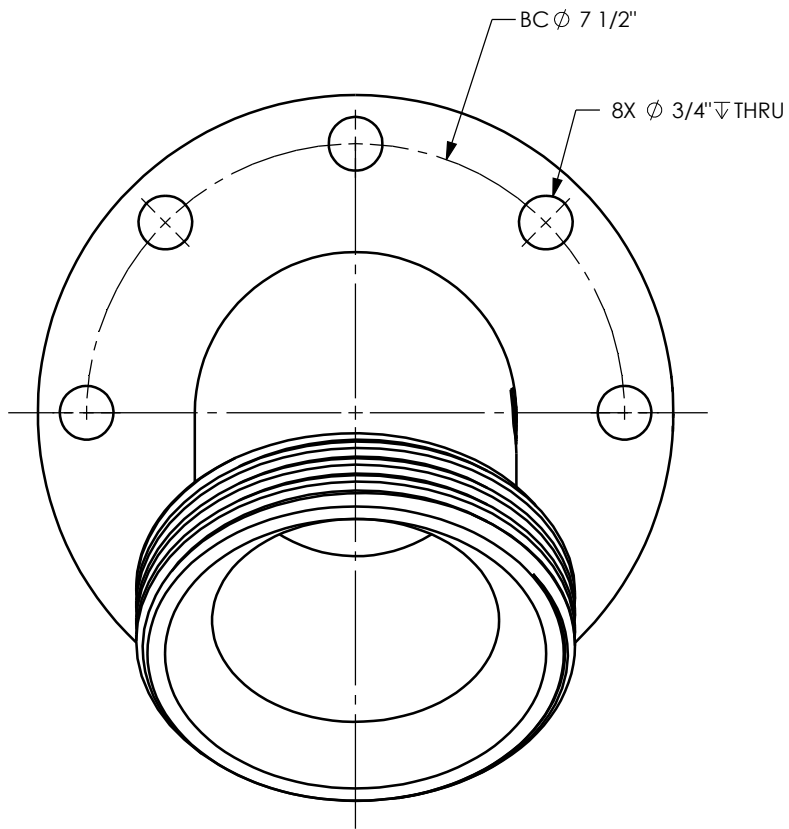
DIXON  U.S.A.

THE RIGHT CONNECTION™

TITLE: 4" FLANGE x SHORT 206 SERIES MALE HAMMER UNION ADAPTER with REPAIR NUT

MATERIAL: IRON ADAPTER with PAINTED STEEL NUT

PART NUMBER: **HUM206400FLG-ST**



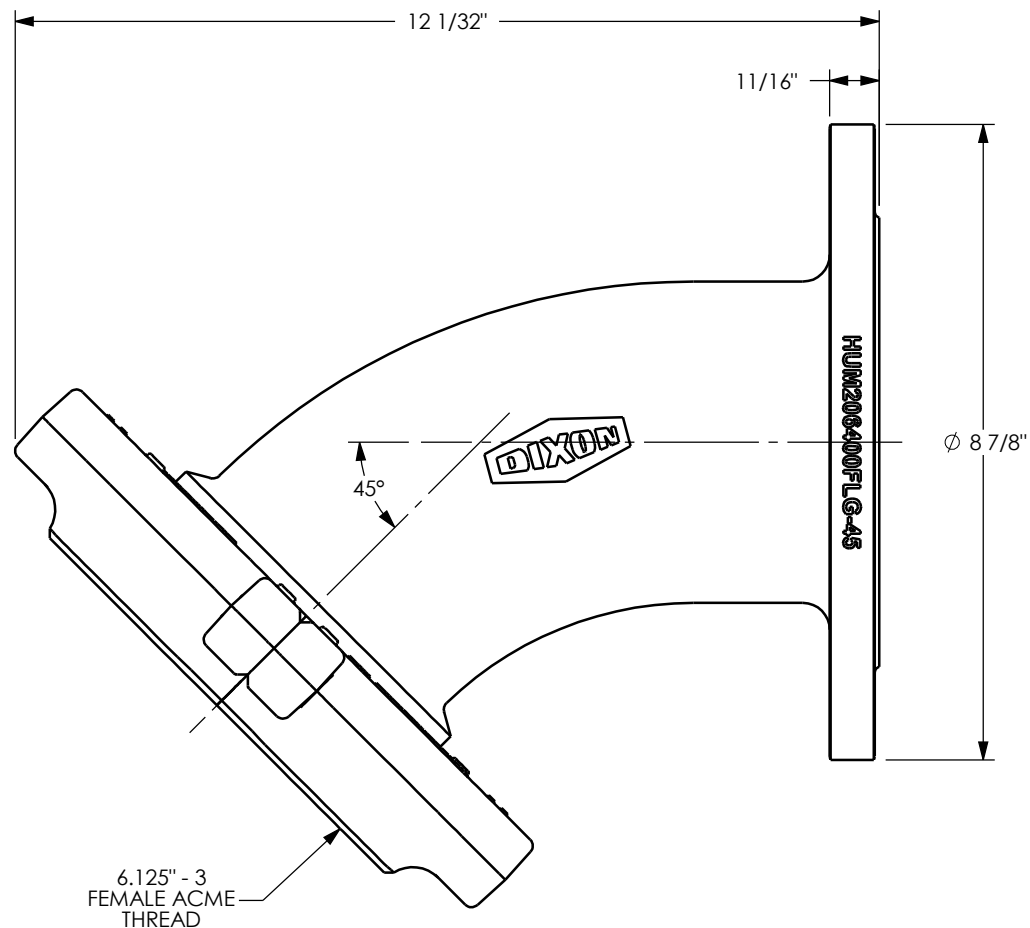
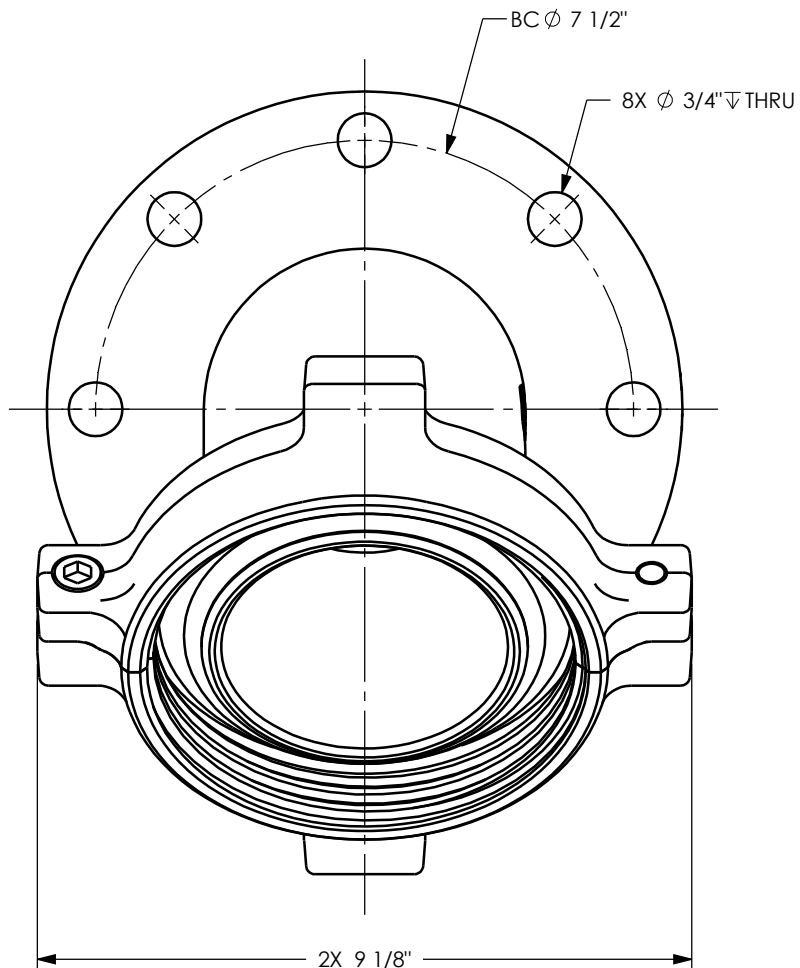
PROPRIETARY AND CONFIDENTIAL

This drawing is owned by Dixon Valve & Coupling Co. and shall be returned upon demand. It is loaned on condition that it shall not be copied or reproduced or submitted to others without the owners consent. In accepting it subject to this condition the recipient further agrees that this drawing or any design detail or concept disclosed herein shall not be used in any way detrimental to or in competition with the owner. If the recipient does not agree to the terms of this agreement they shall return this drawing immediately. The information contained in this drawing is subject to change without notice.

DO NOT SCALE THIS DRAWING

DIXON U.S.A.
THE RIGHT CONNECTION™

TITLE:	4" FLANGE x 45° 206 SERIES FEMALE HAMMER UNION ADAPTER
MATERIAL:	IRON
PART NUMBER:	HUF206400FLG-45



PROPRIETARY AND CONFIDENTIAL

This drawing is owned by Dixon Valve & Coupling Co. and shall be returned upon demand. It is loaned on condition that it shall not be copied or reproduced or submitted to others without the owners consent. In accepting it subject to this condition the recipient further agrees that this drawing or any design detail or concept disclosed herein shall not be used in any way detrimental to or in competition with the owner. If the recipient does not agree to the terms of this agreement they shall return this drawing immediately. The information contained in this drawing is subject to change without notice.

DO NOT SCALE THIS DRAWING

DIXON  **U.S.A.**
THE RIGHT CONNECTION™

TITLE: 4" FLANGE x 45° 206 SERIES MALE HAMMER UNION ADAPTER
with REPAIR NUT

MATERIAL: IRON ADAPTER with PAINTED STEEL NUT

PART NUMBER: **HUM206400FLG-45**